

Friedrich

2006 Parts Manual

Room Air Conditioners

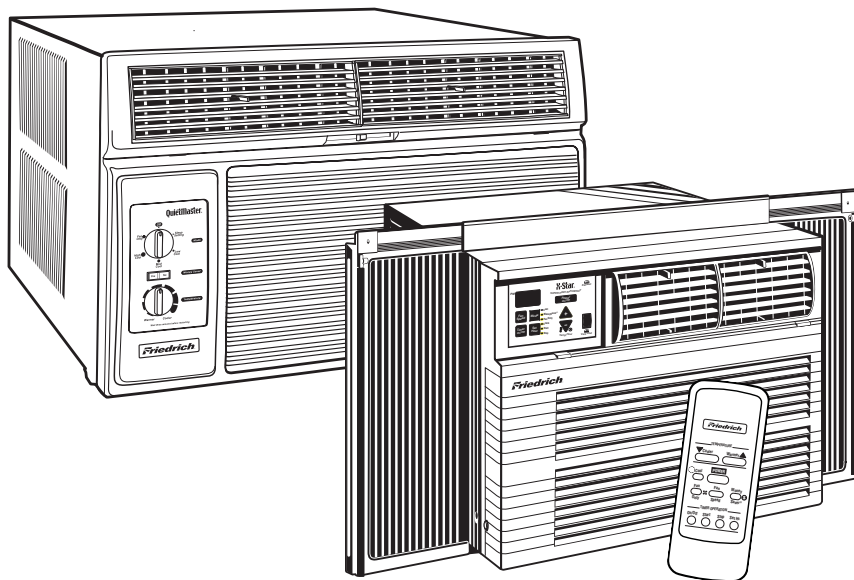
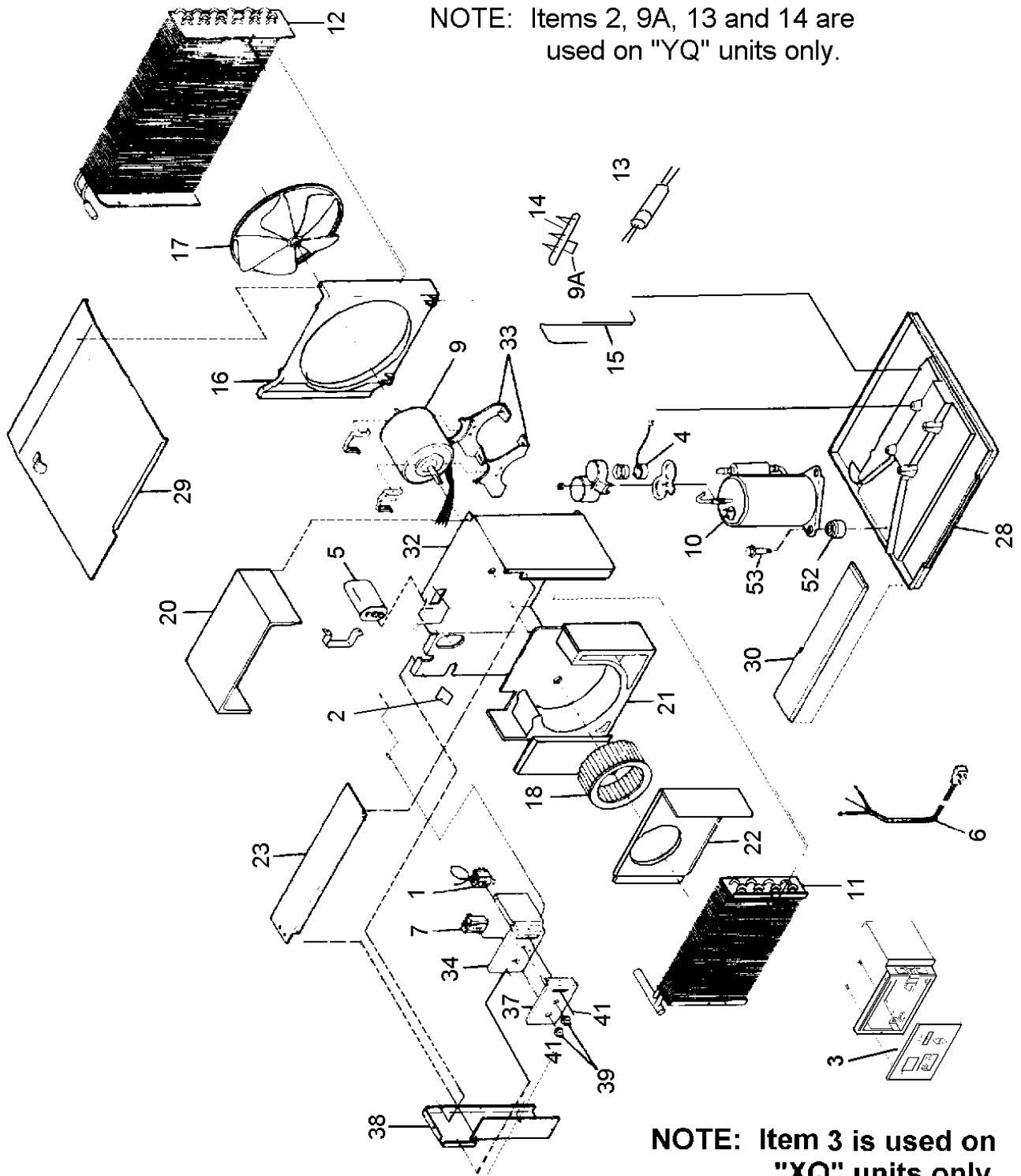


TABLE OF CONTENTS

PORTABLE "Q" SERIES UNITS	4-8
SMALL CHASSIS "S" SERIES UNITS (115 & 230 VOLT)	9-16
MEDIUM CHASSIS "M" SERIES UNITS (115 & 230 VOLT)	17-21
LARGE CHASSIS "L" SERIES UNITS	22-26
CASEMENT "C" SERIES UNITS	27-30

"Q" SERIES CABINET PARTS

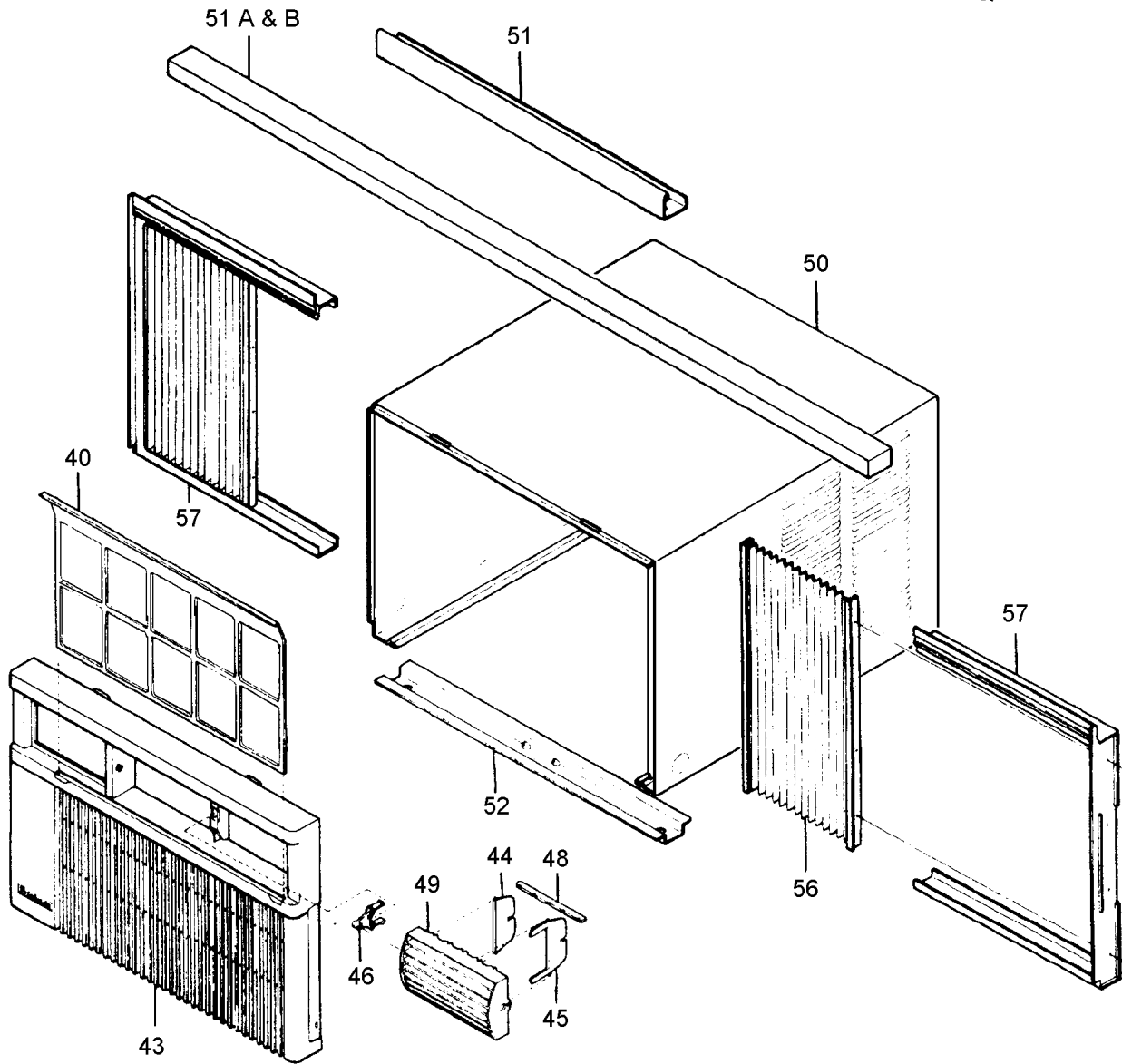
NOTE: Items 2, 9A, 13 and 14 are used on "YQ" units only.



NOTE: Item 3 is used on "XQ" units only.

"Q" SERIES CABINET PARTS

NOTE: Items 51, 56 and 57 are not included with the "YQ" unit.



PORTABLE "Q" SERIES

REF	DESCRIPTION	PART NO#								CODE
			XQ05L10-B	XQ06L10-B	XQ08L10-B	XQ10L10-C	XQ12L10-D	EQ08L11-A	YQ07L10-A	
	ELECTRICAL PARTS									
1	THERMOSTAT	61828401							1	120
1	THERMOSTAT	61822401						1		120
2	THERMOSTAT, DEFROST	60442500							1	122
3	ELECTRONIC BOARD	61921172	1	1	1	1	1			340
*	REMOTE CONTROL	61826605	1	1	1	1	1			350
*	RESISTOR	61900500						1		200
4	OVERLOAD	61764528					1			190
4	OVERLOAD	61764539	1	1						190
4	OVERLOAD	61764526								190
4	OVERLOAD	61764519				1				190
4	OVERLOAD	61764507			1			1	1	190
5	CAPACITOR	61080570					1			150
5	CAPACITOR	61080550	1	1	1			1	1	150
5	CAPACITOR	61080528				1				150
6	SUPPLY CORD	60500160					1			220
6	SUPPLY CORD	60500170	1	1	1	1		1	1	220
7	SWITCH ROTARY 6 POS	60441607							1	130
7	SWITCH ROTARY 6 POS	60441610						1		130
*	HEATER	61929601						1		193
9	FAN MOTOR	61871468					1			110
9	FAN MOTOR	61871451	1	1	1	1				110
9	FAN MOTOR	61871452						1	1	110
9A	SOLENOID, REV. VALVE	25063500							1	240
REF	DESCRIPTION	PART NO#								CODE
	REFRIGERATION SYSTEM PARTS									
			XQ05L10-B	XQ06L10-B	XQ08L10-B	XQ10L10-C	XQ12L10-D	EQ08L11-A	YQ07L10-A	
10	COMPRESSOR	61562832			1			1	1	600
10	COMPRESSOR	61716671				1				600
10	COMPRESSOR	61985100		1						600
10	COMPRESSOR	61985101	1							600
10	COMPRESSOR	61716670					1			600
11	EVAPORATOR COIL	61600257		1					1	400
11	EVAPORATOR COIL	61600258			1			1		400
11	EVAPORATOR COIL	61600268	1							400
11	EVAPORATOR COIL	62050018				1				400
11	EVAPORATOR COIL	62050020					1			400
12	CONDENSER COIL	61600352	1							410
12	CONDENSER COIL	61600519		1	1			1		410
12	CONDENSER COIL	62050319				1				410
12	CONDENSER COIL	61600515							1	410
12	CONDENSER COIL	62103404					1			410
*	DRIER, LIQUID	61481300	1	1	1	1	1	1		480
*	DRIER, SUCTION	61828200							1	480
13	CHECK VALVE	61824400							1	510
14	REVERSING VALVE	25018201							1	500
15	CAPILLARY TUBE	03760473					1			471
15	CAPILLARY TUBE	03760520				1				471
15	CAPILLARY TUBE	03760545	1	1						471
15	CAPILLARY TUBE	03760513			1			1		471
15	CAPILLARY TUBE (HTG)	03760500							1	471
15	CAPILLARY TUBE (CLG)	03760554							1	471

* PARTS NOT SHOWN

PORTABLE "Q" SERIES

REF	DESCRIPTION	PART NO#								CODE
			XQ05L10-B	XQ06L10-B	XQ08L10-B	XQ10L10-C	XQ12L10-D	EQ08L11-A	YQ07L10-A	
	CHASSIS PARTS									
16	SHROUD, CONDENSER	61627601	1	1	1	1	1	1	1	720
17	FAN BLADE	61634000					1			710
17	FAN BLADE	61634001	1	1	1	1		1	1	710
18	BLOWER WHEEL	60610604					1			700
18	BLOWER WHEEL	60610606	1	1					1	700
18	BLOWER WHEEL	60610612			1	1		1		700
20	COVER BLOWER	61619503	1	1	1	1		1	1	745
20	COVER BLOWER	61619509					1			745
21	WRAPPER, SCROLL,	61990605	1	1	1	1	1	1	1	741
22	FRONT, BLOWER	61928801						1		742
22	FRONT, BLOWER	61990700	1	1	1	1	1		1	742
23	DECK, BLOWER	61619405						1		745
23	DECK, BLOWER	61990500	1	1	1	1	1		1	745
28	BASE PAN	61626302	1	1	1				1	730
28	BASE PAN	61626303				1	1			730
28	BASE PAN	61626304						1		730
29	COVER, UNIT TOP	61619503	1	1	1	1	1	1	1	746
30	DRAIN PAN, EVAP.	61638400	1	1	1	1	1	1	1	840
32	INNER WALL	61597315	1	1	1	1	1			777
32	INNER WALL	61597316							1	777
32	INNER WALL	61597318						1		777
33	FAN MOTOR MOUNT	61776900					1			900
33	FAN MOTOR MOUNT	61776903	1	1	1	1		1	1	900
*	SCREW, FAN MTR. MT.	21004672	4	4	4	4	4	4	4	999
34	CONTROL MT. BRACKET	61619612						1	1	763
34	CONTROL MT. BRACKET	61923900	1	1	1	1	1			763

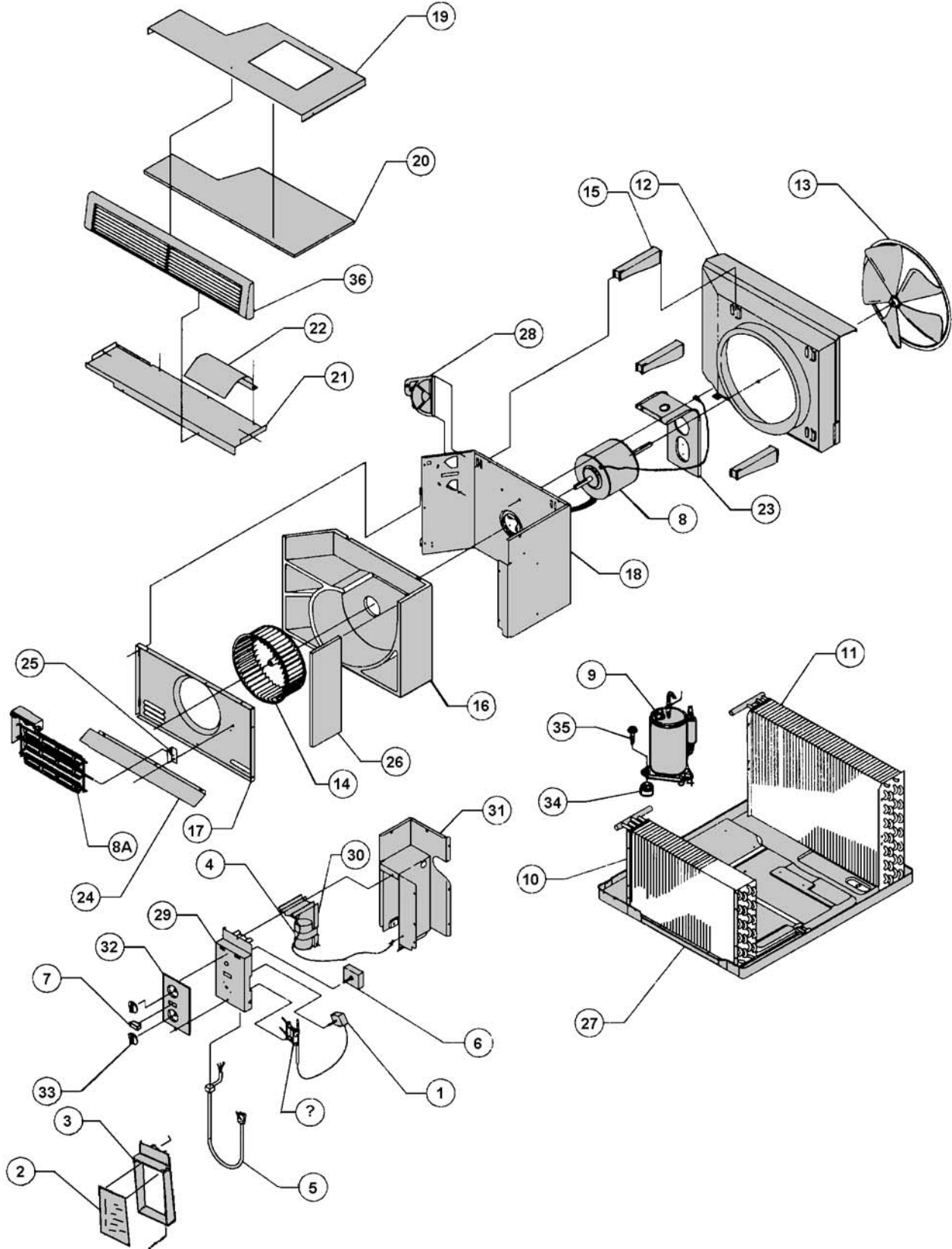
* PARTS NOT SHOWN

PORTABLE "Q" SERIES

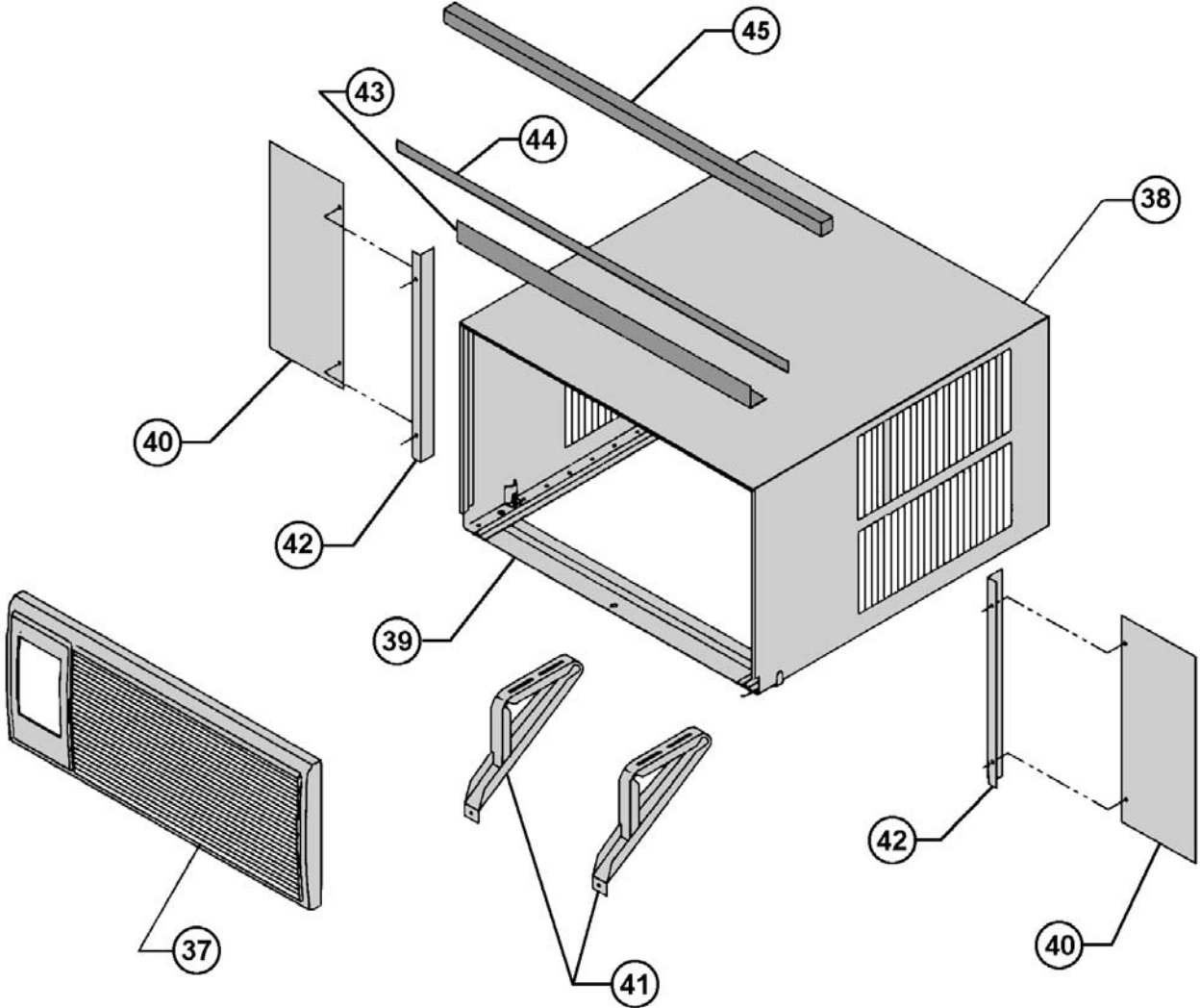
REF	DESCRIPTION	PART NO#								CODE
			XQ05L10-B	XQ06L10-B	XQ08L10-B	XQ10L10-C	XQ12L10-D	EQ08L11-A	YQ07L10-A	
	CHASSIS PARTS									
37	CONTROL DEC. PANEL	61715916						1	1	760
38	PANEL ASSLY, L1S	61924300				1	1			765
38	PANEL ASSLY, L1S	61924900	1	1	1			1	1	765
39	CONTROL KNOBS	61911600						2	2	761
*	HOLDER, TSTAT BULB	61900500						1	1	764
*	HOLDER, THERMISTER	61925001	1	1	1	1	1			764
40	FILTER, AIR	61632310	1	1	1	1	1	1	1	754
*	LINK EXHAUST DOOR	61639301	1	1	1	1	1			811
*	EXHAUST DOOR	61632202	1	1	1	1	1			810
*	WIRE CLIP, EXHAUST	60301800	1	1	1	1	1			999
	SLIDE EXHAUST DOOR	61923802	1	1	1	1	1			999
43	FRONT, DECORATIVE	61637715	1	1	1	1	1	1	1	750
50	SHELL, OUTER ASSY	61625801	1	1	1	1		1	1	720
50	SHELL, OUTER ASSY	61625803					1			720
51	ANGLE, TOP SUPPORT	61627303	1	1	1	1	1			999
52	CHANNEL, SILL	61627201	1	1	1	1	1	1	1	999
*	SCRIPT, FRIEDRICH	60169110	1	1	1	1	1	1	1	999
51A	GASKET, CHASSIS SEAL	61717300	1	1	1	1	1	1	1	780
51B	GASKET, WINDOW SEAL	60073300	1	1	1	1	1			780
*	BAG ASSLY (SCREWS)	61778700	1	1	1	1	1			999
*	BAG ASSLY (SCREWS)	61778701						1	1	999
REF	DESCRIPTION	PART NO#								CODE
	CHASSIS PARTS									
*	COUNTER WEIGHT	61715800	2	2	2	1	1	2	2	999
*	SEAL, FAN MOTOR	60217902	1	1	1	1	1	1	1	780
52	GROMMET, COMP. MT.	61028900	3	3	3	3	3	3	3	790
53	SCREW, COMP. MT.	91400400	3	3	3	3	3	3	3	999
56	CURTAIN ASSLY.	61680203	1	1	1	1	1			999
*	CARTON, SHIPPING	61841909	1	1	1	1	1	1	1	999
*	PAD SHIPPING TOP	61769700	1	1	1	1	1	1	1	999
	PAD SHIPPING BOTTOM	61716400	1	1	1	1	1	1	1	999
OPTIONAL ACCESSORIES										
*	ANTI-ICE KIT	61680600						1	1	250
*	START ASSIST (PTCR)	61008903	1	1	1	1	1	1	1	160
*	DRAIN KIT, DC-2	O1900235	1	1	1	1	1	1	1	

* PARTS NOT SHOWN

SMALL CHASSIS "S" SERIES CHASSIS PARTS (ES, KS, RS, SS & YS)



**SMALL CHASSIS "S" SERIES CHASSIS PARTS
(ES, KS, RS, SS & YS)**



SMALL CHASSIS "S" SERIES PARTS LIST - 115V

SMALL CHASSIS 115 VOLT - 2006															
REF	DESCRIPTION	PART NO#	RS 115			SS 115					YS 115	CODE			
			KS10L10-A	KS12L10-B	KS15L10-A	RS10L10-A	RS12L10-B	RS15L10-A	SS08L10-B	SS09L10-D	SS10L10-B		SS12L10-C	SS14L10-B	YS09L10-C
ELECTRICAL PARTS															
1	THERMOSTAT	61822500	1	1	1	1	1	1						120	
1	THERMOSTAT	61822400											1	120	
*	THERMOSTAT, DEFROST	61350313											1	122	
2	ELECTRONIC CTRL.	61921173							1	1	1	1	1	331	
*	REMOTE CONTROL	61826605							1	1	1	1	1	350	
3	RESISTOR	61808000	1	1	1	1	1	1					1	200	
*	OVERLOAD	61764519	1	1		1	1			1	1	1	1	190	
*	OVERLOAD	61764544			1			1					1	190	
*	OVERLOAD	61764507							1					190	
4	CAPACITOR	61080535							1	1			1	150	
4	CAPACITOR	61080554	1			1					1			150	
4	CAPACITOR	61080569		1	1		1	1				1	1	150	
5	SUPPLY CORD	60500110								1				220	
5	SUPPLY CORD	60500304	1			1	1		1		1	1	1	220	
5	SUPPLY CORD	60500305		1	1			1					1	220	
6	SWITCH SYS. 6 POS.	60607205	1	1	1	1	1	1						130	
6	SWITCH SYS. 8 POS.	60607204											1	130	
7	SWITCH (YES - NO)	61806102	1	1	1	1	1	1					1	132	
8	FAN MOTOR	61871444	1	1	1	1	1	1	1	1	1	1	1	110	
*	SOLENOID COIL	25063500											1	240	
REF	DESCRIPTION	PART NO#	RS 115			SS 115					YS 115	CODE			
REFRIGERATION PARTS															
			KS10L10-A	KS12L10-B	KS15L10-A	RS10L10-A	RS12L10-B	RS15L10-A	SS08L10-B	SS09L10-D	SS10L10-B	SS12L10-C	SS14L10-B	YS09L10-C	
9	COMPRESSOR	61716641	1			1					1			600	
9	COMPRESSOR	61716671		1			1					1		600	
9	COMPRESSOR	61716653			1			1					1	600	
9	COMPRESSOR	61562832							1					600	
9	COMPRESSOR	61716665								1			1	600	
10	EVAPORATOR COIL	62050014			1		1	1				1	1	400	
10	EVAPORATOR COIL	61850101							1	1				400	
10	EVAPORATOR COIL	61850100	1	1		1					1		1	400	
11	CONDENSER COIL	61850303							1	1				410	
11	CONDENSER COIL	61850217		1										410	
11	CONDENSER COIL	61850302	1			1					1		1	410	
11	CONDENSER COIL	62050317					1					1		410	
11	CONDENSER COIL	62050302			1			1					1	410	
*	DRIER, LIQUID	60308101	1	1	1	1	1	1	1	1	1	1	1	480	
*	DRIER, SUCTION	61828200												1	480
*	CHECK VALVE	61824400												1	510
*	REVERSING VALVE	25018201												1	500
*	CAPILLARY TUBE	03760518								1					471
*	CAPILLARY TUBE	03760520	1			1					1				471
*	CAPILLARY TUBE	03760473		1			1					1			471
*	CAPILLARY TUBE	03760548							1						471
*	CAPILLARY TUBE	03760501			1			1					1		471
*	CAPILLARY TUBE	03760452												1	471
*	CAPILLARY TUBE	03760556												1	471

* PARTS NOT SHOWN

SMALL CHASSIS "S" SERIES PARTS LIST - 115V

SMALL CHASSIS 115 VOLT - 2006														
REF	DESCRIPTION	PART NO#	RS 115			SS 115					YS 115	CODE		
			KS10L10-A	KS12L10-B	KS15L10-A	RS10L10-A	RS12L10-B	RS15L10-A	SS08L10-B	SS09L10-D			SS10L10-B	SS12L10-B
12	SHROUD, SML W/SUMP LOOP	61803601	1	1	1	1	1	1	1	1	1	1	1	720
13	FAN BLADE, CONDENSER	60542003	1	1	1	1	1	1	1	1	1	1	1	710
14	BLOWER WHEEL, EVAPORATOR	60610603		1	1		1	1				1	1	700
14	BLOWER WHEEL, EVAPORATOR	60610604	1			1			1	1	1		1	700
15	BRACE, COND. SHROUD	61802600	3	3	3	3	3	3	3	3	3	3	3	722
16	SCROLL	61814905	1	1	1	1	1	1	1	1	1	1	1	743
17	BLOWER FRONT	61817300	1	1	1	1	1	1	1	1	1	1	1	742
*	INSULATION, INNER WALL	61816900	1	1	1	1	1	1	1	1	1	1	1	781
18	INNER WALL	61907300	1	1	1	1	1	1	1	1	1	1	1	777
19	COVER, TOP	61906700	1	1	1	1	1	1	1	1	1	1	1	746
20	INSULATION, TOP COVER	61816701	1	1	1	1	1	1	1	1	1	1	1	781
21	DECK	61817100	1	1	1	1	1	1	1	1	1	1	1	745
22	AIR FOIL	61820200	1	1	1	1	1	1	1	1	1	1	1	744
23	MOUNT, FAN MOTOR	61802500	1	1	1	1	1	1	1	1	1	1	1	900
27	BASE PAN	61803409							1	1				730
27	BASE PAN	61803411	1	1	1	1	1	1			1	1	1	730
27	BASE PAN	61809003											1	730
*	DRAIN PAN	61803800	1	1	1	1	1	1	1	1	1	1	1	840
*	BELLOWS, DRAIN VALVE	60179903											1	801
*	GRILLE, REAR	61818500	1	1	1	1	1	1	1	1	1	1	1	771
28	DOOR, SLIDE ASSLY.	61821500	1	1	1	1	1	1	1	1	1	1	1	810
*	CONNECTOR, SLIDE DOOR	61814800	1	1	1	1	1	1	1	1	1		1	811
29	PANEL, CTRL. MT.	61807250	1	1	1	1	1	1					1	999
29	PANEL, CTRL. MT.	61807251							1	1	1	1	1	999
30	BRACKET, CAP. MT	61820400	1	1	1	1	1	1	1	1	1	1	1	999
*	PANEL, L/S	61937200	1	1	1	1	1	1	1	1	1	1	1	999
31	PARTITION, CTRL. BOX	61802800	1	1	1	1	1	1	1	1	1	1	1	999
32	DECORATIVE PANEL	61822603				1	1	1						999
32	DECORATIVE PANEL	61823350											1	999
32	DECORATIVE PANEL	61822654	1	1	1									999
33	KNOBS, CTRL.	61493905	2	2	2	2	2	2					2	761
*	HOLDER, THERMISTER	61925001							1	1	1	1	1	764
*	HOLDER, AIR FILTER	60865900	2	2	2	2	2	2	2	2	2	2	2	756
*	FILTER, AIR	60865808	1	1	1	1	1	1	1	1	1	1	1	754
*	CLAMP, SUPPLY CORD	91500305	1	1	1	1	1	1	1	1	1	1	1	999
*	BRACKET, RESISTO BLOCK	61820600	1	1	1	1	1	1					1	999
34	GROMMET, COMPRESSOR	61028900	3	3	3	3	3	3	3	3	3	3	3	790
35	SCREW, COMPRESSOR MT.	91400400	3	3	3	3	3	3	3	3	3	3	3	999
*	COUNTER WEIGHT	61715800	3	3	3	3	3	3	3	3	3	3	3	999
36	PLENUM ASSLY.	61810205	1	1	1	1	1	1	1	1	1	1	1	753

* PARTS NOT SHOWN

SMALL CHASSIS "S" SERIES PARTS LIST - 115V

SMALL CHASSIS 115 VOLT - 2006														
REF	DESCRIPTION	PART NO#	RS 115			SS 115			YS 115	CODE				
			KS10L10-A	KS12L10-B	KS15L10-A	RS10L10-A	RS12L10-B	RS15L10-A			SS08L10-B	SS09L10-D	SS10L10-B	SS12L10-C
	CHASSIS PARTS													
*	LEVER, FRESH & EXHAUST	61809200	1	1	1	1	1	1	1	1	1	1	1	813
*	KNOB, FRESH & EXHAUST	61809300	1	1	1	1	1	1	1	1	1	1	1	814
37	INTAKE GRILLE	61808905	1	1	1	1	1	1	1	1	1	1	1	772
*	LATCH, INTAKE GRILLE	61989000	2	2	2	2	2	2	2	2	2	2	2	752
38	OUTER SHELL ASSLY	61803205	1	1	1	1	1	1	1	1	1	1	1	770
39	SILL PLATE	61808403	1	1	1	1	1	1	1	1	1	1	1	999
*	CHASSIS GUIDE, SHELL	61819601	2	2	2	2	2	2	2	2	2	2	2	999
*	FRIEDRICH SCRIPT	60169110	1	1	1	1	1	1	1	1	1	1	1	999
*	PUSHNUTS, SCRIPT	91002900	2	2	2	2	2	2	2	2	2	2	2	999
40	WINGBOARD	60294408	1	1	1	1	1	1	1	1	1	1		999
41	BRACKET, SUPPORT	61109503	2	2	2	2	2	2	2	2	2	2		999
42	ANGLE, WINGBOARD	61819801	2	2	2	2	2	2	2	2	2	2		999
43	ANGLE, TOP	61819701	1	1	1	1	1	1	1	1	1	1		999
44	GASKET, VINYL. {item #12}	60610303	1	1	1	1	1	1	1	1	1	1		780
*	HARDWARE BAG(SCREWS)	60846016	1	1	1	1	1	1	1	1	1	1		999
45	GASKET, CHASSIS. {item #14}	61717301	1	1	1	1	1	1	1	1	1	1	1	780
45	GASKET, WINDOW. {item # 13}	60610303	1	1	1	1	1	1	1	1	1	1		780
*	CARTON, SHIPPING	61841908	1	1	1	1	1	1		1	1	1	1	999
	CARTON, SHIPPING	61841915							1					999
OPTIONAL ACCESSORIES ITEMS														
*	WINDOW KIT	WIKS												1
*	DRAIN KIT, DC-2	01900235	1	1	1	1	1	1	1	1	1	1	1	999
*	START KIT, CAP.\RELAY	61008903	1	1	1	1	1	1	1	1	1	1	1	160
*	ANTI-ICE KIT	61680600	1	1	1	1	1	1	1	1	1	1	1	250

* PARTS NOT SHOWN

SMALL CHASSIS "S" SERIES PARTS LIST - 230V

SMALL CHASSIS 208/230 VOLT - 2006										
REF	DESCRIPTION	PART NO#	ES 230		KS 230	RS 230	SS 230		YS 230	CODE
			ES12L33-A	ES16L33-A	KS12L30-A	RS16L30-A	SS12L30-B	SS16L30-B	YS13L33-A	
ELECTRICAL PARTS										
1	THERMOSTAT	61822400	1	1					1	120
1	THERMOSTAT	61822500			1	1				120
*	RESISTOR	61808001	1	1	1	1			1	200
*	THERMOSTAT, DEFROST	61350313							1	122
	REMOTE CONTROL	61826605					1	1		399
2	ELECTRONIC CTR.	61921174					1	1		331
*	OVERLOAD	61764521			1				1	190
*	OVERLOAD	61764556		1		1		1		190
*	OVERLOAD	61764540	1				1			190
4	CAPACITOR	61080534		1		1		1		150
4	CAPACITOR	61080536	1		1		1		1	150
5	SUPPLY CORD	60500103	1	1					1	220
5	SUPPLY CORD	60500102			1	1	1	1		220
6	SWITCH, SYS. 8 POS.	60607204	1	1					1	130
6	SWITCH, SYS. 6 POS	60607205			1	1				130
7	SWITCH (YES - NO)	61806102	1	1	1	1			1	132
8	FAN MOTOR	61871441	1	1	1	1	1	1	1	110
*	SOLENOID	25063600							1	240
8A	HEATER	61878600	1	1					1	210
*	FUSE LINK	61596301	1	1					1	192
*	LIMITER, HEATER	61827901	1	1					1	193
REF	DESCRIPTION	PART NO#	ES 230		KS 230	RS 230	SS 230		YS 230	CODE
REFRIGERATION PARTS										
			ES12L33-A	ES16L33-A	KS12L30-A	RS16L30-A	SS12L30-B	SS16L30-B	YS13L33-A	
9	COMPRESSOR	61716628			1				1	600
9	COMPRESSOR	61716645	1				1			600
9	COMPRESSOR	62199704		1		1		1		600
10	EVAPORATOR COIL	61850100	1				1		1	400
10	EVAPORATOR COIL	61850101			1					400
10	EVAPORATOR COIL	62050014		1		1		1		400
11	CONDENSER COIL	61850217			1					410
11	CONDENSER COIL	61850302	1				1			410
11	CONDENSER COIL	61850306							1	410
11	CONDENSER COIL	62050302		1		1		1		410
*	DRIER, LIQUID	60308101	1	1	1	1	1	1		480
*	DRIER, SUCTION	61828200							1	480
*	CHECK VALVE	61824400							1	510
*	REVERSING VALVE	25018301							1	500
*	CAPILLARY TUBE	03760543							1	471
*	CAPILLARY TUBE	03760545							1	471
*	CAPILLARY TUBE	03760473	1				1			471
*	CAPILLARY TUBE	01390005		1		1		1		471
*	CAPILLARY TUBE	03760520			1					471

* PARTS NOT SHOWN

SMALL CHASSIS "S" SERIES PARTS LIST - 230V

SMALL CHASSIS 208/230 VOLT - 2006										
REF	DESCRIPTION	PART NO#	ES 230		KS 230	RS 230	SS 230		YS 230	CODE
	CHASSIS PARTS		ES12L33-A	ES16L33-A	KS12L30-A	RS16L30-A	SS12L30-B	SS16L30-B	YS13L33-A	
12	SHROUD, CONDENSER	61803601	1	1	1	1	1	1	1	720
13	FAN BLADE	60542003	1	1	1	1	1	1	1	710
14	BLOWER WHEEL	60610603			1				1	700
14	BLOWER WHEEL	60610616	1	1		1	1	1		700
15	BRACE, COND. SHROUD	61802600	3	3	3	3	3	3	3	722
16	SCROLL	61814905	1	1	1	1	1	1	1	743
17	BLOWER FRONT	61817300	1	1	1	1	1	1	1	742
19	COVER, TOP	61906700	1	1	1	1	1	1	1	746
21	DECK	61817100	1	1	1	1	1	1	1	745
23	MOUNT, FAN MOTOR	61802500	1	1	1	1	1	1	1	900
25	BRACKET, HEATER MT.	61818900	1	1					1	999
27	BASE PAN	61809005	1	1						730
27	BASE PAN	61803411			1	1	1	1		730
27	BASE PAN	61809001							1	730
*	DRAIN PAN	61803800	1	1	1	1	1	1	1	840
*	BELLOWS, DRAIN VALVE	60179903	1	1					1	801
*	GRILLE, REAR	61818800	1	1	1	1	1	1	1	771
28	DOOR, SLIDE ASSLY.	61821500	1	1	1	1	1	1	1	810
*	CONNECTOR, SLIDE DOOR	61814800	1	1	1	1	1	1	1	811
29	PANEL, CTRL. MT.	61807251					1	1		999
29	PANEL, CTRL. MT.	61807250	1	1	1	1			1	999
30	BRACKET, CAP. MT	61820400	1	1	1	1	1	1	1	999
*	PANEL, LIS	61937200	1	1	1	1	1	1	1	999
31	PARTITION, CTRL. BOX	61802800			1	1	1	1		999
31	PARTITION, CTRL. BOX	61802801	1	1					1	999
32	DECORATIVE PANEL	61823300	1	1					1	999
32	DECORATIVE PANEL	61822603				1				999
32	DECORATIVE PANEL	61822600			1					999
33	KNOBS, CTRL.	61493905	2	2	2	2			2	761
29	PANEL, CONTROL SML	61807200	1	1	1	1			1	999
29	PANEL, CONTROL	61807201					1	1		999
*	HOLDER, THERMISTER	61925001					1	1		764
*	HOLDER, AIR FILTER	60865900	2	2	2	2	2	2	2	756
*	FILTER, AIR	60865808	1	1	1	1	1	1	1	754
*	CLAMP, SUPPLY CORD	91500306	1	1	1	1	1	1	1	999
*	BRACKET, RESISTO BLOCK	61820600	1	1	1	1			1	999
34	GROMMET, COMPRESSOR	61028900	3	3	3	3	3	3	3	790
35	SCREW, COMPRESSOR MT.	91400400	3	3	3	3	3	3	3	999
36	PLENUM ASSLY.	61810205	1	1	1	1	1	1	1	753
*	KNOB, FRESH AIR & EXHAUST	61809300	1	1	1	1	1	1	1	761

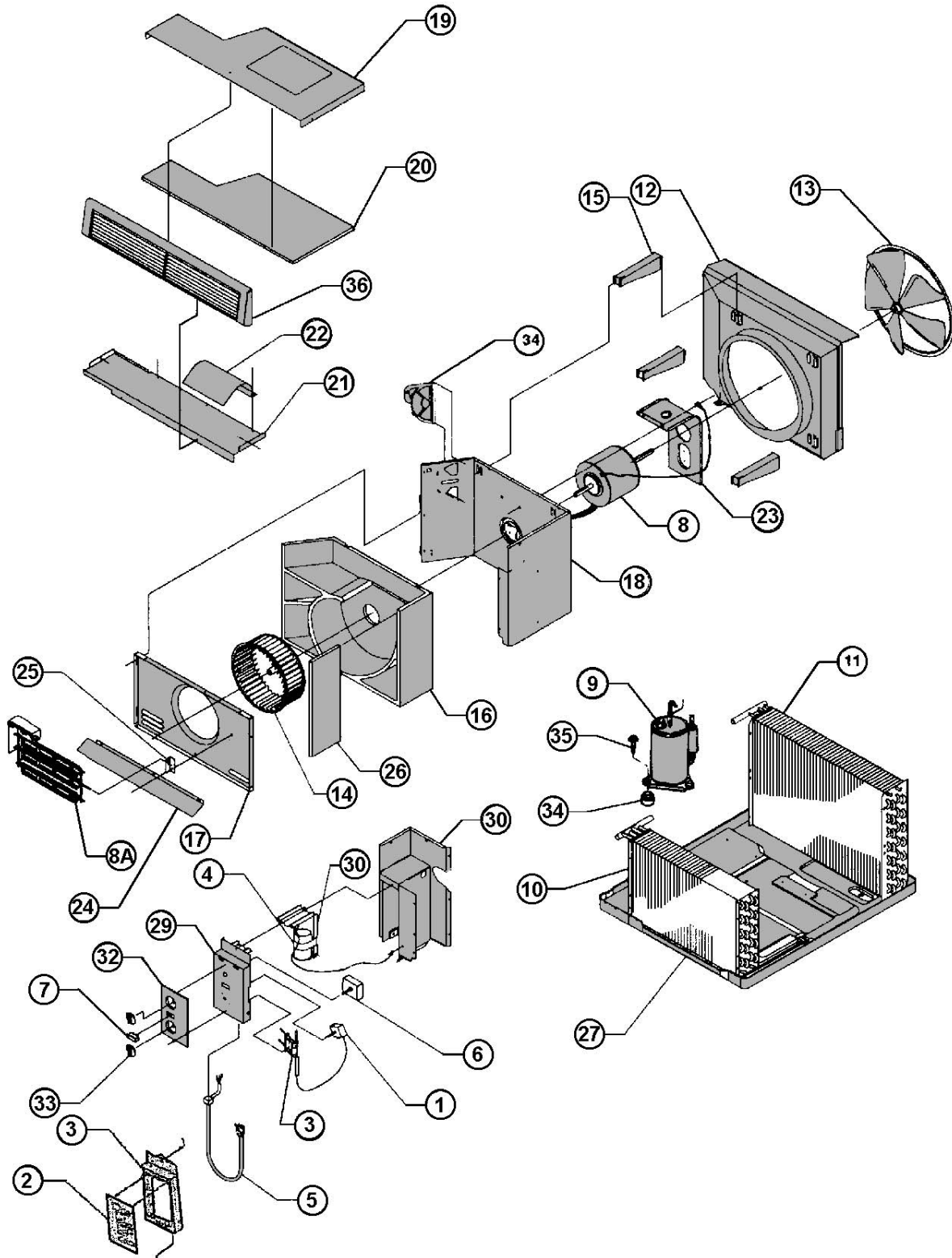
* PARTS NOT SHOWN

SMALL CHASSIS "S" SERIES PARTS LIST - 230V

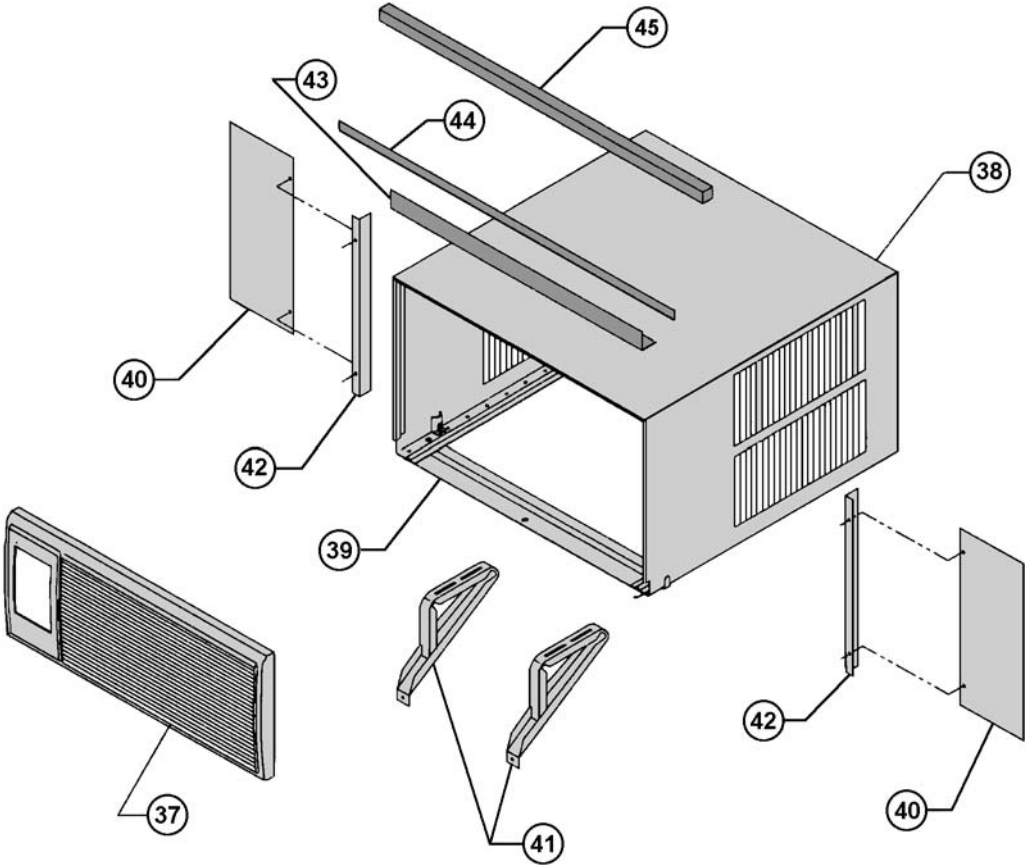
SMALL CHASSIS 208/230 VOLT - 2006										
REF	DESCRIPTION	PART NO#	ES 230		KS 230	RS 230	SS 230		YS 230	CODE
			ES12L33-A	ES16L33-A	KS12L30-A	RS16L30-A	SS12L30-B	SS06L30-B	YS13L33-A	
	CHASSIS PARTS									
37	INTAKE GRILLE	61808905	1	1	1	1	1	1	1	772
*	LATCH, INTAKE GRILLE	61989000	2	2	2	2	2	2	2	
38	OUTER SHELL ASSLY	61803205	1	1	1	1	1	1	1	770
39	SILL PLATE	61808403	1	1	1	1	1	1	1	
*	CHASSIS GUIDE, SHELL	61819601	2	2	2	2	2	2	2	
*	FRIEDRICH SCRIPT	60169110	1	1	1	1	1	1	1	
*	PUSHNUTS, SCRIPT	91002900	2	2	2	2	2	2	2	
40	WINGBOARD	60294408			1	1	1	1		
41	BRACKET, SUPPORT	61109503			2	2	2	2		
42	ANGLE, WINGBOARD	61819801			2	2	2	2		
43	ANGLE, TOP	61819701			1	1	1	1		
44	GASKET, VINYL	60610303	1	1	1	1	1	1	1	
*	HARDWARE BAG(SCREWS)	60846017	1	1					1	
*	HARDWARE BAG(SCREWS)	60846016			1	1	1	1		
45	GASKET, CHASSIS	61717301	1	1	1	1	1	1	1	
45	GASKET, WINDOW	60610303			1	1	1	1		
*	CARTON, SHIPPING	61841908	1	1	1	1	1	1	1	
OPTIONAL ACCESSORY ITEMS										
*	DRAIN KIT, DC-2	01900235	1	1	1	1	1	1	1	999
*	START KIT, CAP.RELAY	61008903	1	1	1	1	1	1	1	160

* PARTS NOT SHOWN

Medium Chassis "M" SERIES CHASSIS PARTS (EM, KM, RM, SM, & YM)



**Medium Chassis "M" SERIES CABINET & MOUNTING PARTS
(EK, EM, KM, RM, SM, YM)**



MEDIUM CHASSIS "M" SERIES PARTS LIST

MEDIUM CHASSIS 208/230 VOLT - 2006														
REF	DESCRIPTION	PART NO#	EM 230		KM 230			RM 230		SM 230			YM 230	CODE
			EM18L34-A	EM24L35-A	KM18L30-A	KM21L30-A	KM24L30-A	RM18L30-A	RM24L30-A	SM18L30A-A	SM21L30-B	SM24L30-A	YM18L34-A	
	ELECTRICAL PARTS													
1	THERMOSTAT	61822400	1										1	120
1	THERMOSTAT	61822500			1	1	1	1	1					120
1	THERMOSTAT	61828400		1										120
*	RESISTOR	61808001	1	1	1	1	1	1	1				1	200
*	THERMOSTAT, DEF.	61350313											1	122
2	ELECTRONIC BOARD	61921174								1	1	1		331
*	REMOTE CONTROL	61826605								1	1	1		350
	OVERLOAD	61764522											1	190
	OVERLOAD	61764532								1				190
*	OVERLOAD	61764557	1		1			1						190
4	CAPACITOR	61080557				1					1			150
4	CAPACITOR	61080529		1			1		1			1	1	150
4	CAPACITOR	61080534	1		1			1		1				150
5	SUPPLY CORD	60500140	1										1	220
5	SUPPLY CORD	60500102			1	1		1		1	1			220
5	SUPPLY CORD	60500141		1										220
5	SUPPLY CORD	60500103					1		1			1		220
6	SWITCH SYS. 8 POS.	60607204	1	1									1	130
6	SWITCH SYS. 6 POS.	60607205			1	1	1	1	1					130
7	SWITCH (YES - NO)	61806102	1	1	1	1	1	1	1				1	132
8	FAN MOTOR	61871432	1	1	1	1	1	1	1	1	1	1	1	110
*	SOLENOID COIL	25063600											1	240
8A	HEATER	61878617		1										210
8A	HEATER	61878601	1										1	210
REF	DESCRIPTION	PART NO#	EM 230		KM 230			RM 230		SM 230			YM 230	CODE
	REFRIGERATION PARTS													
9	COMPRESSOR	61716652		1			1		1			1		600
9	COMPRESSOR	61716651				1					1			600
9	COMPRESSOR	61716663	1		1			1						600
9	COMPRESSOR	61716664								1				600
9	COMPRESSOR	61716660											1	600
10	EVAPORATOR COIL	61850011	1		1			1						400
10	EVAPORATOR COIL	61850002											1	400
10	EVAPORATOR COIL	62050017		1			1		1	1		1		400
10	EVAPORATOR COIL	62050016				1					1			400
11	CONDENSER COIL	62050215		1			1		1	1		1		400
11	CONDENSER COIL	61850200	1		1	1		1			1			410
11	CONDENSER COIL	61850205											1	410
*	DRIER, LIQUID	60308101	1		1	1	1	1	1	1	1			480
	DRIER/CK.VALVE/CAP TUBE	92500000											1	471
*	REVERSING VALVE	25018701											1	500
*	CAPILLARY TUBE	01389975	1		1			1						471
*	CAPILLARY TUBE	03760479				1			1	1				471
*	CAPILLARY TUBE	03760452		3			3		3			3		471

* PARTS NOT SHOWN

MEDIUM CHASSIS "M" SERIES PARTS LIST

MEDIUM CHASSIS 208/230 VOLT - 2006														
REF	DESCRIPTION	PART NO#	EM 230		KM 230			RM 230		SM 230			YM 230	CODE
			EM18L34-A	EM24L35-A	KM18L30-A	KM21L30-A	KM24L30-A	RM18L30-A	RM24L30-A	SM18L30A-A	SM21L30-B	SM24L30-A	YM18L34-A	
12	SHROUD, CONDENSER	61804901	1	1	1	1	1	1	1	1	1	1	1	720
13	FAN BLADE, COND.	60542004	1	1	1	1	1	1	1	1	1	1	1	710
14	BLOWER WHEEL, EVAP.	60610617	1		1	1		1		1	1			700
14	BLOWER WHEEL, EVAP.	60610618		1			1		1			1	1	700
15	BRACE, COND.SHROUD	61802600	3	3	3	3	3	3	3	3	3	3	3	722
16	SCROLL	61817505	1	1	1	1	1	1	1	1	1	1	1	743
17	BLOWER FRONT	61817400	1	1	1	1	1	1	1	1	1	1	1	742
25	BRACKET, HTR	61818900	1	1									1	730
27	BASE PAN	61809005	1	1									1	730
27	BASE PAN	61803411			1	1	1	1	1	1	1	1		730
*	BELLOWS, DRAIN VALVE	60179903	1										1	801
*	DRAIN PAN, EVAP.	61803800	1	1	1	1	1	1	1	1	1	1	1	840
*	GRILLE, REAR	61818501		1								1		771
*	GRILLE, REAR	61818801	1		1	1	1	1	1	1	1		1	771
28	DOOR, SLIDE ASY	61821500	1	1	1	1	1	1	1	1	1	1	1	810
*	CONNECTOR SLIDE ASY	61814800	1	1	1	1	1	1	1	1	1	1	1	811
*	WIRE CLIP, SLIDE ASSY	60301800	1	1	1	1	1	1	1	1	1	1	1	999
29	PANEL, CTRL. MOUNT	61811050	1	1	1	1	1	1	1				1	999
29	PANEL, CTRL. MOUNT	61811051										1		999
29	PANEL, CTRL. MOUNT	61811001								1	1			999
32	DECORATIVE PANEL	61823300	1										1	999
32	DECORATIVE PANEL	61822600			1	1	1	1	1					999
33	KNOBS, CRTL.	61493905	2	2	2	2	2	2	2				2	761
*	BRACKET,RESISTOR BLK	61820600	1	1	1	1	1	1	1				1	999
*	HOLDER, THERMISTOR	61925001								1	1	1		764
*	HOLDER, AIR FILTER	61823000	2	2	2	2	2	2	2	2	2	2	2	756
*	FILTER, AIR	60865809	1	1	1	1	1	1	1	1	1	1	1	754
*	CLAMP, SUPPLY CORD	91500308		1										999
*	CLAMP, SUPPLY CORD	91500307	1										1	999
*	CLAMP, SUPPLY CORD	91500305			1	1	1	1	1	1	1			999
*	CLAMP, SUPPLY CORD	91500306										1		999
34	GROMMET, COMP.	61028900	3		3	3	3	3	3	3	3		3	790
34	GROMMET, COMP.	01150934		3									3	790
35	SCREW, COMP.	91400400	3	3	3	3	3	3	3	3	3	3	3	999
23	MOUNT, FAN MOTOR	61804100	1	1	1	1	1	1	1	1	1	1	1	900

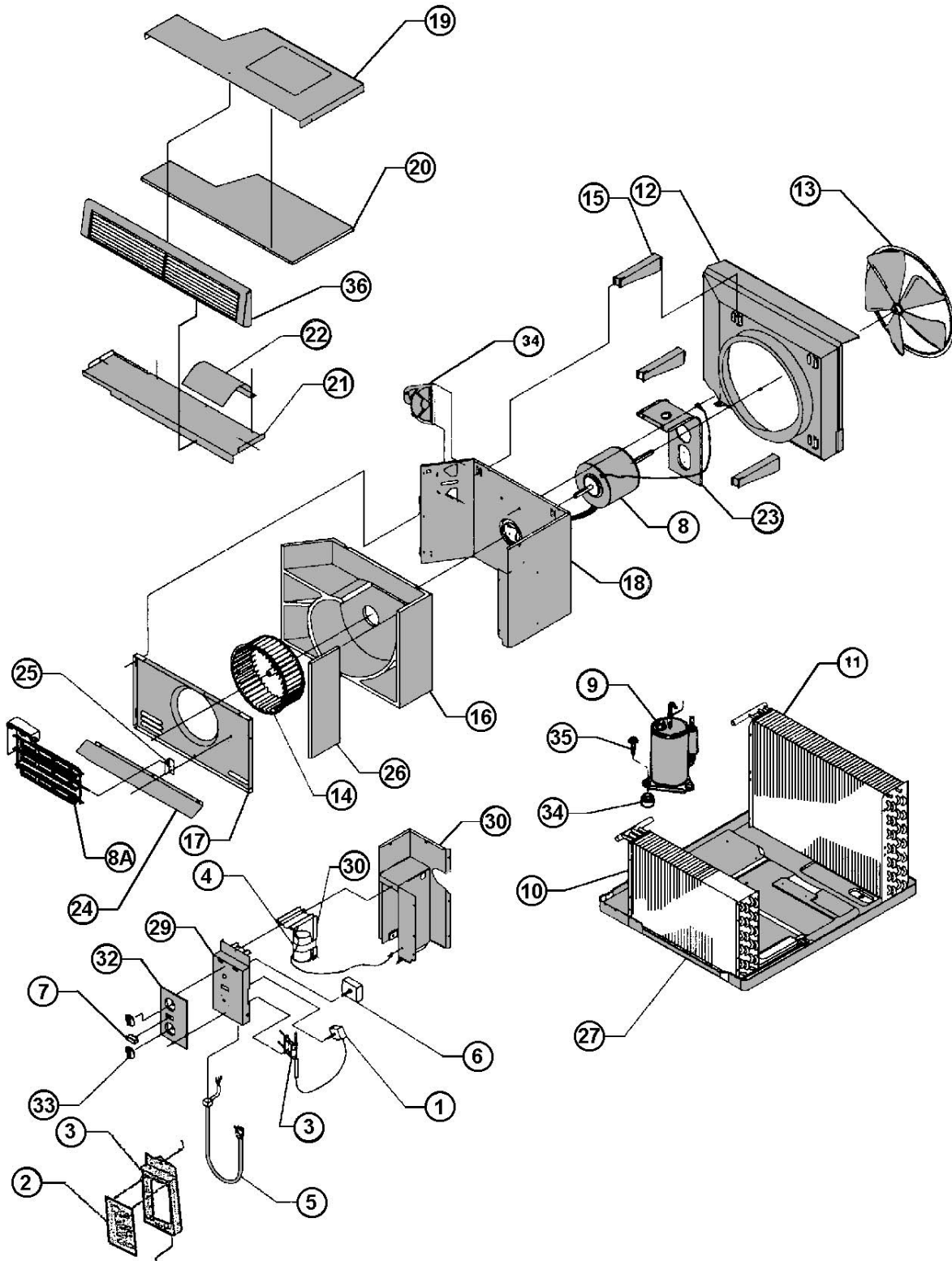
* PARTS NOT SHOWN

MEDIUM CHASSIS "M" SERIES PARTS LIST

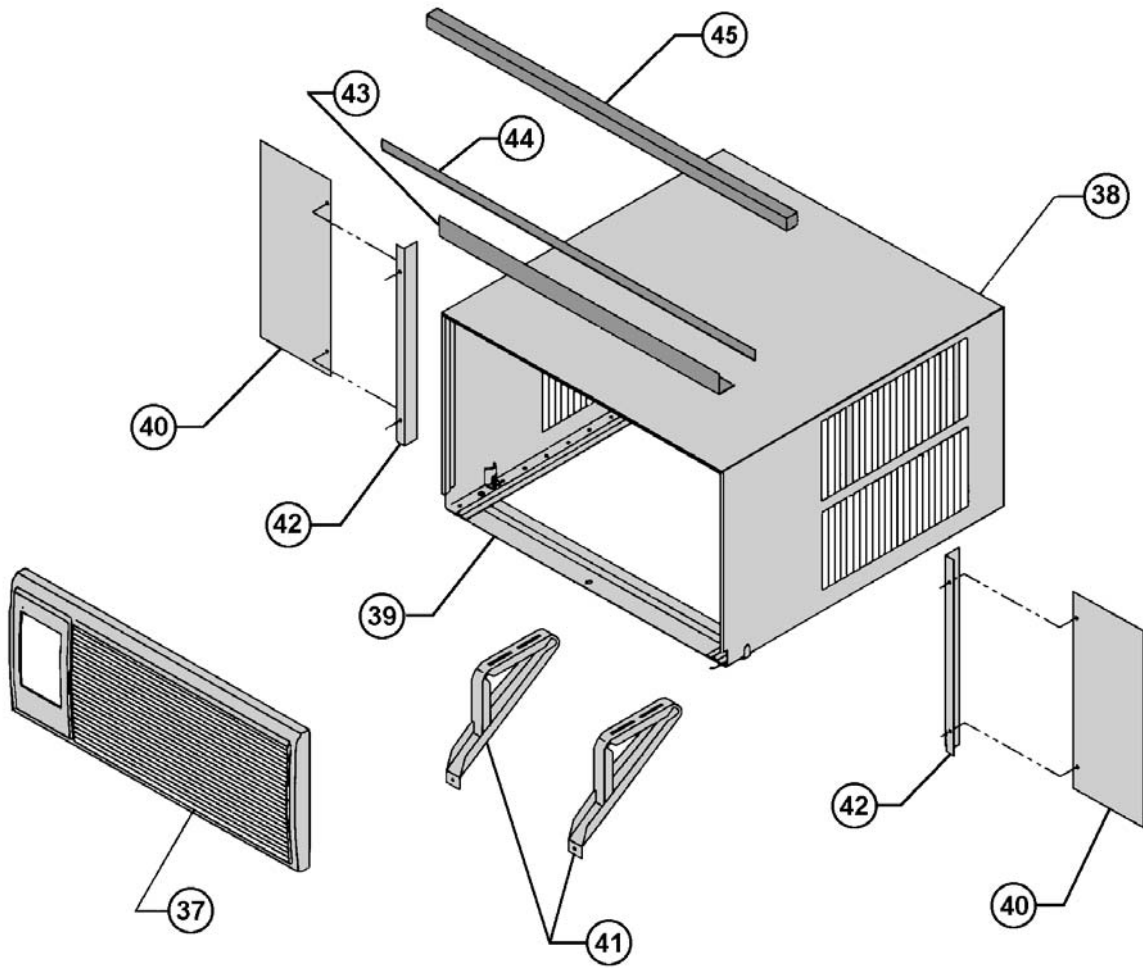
MEDIUM CHASSIS 208-230 VOLT - 2006														
REF	DESCRIPTION	PART NO#	EM 230		KM 230			RM 230		SM 230			YM 230	CODE
			EM18L34-A	EM24L35-A	KM18L30-A	KM21L30-A	KM24L30-A	RM18L30-A	RM24L30-A	SM18L30A-A	SM21L30-B	SM24L30-A	YM18L34-A	
36	PLENIUM ASLY.	61810205	1	1	1	1	1	1	1	1	1	1	1	753
37	GRILLE, INTAKE	61811110	1	1	1	1	1	1	1	1	1	1	1	772
*	LATCH, GRILLE INTAKE	61989000	2	1	2	2	1	2	2	2	2	2	2	999
38	OUTER SHELL	61825701	1		1	1	1	1	1	1	1		1	770
38	OUTER SHELL	61804605		1								1		770
39	SILL PLATE	61808403	1	1	1	1	1	1	1	1	1	1	1	999
*	CHASSIS GUIDE, SHELL	61819601	2	2	2	2	2	2	1	2	2	2	2	999
*	CHASSIS RETAINER	61826400	1	1	1	1	1	1	1	1	1	1	1	999
*	FRIEDRICH SCRIPT	60169110	1	1	1	1	1	1	1	1	1	1	1	999
*	PUSHNUTS, SCRIPT	91002900	2	2	2	2	2	2	2	2	2	2	2	999
40	WINGBOARD	60294409		1	1	1	1	1	1	1	1	1	1	999
*	HARDWARE (SCREWS)	60846017	1	1									1	999
*	HARDWARE (SCREWS)	60846016			1	1	1	1	1	1	1	1		999
45	GASKET, CHASSIS	61717301	1	1	1	1	1	1	1	1	1	1	1	780
45	GASKET, WINDOW	60073300			1	1	1	1	1	1	1	1		780
46	GASKET, VINYL	60610303			1	1	1	1	1	1	1	1		780
*	CARTON, SHIPPING	61841907	1		1	1	1	1	1	1	1		1	999
*	CARTON, SHIPPING	61841913		1								1		999
41	BRACKET, SUPPORT	61109503			2	2	2	2	2	2	2	2		999
43	ANGLE, TOP SUPPORT	61819701			1	1	1	1	1	1	1	1		999
42	ANGLE, WINGBOARDS	61819803			2	2	2	2	2	2	2	2		999
OPTIONAL ACCESSORY ITEMS														
*	DRAIN KIT, DC-2	01900235	1	1	1	1	1	1	1	1	1		1	
*	START KIT, CAP.RELAY	61008903	1	1	1	1	1	1	1	1	1		1	160

* PARTS NOT SHOWN

LARGE CHASSIS "L" SERIES CHASSIS PARTS (SL, EL, & YL)



LARGE CHASSIS "L" SERIES CABINET & MOUNTING PARTS (SL, EL, & YL)



LARGE CHASSIS "L" SERIES PARTS LIST

LARGE CHASSIS 208.230 VOLT - 2006									
REF	DESCRIPTION	PART NO#	SL 230			EL 230		YL24L35-A	CODE
			SL25L30-B	SL28L30-A	SL36L30A-A	EL25L35-B	EL36L35A-A		
ELECTRICAL PARTS									
1	THERMOSTAT	61828500	1		1				120
1	THERMOSTAT	61822400						1	120
1	THERMOSTAT	61822500		1					120
1	THERMOSTAT	61828400				1	1		120
*	THERMOSTAT, DEF.	61350313						1	122
4	CAPACITOR	61080529	1			1		1	150
4	CAPACITOR	61080557		1					150
4	CAPACITOR 45/2.0 440	61080527			1		1		150
4	CAPACITOR	61080564							150
5	SUPPLY CORD	60500103	1	1					220
5	SUPPLY CORD	60500141			1	1	1	1	220
3	RESISTOR	61808001	1	1	1	1	1	1	200
6	SWITCH SYS. 5 POS.	60607203	1	1	1				130
6	SWITCH SYS. 8 POS.	60607204				1	1	1	130
7	SWITCH (YES - NO)	61806102	1	1	1	1	1	1	132
8	FAN MOTOR	61871446			1		1		110
8	FAN MOTOR	61871467	1	1		1		1	110
8	FAN MOTOR	61871434							110
*	SOLENOID COIL	25063600						1	240
8A	HEATER	61878612				1	1	1	210
REFRIGERATION PARTS									
REF	DESCRIPTION	PART NO#	SL 230			EL 230		YL24L35-A	CODE
			SL25L30-B	SL28L30-A	SL36L30A-A	EL25L35-B	EL36L35A-A		
9	COMPRESSOR	61716652	1			1		1	600
9	COMPRESSOR	61716650		1					600
9	COMPRESSOR	61716669			1		1		600
10	EVAPORATOR COIL	62050001		1	1		1		400
10	EVAPORATOR COIL	61850003	1			1		1	400
11	CONDENSER COIL	61850320	1			1			410
11	CONDENSER COIL	62050209		1					410
11	CONDENSER COIL	62050201			1		1		410
11	CONDENSER COIL	61850203						1	410
*	DRIER, LIQUID	60308101	1	1	1	1	1		480
	DRIER/CK VALVE/ CAP TUBE	92500001						1	
*	REVERSING VALVE	25018701						1	500
*	CAPILLARY TUBE	03760473	2			2			471
*	CAPILLARY TUBE	01390005		2	2		2		471

* PARTS NOT SHOWN

LARGE CHASSIS "L" SERIES PARTS LIST

LARGE CHASSIS 208.230 VOLT 2006									
REF	DESCRIPTION	PART NO#	SL 230			EL 230		YL24L35-A	CODE
			SL25L30-B	SL28L30-A	SL36L30A-A	EL25L35-B	EL36L35A-A		
	CHASSIS PARTS								
*	SHROUD, W/SUMP LRG	61807702	1	1	1	1	1	1	720
13	FAN BLADE, COND.	60542007	1	1	1	1	1	1	710
14	BLOWER WHEEL, EVAP.	60610602	1	1		1		1	700
14	BLOWER WHEEL, EVAP.	60610609			1		1		700
15	BRACE, COND.SHROUD	61810000	3	3	3	3	3	3	722
16	SCROLL	61818100	1	1	1	1	1	1	743
17	BLOWER FRONT	61817800	1	1	1	1	1	1	742
25	BRACKET, HTR	61818900				1	1	1	999
27	BASE PAN	61807101			1				730
27	BASE PAN	61807104	1	1					730
27	BASE PAN	61809501					1		730
27	BASE PAN	61809503				1		1	730
*	BELLOWS, DRAIN VALVE	60179903				1	1	1	801
*	DRAIN PAN, EVAP.	61807400	1	1	1	1	1	1	840
*	GRILLE, REAR	61818502	1	1	1	1	1	1	771
29	PANEL, CTRL. MOUNT	61806950	1	1	1	1	1	1	999
31	PARTITION, CTRL. BOX	61807000	1	1	1				999
31	PARTITION, CTRL. BOX	61807001				1	1	1	999
32	DECORATIVE PANEL	61822650	1	1	1				999
32	DECORATIVE PANEL	61823300				1	1	1	999
33	KNOBS, CRTL.	61493905	2	2	2	2	2	2	761
*	BRACKET,RESISTOR BLK	61820600	1	1	1	1	1	1	999
23	MOUNT, FAN MOTOR	61806700	1	1	1	1	1	1	900
*	HOLDER, AIR FILTER	61823000	2	2	2	2	2	2	756
*	FILTER, AIR	60865810	1	1	1	1	1	1	754
*	CLAMP, SUPPLY CORD	91500306	1	1					999
*	CLAMP, SUPPLY CORD	91500308			1	1	1	1	999
34	GROMMET, COMP.	01150934	3	3	3	3	3	3	790
35	SCREW, COMP.	91400400	3	3	3	3	3	3	999

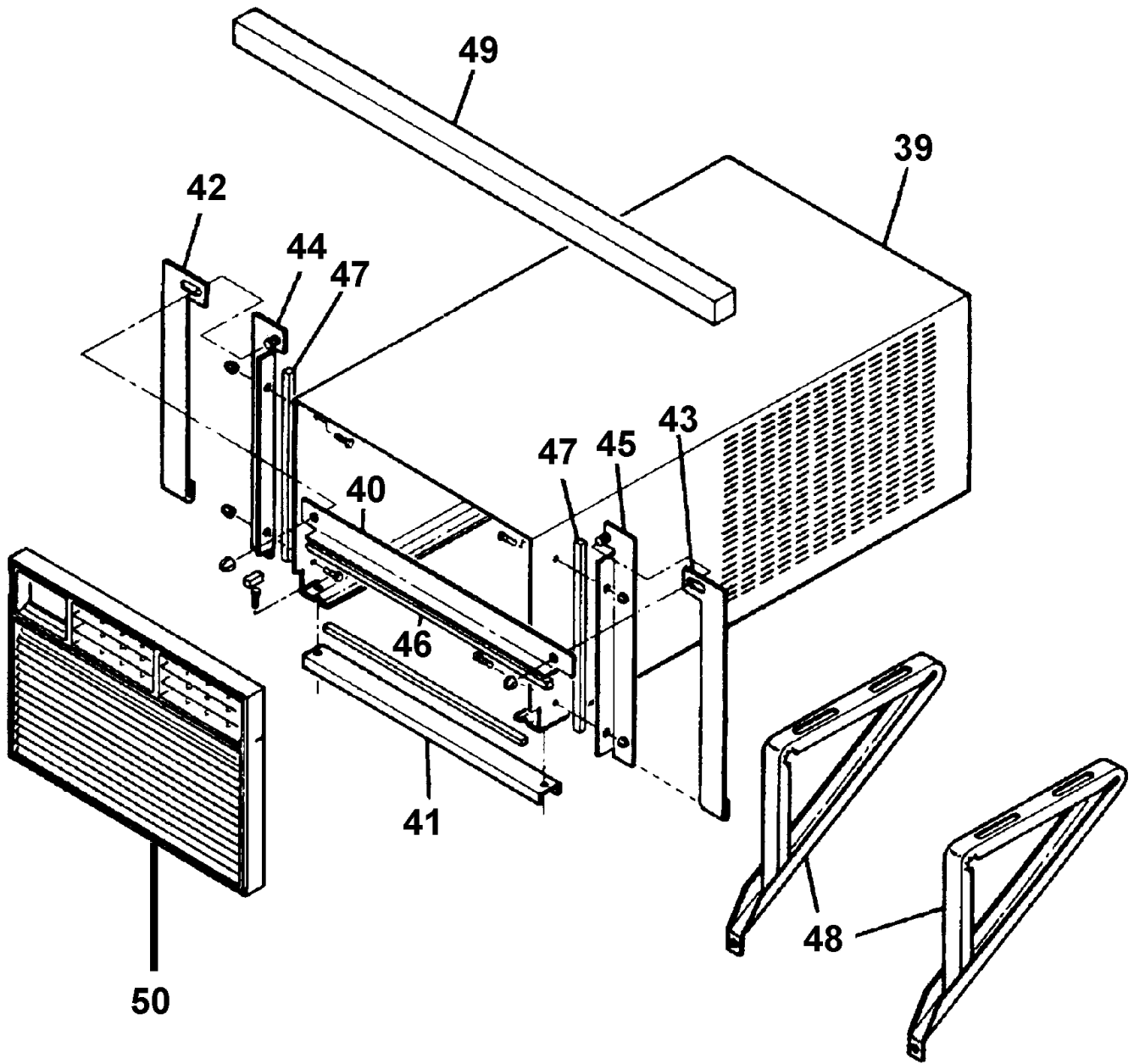
* PARTS NOT SHOWN

LARGE CHASSIS "L" SERIES PARTS LIST

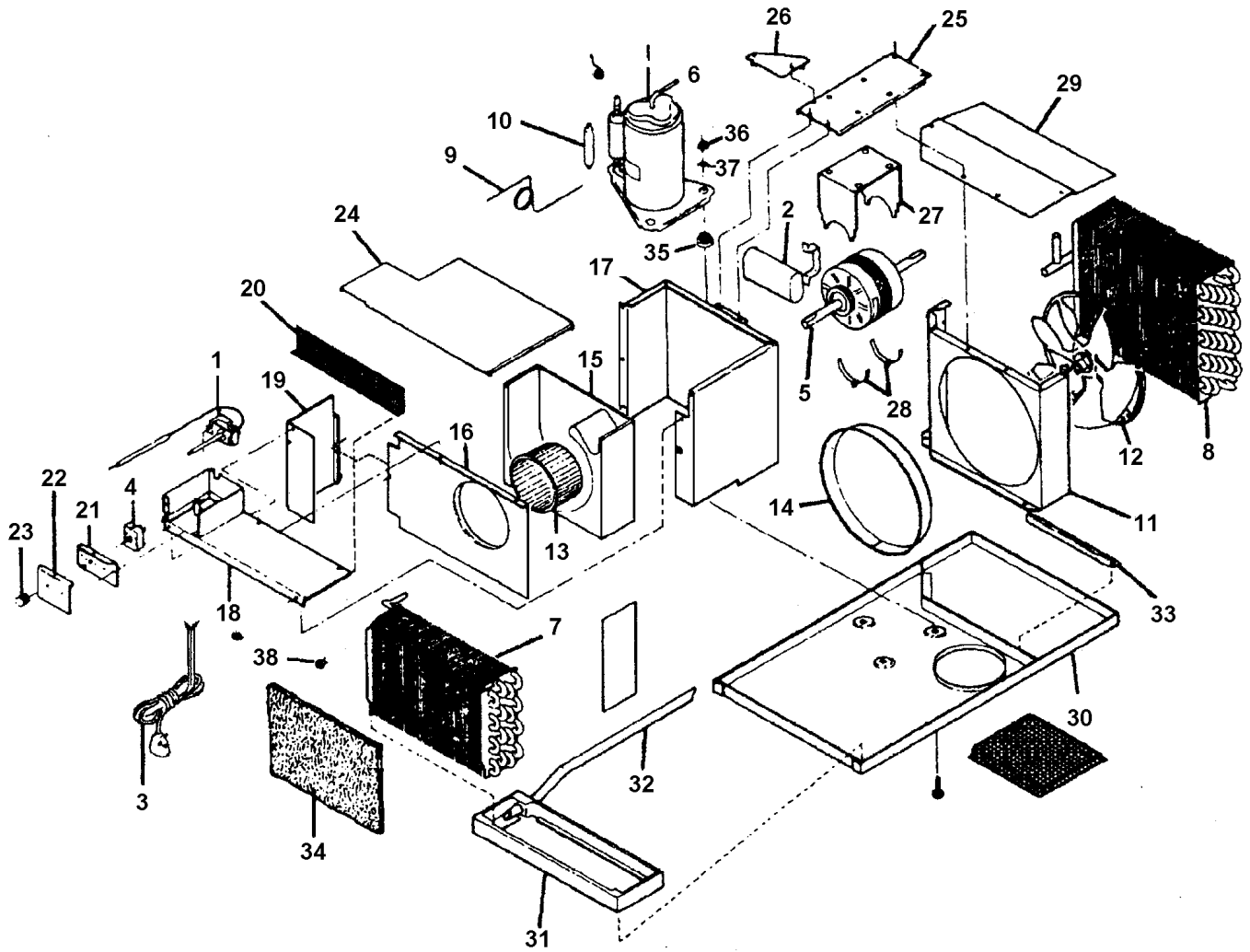
LARGE CHASSIS 208.230 VOLT - 2006									
REF	DESCRIPTION	PART NO#	SL 230			EL 230			CODE
			SL25L30-B	SL28L30-A	SL36L30A-A	EL25L35-B	EL36L35A-A	YL24L35-A	
	ELECTRICAL PARTS								
36	PLENIUM ASLY.	61810505	1	1	1	1	1	1	753
37	GRILLE, INTAKE	61810405	1	1	1	1	1	1	772
*	LATCH, GRILLE INTAKE. METAL	61989000	2	2	2	2	2	2	772
38	OUTER SHELL	61805703	1	1	1	1	1	1	770
39	SILL PLATE	61808401	1	1	1	1	1	1	999
*	CHASSIS GUIDE, SHELL	61819601	2	2	2	2	2	2	999
*	FRIEDRICH SCRIPT	60169110	1	1	1	1	1	1	999
*	PUSHNUTS, SCRIPT	91002900	2	2	2	2	2	2	999
40	WINGBOARD	60294410	1	1	1				999
*	HARDWARE (SCREWS)	60846016	1	1	1				999
*	HARDWARE (SCREWS)	60846017				1	1	1	999
45	GASKET, CHASSIS	61717301	1	1	1	1	1	1	780
45	GASKET, WINDOW	60073300	1	1	1				780
44	GASKET, VINYL	60610303	1	1	1				780
*	CARTON, SHIPPING	61841917	1	1	1	1	1	1	999
43	ANGLE, TOP SUPPORT	61819703	1	1	1				999
42	ANGLE, WINGBOARDS	61819805	2	2	2				999
OPTIONAL ACCESSORIES									
*	ACCESSORY PKGE.	WIKL				1	1	1	
*	HARD START KIT	61840900		1	1		1		

* PARTS NOT SHOWN

"SC" SERIES CABINET & MOUNTING PARTS



"SC" SERIES CHASSIS PARTS



CASEMENT CHASSIS "SC" SERIES PARTS LIST

REF	DESCRIPTION	PART NO#	CASEMENT	CODE
	ELECTRICAL PARTS		SC06L10	
	THERMOSTAT	61350305	1	120
	OVERLOAD	60364583	1	190
	CAPACITOR	61380378	1	150
	SUPPLY CORD	60500171	1	220
	SWITCH	60895102	1	130
	FAN MOTOR	60571468	1	110
REFRIGERATION SYSTEM PARTS				
	COMPRESSOR	61441027	1	600
	EVAPORATOR COIL	61600204	1	400
	CONDENSER COIL	61600347	1	410
	CAPILLARY TUBE ASSY	61697300	1	471
	FILTER DRIER (LIQUID)	61481300	1	480
CHASSIS SYSTEM PARTS				
	SHROUD, CONDENSER	61076204	1	720
	FAN BLADE, COND.	60063411	1	710
	BLOWER WHEEL, EVAP.	60415201	1	700
	RING, ORIFICE	60232200	1	738
	WRAPPER, BLOWER	61107600	1	741
	FRONT, BLOWER	61076501	1	742
	HOUSING, BLOWER	61076801	1	740
	DECK	61077702	1	745
	PANEL ASSEMBLY, LIS	61077301	1	747
	SCREEN, BLOWER GUARD	61109001	1	774
	BRACKET, CONTROL MOUNTING	61075902	1	999
	PANEL, CONTROL (DECORATIVE)	60416203	1	760
	KNOB, CONTROL	61493903	2	761
	COVER, BULKHEAD ASSLY.	61076302	1	746
	BRACE, COND.SHROUD	61075502	1	722
	COVER, CAPACITOR	61074904	1	999
	MOUNT, MOTOR	61645402	1	900
	CLIP, MOTOR MOUNT	01060445	2	999
	COVER, CONDENSER SHROUD	61076101	1	721
	BASE PAN ASSLY.	61498705	1	730
	DRAIN PAN	60199801	1	840
	TUBE, DRAIN	60203200	1	800
	GUARD, SPLASH	61440300	1	999
	FILTER, AIR	60483801	1	754

* PARTS NOT SHOWN

CASEMENT CHASSIS "SC" SERIES PARTS LIST

REF	DESCRIPTION	PART NO#	CASEMENT	CODE
	CHASSIS SYSTEM PARTS		SC06L10	
	GROMMET, COMPRESSOR	01150931	3	790
	NUT, COMPRESSOR	91002300	3	999
	WASHER, COMPRESSOR MT.	01423005	3	999
	CLIP, THERMOSTAT	61715100	1	764
	SHELL ASSEMBLY	61498301	1	770
	ANGLE, SHELL TOP SUPPORT	61427001	1	999
	SILL PLATE	61074800	1	999
	ANGLE, WINGBOARD ASSEMBLY (L/S)	61427200	1	999
	ANGLE, WINGBOARD ASSEMBLY (R/S)	61427201	1	999
	ANGLE ASSEMBLY - LEFT SIDE STUD	61427101	1	999
	ANGLE ASSEMBLY - RIGHT SIDE STUD	61427103	1	999
	GASKET, ANGLE TOP SHELL SUPPORT	60467399	1	780
	GASKET, WINGBOARDS	60467377	2	780
	BRACKETS, SUPPORT	61109503	2	999
*	SCRIPT, FRIEDRICH	60169103	1	999
*	NUT, FRIEDRICH SCRIPT	91002900	2	999
	GASKET, CHASSIS	60073301	1	780
	FRONT, DECORATIVE	61077501	1	750
*	HARDWARE KIT	60714305	1	999
	SHIPPING CARTON	61841905	1	999
	PAD, SHIPPING TOP	61630802	1	999
	PAD, SHIPPING TOP	61632000	1	999
	PAD, SHIPPING VERTICAL	61631900	1	999
	PAD, SHIPPING VERTICAL	61631901	1	999
OPTIONAL ACCESSORIES				
	KIT, INSTALLATION (DOUBLE HUNG WINDOW)	01900241	1	
	ANTI-ICE KIT	60553104	1	
	START KIT	61003803	1	

* PARTS NOT SHOWN

Use Factory-Certified Parts.

Friedrich

FRIEDRICH AIR CONDITIONING CO.

Post Office Box 1540 · San Antonio, Texas 78295-1540
4200 N. Pan Am Expressway · San Antonio, Texas 78218-5212
(210) 357-4400 · FAX (210) 357-4480

www.friedrich.com

Printed in the U.S.A.

920-132-01 (6-06)