

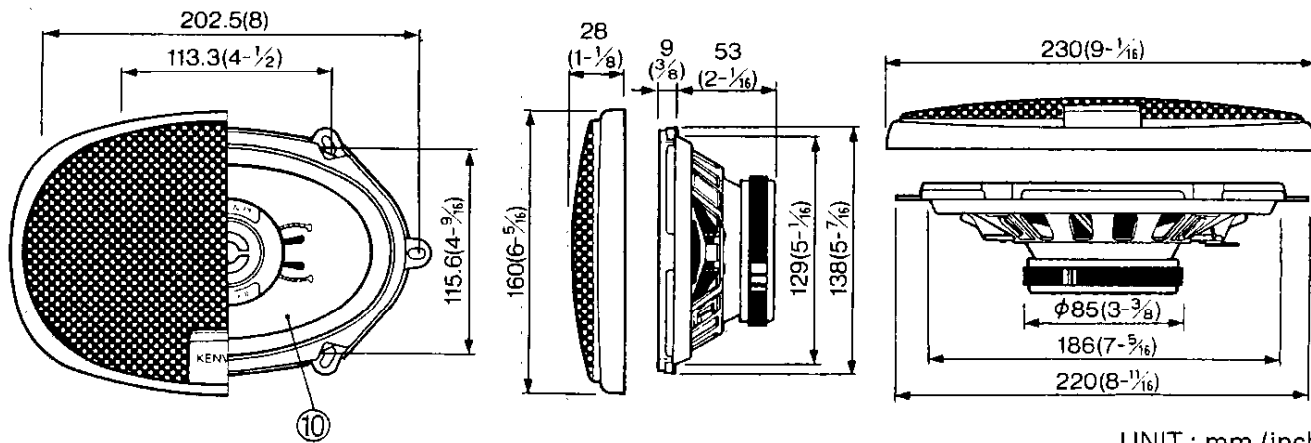
# KFC-HQ570

## SERVICE MANUAL

# KENWOOD

© 1993-3 PRINTED IN JAPAN  
B51-6575-00(O) 432

### EXTERNAL VIEW



UNIT : mm (inch)

### PARTS INCLUDED

- |  |              |
|--|--------------|
| ① $\phi 4 \times 60$<br>( $\phi 3/16 \times 2-3/8$ ) ..... X 8 | ⑥  ..... X 2 |
| ② $\phi 4 \times 25$<br>( $\phi 3/16 \times 1$ ) ..... X 8     | ⑦  ..... X 2 |
| ③ $\phi 4 \times 10$<br>( $\phi 3/16 \times 3/8$ ) ..... X 8   | ⑧  ..... X 1 |
| ④  ..... X 8   | ⑨  ..... X 2 |
| ⑤  ..... X 8   |              |

### SPECIFICATIONS

- |                        |  |
|------------------------|--|
| Speakers               |  |
| Woofer                 | 138 X 195mm (5 X 7 in) Injection P.P.Cone Type |
| Tweeter                | 240g (8.3oz) Magnet                            |
| Tweeter                | 25mm (1 in) Balanced Dome Type                 |
| Peak Power             | 120Watts                                       |
| Frequency Response     | 40Hz ~ 30,000Hz                                |
| Sensitivity            | 91dB/W at 1m                                   |
| Impedance              | 4 Ohms   |
| Net Weight With Grille | 1,820g (4.0lb)/Pair                            |

We follow a policy of advancements in development. For this reason specifications may be changed without notice.

### PARTS LIST

\* New parts

Parts without **Parts No.** are not supplied.

Ref. No.	Address	New	Parts No.	Description	Desti- nation	Re- mark
参照番号	位置	新	部品番号	部品名 / 規格	仕向	備考
<b>K F C - H Q 5 7 0</b>						
① ~ ④		*	N99-1244-08	SCREW SET		
⑤		*	J31-0332-08	COLLAR		
⑥		*	B06-0774-08	GRILLE		
⑦		*	F09-1065-08	PROTECTOR		
⑧		*	J69-0103-08	BUTYL RUBER		
⑨		*	E30-5145-08	CORD SET		
⑩		*	T15-0232-08	SPEAKER		