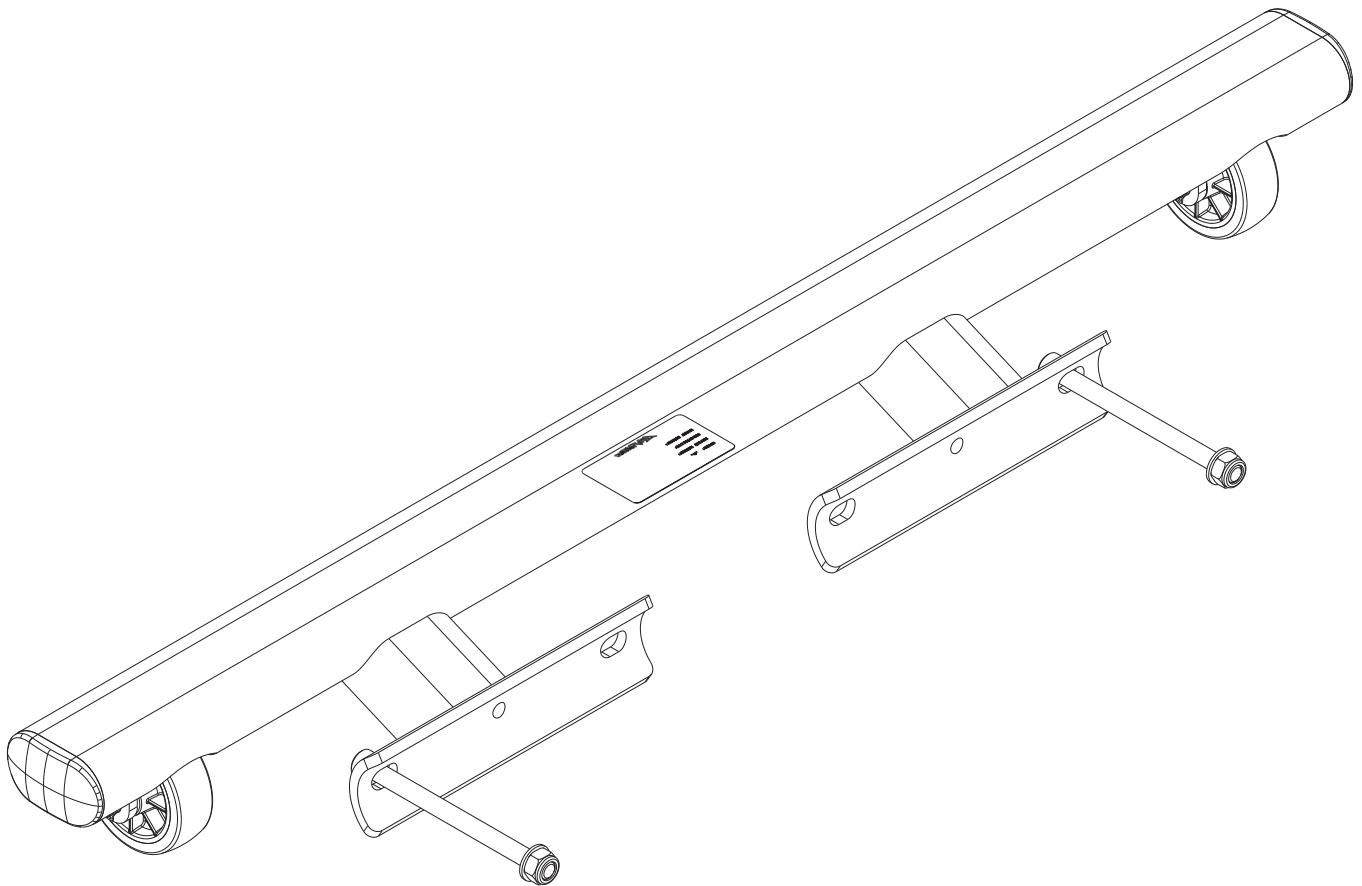




CIRCUIT SERIES
TCWHL
STRENGTH CIRCUIT WHEEL KIT



Customer Support Services
PARTS LIST

TCWHL STRENGTH CIRCUIT WHEEL KIT CONTENTS

| | |
|--------------------|-------|
| COMPONENT ASSEMBLY | pg. 3 |
| FRAME ASSEMBLY | 4 |

COLOR LEGEND

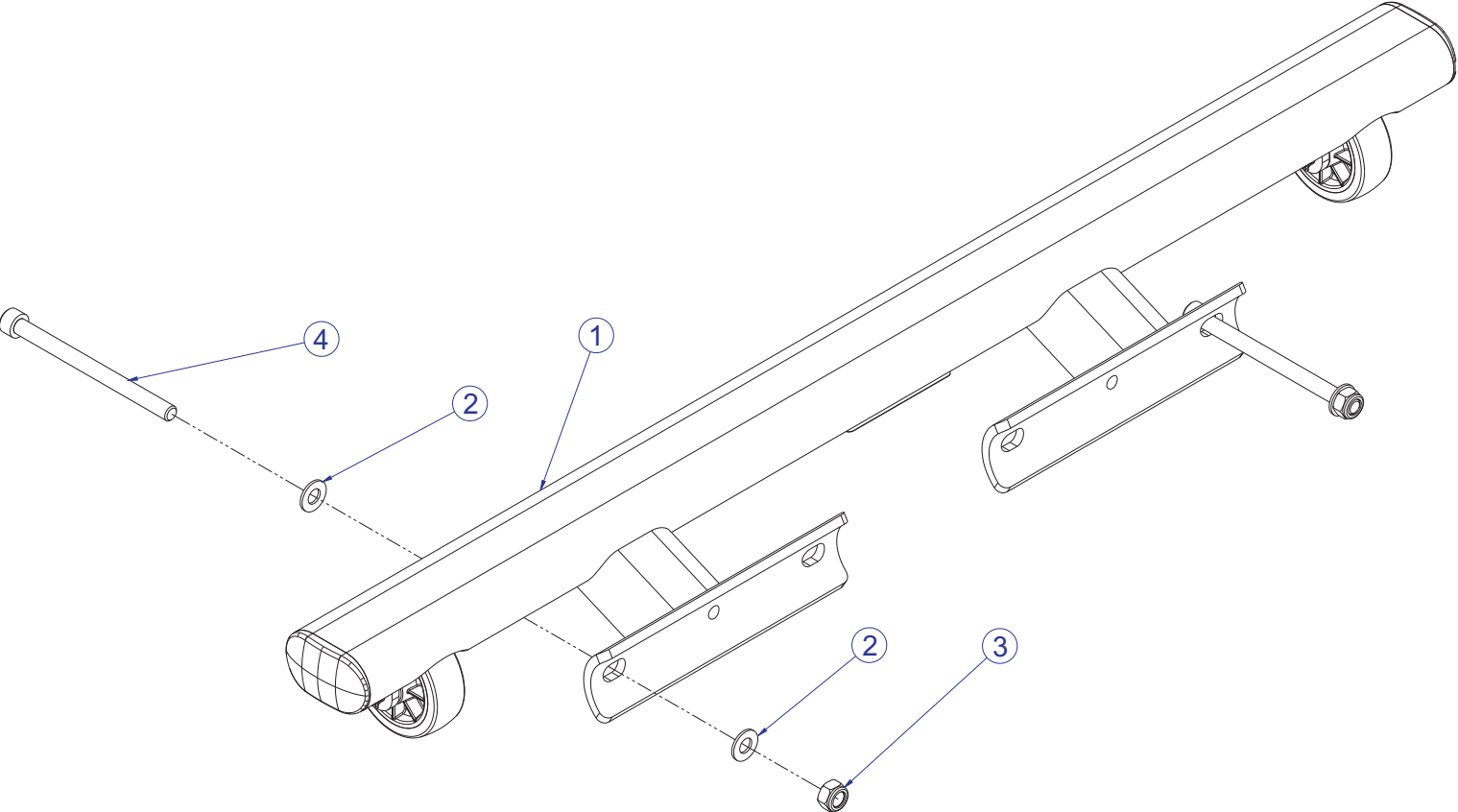
Item numbers ending in 'XX' require paint color.
Replace last two digits from the corresponding code.

01 = White

02 = Platinum

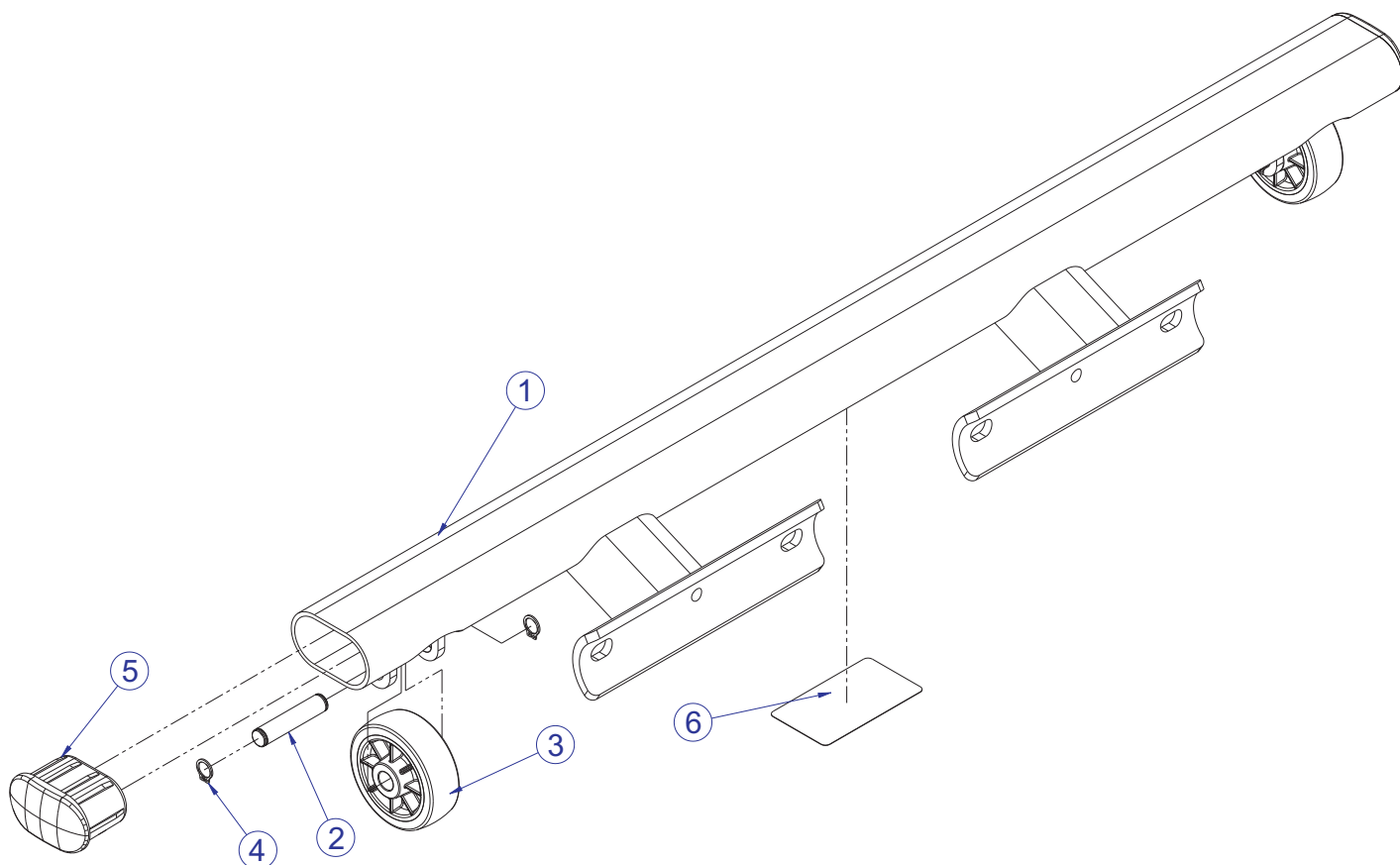
99 = Custom Paint

TCWHL STRENGTH CIRCUIT WHEEL KIT COMPONENT ASSEMBLY



| ITEM NO. | QTY. | PART NO. | DESCRIPTION |
|----------|------|----------|--------------------------------|
| 1 | 1 | 82435XX | ASSY, TCWHL, FRAME |
| 2 | 4 | 3102514 | WASHER, FLAT 3/8" SAE ST ZN |
| 3 | 2 | 3242002 | NUT, M10 X 1.5 HEX NYLOCK |
| 4 | 2 | 3236220 | M10 X 1.5 X 130 SHCS, LOW HEAD |

TCWHL STRENGTH CIRCUIT WHEEL KIT FRAME ASSEMBLY - 8243501



| ITEM NO. | QTY. | PART NO. | DESCRIPTION |
|----------|------|-----------------|---------------------------------|
| 1 | 1 | 82434XX | WLDMT, TCWHL, FRAME |
| 2 | 2 | 8254001 | AXLE, TCWHL, WHEEL |
| 3 | 2 | OK59-01164-0000 | WHEEL, 3.0 OD X .50 ID OVERMOLD |
| 4 | 4 | 3243902 | RING, BRE M12, ST, PP |
| 5 | 2 | 7800501 | CAP, SML FLOV END |
| 6 | 1 | 7571301 | LABEL, SERIAL NUMBER |

TCWHL STRENGTH CIRCUIT WHEEL KIT IMAGE

