



Service Manual / Manuel de Service

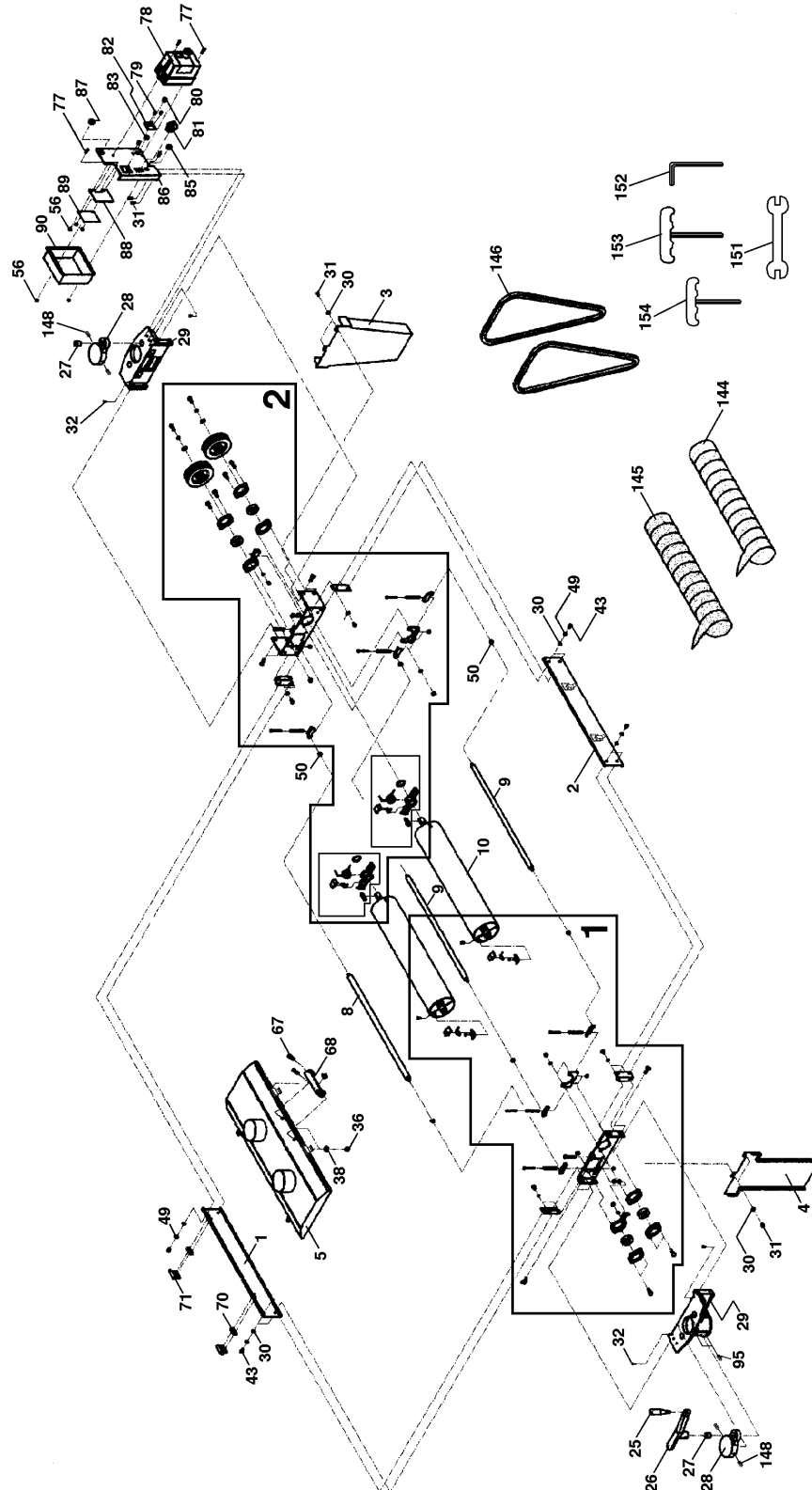
26" x 12" Dual Drum Sander Ponceuse à Tambour Double de 26" x 12"



Revised/Revisé 08/2008

Drum Components Diagram / Diagramme des Composantes des Tambours

KC-26DS





Service Manual / Manuel de Service

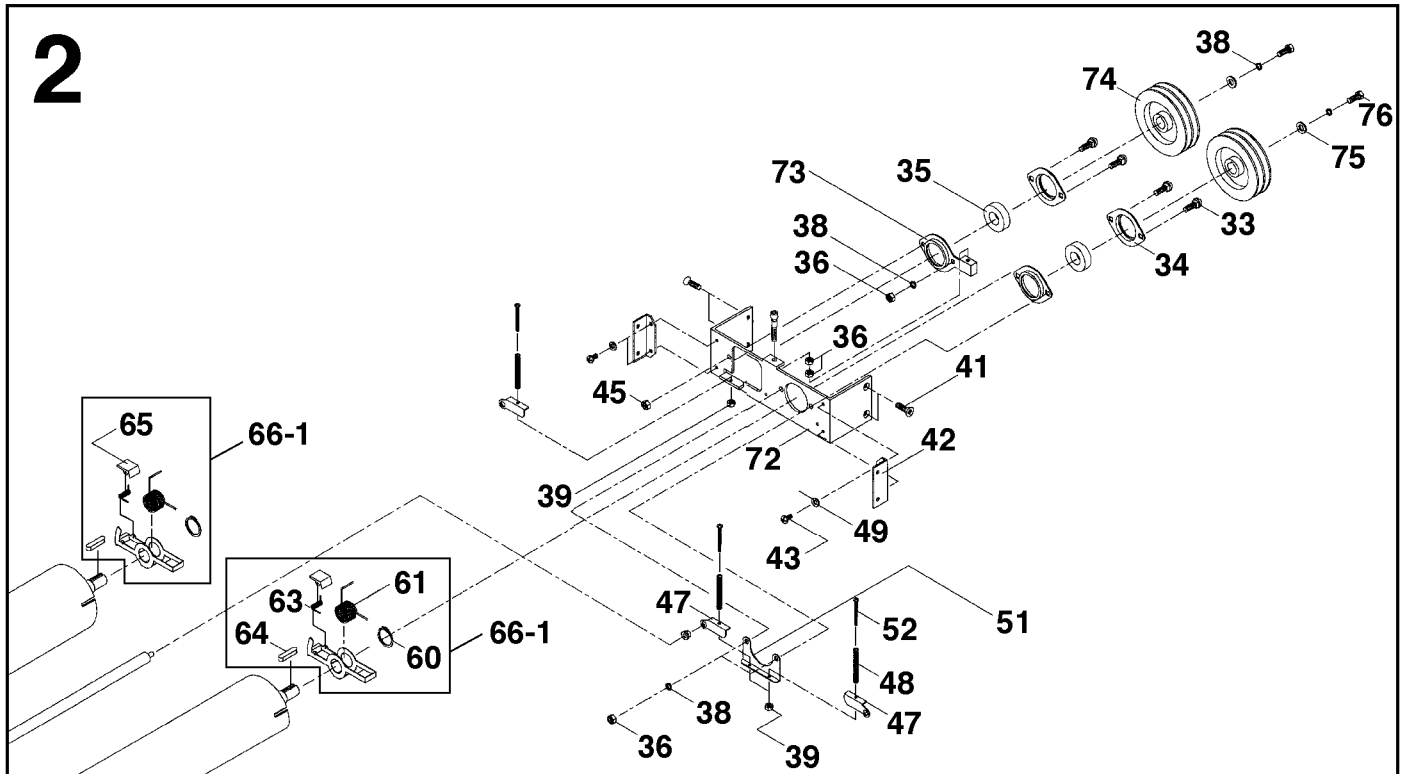
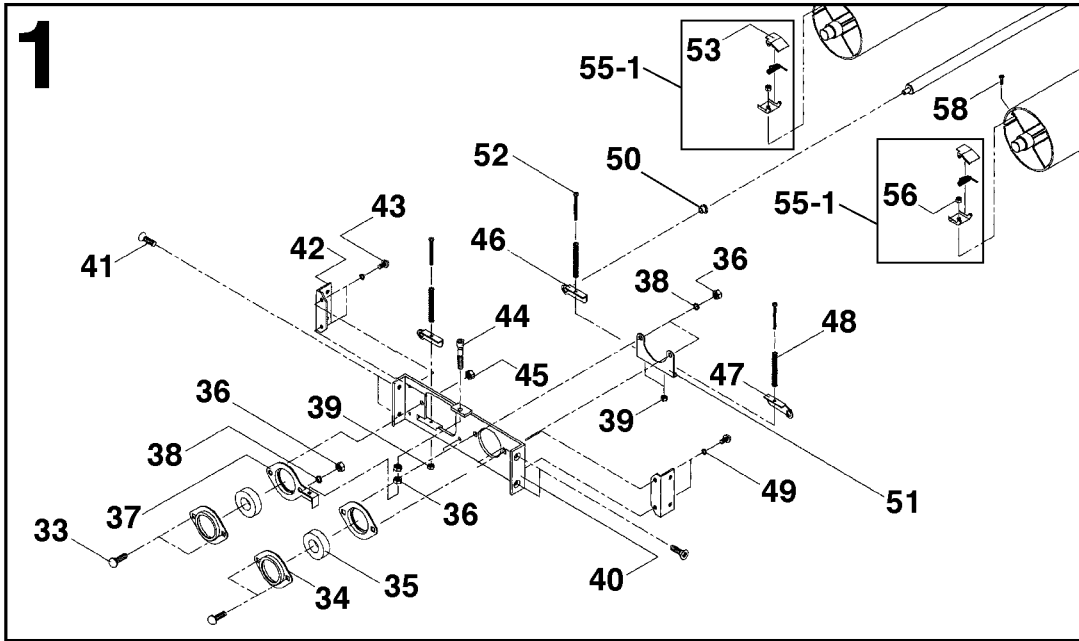
26" x 12" Dual Drum Sander Ponceuse à Tambour Double de 26" x 12"



Revised/Revisé 08/2008

Bearing & Adjustment Components Diagram / Diagramme des Composantes de Roulement et D'Ajustment des Tambours

KC-26DS





Service Manual / Manuel de Service

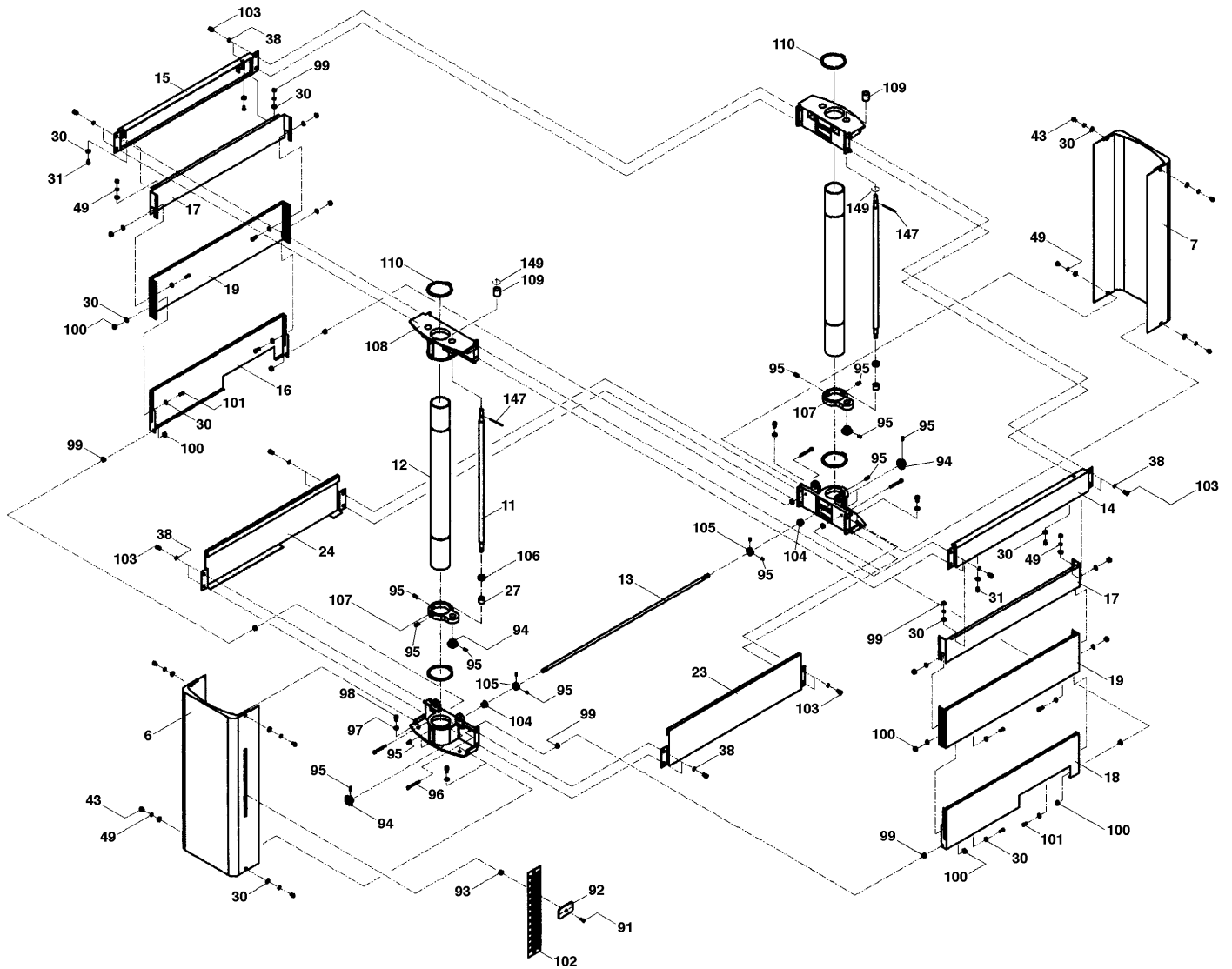
26" x 12" Dual Drum Sander Ponceuse à Tambour Double de 26" x 12"



Revised/Revisé 08/2008

Elevation Components Diagram / Diagramme des Composantes D'Élévation

KC-26DS





Service Manual / Manuel de Service

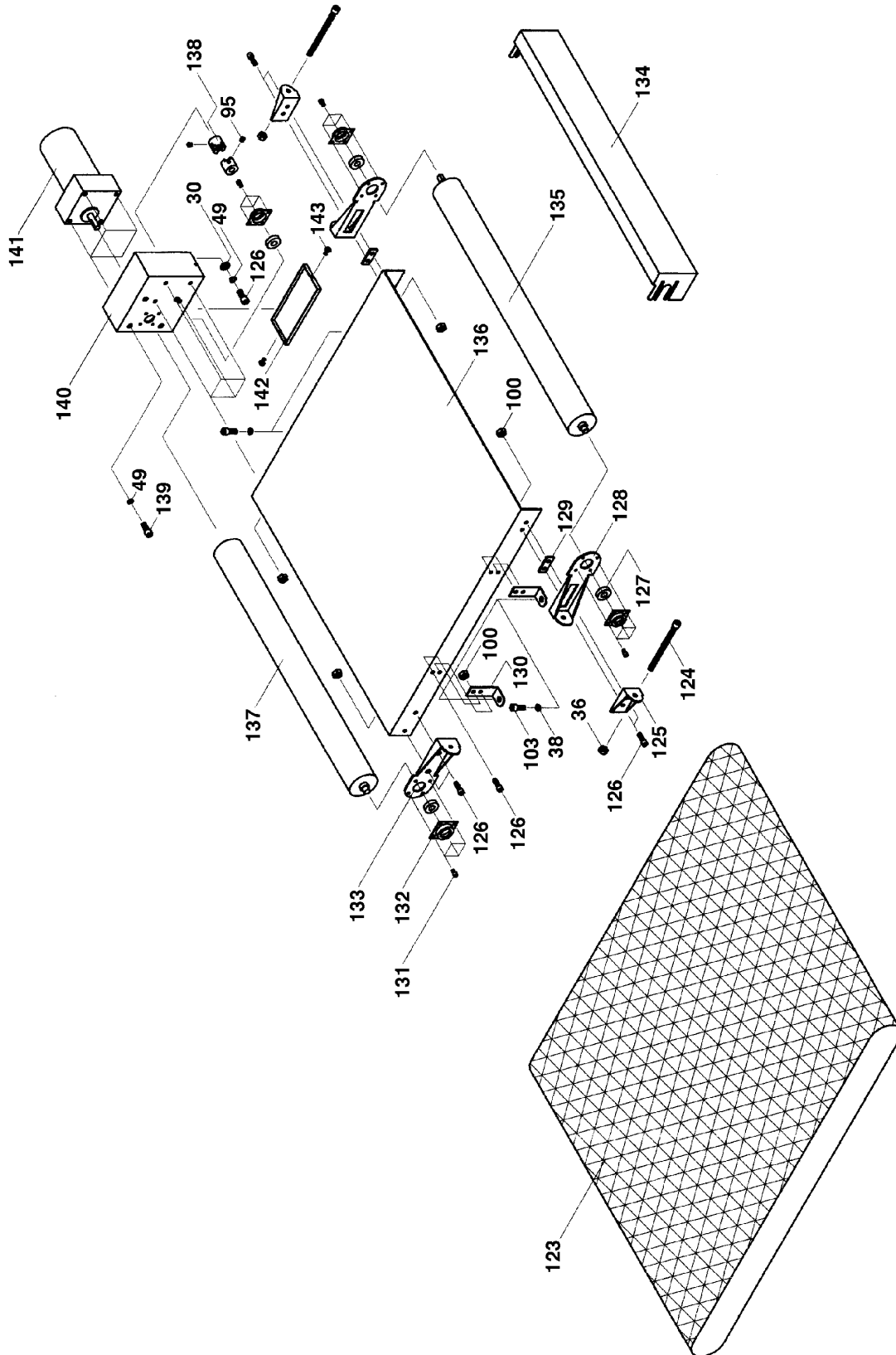
26" x 12" Dual Drum Sander Ponceuse à Tambour Double de 26" x 12"



Revised/Revisé 08/2008

Conveyor Diagram / Diagramme du Convoyeur

KC-26DS





Service Manual / Manuel de Service

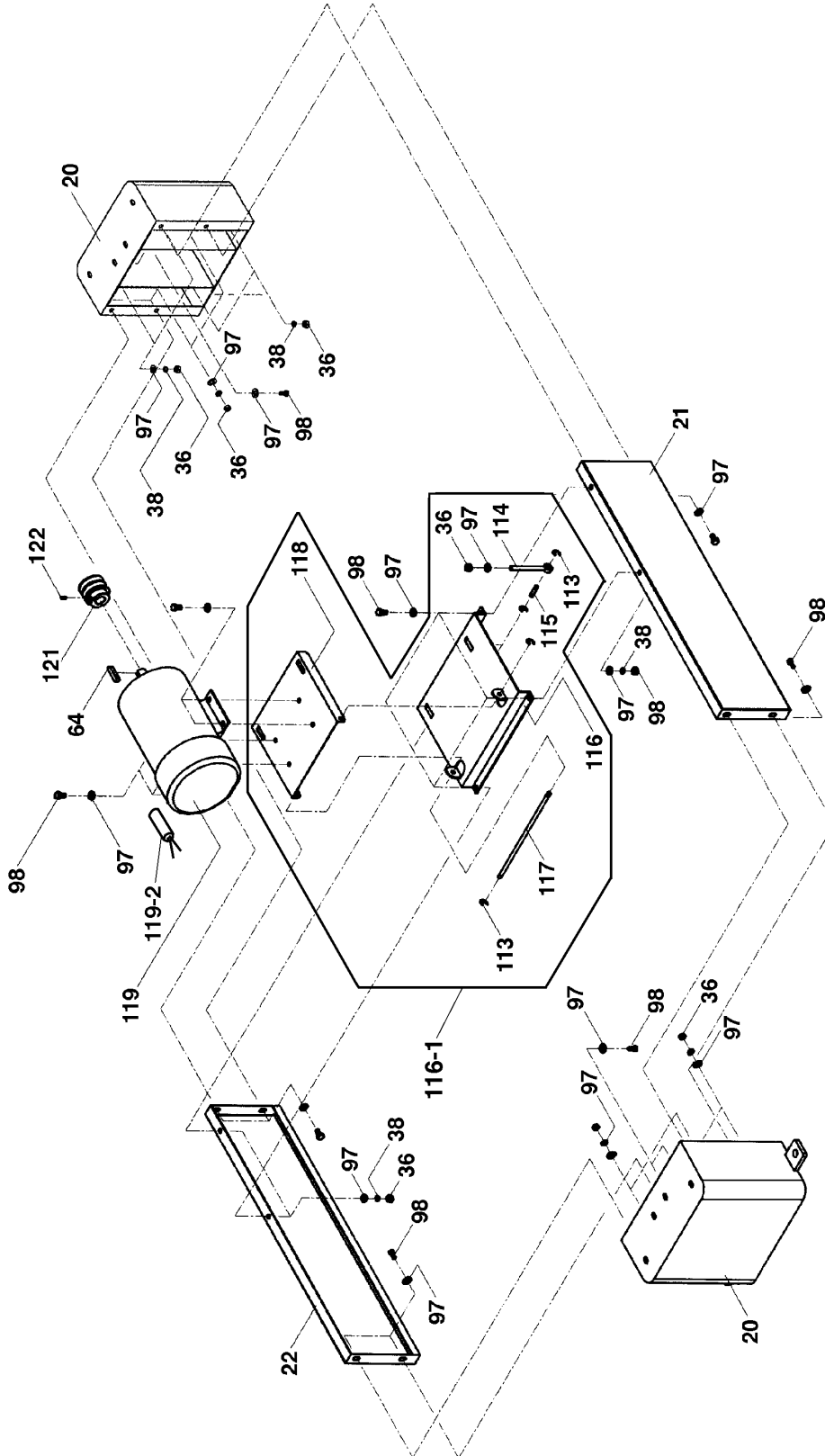
26" x 12" Dual Drum Sander Ponceuse à Tambour Double de 26" x 12"



Revised/Revisé 08/2008

Motor Diagram / Diagramme du Moteur

KC-26DS





Parts Pricing List / Liste de Prix des Pièces **KC-26DS**

Diag.	Order # Com.	English Description	Description Française	Qty./Qté.	Price/Prix
1	1126000010	REAR HEAD PLATE	PLAQUE DE LA TETE ARRIERE	1	\$37.78
2	1126000020	FRONT HEAD PLATE	PLAQUE DE LA TETE AVANT	1	\$43.53
3	1126000030	PULLEY GUARD	PROTECTEUR DE LA POULIE	1	\$44.79
4	1126000040	POST GUARD	PROTECTEUR DE LA TIGE	1	\$40.19
5	1126000050	DUST GUARD	PROTECTEUR DE POUSSIÈRE	1	\$155.25
6	1126000060	COVER (LEFT)	COUVERCLE (GAUCHE)	1	\$114.71
7	1126000070	COVER (RIGHT)	COUVERCLE (DROIT)	1	\$111.26
8	1126000080	PRESSURE SHAFT	TIGE DE PRESSION	1	\$45.83
9	1126000090	SHAFT	TIGE DE PRESSION	2	\$51.69
10	1126000100	DRUM	TAMBOUR	2	\$304.75
11	1126000110	THREADED ELEVATING SHAFT	VIS SANS FIN POUR TABLE	2	\$107.70
12	1126000120	TABLE GUIDE POST	POTEAU GUIDE DE TABLE	2	\$102.06
13	1126000130	DRIVE ROD	TIGE DE COMMANDEMENT	1	\$34.10
14	1126000140	TABLE SUPPORT (FRONT)	SUPPORT DE TABLE (AVANT)	1	\$74.69
15	1126000150	TABLE SUPPORT (REAR)	SUPPORT DE TABLE (ARRIÈRE)	1	\$74.69
16	1126000160	BOTTOM SHIELD PLATE (REAR)	PANNEAU DU BAS (ARRIÈRE)	1	\$63.19
17	1126000170	SHIELD PLATE	PANNEAU DE PROTECTION	2	\$57.44
18	1126000180	BOTTOM SHIELD PLATE (FRONT)	PANNEAU DU BAS (AVANT)	1	\$63.19
19	1126000190	MOVABLE SHIELD PLATE	PANNEAU MOBILE	2	\$62.04
20	1126000200	BASE SUPPORT (RH-LH)	SUPPORT DE BASE	2	\$137.71
21	1126000210	PARTITION PLATE (REAR)	PLAQUE (ARRIÈRE)	1	\$63.08
22	1126000220	PARTITION PLATE (FRONT)	PLAQUE (AVANT)	1	\$63.08
23	1126000230	FRONT COVER	COUVERCLE AVANT	1	\$74.69
24	1126000240	REAR COVER	COUVERCLE ARRIÈRE	1	\$74.69
25	1126000250	HANDLE	POIGNEE	1	\$12.59
26	1126000260	ELEVATION HANDLE	POIGNEE D'ELEVATION	1	\$28.58
27	1126000270	BRONZE COLLAR	BAGUE EN BRONZE	4	\$9.14
28	1126000280	POST COVER	COUVERCLE DU POTEAU	2	\$33.06
29	1126000290	UPPER BRACKET	SUPPORT SUPERIEUR	2	\$43.53
30	1126000300	WASHER	RONDELLE	40	\$1.55
31	1126000310	HEX. BOLT	BOULON HEXAGONAL	10	\$1.50
32	1126000320	BUMPER	TAMPON	4	\$2.13
33	1126000330	CARRIAGE BOLT	BOULON DE CARROSSERIE	8	\$2.13
34	1126000340	BEARING CAP	CAPUCHON DE ROULEMENT	6	\$6.50
35	1126000350	BALL BEARING	ROULEMENT A BILLES	4	\$19.49
36	1126000360	HEX. NUT	ÉCROU HEXAGONAL	30	\$1.55
37	1126000370	LEFT MICRO-ADJUST. BEARING CAP	COUV./ROULE. & MICRO-AJUST. GAUCHE	1	\$12.94
38	1126000380	SPRING WASHER	RONDELLE A RESSORT	34	\$1.67
39	1126000390	NYLON HEX. NUT	ÉCROU HEXAGONALE AVEC NYLON	6	\$2.01
40	1126000400	LEFT BEARING HOUSING	BOITIER DU ROULEMENT GAUCHE	1	\$28.69
41	1126000410	COUNTERSUNK HEAD SCREW	VIS A TETE FRAISEE	8	\$1.90
42	1126000420	ANGLE PLATE	PLAQUE A ANGLE	4	\$5.35
43	1126000430	PAN HEAD SCREW	VIS A TETE BOMBEE	24	\$1.61
44	1126000440	MICRO-ADJUSTING SCREW	VIS MICRO-ADJUSTEMENT	2	\$2.01
45	1126000450	NYLON HEX. NUT	ÉCROU HEXAGONAL AVEC NYLON	2	\$1.78
46	1126000460	PRESSURE PLATE (RIGHT)	PLAQUE DE PRESSION (DROITE)	3	\$9.03
47	1126000470	PRESSURE PLATE (LEFT)	PLAQUE DE PRESSION (GAUCHE)	3	\$9.03

Pricing subject to change without prior notice. / Prix sujet à changement sans préavis.



Parts Pricing List / Liste de Prix des Pièces **KC-26DS**

Diag.	Order # Com.	English Description	Description Française	Qty./Qté.	Price/Prix
48	1126000480	SPRING	RESSORT	6	\$3.05
49	1126000490	SPRING WASHER	RONDELLE A RESSORT	36	\$1.50
50	1126000500	PRESSURE SHAFT BRONZE COVER	COUVERCLE/PLAQUE DE PRESSION	6	\$3.74
51	1126000510	PRESSURE PLATE BRACKET	SUPPORT/PLAQUE DE PRESSION	2	\$7.88
52	1126000520	PAN HEAD SCREW	VIS A TETE BOMBEE	6	\$2.70
53	1126000530	FIXED CLAMP	CRAMPON FIXE	2	\$3.16
55-1	1126000551	FIXED CLAMP BRACKET COMP. (SM.)	SUPPORT FIXE DE SERRAGE COMP.	2	\$13.74
56	1126000560	HEX. NUT	ECROU HEXAGONAL	4	\$1.55
58	1126000580	PAN HD SCREW	VIS A TETE BOMBEE	2	\$1.55
60	1126000600	RETAINING RING/SHAFT	ANNEAU DE RETENU	2	\$2.36
61	1126000610	BIG SPRING FOR PULL CLAMP	GRAND RESSORT POUR LEVIER	2	\$11.44
63	1126000630	SMALL SPRING FOR PULL CLAMP	PETIT RESSORT POUR LEVIER	2	\$3.16
64	1126000640	KEY	CLE DE RETENUE	3	\$2.24
65	1126000650	PULL CLAMP	LEVIER DE SERRAGE	2	\$3.39
66-1	1126000661	PULL CLAMP BRACKET COMP. (LRG)	SUPPORT DU LEVIER DE RET. COMP.	2	\$25.01
67	1126000670	CAP SCREW	BOULON A TETE CYLINDRIQUE	2	\$2.07
68	1126000680	DUST GUARD HANDLE	POIGNEE DU COUVERCLE	1	\$6.04
70	1126000700	PAD	TAMPON	2	\$3.39
71	1126000710	COVER HINGE	CHARNIERE	2	\$4.54
72	1126000720	RIGHT BEARING HOUSING	BOITIER DU ROULEMENT DROIT	1	\$28.69
73	1126000730	RIGHT MICRO-ADJ BEARING CAP	COUV. ROULEMENT & MICRO AJUST DR.	1	\$12.94
74	1126000740	DRIVEN PULLEY	POULIE D'ENTRAINEMENT	2	\$68.83
75	1126000750	WASHER	RONDELLE	2	\$1.67
76	1126000760	LEFT THREADED SCREW	VIS (FILET GAUCHE) 5/16" - 18 X 3/4"	2	\$3.39
77	1126000770	PAN HD SCREW	VIS A TETE BOMBEE	7	\$1.67
78	1126000780	MAGNETIC SWITCH 220V-17.5AMP	INTERRUPTEUR MAGNETIQUE	1	\$251.68
79	1126000790	PAN HD SCREW	VIS A TETE BOMBEE	2	\$1.61
80	1126000800	REGULATOR KNOB	BOUTON REGULATEUR	1	\$4.31
81	1126000810	SWITCH (4 PRONG)	INTERRUPTEUR (4 PATTES)	1	\$11.49
82	1126000820	ELECTRICAL INSULATION BOARD	PANNEAU D'ISOLATION ELECTRIQUE	1	\$2.59
83	1126000830	CORD COLLAR	PROTEGE-CORDON	1	\$2.24
85	1126000850	STRAIN RELIEF	ATTACHE-FIL	1	\$3.28
86	1126000860	SWITCH MOUNTING PLATE	PLAQUE DE FIXATION	1	\$28.58
87	1126000870	STRAIN RELIEF	ATTACHE-FIL	1	\$3.74
88	1126000880	PC BOARD FIX PLATE	PLAQUE DE FIXATION	1	\$4.31
89	1126000890	PC BOARD	PLAQUE DE CIRCUIT IMPRIME	1	\$66.64
90	1126000900	SWITCH REAR GUARD	PROTECTEUR ARRIERE	1	\$20.64
91	1126000910	PAN HD SCREW	VIS A TETE BOMBEE	1	\$1.67
92	1126000920	INDICATOR	INDICATEUR	1	\$3.74
93	1126000930	SPACER	ESPACEUR	1	\$1.67
94	1126000940	BEVEL GEAR	ENGRENAGE EN BISEAU	4	\$20.53
95	1126000950	SET SCREW	VIS SANS TETE	18	\$1.61
96	1126000960	CAP SCREW	BOULON A TETE CYLINDRIQUE	4	\$2.24
97	1126000970	WASHER	RONDELLE	30	\$1.61
98	1126000980	HEX. BOLT	BOULON HEXAGONAL	30	\$1.73
99	1126000990	HEX. NUT	ECROU HEXAGONAL	16	\$1.55
100	1126001000	NYLON HEX. NUT	ECROU HEXAGONAL AVEC NYLON	24	\$1.73

Pricing subject to change without prior notice. / Prix sujet à changement sans préavis.



Parts Pricing List / Liste de Prix des Pièces **KC-26DS**

Diag.	Order # Com.	English Description	Description Française	Qty./Qté.	Price/Prix
101	1126001010	HEX. BOLT	BOULON HEXAGONAL	8	\$1.73
102	1126001020	GRADUATED SCALE	ECHELLE GRADUEE	1	\$9.14
103	1126001030	CAP SCREW	VIS A TETE CYLINDRIQUE	16	\$1.90
104	1126001040	SHOULDER BUSHING BRONZE	BAGUE D'EPAULEMENT EN BRONZE	2	\$2.13
105	1126001050	POSITIONING COLLAR	COLLIER DE POSITIONNEMENT	2	\$5.00
106	1126001060	THRUST BEARING	ROULEMENT	2	\$33.29
107	1126001070	SCREW HOLDER	PORTE VIS	2	\$26.39
108	1126001080	SLIDE	GLISSIERE	2	\$55.14
109	1126001090	WORM SHAFT BUSHING	BAGUE DE LA VIS SANS FIN	2	\$20.64
110	1126001100	SNAP RING	ANNEAU A RESSORT	4	\$7.88
113	1126001130	"E" RETAINING RING	ANNEAU DE RETENUE EN "E"	6	\$1.55
114	1126001140	SCREW WITH LOOP	VIS AVEC ANNEAU	2	\$11.21
115	1126001150	POSITIONING SHAFT	TIGE DE POSITIONNEMENT	2	\$3.28
116	1126001160	MOTOR BASE	BASE DU MOTEUR	1	\$51.69
116-1	1126001161	MOTOR BASE ASS'Y	BASE DU MOTEUR ASS'Y	1	\$97.69
117	1126001170	BASE SHAFT	TIGE DE LA BASE	1	\$4.89
118	1126001180	MOTOR ADJUSTMENT PLATE	PLAQUE D'AJUSTEMENT DU MOTEUR	1	\$30.99
119	1126001190	MOTOR	MOTEUR	1	\$401.35
119-2	1126001192	STARTING CAPACITOR	CONDENSATEUR DE DEMARRAGE	1	\$28.69
121	1126001210	DRIVE PULLEY	POULIE	1	\$28.69
122	1126001220	SET SCREW	VIS SANS TETE	1	\$1.67
123	1126001230	CONVEYOR BELT	TABLIER D'ENTRAINEMENT	1	\$492.66
124	1126001240	CAP SCREW	VIS A TETE CYLINDRIQUE	2	\$2.93
125	1126001250	MICRO ADJUSTMENT BLOCK	BLOC MICRO-AJUSTABLE	2	\$8.80
126	1126001260	CAP SCREW	VIS A TETE CYLINDRIQUE	14	\$2.24
127	1126001270	SPECIAL BALL BEARING	ROULEMENT A BILLES SPECIAL	4	\$11.44
128	1126001280	MICRO ADJUSTMENT FIX BLOCK	BLOC DE FIXATION MICRO-AJUSTABLE	2	\$13.74
129	1126001290	PAD	TAMPON	2	\$4.54
130	1126001300	TABLE BRACKET	SUPPORT DE LA TABLE	4	\$7.99
131	1126001310	PAN HD SCREW	VIS A TETE BOMBEE	16	\$1.50
132	1126001320	BEARING CAP	CAPUCHON DU ROULEMENT	4	\$4.54
133	1126001330	POSITIONING PLATE	PLAQUE DE POSITIONNEMENT	1	\$13.40
134	1126001340	TABLE GUARD	PROTECTEUR DE LA TABLE	1	\$34.33
135	1126001350	CONVEYOR ROLLER (METAL)	ROULEAU DU CONVOYEUR (METAL)	1	\$113.56
136	1126001360	SANDING BELT PLATE	PLAQUE DE LA TABLE	1	\$172.33
137	1126001370	DRIVE ROLLER (RUBBER)	ROULEAU DE TRANSMISSION (CAOUT.)	1	\$183.94
138	1126001380	SHAFT JOINT	JOINT D'EMBRAYAGE	2	\$5.69
139	1126001390	CAP SCREW	VIS A TETE CYLINDRIQUE	4	\$2.24
140	1126001400	ELECTRIC CONTROL BOX	BOITE DE CONTROLE	1	\$68.94
141	1126001410	SPEED REDUC. GEAR BOX/MOTOR	MOTEUR ET BOITIER ENGR./REDUC.	1	\$447.35
142	1126001420	BOT. COVER, ELECT. CONTROL BOX	COUVERCLE INFERIEUR	1	\$7.99
143	1126001430	FLANGE HEAD SCREW	VIS A TETE BRIDEE	2	\$1.67
144	SB-5120-80	SANDING BELT	COURROIE DE PONCAGE	1	-
145	SB-5120-120	SANDING BELT	COURROIE DE PONCAGE	1	-
146	1126001460	V-BELT	COURROIE EN "V"	2	\$20.21
147	1126001470	SPRING PIN	GOUPILLE A RESSORT	2	\$1.67
148	1126001480	SET SCREW	VIS SANS TETE	4	\$1.55

Pricing subject to change without prior notice. / Prix sujet à changement sans préavis.



® Parts Pricing List / Liste de Prix des Pièces **KC-26DS**

Diag.	Order # Com.	English Description	Description Française	Qty./Qté.	Price/Prix
149	1126001490	RETAINING RING/SHAFT	ANNEAU DE RETENUE/ARBRE	2	\$1.55
151	1126001510	OPEN END WRENCH (12-14MM)	CLE OUVERTE (12-14MM)	1	\$4.54
152	1126001520	HEX. KEY (5MM)	CLE HEXAGONALE (5MM)	1	\$2.93
153	1126001530	"T" HEX. KEY (6MM X 150MM)	CLE HEX. EN "T" (6MM X 150MM)	1	\$6.84
154	1126001540	"T" HEX. KEY (2MM X 100MM)	CLE HEX. EN "T" (2MM X 100MM)	1	\$6.73
	1126005555	TOOL AND HANDLE BAG	SAC DE POIGNEES ET OUTILS	1	\$52.84
	112600MBIL	BILINGUAL MANUAL KC-26DS	MANUEL BILINGUE KC-26DS	1	\$15.00