

# FRIGIDAIRE

GALLERY



## Drop-In Cooktops

FGGC3065K S/W/B

30" Gas



### More Easy-To-Use Features

Sealed Burner (12,000 BTU)

Sealed Burner (9,500 BTU)

Glass Design Cooktop

### Overall Exterior Dimensions

Height 4-5/8"

Width 30"

Depth 21-1/2"

### Available in:



Stainless  
(S)



White  
(W)



Black  
(B)

### Signature Features



#### Quick Boil

Boil water fast with our 17,000 BTU burner.



#### Express-Select™ Controls

Easily go from warm to boil.



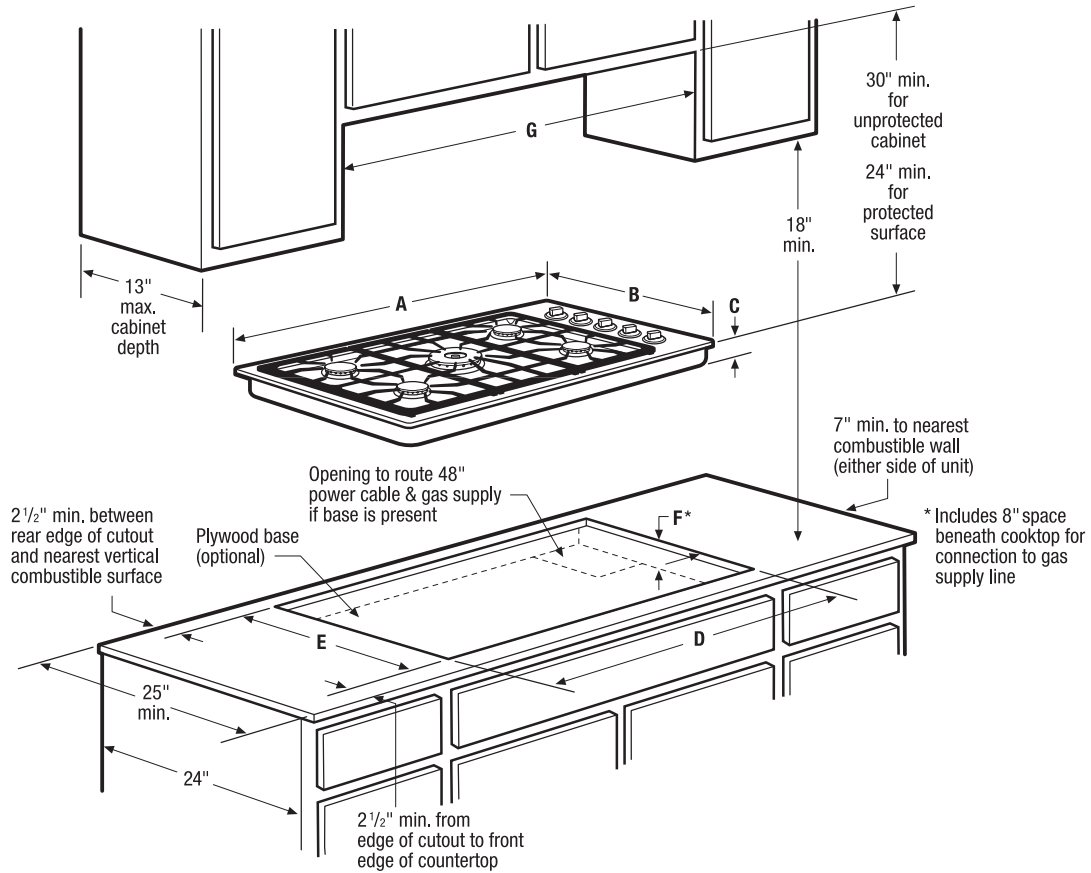
#### Continuous Grates

Continuous grates make it easy to move heavy pots and pans between burners without lifting.



#### Low-Simmer Burner

Perfect for delicate foods and sauces.



Overall Product Dimensions			Product Cutout Dimensions			G - Cabinet Opening Width	Power Supply Connection Location	Gas Supply Connection Location
A - Width	B - Depth	C - Height	D - Width	E - Depth	F - Height*			
30"	21-1/2"	4-5/8"	26-5/8" min. 26-7/8" max.	19" min. 19-3/8" max.	8" min.	30" min.	Right Rear	Right Rear

**Drop-In Cooktop Specifications**

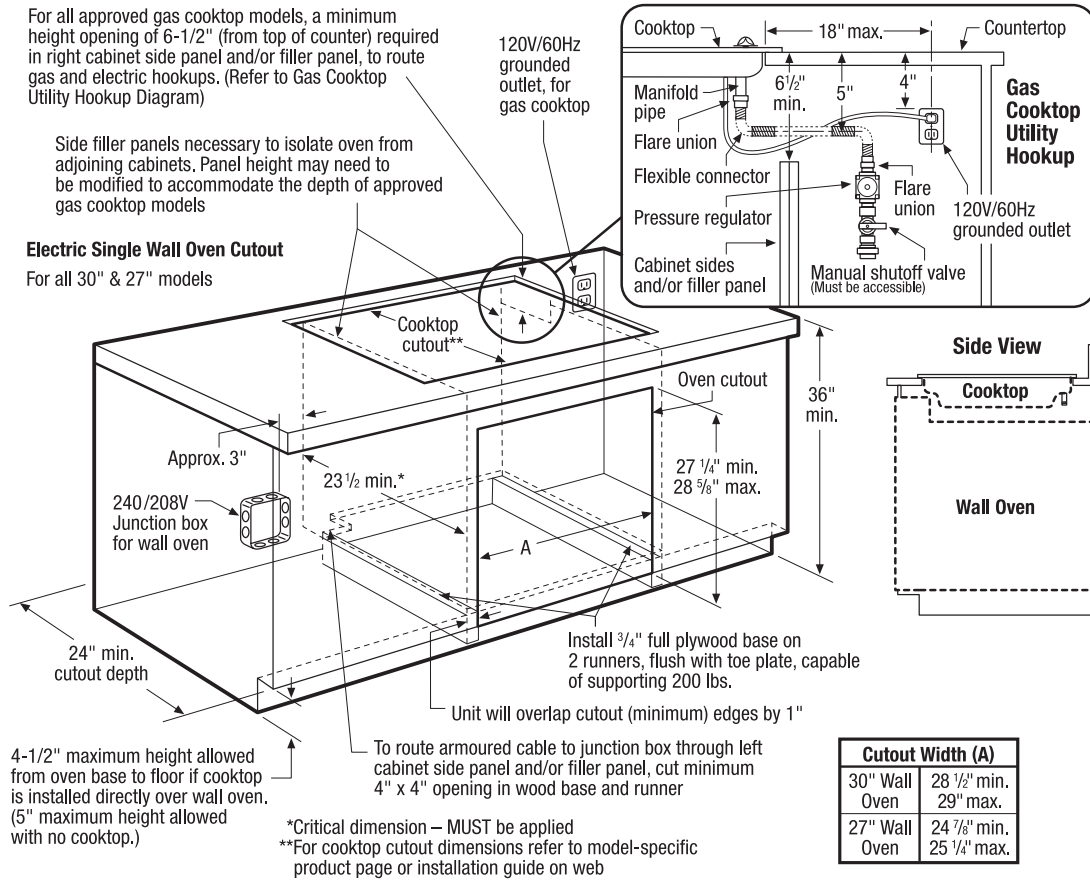
- Product Shipping Weight (approx.) - 60 Lbs.
- Voltage Rating - 120V / 60 Hz / 15 Amps
- For use on adequately wired 120V, dedicated circuit having 2-wire service with a separate ground wire. Appliance must be grounded for safe operation.
- Amps @ 120 Volts = 1.0 Amps
- Always consult local and national electric and gas codes.
- Recommended location for grounded 120V outlet is on rear wall in an 8" wide by 10" high area, positioned 22" above floor surface and 4" from right side of cooktop centerline. Access to underside of cooktop and junction box must be provided for inspection and service.
- Cooktop ships with 3/4" factory regulator.
- LP Gas conversion kit supplied.
- Overhead cabinetry should not exceed a 13" maximum depth.
- Allow 30" minimum clearance between top of cooktop and bottom of unprotected wood or metal overhead cabinetry.
- Absolute minimum horizontal distance between overhead cabinets installed to either side of appliance must be no less than 30".
- Allow 24" minimum clearance when bottom of wood or metal overhead cabinet is protected by not less than 1/8" flame-retardant millboard covered with not less than No. 28 MGS sheet steel, 0.015" stainless steel, 0.024" aluminum or 0.020" copper.
- Allow 2-1/2" minimum distance between rear edge of cutout and nearest combustible surface above countertop.
- Allow 7" minimum clearance from edge of cooktop to nearest combustible wall on either side of unit.
- Installation of drawers beneath cooktop requires minimum 8" clearance beneath countertop surface and assured clearance for gas and electrical connections.
- To reduce risk of fire when using overhead cabinetry, install range hood that projects horizontally a recommended minimum of 5" beyond bottom of cabinets.
- Gas Drop-In Cooktop model FGGC3065K is approved to be used over any Frigidaire® Electric Single Wall Oven. (Refer to Gas Cooktop Installation Over 30"/27" Electric Single Wall Oven Specifications page on web.)
- Gas Drop-In Cooktop model FGGC3065K is approved to be used in combination with any Frigidaire® 30" Downdraft Vent. (Refer to model-specific Downdraft Vent product page on web for detailed countertop preparation specifications.)

**Note:** For planning purposes only. Refer to Product Installation Guide on the web at [frigidaire.com](http://frigidaire.com) for detailed instructions.

**Optional Accessories**

- Granite Countertop Installation Kit - (PN # 903103-9010).





### 30"/27" Electric Single Wall Oven Under-Counter Installation Specifications

- Single phase 3- or 4-wire cable, 120/240 or 120/208 Volt, 60 Hertz AC only electrical supply with ground required on separate circuit fused on both sides of line.
- For detailed electrical requirements, refer to model-specific product page and installation guide on web.
- Always consult local and national electric codes.
- Minimum 21" clearance for oven door depth when open.
- Minimum 23-1/2" deep cutout dimension is critical for proper installation, to ensure that oven's faceplate will fit flush against cabinet front.
- Full oven base of solid plywood or similar material required, capable of supporting 200 Lbs. Install over two runners and flush with toe plate.
- Base must be level and cabinet front must be square.
- Allow 5" maximum height from oven base to floor, if NO cooktop is installed directly over wall oven.

### Gas Cooktop Installation Over 30"/27" Electric Single Wall Oven Specifications

- All Frigidaire® Electric Single Wall Ovens are approved to be used beneath any approved Frigidaire® Gas Cooktop.
- For detailed Gas Cooktop installation, refer to model-specific product page and installation guide on web.
- Side filler panels necessary to isolate oven from adjoining cabinets. Panel height may need to be modified to accommodate the depth of approved gas cooktop models.
  - Minimum height opening of 6-1/2" (from top of counter) required in right cabinet side panel and/or filler panel, to route gas and electric hookups.
  - Allow 4-1/2" maximum height from oven base to floor, if cooktop is installed directly over wall oven.

**Note:** For planning purposes only. Refer to Product Installation Guide on the web at [frigidaire.com](http://frigidaire.com) for detailed instructions.