

## FEATURES

All coils are compatible with R22 or R410A  
All drain pans are compatible with UV lights

### EC1P/EM1P

Cased  
Upflow/Counterflow (EC1P) for application flexibility  
Upflow/Horizontal (EM1P) for application flexibility  
Microban® antimicrobial additive in the drain pan to resist mold and mildew growth  
One of the lowest water retention drain pans in the industry to minimize mold and mildew growth  
Insulated galvanized steel coil case with durable embossed finish  
Interlocking door assemblies and snug line seal grommets to minimize air leakage  
External cabinet mounted distributor body designed for easy changing of orifice sizes and fast TXV connections  
Foil-face insulation for easy cleaning  
Two dual drain connections on front of coil for installation flexibility of drain lines around furnace vent and utility connections  
Side drain pan built in for easy horizontal coil installations (EM1P only)  
Tubing located at door split for easy coil service or coil cleaning

### EU1P

Uncased  
Upflow/Counterflow for application flexibility  
Microban® antimicrobial additive in the drain pan to resist mold and mildew growth  
One of the lowest water retention drain pans in the industry to minimize mold and mildew growth  
Two dual drain connections on front of coil for installation flexibility of drain lines around furnace vent and utility connections  
Orifice assembly designed for easy changing of orifice sizes and fast TXV connections

### EH1P

Cased  
Dedicated horizontal  
Microban® antimicrobial additive in the drain pan to resist mold and mildew growth  
Drain pan has trough to fully drain condensate away  
Insulated galvanized steel coil case with durable embossed finish  
Top, front, and back panels are removable for easy service or coil cleaning  
Dual condensate drains on front and back of coil allows flexibility of placement to accommodate left or right airflow furnaces  
Foil faced insulation for easy cleaning  
Refrigerant connections on top of coil for ease of installation in left or right airflow furnaces

Warranty - 5- year limited



ARI Certified

Certification applies only when used with proper components as listed with ARI.

## Ducane Evaporator Coils

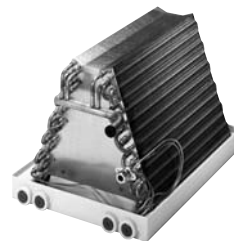
### EC1P



### EM1P



### EU1P



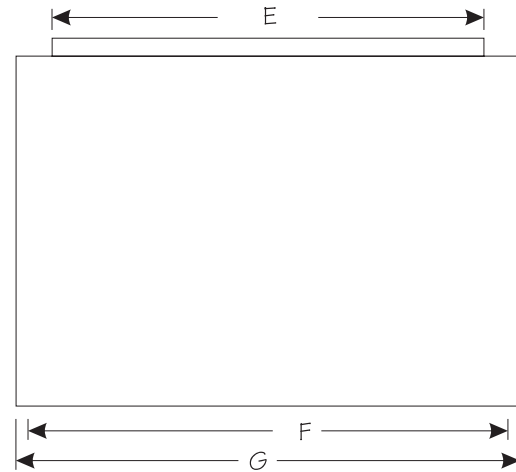
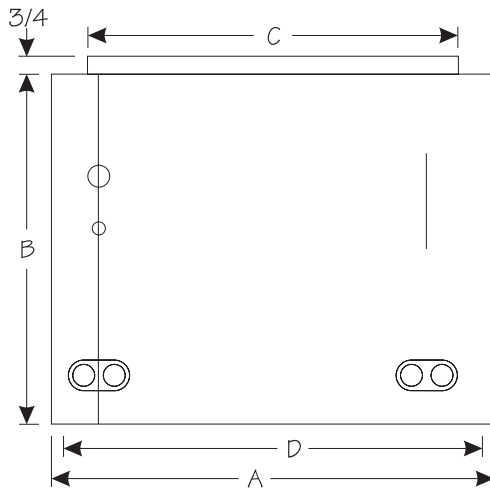
### EH1P



**Ducane**<sup>®</sup>  
AIR CONDITIONING  
AND HEATING

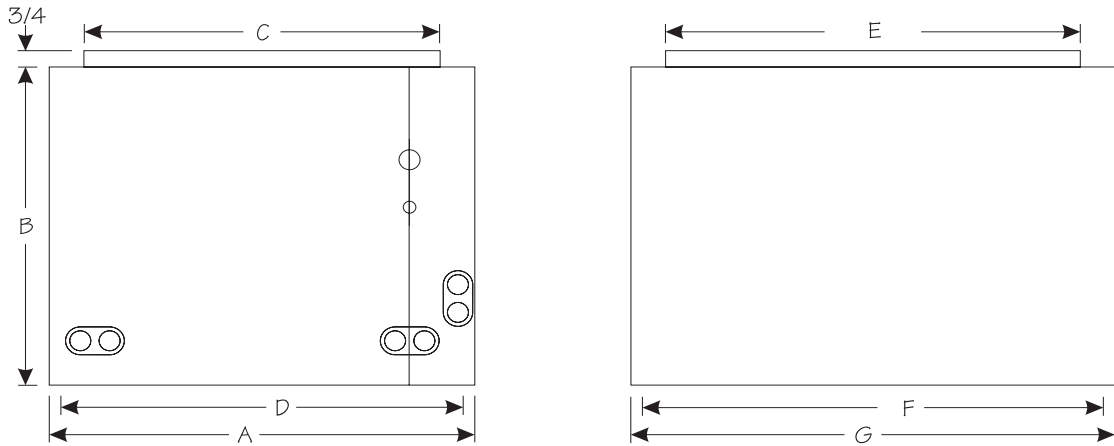


## Dimensions - Cased



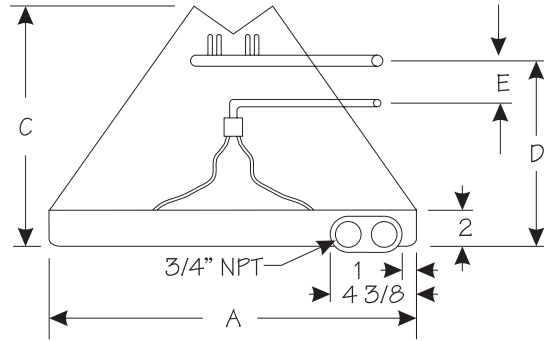
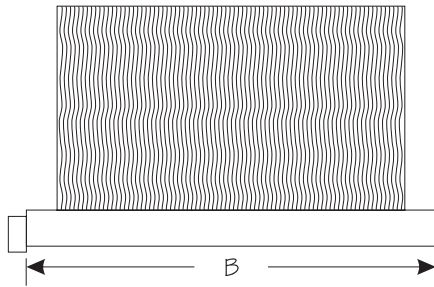
Model	A (in.)	B (in.)	C (in.)	D (in.)	E (in.)	F (in.)	G (in.)	Orifice	Refrigerant Connections		Weight (lbs.)
									Liquid (in.)	Vapor (in.)	
EC1P19NAM	13 1/2	16 1/2	12	12 1/2	20	21	21 1/2	55	3/8	3/4	25
EC1P18NAM	13 1/2	16 1/2	12	12 1/2	20	21	21 1/2	55	3/8	3/4	33
EC1P23NAM	13 1/2	18 1/2	12	12 1/2	20	21	21 1/2	67	3/8	3/4	32
EC1P23NBM	17 1/4	18 1/2	15 3/4	16 1/4	20	21	21 1/2	67	3/8	3/4	32
EC1P24NAM	13 1/2	20 1/2	12	12 1/2	20	21	21 1/2	67	3/8	3/4	24
EC1P29NAM	13 1/2	25 1/2	12	12 1/2	20	21	21 1/2	71	3/8	3/4	40
EC1P30NAM	13 1/2	25 1/2	12	12 1/2	20	21	21 1/2	71	3/8	3/4	40
EC1P30NBM	17 1/4	25 1/2	15 3/4	16 1/4	20	21	21 1/2	71	3/8	3/4	40
EC1P36NAM	13 1/2	25 1/2	12	12 1/2	20	21	21 1/2	78	3/8	3/4	55
EC1P36NBM	17 1/4	25 1/2	15 3/4	16 1/4	20	21	21 1/2	78	3/8	3/4	55
EC1P36NCM	20 1/2	25 1/2	19	19 1/2	20	21	21 1/2	78	3/8	3/4	55
EC1P43NBM	17 1/4	27 1/2	15 3/4	16 1/4	20	21	21 1/2	82	3/8	7/8	59
EC1P48NBM	17 1/4	25 1/2	15 3/4	16 1/4	20	21	21 1/2	90	3/8	7/8	46
EC1P50NCM	20 1/2	27 1/2	19	19 1/2	20	21	21 1/2	90	3/8	7/8	75
EC1P49NCM	20 1/2	29 1/2	19	19 1/2	20 1/2	21 1/2	22	90	3/8	7/8	60
EC1P59DM	25 1/2	28 1/2	24	24 1/2	18	20 1/2	21	90	3/8	7/8	76
EC1P62NCM	20 1/2	31 1/2	19	19 1/2	20 1/2	21 1/2	22	101	3/8	7/8	85
EC1P60NDM	24 1/2	25 1/2	23	23 1/2	19 1/2	20 1/2	21	101	3/8	7/8	85
EC1P62NDM	24 1/2	29 1/2	23	23 1/2	19 1/2	20 1/2	21	101	3/8	7/8	85

## Dimensions - Multi-Position

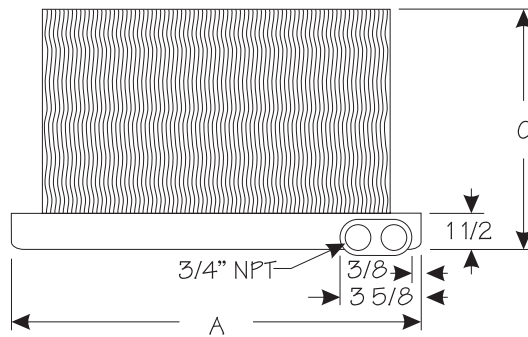
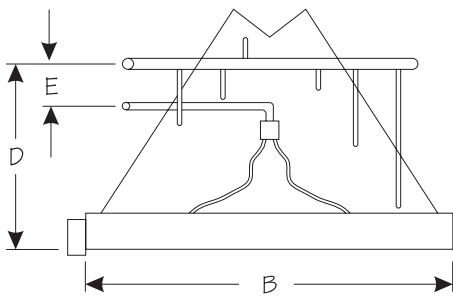


Model	A (in.)	B (in.)	C (in.)	D (in.)	E (in.)	F (in.)	G (in.)	Orifice	Refrigeration Connections		Weight (lbs.)
									Liquid (in.)	Vapor (in.)	
EM1P19NAM-1	13 1/2	25 1/2	12	12 1/2	20	21	21 1/2	.055	3/8	3/4	33
EM1P18NAM-1	13 1/2	25 1/2	12	12 1/2	20	21	21 1/2	.055	3/8	3/4	45
EM1P23NAM-1	13 1/2	25 1/2	12	12 1/2	20	21	21 1/2	.067	3/8	3/4	40
EM1P23NBM-1	17 1/2	25 1/2	16	16 1/2	20	21	21 1/2	.067	3/8	3/4	40
EM1P24NAM-1	13 1/2	25 1/2	12	12 1/2	20	21	21 1/2	.067	3/8	3/4	42
EM1P29NAM-1	13 1/2	25 1/2	12	12 1/2	20	21	21 1/2	.071	3/8	3/4	40
EM1P30NAM-1	13 1/2	25 1/2	12	12 1/2	20	21	21 1/2	.071	3/8	3/4	42
EM1P30NBM-1	17 1/2	25 1/2	16	16 1/2	20	21	21 1/2	.071	3/8	3/4	42
EM1P36NAM-1	13 1/2	25 1/2	12	12 1/2	20	21	21 1/2	.078	3/8	3/4	57
EM1P36NBM-1	17 1/2	25 1/2	16	16 1/2	20	21	21 1/2	.078	3/8	3/4	57
EM1P36NCM-1	20 1/2	25 1/2	19	19 1/2	20	21	21 1/2	.078	3/8	3/4	57
EM1P43NBM-1	17 1/2	27 1/2	16	16 1/2	20	21	21 1/2	.082	3/8	7/8	60
EM1P48NBM-1	17 1/2	25 1/2	16	16 1/2	20	21	21 1/2	.090	3/8	7/8	48
EM1P50NCM-1	20 1/2	27 1/2	19	19 1/2	20	21	21 1/2	.090	3/8	7/8	77

# Dimensions - Uncased

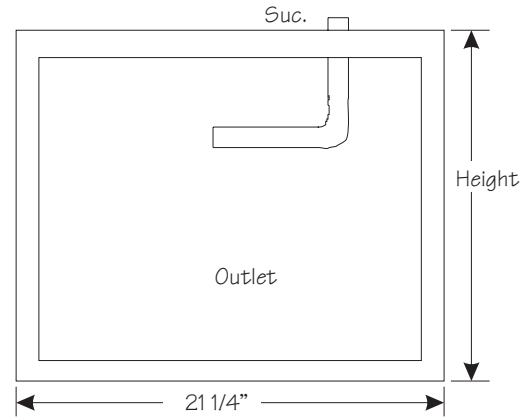
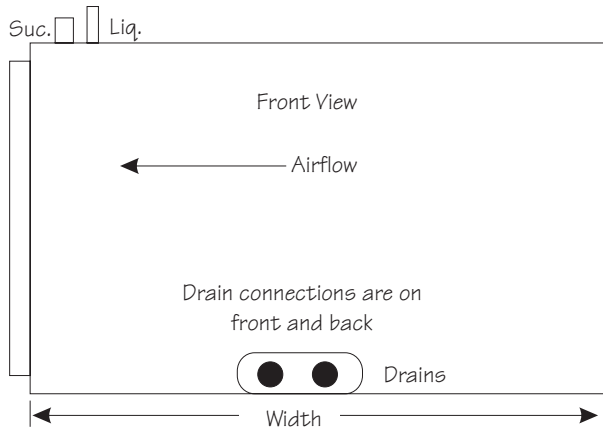


Model	A (in.)	B (in.)	C (in.)	D (in.)	E (in.)	Orifice	Refrigeration Connections		Weight (lbs.)
							Liquid (in.)	Vapor (in.)	
EU1P19NAN-1	13	19 1/2	15 1/8	9 1/2	4 1/2	.055	3/8	3/4	17
EU1P18NAN-1	13	19 1/2	15	9 1/2	4 1/2	.055	3/8	3/4	23
EU1P23NAN-1	13	19 1/2	17 1/5	12 1/2	4 1/2	.067	3/8	3/4	22
EU1P24NAN-1	13	19 1/2	19 1/5	14 1/2	6	.067	3/8	3/4	22
EU1P29NAN-1	13	19 1/2	21 1/4	17 1/3	6 1/2	.071	3/8	3/4	24
EU1P30NAN-1	13	19 1/2	23 1/4	17 1/3	6 1/2	.071	3/8	3/4	40 1/2
EU1P36NAN-1	13	19 1/2	23 3/8	17 1/3	6 1/2	.078	3/8	3/4	38
EU1P36NBN-1	17	19 1/2	23 1/8	17 1/3	6 1/2	.078	3/8	3/4	38
EU1P43NBN-1	17	19 1/2	27 1/4	23 1/3	5 1/2	.082	3/8	7/8	24
EU1P48NBN-1	17	19 1/2	23 1/8	9 1/2	4 1/2	.090	3/8	7/8	38
EU1P50NCN-1	20	19 1/2	26 3/4	23 1/3	5 1/2	.090	3/8	7/8	40
EU1P62NCN-1	19 1/2	21 1/2	30 5/8	18 1/8	4	.101	3/8	7/8	65



Model	A (in.)	B (in.)	C (in.)	D (in.)	E (in.)	Orifice	Refrigeration Connections		Weight (lbs.)
							Liquid (in.)	Vapor (in.)	
EU1P59DN	25 1/8	20	24 1/2	16 3/4	5	.090	3/8	7/8	49
EU1P62NDN	23	19 1/2	28 1/8	18 1/4	4 1/2	1/9	3/8	7/8	65

# Dimensions - Horizontal



Model	Height	Width	Supply		Return		Weight (lbs.)
			Height	Width	Height	Width	
EH1P23AM-1	14 1/2	26 1/2	13	19 3/4	13 1/2	20	38
EH1P23BM-1	17 1/2	26 1/2	16	19 3/4	16 1/2	20	50
EH1P29AM-1	14 1/2	31 1/2	13	19 3/4	13 1/2	20 1/4	56
EH1P29BM-1	17 1/2	26 1/2	16	19 3/4	16 1/2	20	45
EH1P36BM-1	17 1/2	26 1/2	16	19 3/4	16 1/2	20	56
EH1P36CM-1	21	26 1/2	19 1/2	19 3/4	20	20	64
EH1P43BM-1	17 1/2	31 1/2	16	19 3/4	16 1/2	20 1/4	52
EH1P43CM-1	21	26 1/2	19 1/2	19 3/4	20	20	56
EH1P49CM-1	21	31 1/2	19 1/2	19 3/4	20	20 1/4	58
EH1P49DM-1	24 1/2	31 1/2	23	19 3/4	23 1/2	20 1/4	66
EH1P62CM	21	31 1/2	19 1/2	19 3/4	20	20 1/4	63
EH1P62DM	24 1/2	31 1/2	23	19 3/4	23 1/2	20 1/4	63

All specifications and illustrations subject to change without notice and without incurring obligations..

www.ducanevac.com  
For more information, contact your local Ducane distributor.

