

2AC14 Features and Benefits

- Durable compressors with internal pressure relief valves and inherent thermal protection
- High-quality condenser coil with copper tubing and enhanced louvered fin for maximum heat transfer capacity
- Top discharge directs hot air and sound away from living area and shrubbery
- All units are factory run tested
- Available with louvered panel or wire guard coil protection option
- Easy access to electrical panels, pre-wired for easy hook-up
- Hinged control panel allows simple access to internal components
- 45-degree service valves for easy hook-up and service
- Liquid line filter drier installed in every unit
- All units ETL, ETLIC approved and ARI listed
- Charged for 15 feet of interconnecting tubing
- Select models meet 76dBA and include compressor sound blanket
- Warranties:
10 year limited parts warranty available (5 year compressor). See limited warranty document for details.



L & LC Models



B & BC Models

Model Number Guide

	2	AC	14	B	36	P	-	1	A		
Refrigerant – 2 = R22											Minor Revision Code
AC = Split Condensing Unit											Major Revision Code
14 - 14 SEER Nominal											Voltage P - 208-230v/60hz
B = Wire Guard L = Louvered BC = Wire Guard + 76dBA LC = Louvered + 76dBA											Nominal Capacity 36 - 36,000 Btuh

Electrical and Physical Data

Model	Voltage/ Hz/ Phase	Voltage Range	Min. Circuit Amp.	Maximum Over Current Device (amps)	Compressor		Fan Motor			Refrig. Charge (oz.)*	Weight (lbs.) Wire Guard/ Louvered
					Rated Load (Amps)	Locked Rotor (Amps)	Full Load Amps	Rated HP	Nom. RPM		
2AC14**18P	208-230/60/1	197 - 253	9.7	15	6.9	35	1.1	1/10	1075	106	185
2AC14**24P	208-230/60/1	197 - 253	11.6	20	8.4	39	1.1	1/10	1075	129	201
2AC14**30P	208-230/60/1	197 - 253	15.2	25	11.3	51	1.1	1/5	1075	154	227
2AC14**36P	208-230/60/1	197 - 253	17.2	30	12.9	61	1.1	1/5	1075	165	226
2AC14*42P	208-230/60/1	197 - 253	21.5	35	16.2	82	1.2	1/4	1075	204	262
2AC14*48P	208-230/60/1	197 - 253	22.6	35	17.1	100	1.2	1/4	1075	208	261
2AC14*60P	208-230/60/1	197 - 253	28.8	50	21.4	137	2.0	1/3	1075	264	270

** = B, L, BC, LC

* = B, L

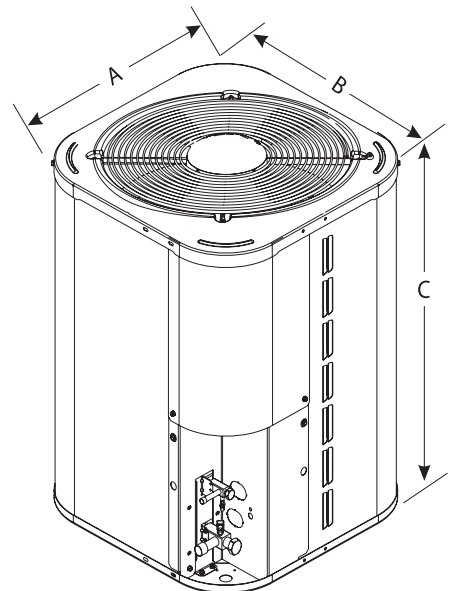
* Factory charged for 15 feet of line set. Adjust per Installation Instructions

Dimensions (in.) and Sound Ratings

Model	Dimensions			B, L Sound Rating (dBa)	BC, LC Sound Rating (dBa)
	A - width (in.)	B - depth (in.)	C - height (in.)		
2AC14**18P	30	30	25.5	80	76
2AC14**24P	30	30	25.5	80	76
2AC14**30P	30	30	33.5	79	76
2AC14**36P	30	30	33.5	80	76
2AC14*42P	30	30	41.5	76	---
2AC14*48P	30	30	41.5	78	---
2AC14*60P	30	30	41.5	80	---

** = B, L, BC, LC

* = B, L



Cooling Performance with Evaporator Coils

Outdoor Model	Indoor Model		SEER	EER	Rated ARI Capacity ¹	Rated Sensible Capacity	CFM	Refrigerant Connection				Refrigerant Line Size		Indoor Metering Device	
	Piston or Field Installed TXV	Factory Installed TXV						Outdoor		Indoor		Suction	Liquid	Req'd Indoor ² Orifice	Optional Field Installed Orifice
								Suction	Liquid	Suction	Liquid				
2AC14**18P	E(C,H,M,U)1P23N(A,B)+TXV	E(C,H,M,U)2T23N(A,B)	14.00	12.00	19,000	12,900	650	3/4	3/8	3/4	3/8	3/4	3/8	---	A2TXV01
	E(C,M,U)1P24N(A,B)+TXV	E(C,M,U)2T24NA	13.50	12.00	18,400	12,500	650	3/4	3/8	3/4	3/8	3/4	3/8	---	A2TXV01
2AC14**24P	E(C,H,M,U)1P23N(A,B)	E(C,H,M,U)2T23N(A,B)	14.00	12.50	23,600	17,600	850	3/4	3/8	3/4	3/8	3/4	3/8	---	A2TXV01
	E(C,H,M,U)1P29NA+TXV	E(C,H,M,U)2T29NA	14.00	12.50	23,800	17,600	850	3/4	3/8	3/4	3/8	3/4	3/8	---	A2TXV01
	E(C,M,U)1P24N(A,B)+TXV	E(C,M,U)2T24NA	13.50	12.00	22,600	16,700	845	3/4	3/8	3/4	3/8	3/4	3/8	---	A2TXV01
2AC14**30P	E(C,H,M,U)1P36N(A,B,C)+TXV	E(C,H,M,U)2T36N(A,B,C)	14.00	12.00	28,600	20,900	1050	3/4	3/8	3/4	3/8	3/4	3/8	---	A2TXV01
2AC14**36P	E(C,H,M,U)1P36N(A,B,C)+TXV	E(C,H,M,U)2T36N(A,B,C)	14.00	12.00	34,600	25,300	1250	3/4	3/8	3/4	3/8	3/4	3/8	---	A2TXV01
	E(C,H,M,U)1P43NB+TXV	E(C,H,M,U)2T43B	14.50	12.50	34,800	25,400	1250	3/4	3/8	7/8	3/8	3/4	3/8	---	A2TXV01
2AC14*42P	E(C,H,U)1P49NC+TXV	E(C,H,U)2T49NC	14.00	12.00	40,000	29,200	1450	7/8	3/8	7/8	3/8	7/8	3/8	---	A2TXV02
	E(C,H,U)1P62NC+TXV	E(C,H,U)2T62NC	14.00	11.50	40,000	29,200	1450	7/8	3/8	7/8	3/8	7/8	3/8	---	A2TXV02
	E(C,H,U)1P62ND+TXV	E(C,H,U)2T62ND	14.00	12.00	40,000	29,200	1450	7/8	3/8	7/8	3/8	7/8	3/8	---	A2TXV02
2AC14*48P	E(C,H,U)1P49NC+TXV	E(C,H,U)2T49NC	14.00	12.00	48,000	34,500	1650	7/8	3/8	7/8	3/8	7/8	3/8	---	A2TXV02
	E(C,M,U)1P62NC+TXV	E(C,H,U)2T62NC	14.00	12.00	48,000	34,500	1650	7/8	3/8	7/8	3/8	7/8	3/8	---	A2TXV02
	E(C,H,U)1P62ND+TXV	E(C,H,U)2T62ND	14.00	12.00	48,000	34,500	1650	7/8	3/8	7/8	3/8	7/8	3/8	---	A2TXV02
2AC14*60P	E(C,H,U)1P62NC+TXV	E(C,H,U)2T62NC	13.00	11.00	53,500	41,200	1950	7/8	3/8	7/8	3/8	1-1/8	3/8	---	A2TXV02
	E(C,H,U)1P62ND+TXV	E(C,H,U)2T62ND	13.00	11.00	53,000	40,800	1950	7/8	3/8	7/8	3/8	1-1/8	3/8	---	A2TXV02

** = B, L, BC, LC
* = B, L

¹ Certified in accordance with Unitary Air Conditioner Certification Program, which is based on ARI Standard 210/240.

² Required to achieve ARI rating.

A blower time delay is required to achieve ARI rating.

Cooling Performance with Air Handlers & Furnaces 18, 24, 30

Outdoor Model	Indoor Model		Variable Speed Furnace	SEER	EER	Rated ARI Capacity ¹	Rated Sensible Capacity	CFM	Refrigerant Connection				Refrigerant Line Size		Indoor Metering Device	
	Piston or Field Installed TXV	Factory Installed TXV							Outdoor		Indoor		Suction	Liquid	Req'd Indoor ² Orifice	Optional Field Installed Orifice
									Suction	Liquid	Suction	Liquid				
2AC14**18P	RBCS2M18C****P+TXV	RBCS2M18C****T	—	14.50	12.50	19,000	12,900	650	3/4	3/8	3/4	3/8	3/4	3/8	—	A2TXV01
	RBCS2M24V****P+TXV	—	—	15.00	13.50	19,000	12,900	650	3/4	3/8	3/4	3/8	3/4	3/8	—	A2TXV01
	E(C,H,M,U)1P23NA+TXV	E(C,H,M,U)2T23NA	CMPEV050,075	15.00	13.00	19,000	12,900	650	3/4	3/8	3/4	3/8	3/4	3/8	—	A2TXV01
	E(C,H,M,U)1P23NA+TXV	E(C,H,M,U)2T23NA	MPGAV050,075	15.00	13.00	19,000	12,900	650	3/4	3/8	3/4	3/8	3/4	3/8	—	A2TXV01
	E(C,M,U)1P24NA+TXV	E(C,M,U)2T24NA	CMPEV050,075	15.00	13.00	18,400	12,500	650	3/4	3/8	3/4	3/8	3/4	3/8	—	A2TXV01
	E(C,M,U)1P24NA+TXV	E(C,M,U)2T24NA	MPGAV050,075	15.00	13.00	18,400	12,500	650	3/4	3/8	3/4	3/8	3/4	3/8	—	A2TXV01
2AC14**24P	RBCS2M24C****P+TXV	RBCS2M24C****T	—	14.50	12.50	23,800	17,600	850	3/4	3/8	3/4	3/8	3/4	3/8	—	A2TXV01
	RBCS2M24V****P+TXV	—	—	15.00	13.50	24,000	17,600	850	3/4	3/8	3/4	3/8	3/4	3/8	—	A2TXV01
	E(C,H,M,U)1P23NA+TXV	E(C,H,M,U)2T23NA	CMPEV050,075	15.00	13.50	23,600	17,500	850	3/4	3/8	3/4	3/8	3/4	3/8	—	A2TXV01
	E(C,H,M,U)1P23NA+TXV	E(C,H,M,U)2T23NA	MPGAV050,075	15.00	13.50	23,600	17,500	850	3/4	3/8	3/4	3/8	3/4	3/8	—	A2TXV01
	E(C,H,M,U)1P29NA+TXV	E(C,M,U)2T29NA	CMPEV050,075	15.00	13.50	23,800	17,600	850	3/4	3/8	3/4	3/8	3/4	3/8	—	A2TXV01
	E(C,H,M,U)1P29NA+TXV	E(C,M,U)2T29NA	MPGAV050,075	15.00	13.50	23,800	17,600	850	3/4	3/8	3/4	3/8	3/4	3/8	—	A2TXV01
	E(C,M,U)1P24NA+TXV	E(C,M,U)2T24NA	CMPEV050,075	15.00	13.00	22,600	16,700	845	3/4	3/8	3/4	3/8	3/4	3/8	—	A2TXV01
	E(C,M,U)1P24NA+TXV	E(C,M,U)2T24NA	MPGAV050,075	15.00	13.00	22,600	16,700	845	3/4	3/8	3/4	3/8	3/4	3/8	—	A2TXV01
2AC14**30P	RBCS2M30C****P+TXV	RBCS2M30C****T	—	14.00	12.50	28,600	20,900	1050	3/4	3/8	3/4	3/8	3/4	3/8	—	A2TXV01
	RBCS2M36V****P+TXV	—	—	15.00	13.50	29,000	21,200	1050	3/4	3/8	3/4	3/8	3/4	3/8	—	A2TXV01
	E(C,H,M,U)1P36NB+TXV	E(C,H,M,U)2T36NB	CMPEV100	15.00	13.00	28,600	20,900	1050	3/4	3/8	3/4	3/8	3/4	3/8	—	A2TXV01
	E(C,H,M,U)1P36NB+TXV	E(C,H,M,U)2T36NB	MPGAV100	15.00	13.00	28,600	20,900	1050	3/4	3/8	3/4	3/8	3/4	3/8	—	A2TXV01
	E(C,M,U)1P36NA+TXV	E(C,M,U)2T36NA	CMPEV050,075	15.00	13.00	28,600	20,900	1050	3/4	3/8	3/4	3/8	3/4	3/8	—	A2TXV01
	E(C,M,U)1P36NA+TXV	E(C,M,U)2T36NA	MPGAV050,075	15.00	13.00	28,600	20,900	1050	3/4	3/8	3/4	3/8	3/4	3/8	—	A2TXV01

** = B, L, BC, LC
* = B, L

¹Certified in accordance with Unitary Air Conditioner Certification Program, which is based on ARI Standard 210/240.

²Required to achieve ARI rating.

A blower time delay is required to achieve ARI rating. This feature is standard on all Allied Air Enterprises furnace and air handler products.

Cooling Performance with Air Handlers & Furnaces 36, 42, 48, 60

Outdoor Model	Indoor Model		Variable Speed Furnace	SEER	EER	Rated ARI Capacity ¹	Rated Sensible Capacity	CFM	Refrigerant Connection				Refrigerant Line Size		Indoor Metering Device	
	Piston or Field Installed TXV	Factory Installed TXV							Outdoor		Indoor		Suction	Liquid	Req'd Indoor ² Orifice	Optional Field Installed Orifice
									Suction	Liquid	Suction	Liquid				
2AC14**36P	RBCS2M36C****P+TXV	RBCS2M36C****T	—	14.00	12.50	34,800	25,400	1250	3/4	3/8	3/4	3/8	3/4	3/8	—	A2TXV01
	RBCS2M36V****P+TXV	—	—	15.00	13.50	35,000	25,600	1250	3/4	3/8	3/4	3/8	3/4	3/8	—	A2TXV01
	E(C,H,M,U)1P36NB+TXV	E(C,H,M,U)2T36NB	CMPEV100	15.00	13.00	34,600	25,200	1250	3/4	3/8	3/4	3/8	3/4	3/8	—	A2TXV01
	E(C,H,M,U)1P36NB+TXV	E(C,H,M,U)2T36NB	MPGAV100	15.00	13.00	34,600	25,200	1250	3/4	3/8	3/4	3/8	3/4	3/8	—	A2TXV01
	E(C,H,M,U)1P43NB+TXV	E(C,H,M,U)2T43NB	CMPEV100	15.00	13.50	34,800	25,400	1250	3/4	3/8	3/4	3/8	3/4	3/8	—	A2TXV01
	E(C,H,M,U)1P43NB+TXV	E(C,H,M,U)2T43NB	MPGAV100	15.00	13.50	34,800	25,400	1250	3/4	3/8	3/4	3/8	3/4	3/8	—	A2TXV01
	E(C,M,U)1P36NA+TXV	E(C,M,U)2T36NA	CMPEV050,075	15.00	13.00	34,600	25,300	1250	3/4	3/8	3/4	3/8	3/4	3/8	—	A2TXV01
E(C,M,U)1P36NA+TXV	E(C,M,U)2T36NA	MPGAV050,075	15.00	13.00	34,600	25,300	1250	3/4	3/8	3/4	3/8	3/4	3/8	—	A2TXV01	
2AC14*42P	RBCS2M42C****P+TXV	RBCS2M42C****T	—	14.00	12.00	40,000	29,200	1450	7/8	3/8	7/8	3/8	7/8	3/8	—	A2TXV02
	RBCS2M42V****P+TXV	—	—	15.00	13.00	40,500	29,565	1450	7/8	3/8	7/8	3/8	7/8	3/8	—	A2TXV02
	E(C,H,U)1P49NC+TXV	E(C,H,U)2T49NC	CMPEV0125	15.00	13.00	40,000	29,200	1450	7/8	3/8	7/8	3/8	7/8	3/8	—	A2TXV02
	E(C,H,U)1P49NC+TXV	E(C,H,U)2T49NC	MPGAV0125	15.00	13.00	40,000	29,200	1450	7/8	3/8	7/8	3/8	7/8	3/8	—	A2TXV02
	E(C,H,U)1P62NC+TXV	E(C,H,U)2T62NC	CMPEV125	15.00	13.00	40,000	29,200	1450	7/8	3/8	7/8	3/8	7/8	3/8	—	A2TXV02
	E(C,H,U)1P62NC+TXV	E(C,H,U)2T62NC	MPGAV125	15.00	13.00	40,000	29,200	1450	7/8	3/8	7/8	3/8	7/8	3/8	—	A2TXV02
2AC14*48P	RBCS2M48C****P+TXV	RBCS2M48C****T	—	14.50	12.50	48,000	34,600	1650	7/8	3/8	7/8	3/8	7/8	3/8	—	A2TXV02
	RBCS2M48V****P+TXV	—	—	15.00	13.00	48,000	34,600	1650	7/8	3/8	7/8	3/8	7/8	3/8	—	A2TXV02
	E(C,H,U)1P49NC+TXV	E(C,H,U)2T49NC	CMPEV125	14.50	12.50	48,000	34,600	1650	7/8	3/8	7/8	3/8	7/8	3/8	—	A2TXV02
	E(C,H,U)1P49NC+TXV	E(C,H,U)2T49NC	MPGAV125	14.50	12.50	48,000	34,600	1650	7/8	3/8	7/8	3/8	7/8	3/8	—	A2TXV02
	E(C,H,U)1P62NC+TXV	E(C,H,U)2T62NC	CMPEV125	14.50	12.50	54,000	34,600	1650	7/8	3/8	7/8	3/8	7/8	3/8	—	A2TXV02
	E(C,H,U)1P62NC+TXV	E(C,H,U)2T62NC	MPGAV125	14.50	12.50	54,000	34,600	1650	7/8	3/8	7/8	3/8	7/8	3/8	—	A2TXV02
2AC14*60P	RBCS2M60V****P+TXV	—	—	14.00	12.00	54,000	41,600	1950	7/8	3/8	7/8	3/8	1-1/8	3/8	—	A2TXV02
	E(C,H,U)1P62NC+TXV	E(C,H,U)2T62NC	MPGAV125	13.50	11.50	54,000	41,600	1950	7/8	3/8	7/8	3/8	1-1/8	3/8	—	A2TXV02

** = B, L, BC, LC
* = B, L

¹Certified in accordance with Unitary Air Conditioner Certification Program, which is based on ARI Standard 210/240.

²Required to achieve ARI rating.

A blower time delay is required to achieve ARI rating. This feature is standard on all Allied Air Enterprises furnace and air handler products.

Cooling Performance with Extended Ratings

Outdoor Model	Indoor Model		Indoor Temp DB/WB °F	Outdoor Temp - DB°F														
				65			82			95			105			115		
	Piston or Field Installed TXV	Factory Installed TXV		Btuh	S/T	kW	Btuh	S/T	kW	Btuh	S/T	kW	Btuh	S/T	kW	Btuh	S/T	kW
2AC14**18P	E(C,H,M,U) 1P23(A,B)+TXV	E(C,H,M,U) 2T23(A,B) 1P23(A,B)+TXV	85/72	21,600	.65	1.38	20,700	.70	1.57	20,200	.72	1.65	19,200	.75	1.71	17,700	.75	1.77
			80/67	20,400	.67	1.33	19,500	.72	1.51	19,000	.74	1.58	18,000	.77	1.65	16,700	.77	1.70
			75/63	18,900	.72	1.28	18,000	.77	1.45	17,600	.79	1.52	16,700	.82	1.58	15,500	.83	1.64
2AC14**24P	E(C,H,M,U) 1P23(A,B)+TXV	E(C,H,M,U) 2T23N(A,B)	85/72	26,900	.70	1.66	25,700	.74	1.87	25,000	.77	1.96	23,800	.80	2.03	22,000	.80	2.09
			80/67	25,400	.72	1.61	24,200	.77	1.81	23,600	.79	1.89	22,400	.82	1.96	20,800	.83	2.02
			75/63	23,500	.77	1.56	22,400	.82	1.74	21,900	.84	1.82	20,800	.88	1.89	19,300	.88	1.95
2AC14**30P	E(C,H,M,U) 1P36(A,B,C)+TXV	E(C,H,M,U) 2T36N(A,B,C)	85/72	32,600	.65	2.10	31,100	.69	2.36	30,400	.71	2.47	28,800	.74	2.56	26,700	.74	2.65
			80/67	30,700	.67	2.03	29,300	.71	2.28	28,800	.73	2.38	27,200	.76	2.47	25,200	.76	2.55
			75/63	28,500	.71	1.96	27,200	.76	2.20	26,500	.78	2.30	25,200	.81	2.38	23,300	.82	2.46
2AC14**36P	E(C,H,M,U) 1P36(A,B,C)+TXV	E(C,H,M,U) 2T36N(A,B,C)	85/72	39,500	.64	2.53	37,600	.68	2.86	36,700	.71	2.99	34,900	.73	3.10	32,300	.74	3.20
			80/67	37,200	.66	2.45	35,500	.70	2.76	34,600	.73	2.88	32,800	.75	2.99	30,500	.76	3.08
			75/63	34,500	.71	2.37	32,900	.75	2.86	32,100	.76	2.78	30,500	.81	2.89	28,200	.81	2.97
2AC14*42P	E(C,H,U) 1P49NC+TXV	E(C,H,U) 2T49NC	85/72	45,600	.64	3.92	43,500	.68	3.30	42,500	.70	3.46	40,300	.73	3.59	37,400	.74	3.70
			80/67	43,000	.66	3.83	41,000	.70	3.18	40,000	.73	3.33	38,000	.75	3.46	35,200	.76	3.57
			75/63	39,800	.71	3.73	38,000	.75	3.07	37,100	.78	3.22	35,000	.81	3.34	32,600	.81	3.44
2AC14*48P	E(C,H,U) 1P349NC+TXV	E(C,H,U) 2T49NC	85/72	54,700	.68	3.41	52,200	.72	3.95	51,000	.75	4.18	48,400	.78	4.37	44,800	.78	3.54
			80/67	51,600	.70	3.27	49,200	.75	3.79	48,000	.77	4.00	45,600	.80	4.18	42,200	.81	4.34
			75/63	47,800	.75	3.13	45,600	.80	3.62	44,500	.82	3.83	42,300	.85	4.00	39,100	.86	4.15
2AC14*60P	E(C,H,U) 1P62NC+TXV	E(C,H,U) 2T62NC	85/72	61,100	.68	4.27	58,200	.73	4.82	56,800	.75	5.04	54,000	.78	5.24	50,000	.78	5.40
			80/67	57,500	.86	4.02	54,800	.75	4.65	53,500	.77	4.86	50,800	.80	5.05	47,100	.81	5.20
			75/63	51,800	.84	3.92	50,800	.80	4.49	49,600	.82	4.69	45,700	.84	4.77	43,600	.86	5.02

** = B, L, BC, LC
* = B, L

Accessories

Description	Used with	Catalog #
Hard Start	2AC14**18, 24, 30, *42	12W19 (Factory Installed)
Hard Start	2AC14**36, *48, *60	12W20
Low Pressure Switch	All models	14W08
High Pressure Switch	All models	14W09
Low Ambient	All models	14W11
Crankcase Heater	2AC14**18, 24, 30, *42	14W04
Crankcase Heater	2AC14**36, *48, *60	14W05
Short Cycle Protection	All models	14W07
Liquid Line Solenoid	All models	20443001
Compressor Sound Blanket	2AC14**18, 24, 30, *42	14W00
Compressor Sound Blanket	2AC14**36, *48, *60	14W03
TXV Kit	2AC14**18, 24, 30, 36	A2TXV01
TXV Kit	2AC14*42, 48, 60	A2TXV02

Duane®

AIR CONDITIONING AND HEATING

www.ducanevac.com
1-800-448-5872



All specifications and illustrations subject to change without notice and without incurring obligations.