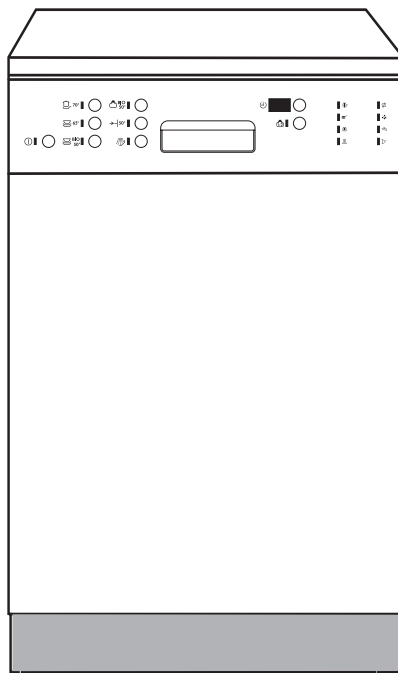


AEG

ÖKO_FAVORIT 64800

Dishwasher
Lavavajillas



Operating instructions
Instrucciones de uso

Dear customer!

Please read these user instructions carefully.

Above all please observe the safety instructions on the first few pages of these user instructions! Please keep these user instructions for later reference. Pass them on to any subsequent owner of the appliance.



The warning triangle and/or specific words (Warning!, caution!, Important!) are used to highlight instructions that are important for your safety or for the function of the appliance. It is imperative that these instructions are observed.



This symbol or numbered instruction steps lead you step by step through the operation of the appliance.



Next to this symbol you receive additional information and practical tips on using the appliance.



Tips and instructions for the economical and environmentally conscious use of the appliance are marked with a clover leaf.

In the event of a malfunction, these operating instructions contain information on how to rectify faults yourself, see "What to do, if..." section.

If these instructions are insufficient, please contact your nearest customer service centre.

In the case of technical problems, our customer service organisation is available to provide you with assistance at any time (you will find addresses and telephone numbers in the "Customer Service Centres" section).

Printed on paper manufactured with environmentally sound processes.
He who thinks ecologically acts accordingly...

Contents

Safety instructions	4
Disposing of packaging and old machine	6
Disposing of the packaging	6
Disposing of your old machine	6
Economical and ecological dishwashing	7
Description of the appliance	8
The inside of the appliance	8
Control panel	8
Before using your dishwasher for the first time	12
Setting the water hardness range	12
Filling with special salt	14
The rinse aid	15
Loading cutlery and dishes	17
The lower basket	18
Cutlery basket	19
The upper basket	20
Adjustment the height of the upper basket	21
Use of detergent	22
Bio programmes and compact powders	23
Washing programmes	24
Operating instructions	26
Maintenance and cleaning	31
Internal and external cleaning	31
Cleaning the filters	31
What do do, when...	33
Customer service	35
Hints for test centres	36
Technical data	37
Installation and connection instructions	38
Adjusting the worktop	38
Fitting under a counter	38
Levelling	38
Connecting the water supply	39
Water outlet connection	40
Water protection system	42
Electrical connection	42



Safety instructions

The safety of AEG electrical appliances conforms to accepted rules of technology and the Appliance Safety Act. We as manufacturers, however, see ourselves as being obliged to familiarise you with the following safety instructions.

Using your dishwasher for its intended purpose

- Only use your dishwasher for machine washing of household crockery. If your machine is misused or used for any purposes other than that for which it is intended, the manufacturer cannot be held liable for any damage caused.
- For safety reasons, you should not convert or modify your dishwasher in any way.

Before using your dishwasher for the first time

- Check your dishwasher for any transport damage. Never connect a damaged machine. If your dishwasher is damaged, you should contact your supplier.
- Your dishwasher must be correctly installed and connected. Please read the section on "Installation" to make sure you know all about this.
- Before using your dishwasher for the first time, do not forget that the nominal voltage and current type indicated on the rating plate of your machine must be the same as the nominal voltage and current type at the installation site. The necessary electrical fusing is also given on the rating plate.

Child safety

- Packaging parts (e.g. foils, styrene foam) may be dangerous for children, who could even be suffocated! You should therefore keep all packaging well away from children.
- Children may not recognise the dangers of improper use of electrical appliances. You should therefore ensure proper supervision during operation and not allow your children to play with your dishwasher.
- Detergents may have a caustic effect on eyes, mouth and throat and may even cause suffocation! Keep all detergents in a safe place out of children's reach.

- The water in your dishwasher should not be used for drinking. Detergent residues may still be present in your machine. Make sure you do not splash these caustic residues onto your skin or suffocate yourself! Keep children well away from your dishwasher when its door is open.

Your dishwasher in day-to-day use

- Never operate your dishwasher if the electrical supply lead, supply or drainhose, control panel, worktop or plinth are damaged.
- If there is a fault, first turn the water tap off. Then switch off your machine and pull the plug out of the socket. If there is a fixed connection, switch off or unscrew the fuse(s).
- Never pull the plug out of the socket by the cable - always hold the plug.
- Dishwasher repairs should only be performed by trained personnel. Improper repairs may seriously endanger the user. If your dishwasher needs to be repaired, you should contact our service centre or your retailer.
- Never place any solvents in your dishwasher or you may cause an explosion!
- Do not rest or sit on the open door or the machine could tilt.
- Before using special dishwasher salt, detergent or rinse-aid, make sure that the manufacturer of these products expressly specifies their use in domestic dishwashers.
- Always turn off the water tap when your dishwasher is left unattended for any length of time, e.g. when you are away on holiday.
- Only transport the dishwasher in an upright position. Tipping it upside down during transport could cause salty water to leak into the internal compartment and lead to the formation of rust.

Disposing of packaging and old machine

Disposing of the packaging

Our dishwashers require effective protective packaging in transit, though we always confine ourselves to what is absolutely necessary.



Warning! Packaging parts (e.g. foils, styrene foam) may be dangerous for children, who could even be suffocated! You should therefore keep all packaging well away from children.

All packaging materials used are environmentally compatible and reusable.

The cardboard parts are produced from recycled paper, and the wood is untreated.

The plastics are marked as follows:

>PE< for polyethylene, e.g. packaging foils.

>PS< for polystyrene, e.g. padding (essentially CFC-Free).

>POM< for polyoxymethylene, e.g. plastic clamps.

Give the packaging for reuse to your local recycling centre. Your municipal or local authority will give you its address.

Disposing of your old machine

When your machine finally reaches the end of its life and you withdraw it from service, you should render it unserviceable before having it disposed of.



Warning! Children at play could lock themselves in your machine (and suffocate) or otherwise endanger their lives. Therefore pull out the main plug and detach and discard the electrical supply lead. Disable the door lock so that the door no longer closes.

Marking of plastic parts for graded recycling: all plastic parts in your machine are marked with internationally standardised abbreviations (e.g. <PS> for polystyrene). When your machine is disposed of, this enables plastic waste to be sorted into individual types for environmentally conscious recycling.

Take your decommissioned machine to your local recycling centre or dealer, who will take it back from you for a small handling charge.



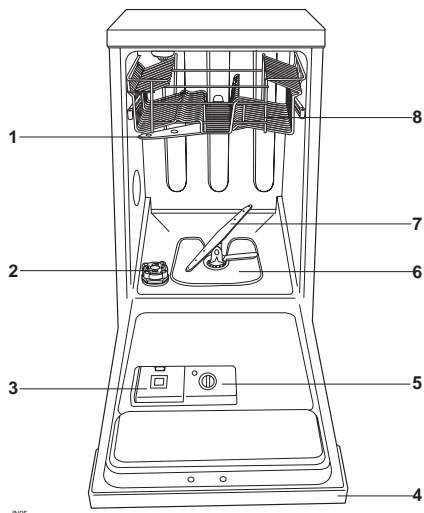
Economical and ecological dishwashing

- Only connect the dishwasher to the hot water supply if your hot water is not electrically heated.
- Ensure that the water softener is correctly adjusted.
- Do not pre-rinse under running water.
- Select the wash programme to suit the nature and degree of the soiling on the dishes.
- Do not use more detergent, special salt or rinse aid than is recommended in these operating instructions and by the manufacturer of the respective product.

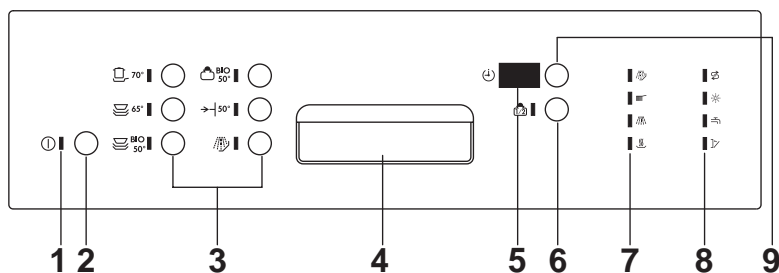
Description of the appliance

The inside of the appliance

1. Upper spray arm
2. Salt container
3. Detergent dispenser
4. Control panel
5. Rinse aid dispenser
6. Filters
7. Lower spray arm
8. Upper basket



Control panel



1. On/Off indicator light
2. On/off pushbutton
3. Programme selection pushbuttons

4. Door handle

5. Digital display

6. "Small load" pushbutton

This is very useful and economical when only a few dishes need washing.

Remember to load the crockery into both baskets. The indicator light corresponding to this option will come on when selected.

7. Programme phase indicator lights

As soon as you select a washing programme, this illuminates all the phases the programme consists of.

As the programme progresses, the phase under way will illuminate. At the end of the programme the phase indicator lights turn off.

Each phase is indicated with a symbol



Prewash/Rinse and Hold



Wash



Rinse



Drying

8. Indicator lights



Salt

Illuminates when the salt has run out, to remind you to refill the salt container.



Rinse aid

Illuminates when the rinse aid has run out, to remind you to refill the rinse aid dispenser.



Water tap

Flashes when:

- The water tap is closed.
- The mains supply has been cut off.
- The inlet hose may be blocked.



Open door

Flashes when the door has not been properly closed.

9. "Delay start" pushbutton

Allows the start of the programme to be delayed by a minimum of 1 hour, up to 12 hours.

Audible signals have been introduced to help indicate which operations the dishwasher is performing.

"Instruction accepted" audible signal

When any of the pushbuttons are pressed, an audible signal informs you that the machine has accepted the instruction given.

"Programme run" audible signal

An audible signal informs you that the washing programme is starting.

"End of programme" audible signal

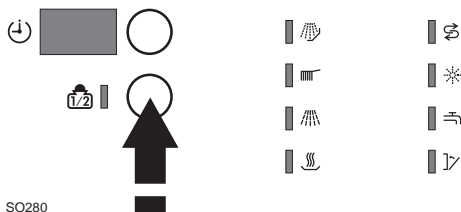
An intermittent audible signal informs you that the wash programme has ended.

"Alarm" audible signal

The machine is fitted with a number of alarm systems to help you determine the cause of any problems (see "What to do, if...").

An audible signal informs you that an alarm is activated.

To deactivate these audible signals, press the "small load" pushbutton for about 3 seconds, at the end of which an audible signal informs you that the audible signals have been deactivated.



To reactivate these audible signals, press the "small load" pushbutton for about 3 seconds, at the end of which an audible signal informs you that the audible signals have been reactivated.

Both operations (to deactivate or reactivate the audible signals) must be carried out before starting a washing programme; the setting will remain memorised after switching off the dishwasher.

Before using your dishwasher for the first time

1. Ensure that the electrical and water connections comply with the installation instructions.
2. Remove all packaging from inside the appliance.
3. Set the water softener.
4. Pour 0,5 l of water inside the salt container and then fill with salt.
5. Fill the rinse-aid dispenser.

Setting the water hardness range

The dishwasher is equipped with a water softener designed to remove minerals and salts from the water supply, which would have a detrimental or adverse effect on the operation of the appliance.

The higher the content of these salts, the harder your water is.

Water hardness is measured in equivalent scales, German, French degrees and PPM (parts per Million).

The softener should be adjusted according to the hardness of the water in your area. Your local Water Authority can advise you on the hardness of the water in your area.

The dishwasher is factory set at level 4.

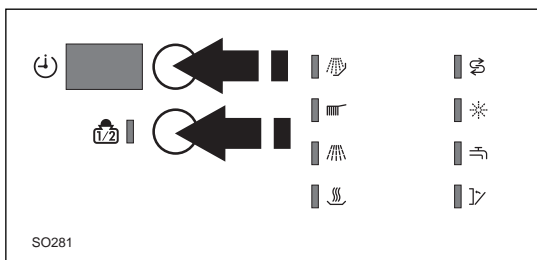
If this level is not suitable for your area the softener should be adjusted.

Level	Water hardness			Use of salt
	°dH (german degrees)	°TH (french degrees)	PPM (parts per million)	
0	0 - 4	0 - 8	0 - 80	NO
1	5 - 8	9 - 14	81 - 140	YES
2	9 - 11	15 - 20	141 - 200	YES
3	12 - 17	21 - 30	201 - 300	YES
4	18 - 22	31 - 40	301 - 400	YES
5	23 - 28	41 - 50	401 - 500	YES
6	29 - 33	51 - 60	501 - 600	YES
7	34 - 39	61 - 70	601 - 700	YES
8	40 - 45	71 - 80	701 - 800	YES
9	46 - 50	81 - 90	801 - 900	YES

If your water hardness is level 0 it is already soft and therefore there is no need to use salt. With the setting of the water softener at level 0 the salt indicator light on the control panel will always remain off.

To set a different level, proceed as follows:

1. Press the On/Off pushbutton.
2. Press the "small load" and "delay start" pushbuttons simultaneously for about 5 seconds, in the display will appear **L4** which corresponds to the current level.
2. Press the "delay start" pushbutton as many times as necessary until the required level appears in the display. The level increases by 1 each time the pushbutton is pressed. 5 seconds after this pushbutton has last been pressed the dishwasher memorises the level selected and returns to the programme setting mode.



Filling with special salt

Caution! The packaging of dishwasher salt and detergents are often very similar. The accidental filling of the salt compartment with detergent would ruin the water softener. Each time you add salt, make sure the carton you have in your hand really is salt.



Only use salt specifically designed for use in dishwashers. All other types of salt not specifically designed for use in a dishwasher, especially table salt, will damage the water softener. Only fill with salt just before starting one of the complete washing programmes (not the "Rinse and hold" programme). This will prevent any grains of salt or salty water, which may have been spilled, remaining on the bottom of the machine for any period of time, which may cause corrosion.

To fill:

1. To fill with salt, unscrew the cap of the salt container.
2. **Pour 0,5 l of water inside the container (this is necessary only before filling with salt for the first time).**
3. Using the funnel provided, pour in the salt until the container is full. Do not worry if water overflows from the unit when filling with salt, this is quite normal.
4. Replace the cap making sure that there is no trace of salt on the screw thread or on the gasket.
5. Screw on the cap tightly.



When this has been done, all that is required is to periodically top up the container with salt.

You are reminded of this by the salt indicator light on the control panel which will illuminate when the salt has finished.

Important: The salt refill indicator light on the control panel can remain illuminated for 2-6 hours after the salt has been replenished, assuring the dishwasher remains on. If you are using salts that take longer to dissolve then this can take longer. The function of the dishwasher is not affected.

The rinse-aid

The rinse-aid ensures brilliant crockery and also helps it to dry. It is automatically dosed in during the hot rinsing cycle. The storage compartment built in to the inside of the door can hold about 110 ml of rinse-aid, which will be sufficient for between 16 and 40 dishwashing programmes, according to the dosage setting.

Filling up the rinse-aid

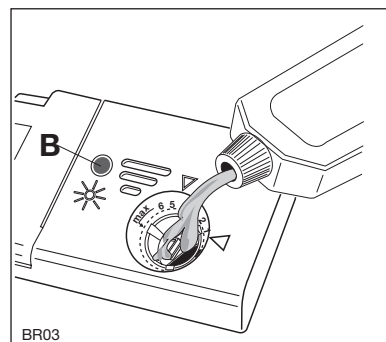
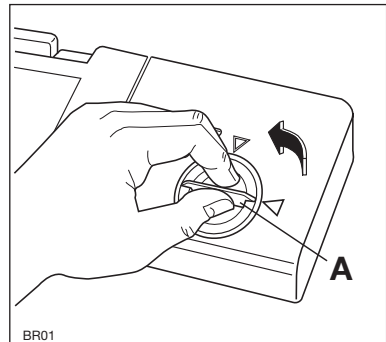
1. Open the container by turning the lid (A) anticlockwise.
2. Add the rinse aid until the container is completely full. The indicator (B) will be completely dark.

Ensure that the lid is closed after every refill.

Top up with rinse aid when the rinse aid indicator light on the control panel illuminates.

Clean up any rinse aid spilt during filling with an absorbent cloth to avoid excess foaming during the next wash.

Attention! Do not put liquid detergent in the rinse aid department.



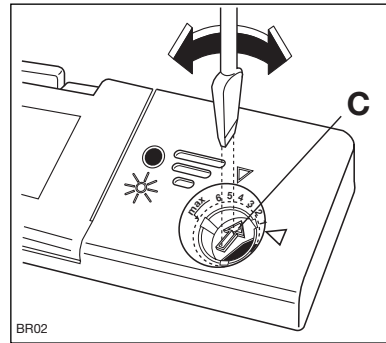
Adjusting the dose

The correct dosage of the rinse-aid should be regulated on the basis of the shine and drying results.

For this purpose, set the quantity of liquid by means of the six-position selector (C) located on the inside of the filler opening (minimum quantity is position 1, maximum quantity is position 6).

Use the tip of a knife or a screwdriver to rotate the selector. If drops of water or white marks remain on the crockery after it has been washed, gradually increase the dosage. If the crockery comes out with whitish, sticky streaks, reduce the dosage.

Start from position 3.



Loading cutlery and dishes



Sponges, household cloths and any object that can absorb water may not be washed in the dishwasher.

For washing in the dishwasher the following cutlery/dishes

are not suitable:

- Cutlery with wooden, horn, china or mother of pearl handles.
- Plastic items that are not heat resistant.
- Older cutlery with cement that is not temperature resistant.
- Bonded cutlery items or dishes.
- Pewter or copper items.
- Lead crystal glass.
- Steel items subject to rusting.
- Wooden platters.
- Items made from synthetic fibres.

are of limited suitability:

- Only wash stoneware in the dishwasher if it is specifically marked as being dishwasher-safe by the manufacturer.
- Glazed patterns may fade if machine washed frequently.
- Silver and aluminium parts have a tendency to discolour during washing. Left-overs, e.g. egg white, egg yolk and mustard often cause discolouring and staining on silver. Therefore always clean left-overs from silver immediately, if it is not to be washed straight after use.
- Some types of glass can become dull after a large number of washes.

Attention!

When buying new dishes, ensure that they are dishwasher proof.

Before placing dishes in the machine, remove any scraps of food, to avoid clogging the filters and consequently reducing the performance.



Do not load very small items which can fall through the baskets.

Open the door and slide out the baskets.

The lower basket

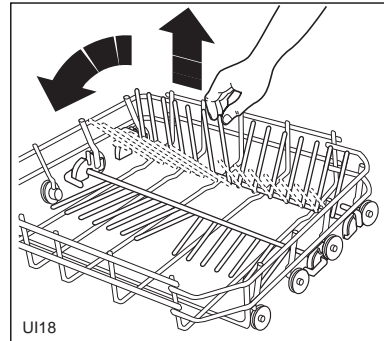
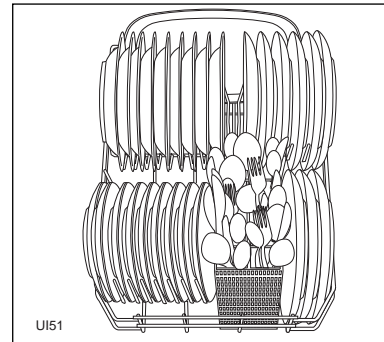
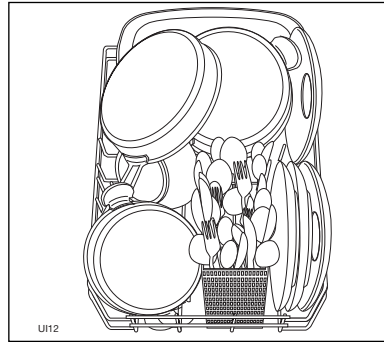
The lower basket is designed to take saucepans, lids, plates, salad bowls, cutlery etc.

Serving dishes and large lids should be arranged around the edge of the basket, ensuring that the upper spray arm can turn freely.

The two rear rows of prongs on the lower basket can be easily lowered to allow you to load pots, pans and bowls.

To lower the prongs:

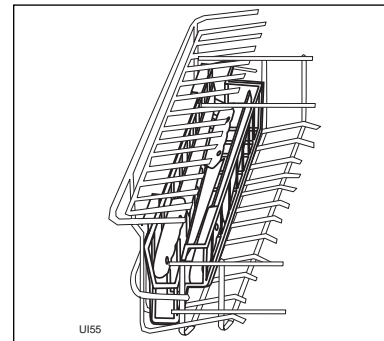
1. Slightly pull them upward and let them drop down (see picture).
2. To bring them back to the standing position, just pull them up again.



Warning! Long bladed knives stored in an upright position are a potential hazard. These items should only be placed in the removable knife basket. Take care when loading or unloading sharp items such as knives.

Removable knife basket

Long and/or sharp items of cutlery such as carving knives must be placed horizontally in the removable knife basket, which is positioned at the left of the upper basket.



Cutlery basket

Place knives, forks and spoons in the cutlery basket with their handles pointing downwards.

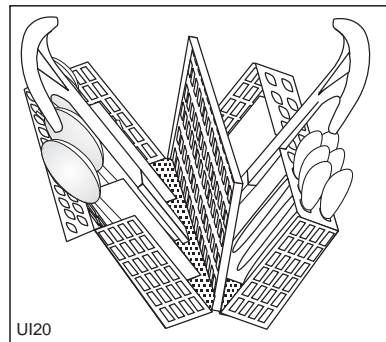
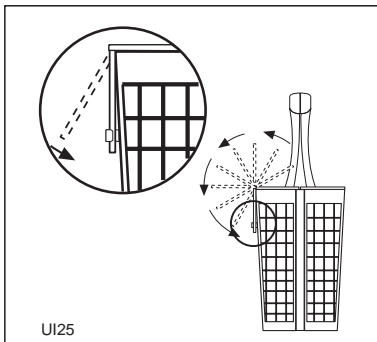
Arrange cutlery loosely and distribute it in all compartments so that each individual article has good contact with washing water. Also do not arrange spoons and forks with their dirty side in contact with each other.

Important! Exceptionally long cutlery, such as soup ladles, kitchen knives, or the like, may obstruct the upper spray arm. Such cutlery can be placed in the upper basket.

To unload your dishwasher more easily, you can take the cutlery basket out of the lower basket and unfold it. This makes it easier to remove small pieces of cutlery.

Important note! To prevent the full cutlery basket from inadvertently unfolding when being taken out, place your hand right round the two-piece handle and hold it firmly.

1. Place the cutlery basket on a firm support (table, worktop) and unfold both handle parts.
2. After unfolding, fold back both handle parts.



The upper basket

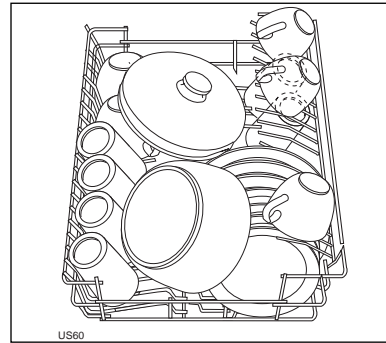
The upper basket is designed for plates (dessert plates, saucers, dinner plates up to 24 cm in diameter), salad bowls, cups and glasses; these should be arranged as shown in the pictures.

Glasses with long stems can be placed upside-down in the raised cup-racks

The cup-rack on the left folds upwards to increase your loading flexibility.

Arrange items on and underneath the fold-down cup racks so that water can reach all surfaces.

Light items (plastic bowls etc.) should be loaded in the upper basket and arranged so they do not move.



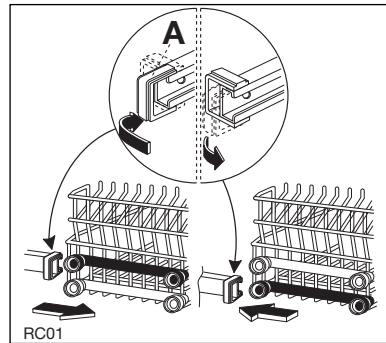
Before closing the door, ensure that the spray arms can rotate freely.

Adjusting the height of the upper basket

If washing very large plates (over 27 cm and up to 31 cm in diameter) you can load them in the lower basket after moving the upper basket to the higher position.

To move to the higher position proceed as follows:

1. Move the front runner stops (A) of the upper basket outwards and slide the basket out.
2. Refit the basket in the higher position and replace the stops (A) in their original position.



Attention!

When the top basket is in the higher position it will only take plates up to 20 cm in diameter and you will not be able to use the raised cup racks.



After loading your machine always close the door, as an open door can be a hazard.

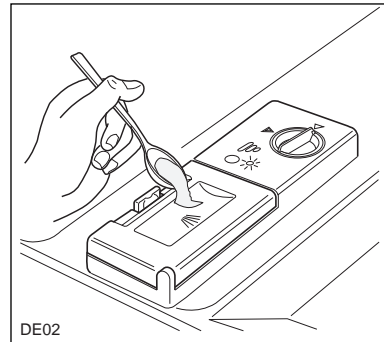
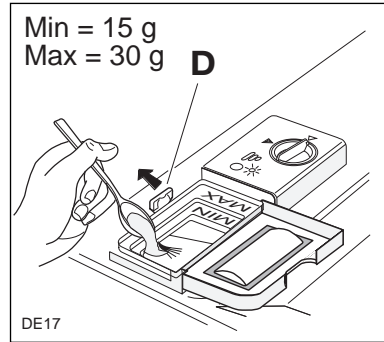
Use of detergent

Attention!

Only use detergents specifically designed for use in dishwashers.

If using powder detergents proceed as follows:

1. Open the dispenser lid by pulling the catch (D).
2. Add the detergent. As all detergents are not the same, please pay attention to the dosage instructions from the manufacturer of your brand.
3. Always close the lid.
4. If the programme has a prewash add the required detergent over the lid of the dispenser.



If using detergent in tablets proceed as follows:

1. For all programmes; place 1 tablet inside the detergent dispenser.
2. Always close the lid.
3. For all programmes with prewash; place a portion of a further tablet on the lid of the detergent dispenser.

At the end of any washing programme the lid is always open, ready for the next wash.

Since not all detergents are the same, you should also consult the instructions on the packet.



Remember that insufficient quantities of detergent will produce poor washing results whereas an excessive amount of detergent does not improve washing results and is also wasteful.

Using no more than correct amount of detergent also contributes to reducing pollution.

BIO programmes and compact powders

On the basis of their chemical composition, dishwasher detergents can be classified into two groups:







- conventional, alkaline detergents with caustic components:
- low-alkaline compact powders with natural enzymes.

The enzymes in low-alkaline compact powders have a dirt-dissolving effect and are also biodegradable. These enzymes deploy their full dirt-dissolving power within a temperature range of 40-50°C. In BIO washing programmes, the temperature range and duration of the heating phases are precisely matched to the dirt-dissolving properties of the enzymes.

In combination with low-alkaline compact powders, BIO washing programmes, at a temperature as low as 50°C, therefore achieve the same cleaning results that would otherwise be achievable only with 65°C programmes.

The lack of any caustic components in low-alkaline compact powders and the lower cleaning temperature of BIO washing programmes not only relieve the environment, but also care for your crockery.

Washing programmes

Programmes	Type of soil Type of load	Required pushbuttons
Intensive 70°C	Heavy soil. Crockery, cutlery, pots and pans	On Off  70°
Normal 65°C	Normal soil. Crockery and cutlery	On Off  65°
Normal BIO 50°C	Normal soil with little residual. Crockery and cutlery	On Off  BIO 50°
Economy BIO 50°C	Normal soil. Crockery and cutlery	On Off  BIO 50°
* Quick 50°C	Light soil. Crockery and party crockery	On Off  50°
Rinse and Hold	Partial load to be completed later in the day. This programme does not require detergent.	On Off 

* This is a quick wash programme a full load of lightly soiled dishes, glasses and crockery (except pots) so that you may re-use them promptly. Due to the shortness of this programme, no drying phase is provided.

Cycle description	Approximate values **		
	Programme duration in minutes	Energy consumption in kWh	Water consumption in litres
Hot prewash Main wash up to 70°C 2 cold rinses 1 hot rinse Turbo drying	105 ÷ 115	1,4	18
Warm prewash Main wash up to 65°C 1 cold rinse 1 hot rinse Turbo drying	90 ÷ 100	1,2	15
Cold prewash Main wash up to 50°C 1 cold rinse 1 hot rinse Turbo drying	90 ÷ 100	1,1	15
Cold prewash Main wash up to 50°C 1 cold rinse 1 hot rinse Turbo drying	135 ÷ 145	0,8	13
Main wash up to 50°C 1 cold rinse 1 hot rinse	35 ÷ 45	0,7	11
1 cold rinse (to avoid food scraps from sticking to the dishes).	10	0,1	8

** The times and consumption values are intended as a guide, and depend on the pressure and temperature of the water and also by the variations of the power supply.

Operating instructions

1. Check the filters

Ensure they are clean and properly positioned (see "Maintenance and cleaning").

2. Press the On/Off pushbutton

The On/Off indicator light will illuminate and in three horizontal lines (- - -) will appear in the display.

3. Check that there is rinse aid and salt

The corresponding indicator lights will illuminate if refilling is necessary.

4. Load the dishes

Remove any scraps of food.

Pull the lower basket out and arrange the saucepans, plates and cutlery in it.

Pull the upper basket out and arrange the plates, saucers, glasses and cups etc. in it.

Slide the baskets back into the machine.

5. Ensure that the spray arms can rotate freely.

6. Add the detergent

As all detergents are not the same, you should also consult the instructions on the packet.

Close the detergent dispenser lid.

7. Open the water tap



The setting of the programme may occur:

With open door, in this case the selected programme and eventual options (small load and/or delay start) will start automatically 5 seconds after the closure of the door.

With closed door, in this case the selected programme and eventual options (small load and/or delay start) will start automatically 5 seconds after the last pressure of a pushbutton.

8a. Set and start the programme without "delay start"

- Select the wash programme by simply pressing one of the programme pushbuttons, the display will show the running time of the programme in minutes and the indicator lights of the phases corresponding to the programme will illuminate.
- If necessary select the "small load" by pressing the corresponding pushbutton (in this case the running time of the programme will be adequated).
With the selection of the programmes "Quick 50°C" and "Rinse and Hold" the small load option is not available.
- **If the setting of the programme has been made with the door opened:**
close the door and the programme will start automatically after 5 seconds. Until the door remains open you still have the possibility to modify the setting made.
- **If the setting of the programme has been made with the door closed:**
the programme will start automatically after 5 seconds from the last pressure of a pushbutton.
- The starting of the programme will be confirmed by an audible signal, the indicator lights of the phases turn off except for the light of the phase under way. The displayed time will start to decrease from minute to minute.

8b. Set and start the programme with "delay start"

- Select the wash programme by simply pressing one of the programme pushbuttons, the display will show the running time of the programme in minutes and the indicator lights of the phases corresponding to the programme will illuminate.
- If necessary select the "small load" by pressing the corresponding pushbutton (in this case the running time of the programme will be adequate).

With the selection of the programmes "Quick 50°C" and "Rinse and Hold" the small load option is not available.

- Press the "delay start" pushbutton, in the display appears **h1**. Select the time by pressing repeatedly the "delay start" pushbutton until the required number of hours appear in the display. You can delay the start of a programme up to a maximum of 12 hours (**h12**).
To cancel the setting of the delay start press the pushbutton until the running time of the selected programme reappears in the display.
- **If the setting of the programme has been made with the door opened:**
close the door and the dishwasher starts the countdown automatically after 5 seconds. The number of hours to go before the programme starts appears in the display and decreases from hour to hour. The letter **h** flashing in the display indicates that the delay start is active.
- **If the setting of the programme has been made with the door closed:**
the dishwasher will start the countdown automatically after 5 seconds from the last pressure of a pushbutton.
- Once the delay set has elapsed the programme will start automatically, the indicator lights of the phases turn off except for the light of the phase under way. The displayed time will start to decrease from minute to minute.

9. At the end of the washing programme

- The dishwasher will automatically stop and an audible signal informs you that the programme has ended. In the display appears **000** and the indicator lights of the programme and phases turn off.

Press the On/Off pushbutton to switch the dishwasher off and open the door.

- Wait a few minutes before removing the dishes, in this way they will be cooler and the drying will be improved.

Empty the lower basket first and then the upper one, this will avoid water dripping from the upper basket onto the dishes in the lower one.

- When the wash programme has finished, it is recommended that the dishwasher is unplugged and the water tap turned off.

10. To cancel a programme

- This is possible either with an open or closed door.
- **To cancel a wash programme in progress**, press for about 5 seconds the pushbutton of the programme in progress. Once past 5 seconds the dishwasher returns to setting mode and a new washing programme can be selected. This is valid also for the delay start.
- **During the setting of a programme with open door**, to cancel the setting simply press the On/Off pushbutton.
- **Before the elapse of the 5 seconds from the last pressure of a pushbutton**, to cancel the setting simply press the On/Off pushbutton.



Caution!

In general it is not advisable to open the door while the machine is working; if the door is opened however, a safety device ensures that the machine stops.

A programme underway is interrupted when you open the door.

- Close the door again. The programme will start again at the point it was interrupted.




Caution!

Opening the door could let very hot steam escape: you risk being scalded! Open the door with great care.

Do not open the door during the hot phase: this may cause hot water escape.

Maintenance and cleaning

Internal and external cleaning

 **Do not under any circumstances use furniture care products or aggressive cleaners.**


If necessary, clean the controls only with a soft cloth and pure warm water.


The spray arms do not need cleaning.

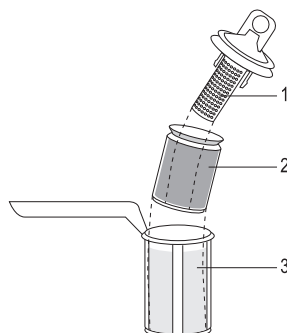
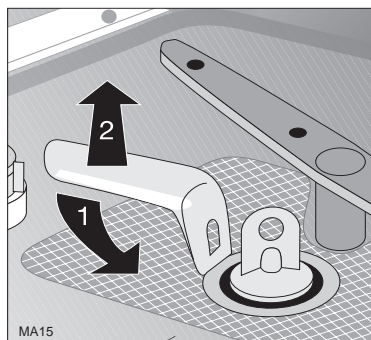
Occasionally check the internal containers, door seal and water inlet for soiling, clean if necessary.

We recommend every 3 months to run a 65°C wash programme without dishes using detergent.

Cleaning the filters

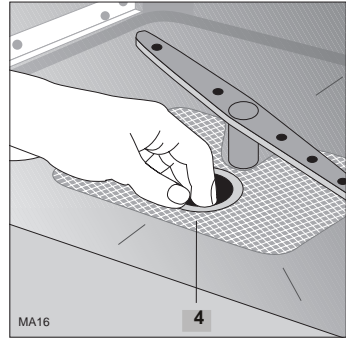
 The filters in the base of the washing compartment are to large extent self-cleaning. Nevertheless the filters should be checked and cleaned from time to time. Dirty filters will degrade the washing result.

-  1. Open the door, remove the lower basket.
2. The dishwasher filter system comprises a coarse/fine filter, microfilter and a flat filter. Unlock the filter system using a handle on the microfilter, and remove.
3. Turn the handle about $\frac{1}{4}$ a turn anticlockwise and remove.
4. Take hold of the coarse/fine filter (1/2) by the handle with the hole and remove from the microfilter (3).
5. Clean all filters thoroughly under running water.



MA17

6. Remove the flat filter (4) from the base of the washing compartment and clean both faces thoroughly.
7. Put the flat filter back in the base of the washing compartment.
8. Place the coarse/fine filter in the microfilter and press together.
9. Put the filter combination in place and lock by turning the handle clockwise to the stop. During this process ensure that the flat filter does not protrude above the base of the washing compartment.



Under no circumstances may the dishwasher be used without filters.

What to do, when...

Try to rectify minor faults on the dishwasher with the aid of the instructions given here.

...a flashing fault code appears

an audible signal informs you that an alarm has been activated, in the display appears one of the following flashing alarms: AL1 - AL2 - AL3 - AL4 - AL5 - AL6 - AL7 and the indicator light of the phase under way is flashing. They are indicative of a fault in the dishwasher that you can probably rectify yourself.

- press the On/Off pushbutton to switch the dishwasher off
- open the door and carry out the following suggested corrective actions.

Fault code	Possible cause	Remedy
"Open door" indicator light flashes	The door has not been properly closed.	Close the door.
"Water tap" indicator light flashes and/or alarm AL5	The water tap is closed.	Open the water tap.
	The mains water supply has been cut off.	
	The inlet hose may be squashed or bent.	Reposition correctly the hose.
	The inlet hose may be blocked.	Switch off the water supply and clean the filter.
Alarm AL6	The drain hose may be squashed or bent. The drain hose extension is not correct.	Reposition correctly the drain hose. Follow the instructions for connecting to the waste.
	The sink may be blocked.	Clear any blockages.
Alarm AL4	Protection against flooding is active.	Close the water tap and contact the Service Centre.
Alarms AL1 - AL2 - AL3 - AL7 - AL8	General	Open the door, switch off the dishwasher, switch back on and start a wash programme. If the fault code reappears contact the Service Centre.

Once checked the possible causes listed above, switch on the dishwasher and start a wash programme, if the fault code reappears contact the Service Centre.

...problems occur during use of the dishwasher

Malfunction	Possible cause	Remedy
The programme does not start	The plug is not properly inserted in the power socket.	Insert the plug.
	There is no current at the socket.	
The machine is noisy	Dishes are rattling against each other. The spray arms are knocking against the dishes.	Load correctly crockery, cutlery, pots and pans. Refer to "Loading cutlery and dishes"
The door is difficult to close	The dishwasher is not level, or not properly built-in.	Refer to "Installation" instructions.

...the wash results are not satisfactory

Visible lime deposits or white film on the dishes

- Check that the right level of the water softener is setted.
- Check that there is salt.

The dishes are not quite dry

- The rinse aid has run out or too little is being used.

The dishes are not clean

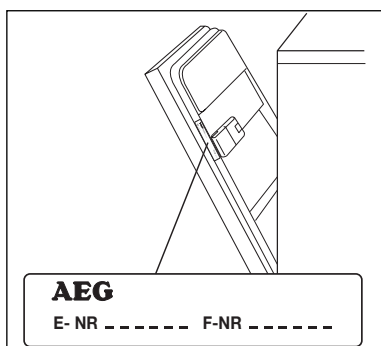
- The baskets are too full.
- The dishes have not been arranged properly.
- The spray arms do not rotate because incorrect loading of the baskets.
- The filters are clogged.
- The filters are not in position.
- Not enough detergent has been used or it is unsuitable.
- The detergent is old or has gone hard.
- The salt container cap is not properly closed.
- The washing programme is too gentle.

Customer service

In the section "Servicing", we have listed the most important faults which you can rectify yourself. Should you still wish to call our Service Centre for any of the specified faults or because the appliance is being wrongly operated, the service engineer's visit cannot be made free of charge even during the guarantee period.

Should you find no reference to a fault in the operating instructions, you should call our Service Centre.

When making your call, quote the E-No. (product number) and F-No. (serial number) indicated on the rating plate. It is located on the right inside edge of the door.



To keep these numbers handy, we recommend you enter them here.

E-No

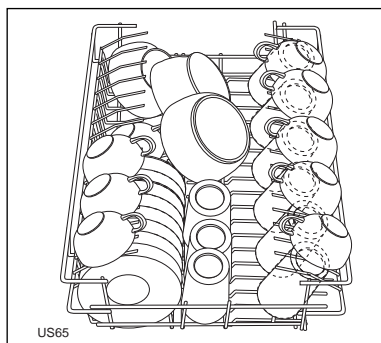
F-No

Your specifying these details enables the Service Centre to make precise identification of the spare part required so that the appliance can be repaired at the service engineer's first visit without your having to pay extra costs for repeated journeys by the service engineer.

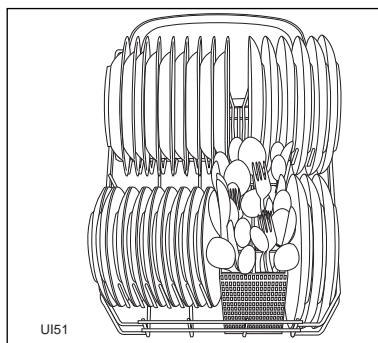
Hints for test centres

Before starting any test it is necessary to fill completely with salt the salt container and with rinse aid the rinse aid dispenser.

Test standard	EN 50242
Reference programme	- Economy BIO 50°C
Load	9 standard place settings
Rinse aid selector	position 4
Detergent dosage	- 20 g in the dispenser - 5 g on the dispenser lid



Arrangement upper basket



Arrangement lower basket

Technical data

Technical specifications

Dimensions	Width	45 cm
	Height with worktop	85 cm
	Height without worktop	82 cm
	Max depth	60 cm
	Max depth with open door	115,2 cm
Electrical connection		230 V - 50 Hz
Motor rating during wash		200 W
Power of heating element		2100 W
Overall power		2300 W
Water supply pressure	Minimum	50 kPa (0.5 bar)
	Maximum	800 kPa (8 bar)
Capacity		9 place settings

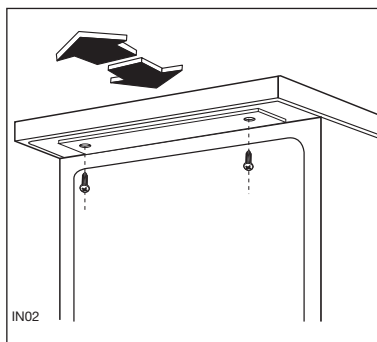
- CE** This appliance complies with the following E.E.C. Directives:
- 73/23/CEE of 19/02/73 (Low Voltage Directive) and subsequent modifications;
 - 89/336/CEE of 03/05/89 (Electromagnetic Compatibility Directive) and subsequent modifications.

Installation and connection instructions

Adjusting the worktop

You can move the worktop forward or backward by 25 mm in order to align the machine with other kitchen units.

Simply unscrew the two front retaining screws, move the top to the required position and then retighten the screws.



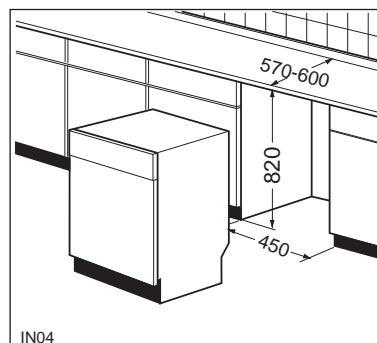
Fitting under a counter

(kitchen worktop or sink)

By removing the machine's worktop, you can install it under a close fitting sink unit or a pre-existing top, providing the dimensions of the recess correspond to those shown in the picture.

Proceed as follows:

- Remove the machine's worktop by unscrewing the two front retaining screws, pull from the front and slide out the rear slots, lifting the worktop.



Insert the machine after adjusting height and levelling with the adjustable feet. When inserting the machine, ensure that the water inlet and drain hoses are not kinked or squashed.

Levelling

Good levelling is essential for correct closure and sealing of the door. When the appliance is correctly levelled, the door will not catch on the levelling spacers, either side of the cabinet.

If the door does not close correctly, loosen or tighten the adjustable feet until the machine is perfectly level.

Connecting the water supply

- Your dishwasher can be connected to either a cold or hot water supply of max. 60°C.
- **Never connect** your dishwasher to open hot water appliances and continuous flow heaters!

Nevertheless we advise you a cold water supply. A hot water supply is not always efficient with very soiled crockery as it shortens the washing programmes.

Avoid bends or kinks in the hose which could prevent or slow down the water supply.

If the machine is connected to new pipes or pipes which have not been used for a long time, you should run the water for a few minutes before connecting the inlet hose. This will prevent deposits of sand or rust clogging the inlet hose.

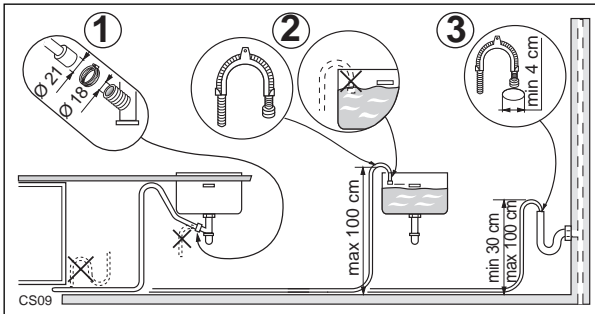
The water pressure must be within the limits given in the technical specifications.

Your dishwasher has been built in accordance with the valid regulations governing water-consuming appliances and is equipped with safety devices which prevent used water from flowing back into the drinking water mains.

Water outlet connection

The end of the drain hose can be connected as follows:

1. To the sink outlet siphon, securing it if necessary with a clip.
2. Hooked over the edge of the sink using the special curved plastic guide provided.
3. To a wall outlet provided with vent-hole, minimum internal diameter 4 cm.



The waste connection must be at a height of between 30 cm (minimum) and 100 cm (maximum) from the floor.

It makes no difference which way the drain hose faces, either to the right or left of the dishwasher.

Avoid bending or kinking the hose as this could prevent or slow down the discharge of water.

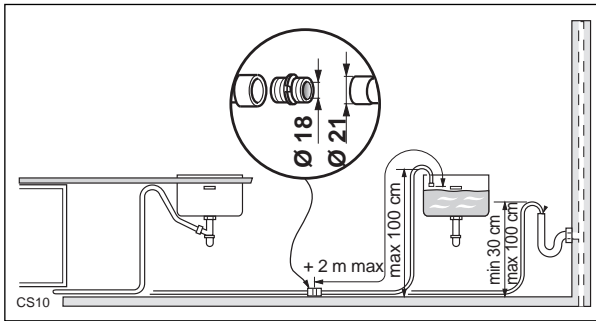
Extension hoses

The necessary extension hoses can be obtained from specialist shops or from our technical assistance centres.

The extension hose must be no longer than 2 metres and its internal diameter must be no smaller than the diameter of the hose provided.

Likewise the internal diameter of the couplings used for connection to the waste outlet must be no smaller than the diameter of the drain hose.

Arrange the extension hose horizontally along the floor and allow it to rise only where it is to be connected to the drain.



Water protection system

To protect your dishwasher from water damage, it is equipped with a water protection system.

In cases of malfunction on the control panel will appear **the flashing** alarm "AL4" (see "What do do, when...").

In this case turn off the water tap and call the Service Centre.

Electrical connection

Before plugging the appliance into the wall socket, make sure that:

1. The mains voltage corresponds to the voltage given in the technical specifications.
2. The meter, fuses, mains power supply and wall socket can all take the maximum load required.

Make sure that the socket and plug are compatible without having to use any type of adaptor. If necessary, have the domestic wiring system socket replaced.



Safety standards require the appliance to be earthed.

The Manufacturer accepts no liability for failure to observe the above safety precautions.

AEG Hausgeräte GmbH
Postfach 1036
D-90327 Nürnberg

<http://www.aeg.hausgeraete.de>

© Copyright by AEG



152985 56/1