



1720 Hayden Drive
Carrollton, TX 75006
P: 469.892.1122
F: 469.892.1123
www.upgi.com

chargers & maintainers

model # 24BC5000TU-1

upg #71711

Specifications:

3-Stage Switch Mode SLA Charger

Input Voltage:	100VAC- 240VAC
Input Frequency:	50Hz- 60Hz
Output Voltage:	
Bulk Charge:	29.4VDC +/- 0.5VDC
Float Charge:	27.4VDC +/- 0.5VDC
Output Current:	
Bulk Charge:	5A +/- 0.5A
Float Charge:	<1.2A
Over-Voltage Protection:	<30VDC
Over-Current Protection:	<5.5A
Ground Leakage Current:	0.1mA Max.
Input Power (Watts):	<180 Watts
Input Standby Power (Watts):	<8 Watts
Efficiency:	75%
Battery Size Range:	12AH - 50AH
Dielectric Withstand Voltage:	4.2KV for 1 min. @ 3.5mA
Insulation Resistance:	50 MΩ @ 500VDC, Input to Output
Operating Temperature:	-10 Deg. Cent. to +40 Deg. Cent.
Storage Temperature:	-10 Deg. Cent. to +80 Deg. Cent.



LED Status Indication:

LED 1(Blue) – Battery failure or Connector open LED 2(Clear) – Power
LED 3(Red) – Fast Charging LED 4(Yellow) – Float Charging LED 5(Green) – Fully Charged

Protection:

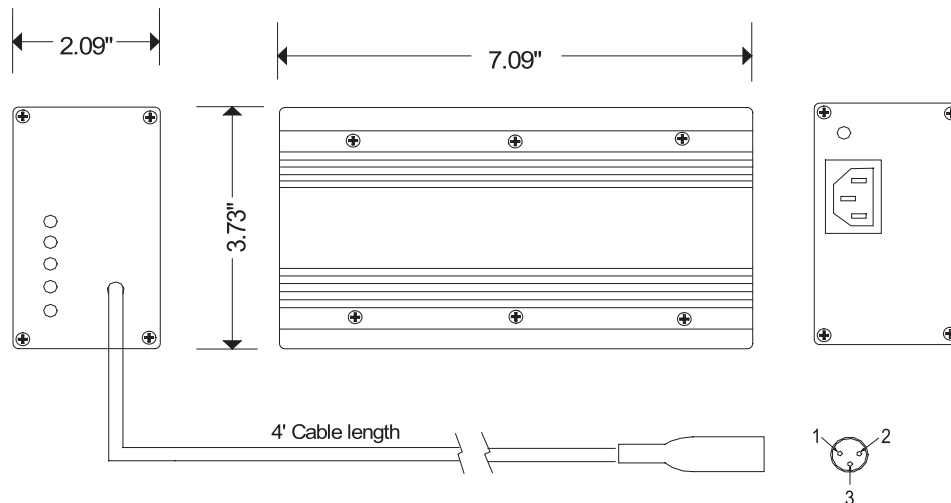
Short Circuit Protection, Over Current Protection, Over Voltage Protection, Battery Polarity Reversal

Connector:

3 Pin D (XLR type), Pin 1 = Positive, Pin 2 & 3 = ground

Safety Standards:

UL1012, CUL, CE, CB, GS, EN60335, C-Tick, FCC Part 15- Class B



Note: 1) Charger supplied with 5' AC 3-prong cord
2) Case material - Aluminum

Pin 1: Positive
Pin 2: Ground
Pin 3: Ground