

FEATURED MODEL

157-066-CR BLANCOALTA™ Kitchen Faucet in
Polished Chrome

ADDITIONAL MODELS

157-066-ST Stainless (Satin Nickel)

FEATURES

- Solid brass body and side spray
- Ceramic disc cartridge
- Extra long supply lines
- 2.2 G.P.M. flow rate
- Installation in a 1-3/8" hole, side spray in 1-3/8" hole

CODE/STANDARDS COMPLIANCE

ASME A112.18.1-2005
 IAPMO Listed

WARRANTY

Blanco America's Kitchen faucets feature a "NO HASSLE" LIMITED LIFETIME WARRANTY to be free of all manufacturing defects under normal use. See our complete warranty for details.

While Blanco America endeavors to provide accurate information, all dimensions are nominal, cannot be guaranteed, and are subject to change or cancellation. Blanco America assumes no responsibility for use of superseded or voided specifications.

PRODUCT SPECIFICATION

Kitchen faucet to include solid brass body and side spray, ceramic disc cartridge, and minimalist lever handle. Faucet dimensions to be as follows: Reach: 8-1/2"; Spout Height: 8". Reversible mounting hardware to adapt to thick or thin mounting surfaces. Kitchen faucet to be BLANCOALTA™, Model 157-066-_____ in _____ finish.

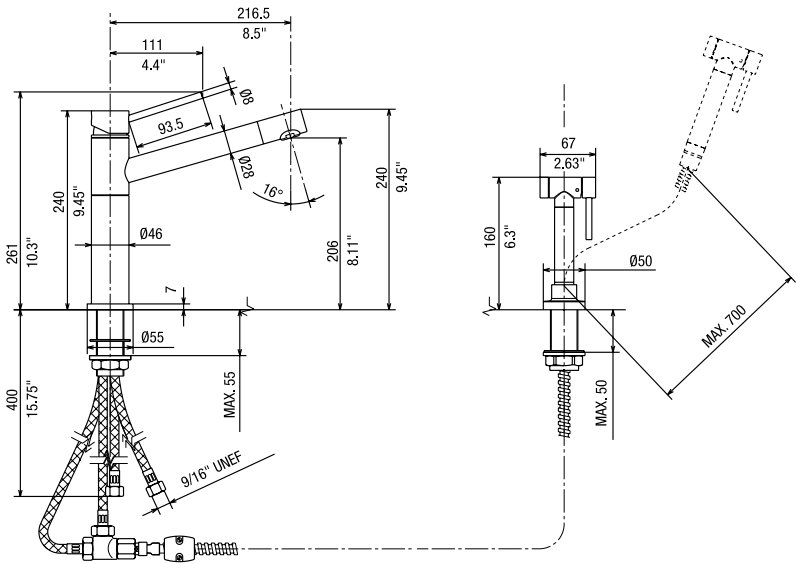
- Polished Chrome 157-066-CR
- Stainless (Satin Nickel) 157-066-ST



MODEL 157-066

NOMINAL DIMENSIONS

MODEL	REACH	SPOUT HEIGHT	FAUCET HEIGHT
157-066	8-1/2	8	10-1/4



JOB INFORMATION

Job Name: _____

Contact: _____

Date Specified: _____

Specifier: _____

Contractor: _____

See next page for exploded parts drawing and parts list.

BLANCO AMERICA
800.451.5782
www.blancoamerica.com

BLANCOALTA™ With Side Spray

MODEL 157-066

