

PLYLE®



view

13.3" High Res TFT-LCD Monitor



PLVW1340M
PLVW1350IR

Table of Contents

1. Table of Contents-----	1
2. Warning -----	1
3. Usage Notice -----	2
4. Package -----	3
5. Remote Control -----	3
6. User Controls -----	4
7. Start Your Installation -----	4
8. Setting Up The Dome Lamps -----	5
9. Installation Your Monitor -----	6
10. Closing Monitor -----	7
11. Operating the Monitor -----	7
12. OSD Menus in A/V Source -----	8
13. Quick Adjustment OSD Menus -----	8
14. Function Descriptions -----	9
15. Specifications -----	10
16. Appendix-----	11

WARNING

This unit is not intended for installation in the front Driver / Passenger Compartment where it may be seen by the Driver. Installation of this unit in any portion of the vehicle which could impair or distract the Driver is improper and dangerous and **PYLE view** assumes **No liability** whatsoever for failure to follow the proper installation of this product.

To reduce the risk of electric shock, please do not expose this unit to rain, moisture or open the unit. Dangerous high voltages are present inside the unit.

Our warranty could be voided if you make changes or modifications not expressly approved by **PYLE view**

Usage Notice

Follow all warnings, precautions and maintenance as recommended in this user's manual to maximize the life of your LCD monitor

- ⊘ To avoid the damage of the LCD monitor and risk of electronic shock, do not permeate the LCD monitor with water or any drink.
When this happens, turn off the power, unplug the power cord and send the LCD monitor to your local dealer or our service center as soon as possible.
- ⊘ Use a regular power specification of DC 12V. Do not use any other power supply different from the regularity.
- ⊘ Do not place objects on or suspend them with the power cord. This will make the power cord damaged.
- ⊘ Do not assemble or twist the power cord arbitrarily. And do not put it together with heated object.
- ⚠ Do not try to repair the power cord when it is damaged or broken, change a new one immediately.
- ⊘ Avoid any metal objects or inflammable dropping into the LCD monitor from ventilation slots.
- ⊘ Do not attempt to open or disassemble the LCD monitor yourself as this may cause electronic shock.
- ⚠ When there is smile or peculiar smell in use, unplug the power cord immediately and send it to your local dealer or our service center.
- ⚠ When there is damage or breach on the LCD monitor casing, send it to your local dealer or our service center.
- ⊘ Do not use this LCD monitor in the areas susceptible to excessive dust, dirt, and humid.
- ⊘ Do not setup the LCD monitor in direct sunlight, extremely hot, and cold environment.
- ⊘ Do not expose the LCD monitor to rain or moisture.

Package

This LCD monitor comes with all the items below. Check to make sure your unit complete. Contact your dealer immediately if anything is missing.

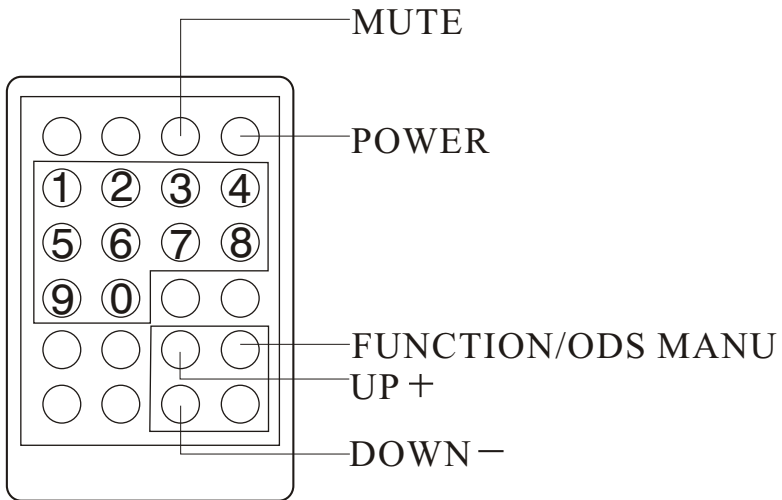
PLVW1340M & PLVW1350IR

- * 13.3" High RES TFT-LCD Monitor
- * Overhead Console Mounting Bracket
- * Credit Card Size Remote Control with Batteries
- * Interface Cable with RCA jacks for Audio / Video Connection and 12V DC
- * User's Manual

PLVW1350IR

- * Headphones
- * AAA 1.5V Batteries

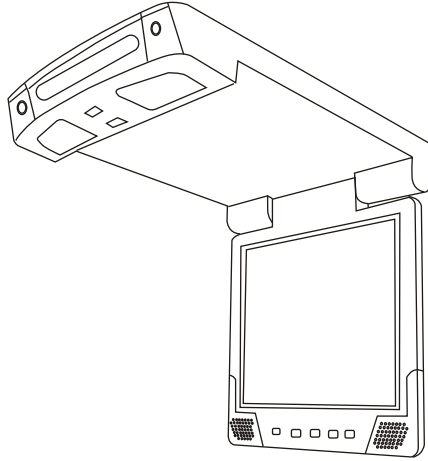
Remote Control



User Controls

User Control Overview

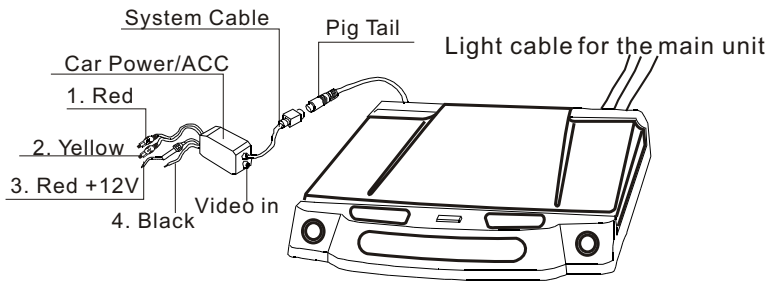
* Panel Control



Start Your Installation

Wiring

* Monitor connection



Color	Connection
1. Red RCA	Audio (Right side)
2. Yellow RCA	Video in
3. Red Line	+12V
4. Black Line	Ground

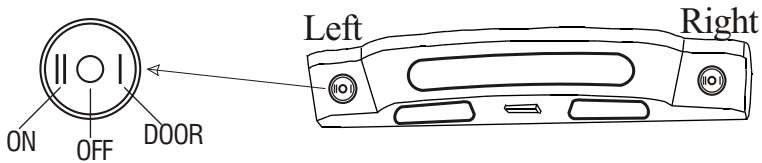
Setting Up The Dome Lamps

There are three settings for the interior light: OFF, DOOR and ON (see diagram below).

OFF: The lights are switched off.

DOOR: With this setting, the lights only come on when the vehicle's doors are opened.

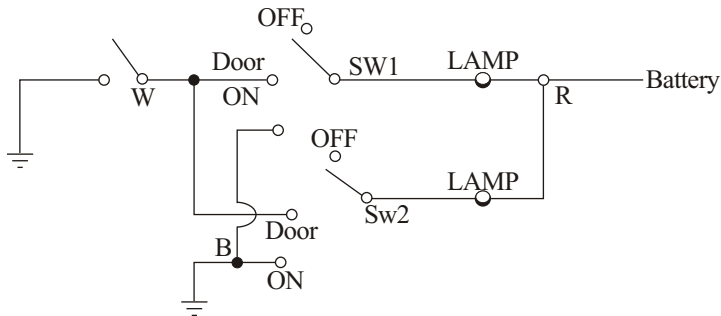
ON: The lights are switched on.



The right sw control right lamp
The left sw control left lamp

Notes:

- * There is no electrical cable connected to position "B", since "B" is connected to the ground via two screws.
- * The power supply must be 12 volts.

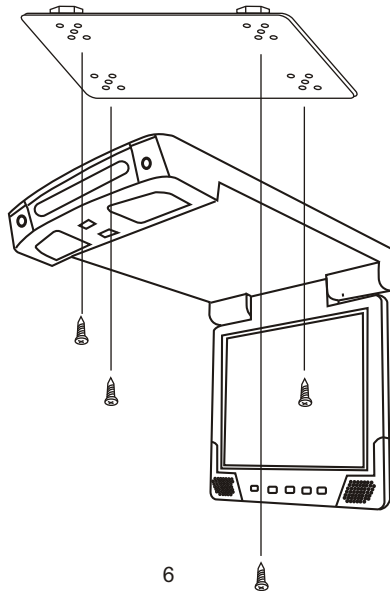


W=White=Connection to the sensor
B=Black=Ground
R=Red=Electrical connection

Installation your Monitor

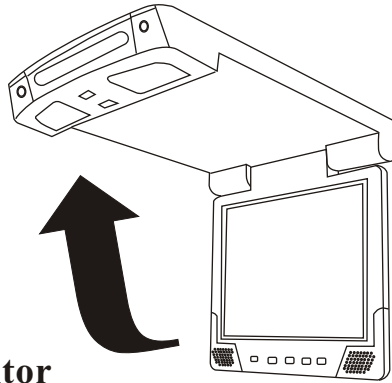
Take care to select a suitable fitting location and securing method for the monitor:

- *The unit should not distract or obstruct the driver.
- *The installation should not inhibit the entry to, or the exit from the vehicle.
- *The unit should not interfere with other vehicle components e,g (sliding sunroof).
- *Make sure the unit is installed to a secure, robust mounting location and cannot become dislodged in the event of an emergency stop.
- *Do not support the unit using only the vehicle interior roof lining.
- *If driving is required, take care not to penetrate through the other sheet metal of the vehicle.
- *Avoid prolonged use of the monitor when the engine is not running to prevent draining the vehicle battery.
- *Place the mounting metal plate with the nuts facing upward, then, mount the monitor by screws included



Closing Monitor

1. Return the monitor to the central viewing position.
(Refer to the following figure)
2. Push the monitor/TV back into the monitor base unit until the screen engages with the release button.



Operating the Monitor

* Powering up the monitor

The monitor will be automatically turned on when releasing the monitor from the base unit and "OFF" when it is closed.

Operating Instructions

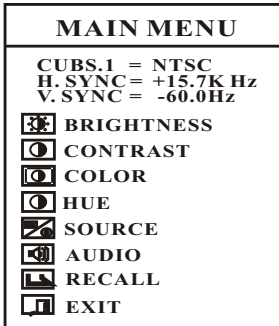
Opening the Monitor

1. Press the monitor release button to lower the LCD screen.
2. Lower the monitor until it is fixed 90° from the monitor base unit for viewing (Refer to the following figure.)

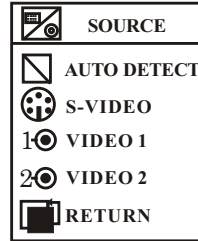


* OSD Menus in A/V Source

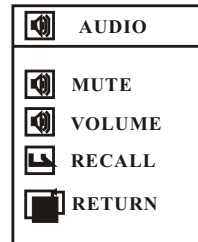
Press the "+" key to enter the sub-menu. Press "MENU" button to go back to the main menu.



A. Source Selection Menu

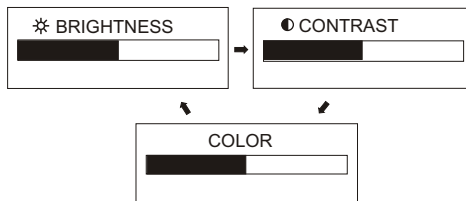


B. Audio Input Selection Menu



* Quick Adjustment OSD Menus

1. By pressing the "SELECT" button, you may open the following OSD menus directly. Use "+" or "-" key to make adjustment.



2. Press "+" or "-" button directly to adjust speaker volume.



Function Descriptions

Panel Control

- * Power: Power on/off Control
- * Menu: Pop up the OSD menus. Press the "Menu" button again to exit the OSD menus. When in sub-menu, press "MENU" again to go back to the main menu.
- * UP/Down Keys:
 1. Press the "up/down" key to increase or decrease volume.
 2. Make item selection in OSD menus to increase or decrease parameters as well.

Remote Control

- * Mute: Press the "Mute" button from the remote control to still the sound of the LCD monitor.
- * Volume:
 1. When the OSD menu function is turned off, press the "up/down" buttons directly from the remote control to adjust volume.
 2. Make item selection in OSD menus to increase or decrease parameters as well.
- * Brightness: Adjust brightness. (You may choose this from OSD menu.)
- * Contrast: Adjust contrast. (You may choose this from OSD menu.)
- * Color: Adjust picture color: (You may choose this from OSD menu.)
- * Power: When the power switch on the side unit is pushed to "1" position, you may also turn on or off the monitor by this "Power" button.

Specifications

Screen Size	13.3" diagonal
Resolution	1024 (H) x 768 (V) pixels
Number of colors	262, 144 colors
Pixel pitch & Format	0.264 (H) x 0.264 (V) mm
Brightness	Vertical Stripe Arrangement 130 cd/m ²
Maximum Contrast Ratio	200
Operating Temperature	0°C ~ 50°C
Storage Temperature	-25°C ~ +60°C
Back light	Cold cathode Filament Tube
View Angle L/R	40/40 Degrees
View Angle U/D	10/30 Degrees
Monitor Dimension	330(W) x 279(H) X 44(D) mm
Monitor Weight	2.5KG
Graphic Mode	VESA standard mode ($\leq 75\text{Hz}$)
On Screen Display	Supported
Power Saving mode	$\leq 450\text{mA}$
Power Consumption	2.25A @ DC 12V
A/V Video input	CVBS, RCA x 1
Video Input level	$1.0\text{V}_{\text{p-p}} \pm 0.5\text{V}_{\text{p-p}}$
Video Input Impedance	75 Ohms
Audio Input Level	$1.0\text{V}_{\text{p-p}} \pm 0.2\text{V}_{\text{p-p}}$
Audio Input Impedance	600 Ohms
Speaker Rating	1W x 2

Appendix

Changing the New Battery in Remote Control

1. Push the cassette button to wards the right. (As shown # 1 in below figure)
2. Pull the all battery cassette away from the remote control. As shown # 2 in below figure) Change a new battery.

