



30-Inch Manual-Clean Electric Coil Slide-Ins



22-46262 – White

- ▶ Sleek looking full glass oven door is easier to clean
- ▶ New easy-clean control panel
- ▶ 4.2 cu. ft. manual-clean oven
- ▶ Two oven racks
- ▶ Two 8" @ 2,600W and two 6" @ 1,500W coil elements
- ▶ Porcelain drip pans
- ▶ Easy Set™ 105 controls
- ▶ Storage drawer
- ▶ Includes rear top filler kit

Selection	
White	22-46262
Oven Features	
Cleaning System	Manual-Clean
Oven Capacity (cu. ft.)	4.2
Electronic Oven Controls	Easy Set™ 105
Oven Control Lockout	●
Oven Temperature Readout	●
Automatic Oven Shutoff	●
Variable Broiling System	Hi/Lo
Total Adjustable Oven Racks	2
Oven Light	●
Removable Glass Door	Frameless
Window	Standard
Oven Interior WxHxD (Inches)	24 1/8 x 16 1/2 x 18 1/32
Cooktop Features	
Cooktop Elements	Coil
8-in. (Watts)	2 @ 2,600
6-in. (Watts)	2 @ 1,500
Dishwasher-Safe Knobs	●
Cooktop Surface	Porcelain
Removable Drip Pans	Porcelain
Lift-up Cooktop	●
Cooktop On Indicator Lights	2

General Features	
Drawer	Storage
Power Rating (kW) @ 240V/208V	11.6/8.7
Bake/Broil @ 240V (Watts)	3,000/2,750
Bake/Broil @ 208V (Watts)	2,253/2,065
Breaker/Copper Wire Size (240V) ††	40/8
Shipping Weight (Approx. Lbs.)	158
Accessories	
Optional Backguard†	White 22-628-903046-9011
Optional Side Panel Kit†**	White 22-628-903066-9011
Rear Top Filler Kit†	Included
Range Cord Required	●
Warranty	
1-Year Limited Warranty – Entire Appliance	Parts & Labor

If used for other than private family purposes, warranty applies for only 90 days.

†Call Sears Parts 1-866-732-7728

††Always consult local and national electrical codes

**Kit includes two full size (right and left) panels. NOTE: Product is shipped with 4 1/2" minimum depth panels. Order this full size kit as needed.

Model	Overall	Console	Controls	Door/Drawer	Handle	Surface	Drip Pans
22-46262	White	White	White	White	White	White	Grey

Measure First! When replacing slide-in or drop-in ranges, be sure to confirm cut-out dimensions. Cut-out dimensions vary by model.





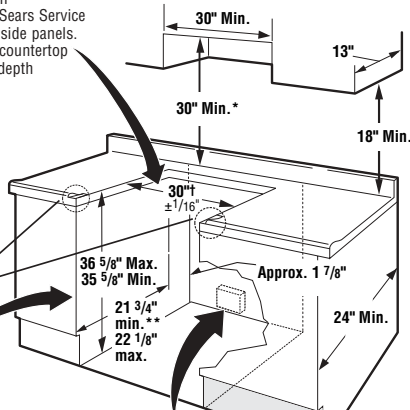
30-Inch Manual-Clean Electric Coil Slide-Ins

For existing 29" cutout width opening, you must call the Sears Service Center for optional thinner side panels. Also you must prepare the countertop edge as shown in "Counterdepth Preparation".

Shave Raised Edge To Clear 31 1/2" Wide Cooktop.

1 1/2" Max.

Locate Cabinet Doors 1" Min. From Cutout Opening



Grounded Junction Box or Wall Outlet Should Be Located 8" to 17" (20.3 - 43.2 cm) From Right of Cabinet and 2" to 4" From Floor

Do not pinch the power supply cord between the range and the wall.
Do not seal the range to the side cabinets.

***Note:** 24" min. clearance between the cooktop and the bottom of the cabinet when the bottom of the wood or metal cabinet is protected by not less than 1/4" flame retardant millboard covered with not less than No. 28 MSG sheet metal, 0.015" stainless steel, 0.024" aluminum, or 0.020" copper. 30" min. clearance when the cabinet is unprotected.

****Note:** Minimum cutout depth is increased to 24" with optional backguard.

†Note: To avoid cooktop glass breakage for cutout width of more than 30 1/16", make sure appliance is centered in the counter opening while pushing into it. Raise leveling legs at maximum position, insert the appliance in the counter and then level. Make sure the unit is supported by the leveling legs and not by the smoothtop glass itself.

††For cutouts below 22 7/8", appliance will slightly show out of the cabinet.

+Allow at least 19 1/4" clearance for door depth when it is open.

COUNTERTOP PREPARATION

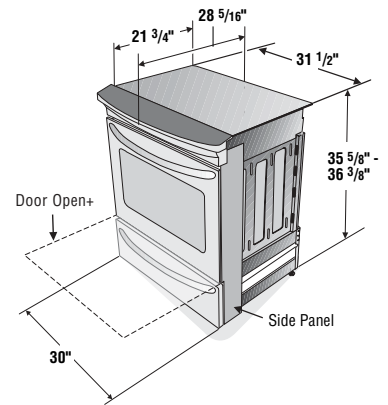
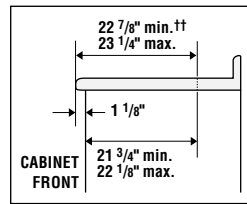
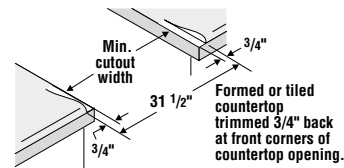
The cooktop sides of the range fit over the cutout edge of your countertop. **Countertop must be level.**

If you have a **square finish (flat) countertop**, no countertop preparation is required. Cooktop sides lay directly on edge of countertop.

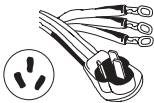
Formed front-edged countertops must have molded edge shaved flat 3/4" from each front corner of opening.

Tile countertops may need trim cut back 3/4" from each front corner and/or rounded edge flattened.

If the existing cutout width is greater than 30 1/16", reduce the 3/4" dimension.



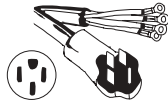
22-49614,
22-49616



RANGE CORD REQUIRED

Order	Wire	Length
22-49614	3	4 ft.
22-49616	3	6 ft.
22-49624*	4	4 ft.
22-49626*	4	6 ft.

22-49624,
22-49626



*Complies with 1/1/96 NEC code revision for new construction and remodeling

