

---

# OWNER'S MANUAL

---

## MANUAL TROLLEY TF2/TS2 SERIES

1/2 Ton through 20 Ton Capacity

Code, Lot and Serial Number

### **WARNING**

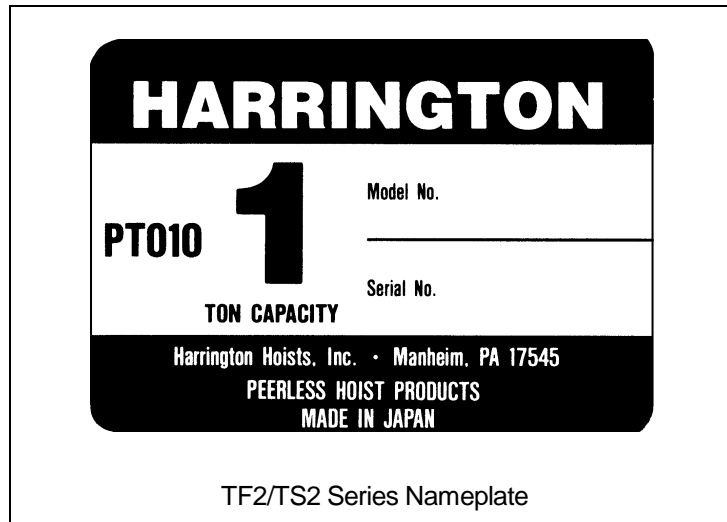
This equipment should not be installed, operated or maintained by any person who has not read and understood all the contents of this manual. Failure to read and comply with the contents of this manual can result in serious bodily injury or death, and/or property damage.

**HARRINGTON**  
HOISTS AND CRANES

## 8.0 1/2 to 20 Ton Parts List

When ordering Parts, please provide the Hoist code number, lot number and serial number located on the Hoist nameplate (see fig. below).

Reminder: Per sections 1.1 and 3.5.1 to aid in ordering Parts and Product Support, record the Hoist code number, lot number and serial number in the space provided on the cover of this manual.



The parts list is arranged into the following sections:

<b>Section ½ to 5 Ton</b>	<b>Page</b>
8.1 TF2 Push Trolley Parts – 1/8 to 5 Ton .....	62
8.2 TF2 Geared Trolley Parts – 1/8 to 5 Ton.....	64
8.3 TS2 Push Trolley Parts – 1/8 to 5 Ton .....	66
8.4 TS2 Geared Trolley Parts – 1/8 to 5 Ton .....	68
<b>Section 8 to 20 Ton</b>	
8.5 TF/TS Push/Geared Trolley Parts for CB Hoist – 8 to 10 Ton .....	70
8.6 TF/TS Push/Geared Trolley Parts for ER2 Hoist – 8 to 10 Ton .....	72
8.7 TF/TS Geared Trolley Parts for CB Hoist – 15 to 20 Ton .....	74
8.8 TF/TS Geared Trolley Parts for ER2 Hoist – 15 to 20 Ton .....	78

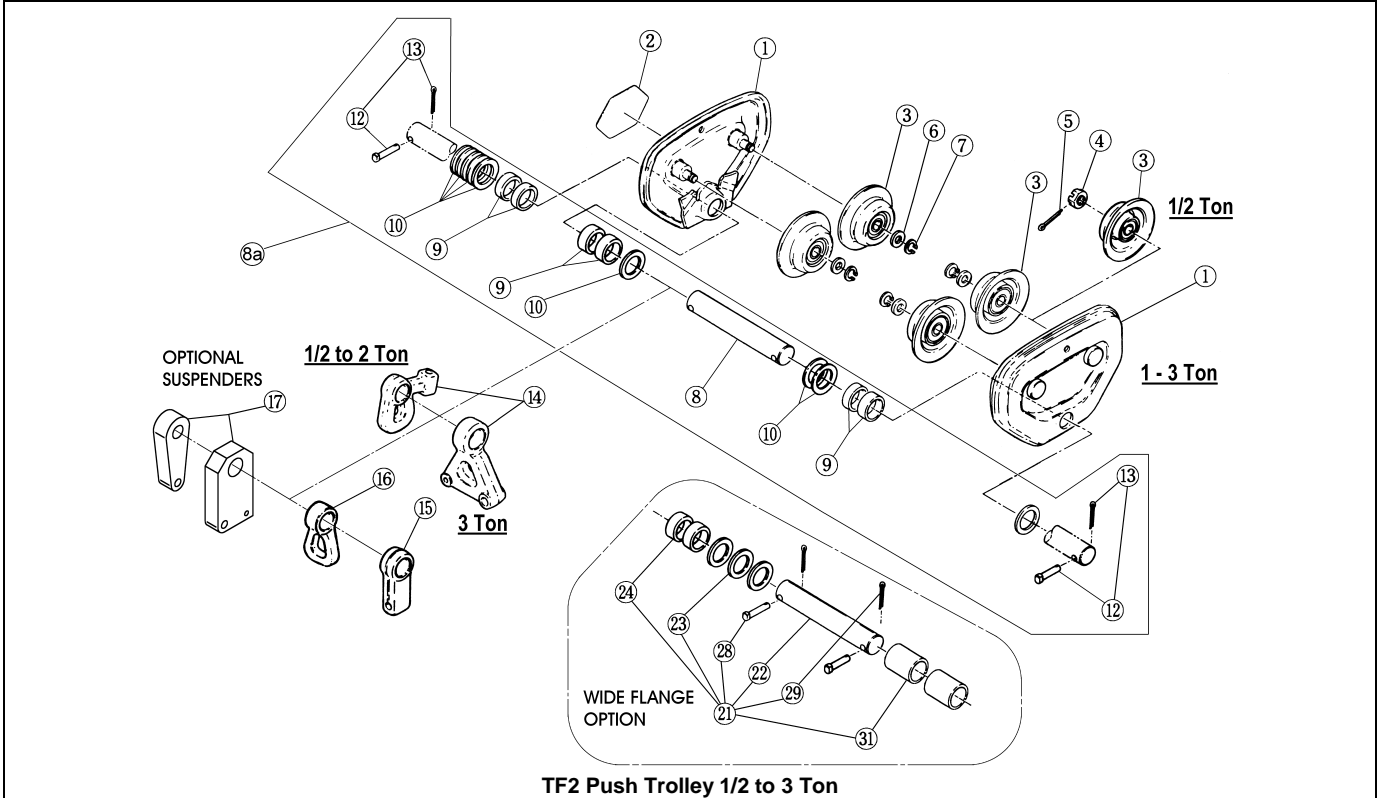
In the column "Parts Per Trolley" a designator is used for parts that apply only to a particular model or option.

Refer to Section 2 for TF2/TS2 Trolley model numbers and additional descriptions.

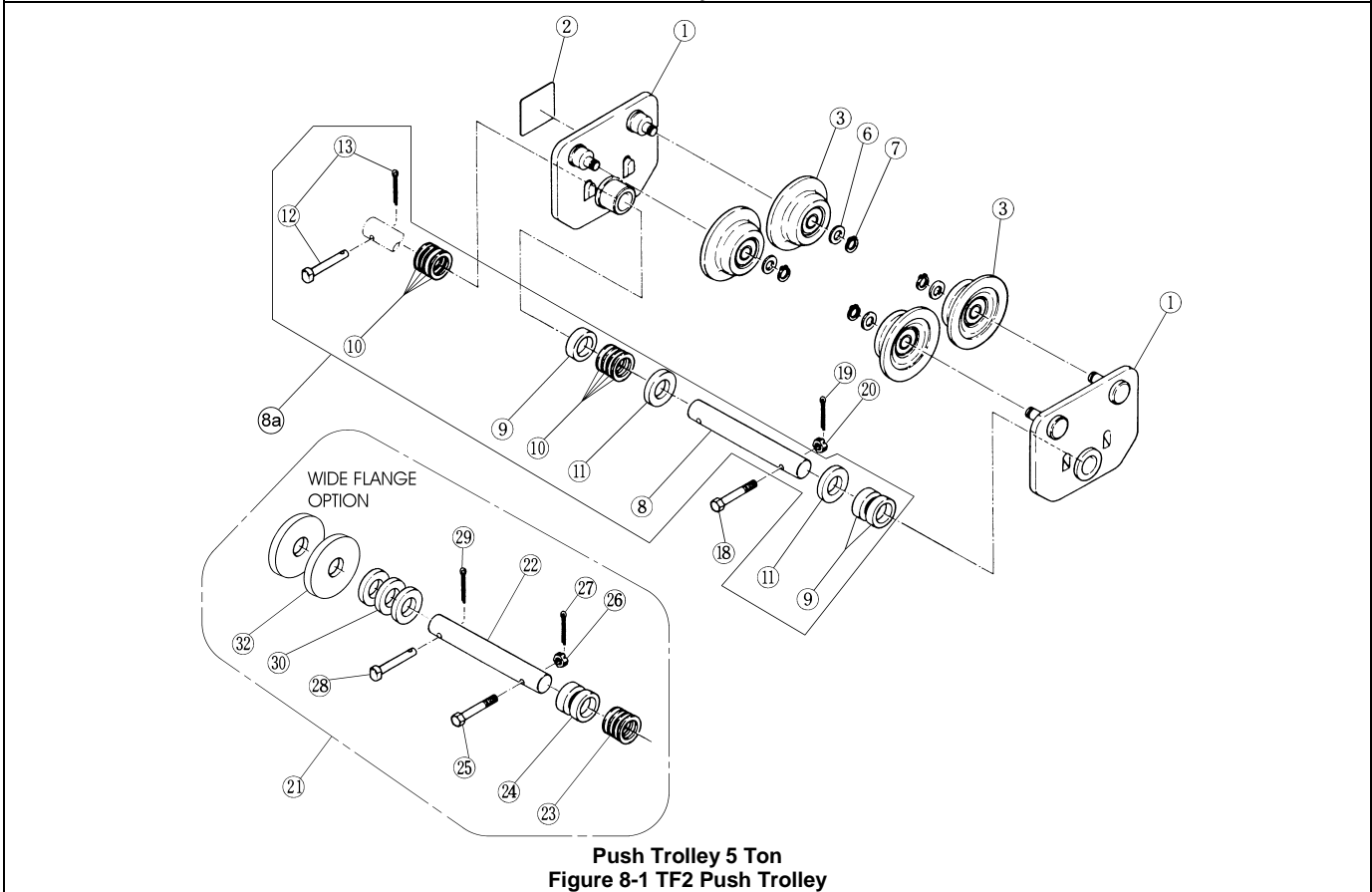
The designators are:

- Push = Push TF or TS model only
- Geared = Geared TF or TS model only
- Std. = Standard Flange Range
- Wide = Optional Wide Flange Range
- TS = TS model only

**8.1 TF2 Push Trolley Parts – 1/8 to 5 Ton**



**TF2 Push Trolley 1/2 to 3 Ton**



**Push Trolley 5 Ton  
Figure 8-1 TF2 Push Trolley**

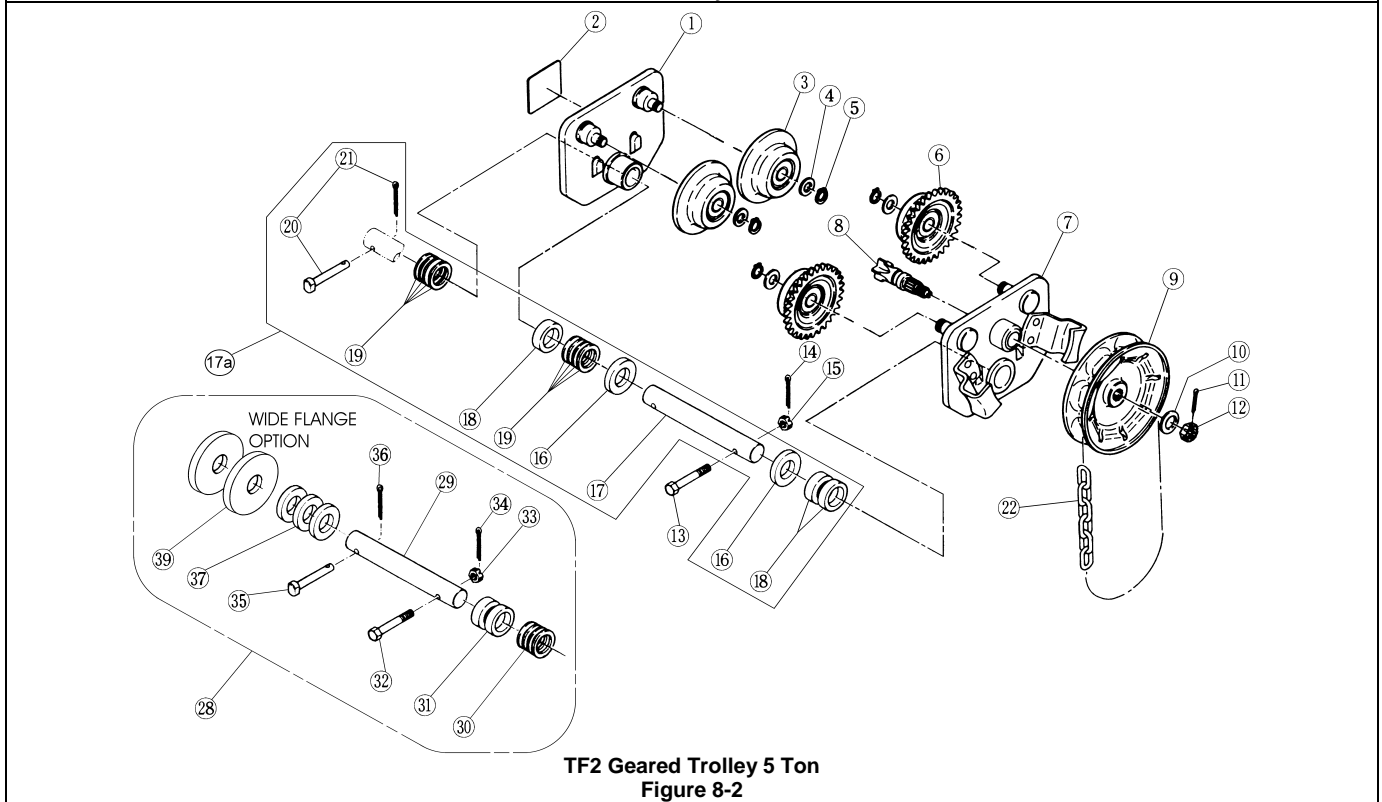
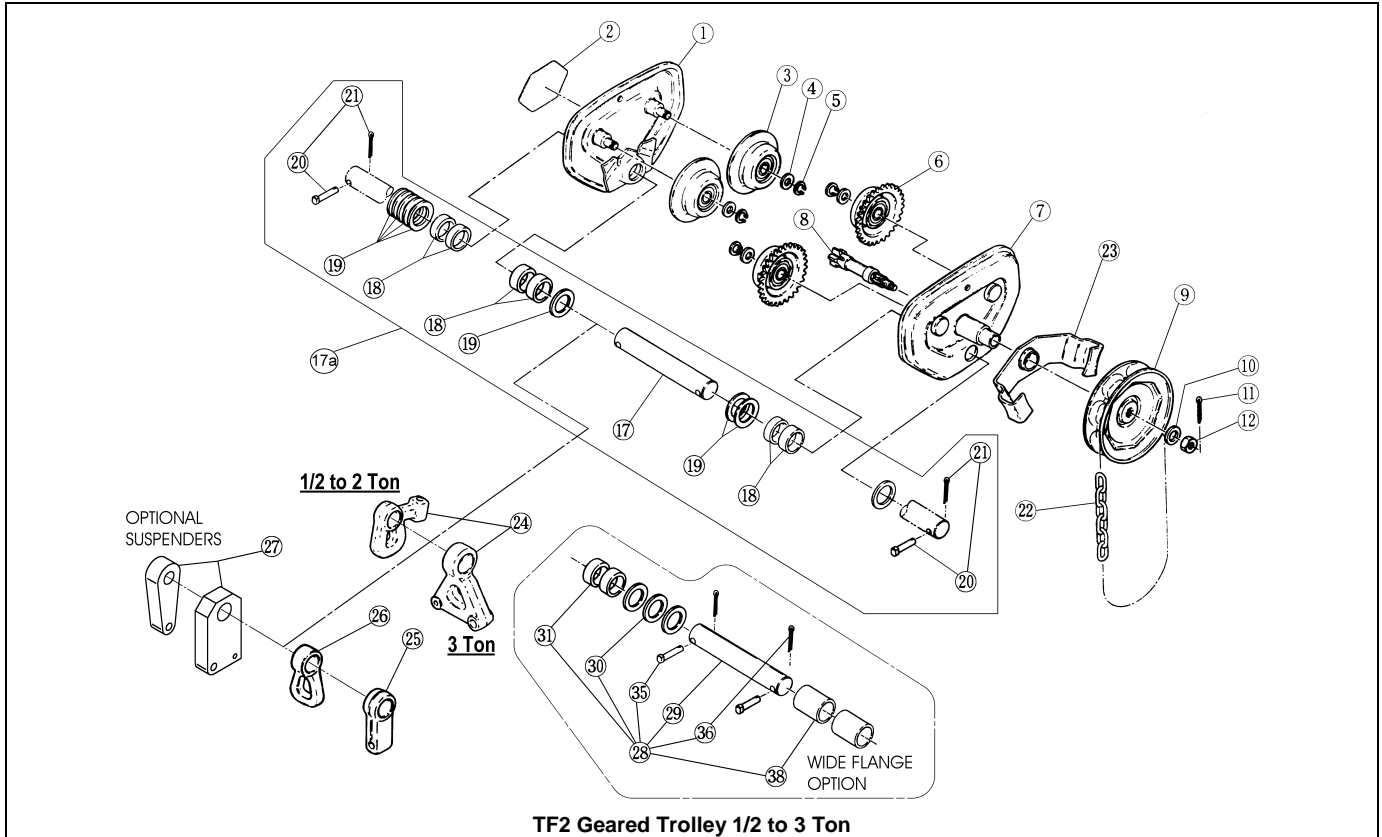
## 8.1 TF2 Push Trolley Parts – 1/8 to 5 Ton

Figure No.	Part Name	Parts Per Trolley	1/2 Ton	1 Ton	2 Ton	3 Ton	5 Ton	
1	Side Plate S Assembly	2	T6G5112005	T6G5112010	T6G5112020	T6G5112030	T3P110050	
2	Name plate B	1	T6G800005P	T6G800010P	T6G800020P	T6G800030P	T3P800050	
3	Track wheel S Assembly	4	T6G5102005	T6G5102010	T6G5102020	T6G5102030	T3P1102050	
4	Slotted nut	4	L3183008					
5	Split pin	4	9009413					
6	Track wheel washer	4		MS104010	MS104020	MS104030	MS104050	
7	Snap ring	4		9047115	9047120	9047125	9047135	
8a	Suspension shaft assembly Standard	1	T7G1115005	T7G1115010	T7G1115020	T7G1115030	T6G1115050	
8	Suspension shaft	1	T7G115005	T7G115010	T7G115020	T7G115030	T6G115050	
9	Thick spacer (qty)	X	T7G116005(4)	T7G116010(6)	T7G116020(6)	T7G116030(9)	MSF116050(3)	
10	Thin spacer (qty)	X	T7G117005(10)	T7G117010(9)	T7G117020(8)	T7G117030(11)	T6G120050(8)	
11	Thin Spacer L	2					T6G119050	
12	Shaft stopper pin	2*	T6G156005	T6G156010	T6G156020	MS164020	MS164030	
13	Split pin	2*	9009423			9009432		
14	Suspender C	1	T7GC004005	T7GC004010	T7GC004020	T7GC004030 (T7GCO04025)**		
15	Suspender E & G	1	T7GB004005	T7GB004010	T7GB004020	T7GB004030		
16	Suspender H	1	T6G019005	T6G019010	T6G019020	T6G019030		
17	TCR Suspender	1	6040204	60403 (1 Fall Chain) 6040201 (2 Fall Chain)	6040403	TF26K531030S		
18	Bolt Assembly	1					T3P153050	
19	Split pin	1					9009423	
20	Slotted nut	1					T3P154050	
21	Suspension Shaft Assembly Extended	1	T7PD136005 {4.01 to 8.00"} T7PD181005 {8.01 to 12.00"} T7PA0059136 {4.01 to 8.00"} T7PA0059181 {8.01 to 12.00"} T7GA0109136 {5.01 to 8.00"} T7GA0109181 {8.01 to 12.00"} T7GD136010 {5.01 to 8.00"} T7GD181010 {8.01 to 12.00"} T7GA0209181 {6.03 to 12.00"} T7GA0309181 {6.03 to 12.00"} T7GD181020 {6.03 to 12.00"} T7GD181030 {6.03 to 12.00"} T6GD181050 {7.03 to 12.00"} T6GA0509181 {7.03 to 12.00"} T7G117005 (10) T7G117010 (10) T7G117020 (10) T7G117030 (10) T6G120050 (8)					
22	Suspension Shaft	1						
23	Thin Spacer	X						
24	Thick Spacer	X						
25	Bolt Assembly	1					T3P153050	
26	Slotted Nut	1					T3P154050	
27	Split Pin	1					9009423	
28	Shaft Stopper Pin	*2	T6G156005	T6G156010	T6G156020	MS164020	MS164030	
29	Split pin	*2	9009423			9009432		
30	Thin Spacer L	2					T6G119050	
31	Fixing spacer	2						
32	Balancing Collar	2					T3GA0509137	

\* Quantity is 1 for 5 Ton.

\*\* Suspender for use with model CB025, 2 ½ Ton.

## 8.2 TF2 Geared Trolley Parts – 1/8 to 5 Ton



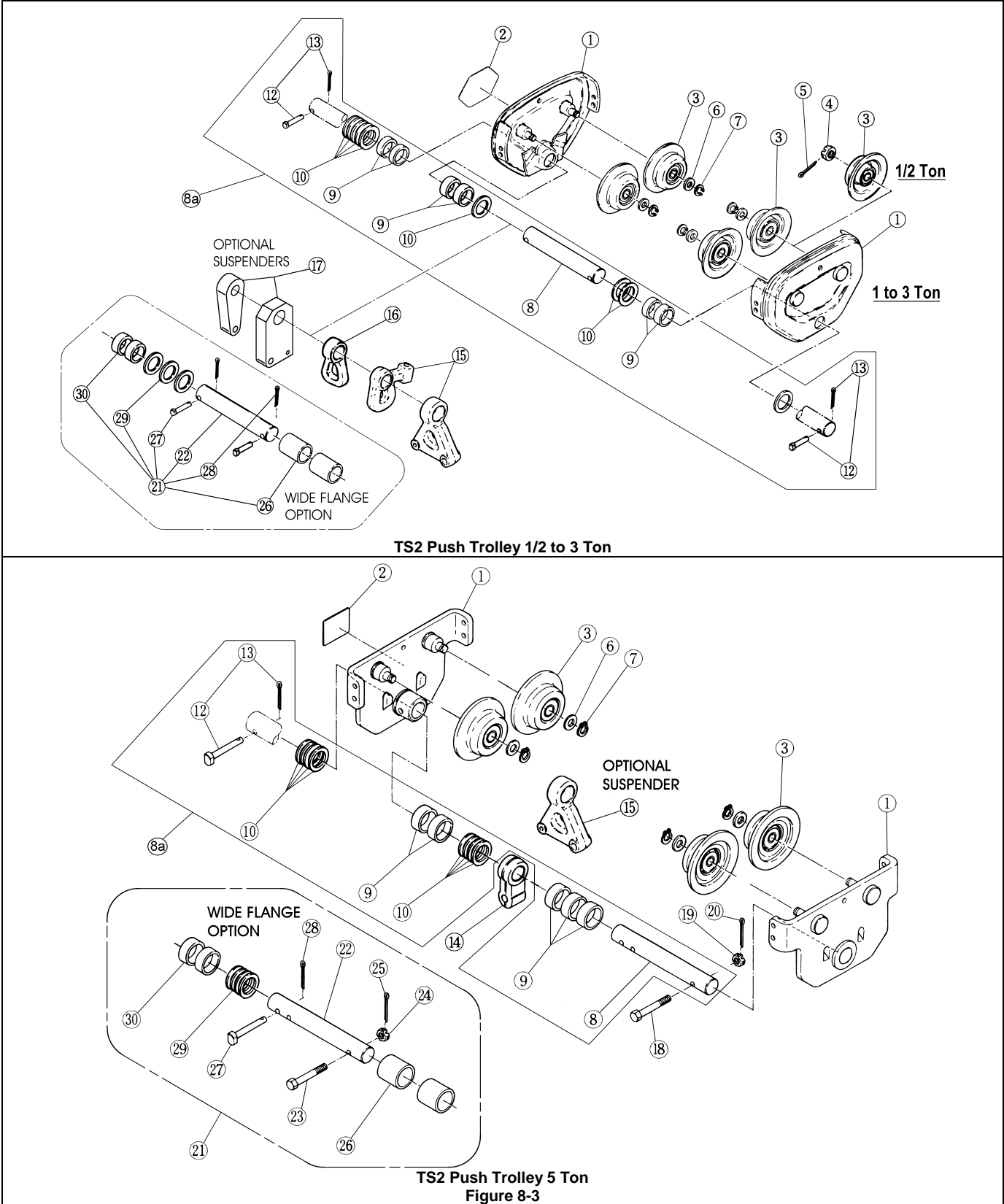
## 8.2 TF2 Geared Trolley Parts – 1/8 to 5 Ton

Figure No.	Part Name	Parts Per Trolley	1 Ton	2 Ton	3 Ton	5 Ton
1	Sideplate S Assembly	1	T6G5112010	T6G5112020	T6G5112030	T3P110050
2	Name plate B	1	T6G800010G	T6G800020G	T6G800030G	T3G800050
3	Track wheel S Assembly	2	T6G5102010	T6G5102020	T6G5102030	T3P1102050
4	Track wheel washer	4	MS104010	MS104020	MS104030	MS104050
5	Snap ring	4	9047115	9047120	9047125	9047135
6	Track wheel G Assembly	2	T6G5101010	T6G5101020	T6G5101030	T3G1101050
7	Sideplate G Assembly	1	T6G5111010	T6G5111020	T6G5111030	T3G5111050
8	Pinion	1	T7GC121010	T7GB121020		T3G121020
9	Hand wheel	1	T6G123010			T3G123010
10	Washer	1	9012515			
11	Split pin	1	9009423			
12	Lever nut	1	L4082090			T3G259010
13	Bolt Assembly	1				T3P153050
14	Split pin	1				9009423
15	Slotted nut	1				T3P154050
16	Thin Spacer L	2				T6G119050
17a	Suspension shaft assembly Standard	1	T7G1115010	T7G1115020	T7G1115030	T6G1115050
17	Suspension shaft	1	T7G1115010	T7G1115020	T7G1115030	T6G1115050
18	Thick spacer (qty)	X	T7G116010(6)	T7G116020(6)	T7G116030(9)	MSF116050(3)
19	Thin spacer (qty)	X	T7G117010(9)	T7G117020(8)	T7G117030(11)	T6G120050(8)
20	Shaft stopper pin	2	T6G156010	T6G156020	MS164020	MS164030
21	Split pin	2	9009423	9009432		
22	Hand chain	1	HCCF005			
23	Hand chain guide Assembly	1	T6G5121010			
24	Suspender C	1	T7GC004010	T7GC004020	T7GC004030 (T7GC004025)**	
25	Suspender E	1	T7GB004010	T7GB004020	T7GB004030	
26	Suspender H	1	T6G019010	T6G019020	T6G019030	
27	TCR Suspender	1	60403 (1 Fall Chain) 6040201(2 Fall Chain)	6040403	TF26K531030S	
28	Suspension Shaft Assembly Extended	1	T7GD136010 {5.01 to 8.00"} T7GD181010 {8.01 to 12.00"}	T7GD181020 {6.03 to 12.00"}	T7GD181030 {6.03 to 12.00"}	T6GD181050 {7.03 to 12.00"}
29	Suspension Shaft	1	T7GA0109136 {5.01 to 8.00"} T7GA0109181 {8.01 to 12.00"}	T7GA0209181 {6.03 to 12.00"}	T7GA0309181 {6.03 to 12.00"}	T6GA0509181 {7.03 to 12.00"}
30	Thin Spacer	X	T7G117010 (10)	T7G117020 (10)	T7G117030 (10)	T6G120050 (8)
31	Thick Spacer	X	T7G116010 {5.01 to 8.00"}-(5) {8.01 to 12.00"}-(7)	T7G116020 (11)	T7G116030 (11)	MSF116050 (11)
32	Bolt	1				T3P153050
33	Nut	1				T3P154050
34	Split Pin	1				9009423
35	Shaft Stopper Pin	*2	T6G156010	T6G156020	MS164020	MS164030
36	Split Pin	*2	9009423	9009432		
37	Thin Spacer L	2				T6G119050
38	Fixing Spacer	2	T7GA0109137 {5.01 to 8.00"} T7GA0109182 {8.01 to 12.00"}	T7GA0209182	T7GA0309182	
39	Balancing Collar	2				T3GA0509137

\* Quantity is 1 for 5 Ton.

\*\* Suspender for use with model CB025, 2 ½ Ton.

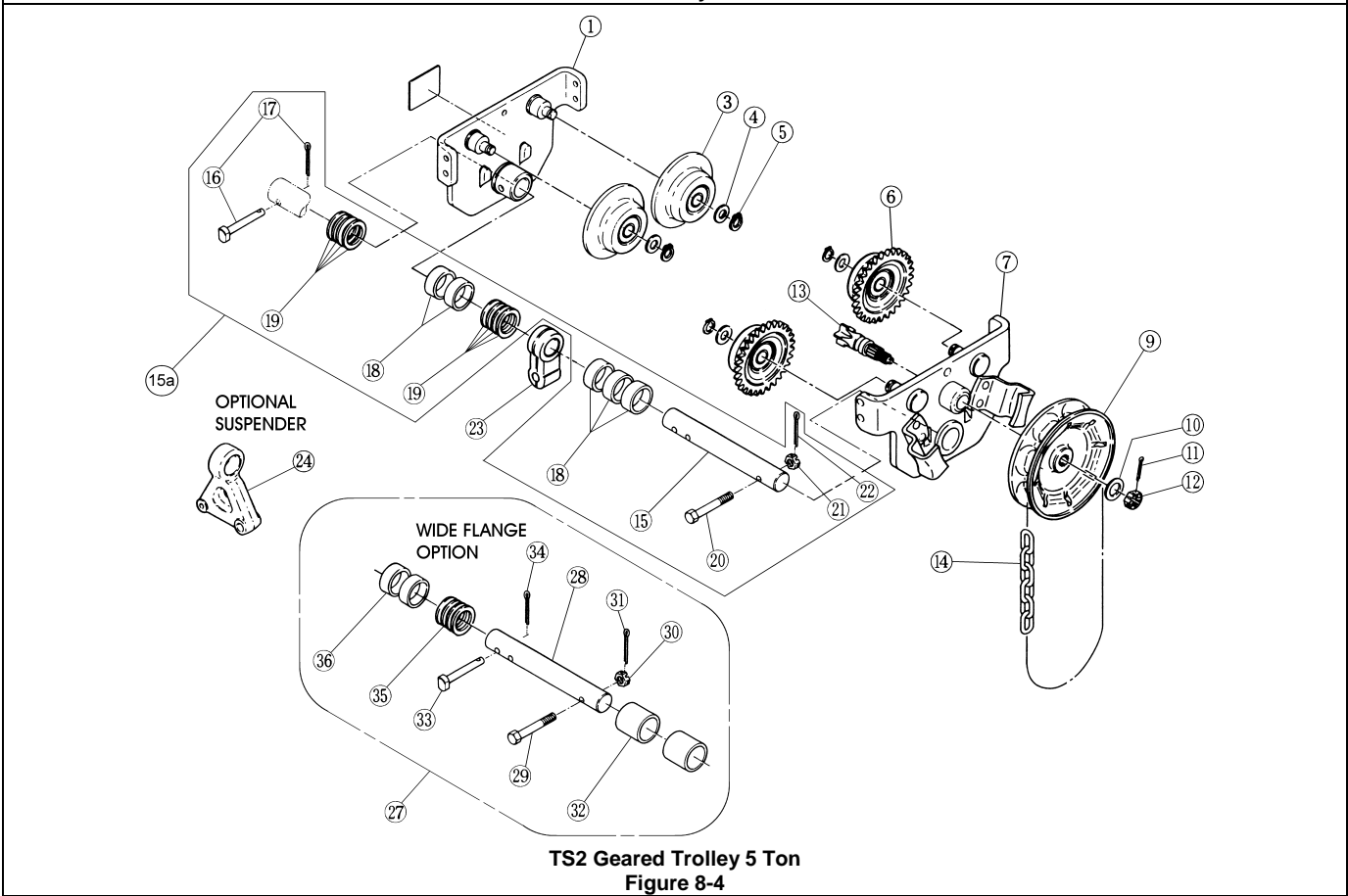
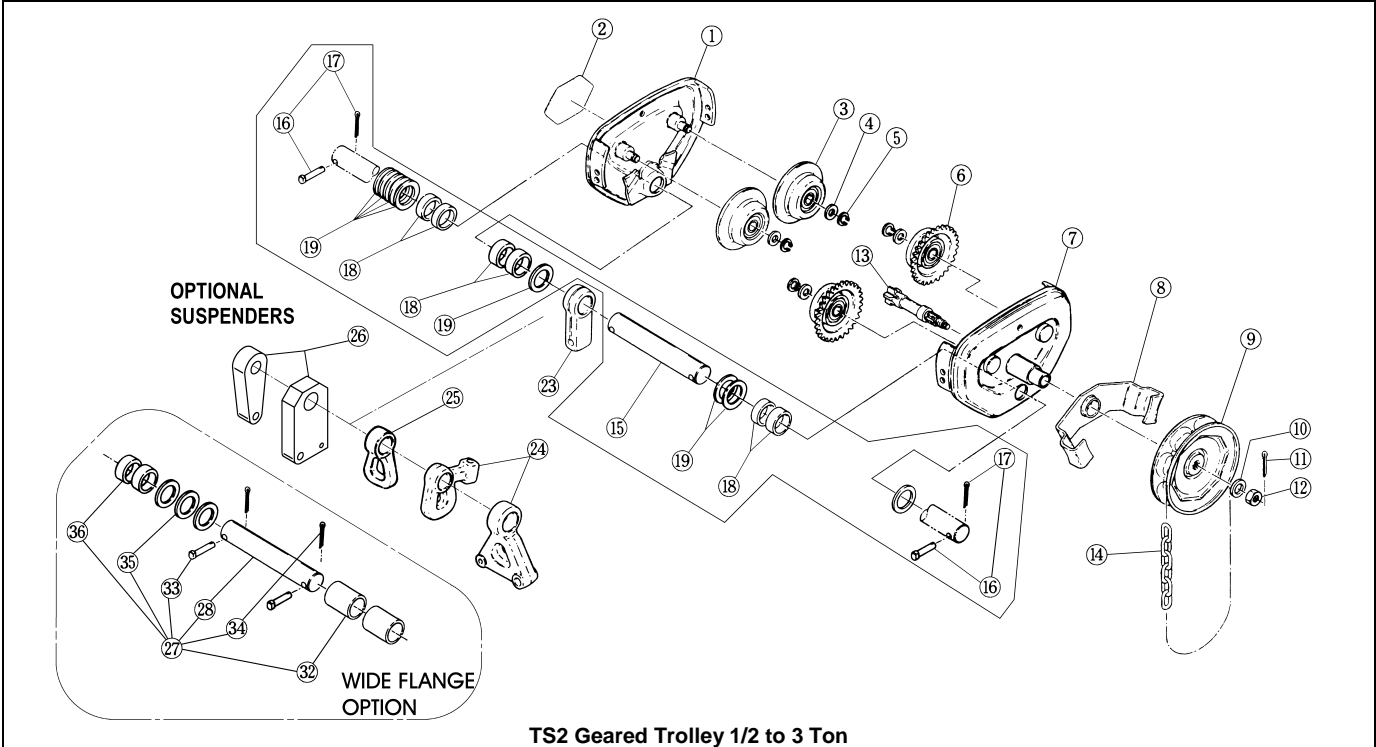
### 8.3 TS2 Push Trolley Parts – 1/8 to 5 Ton







### 8.4 TS2 Geared Trolley Parts – 1/8 to 5 Ton

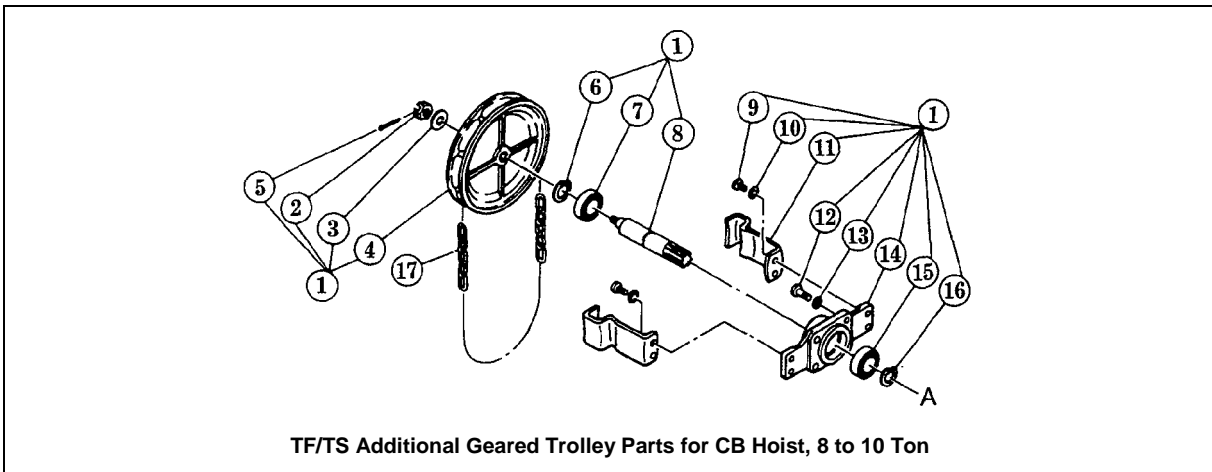
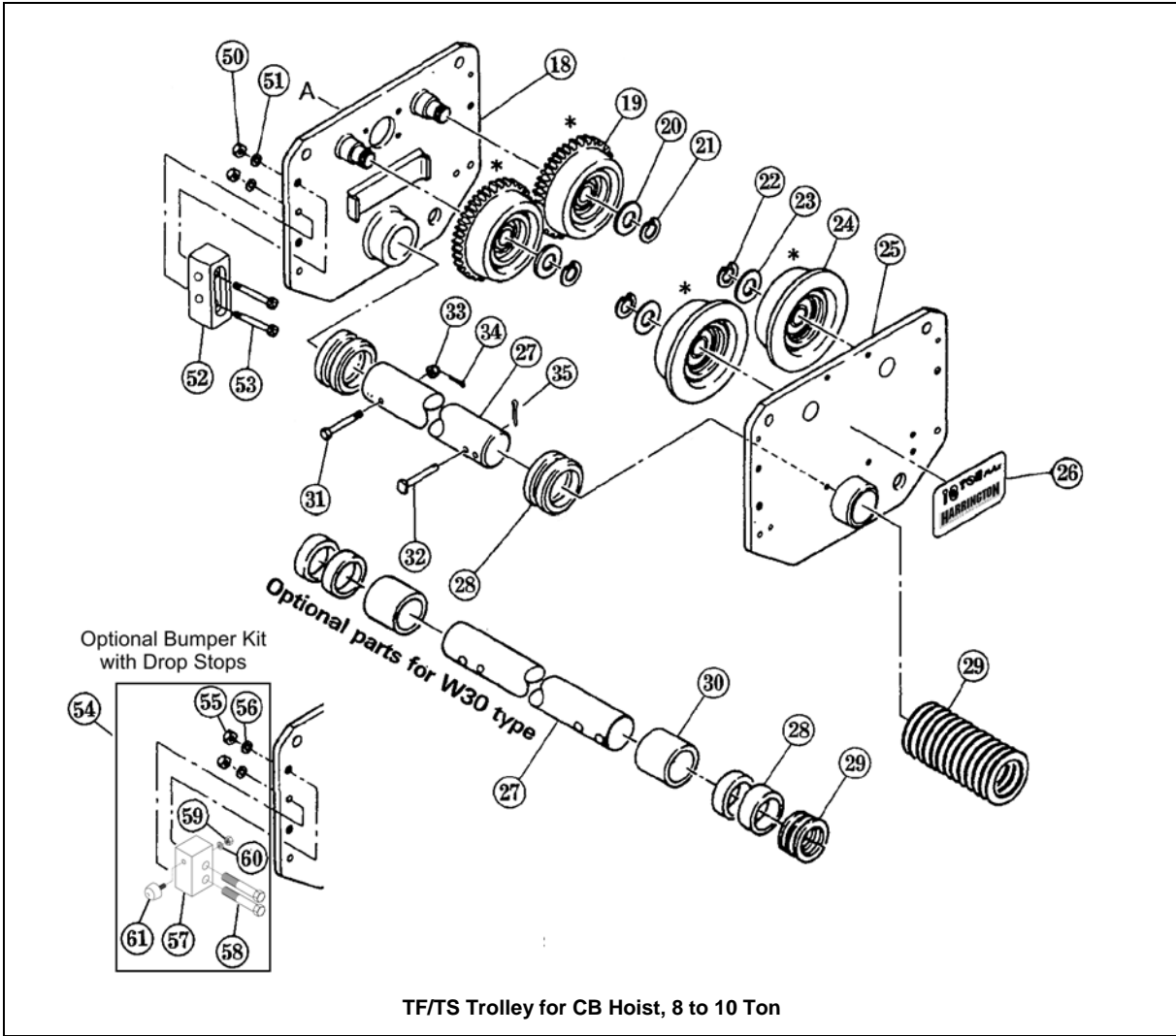


## 8.4 TS2 Geared Trolley Parts – 1/8 to 5 Ton

Figure No.	Part Name	Parts Per Trolley	1 Ton	2 Ton	3 Ton	5 Ton
1	Sideplate S Assembly	1	T7GA0105112	T7GA0205112	T7GA0305112	T5GA0505112
2	Name plate B	1	T6G800010G	T6G800020G	T6G800030G	T3G800050
3	Track wheel S Assembly	2	T6G5102010	T6G5102020	T6G5102030	T3P1102050
4	Track wheel washer	4	MS104010	MS104020	MS104030	MS104050
5	Snap ring	4	9047115	9047120	9047125	9047135
6	Track wheel G Assembly	2	T6G5101010	T6G5101020	T6G5101030	T3G1101050
7	Sideplate G Assembly	1	T7GB0105111	T7GA0205111	T7GA0305111	T5GA0505111
8	Hand chain guide Assembly	1	T6G5121010			
9	Hand wheel		T6G123010			T7GA0509123
10	Washer	1	9012515			
11	Split pin	1	9009423			
12	Lever nut	1	L4082090			T3P154050
13	Pinion	1	T7GC121010	T7GB121020		T4GB0109121
14	Hand chain	1	HCCF005			
15a	Suspension shaft assembly Standard	1	T7G1115010	T7G1115020	T7G1115030	T7G1115050
15	Suspension shaft	1	T7G115010	T7G115020	T7G115030	T7GA0509115
16	Shaft stopper pin	2	T6G156010	T6G156020	MS164020	MS164030
17	Split pin	2	9009423	9009432		
18	Thick spacer (qty)	X	T7G116010(6)	T7G116020(6)	T7G116030(9)	MSF116050(5)
19	Thin spacer (qty)	X	T7G117010(9)	T7G117020(8)	T7G117030(11)	MSF117050(8)
20	Bolt Assembly	1				T3P153050
21	Slotted nut	1				T3P154050
22	Split pin	1				9009423
23	Suspender E	1	T7GB004010	T7GB004020	T7GB004030	M7S004050
24	Suspender C	1	T7GC004010	T7GC004020	T7GC004030	M3004050
25	Suspender H	1	T6G019010	T6G019020	T6G019030	
26	TCR Suspender	1	6040201 (1 Fall Chain) 60403 (2 Fall Chain)	6040403	TF26K531030S	
27	Suspension Shaft Assembly Extended	1	T7GD136010 {5.01 to 8.00"} T7GD181010 {8.01 to 12.00"} T7GA0109136 {5.01 to 8.00"} T7GA0109181 {8.01 to 12.00"} T7GA0209181 {6.03 to 12.00"} T7GA0309181 {6.03 to 12.00"} T7GA0509181 {7.03 to 12.00"} T7GA0109137 {5.01 to 8.00"} T7GA0109182 {8.01 to 12.00"} T7GA0209182 T7GA0309182 T7GA0509182	T7GD181020 {6.03 to 12.00"} T7GA0209181 {6.03 to 12.00"} T7GA0309181 {6.03 to 12.00"} T7GA0509181 {7.03 to 12.00"} T7GA0209182 T7GA0309182 T7GA0509182	T7GD181030 {6.03 to 12.00"} T7GA0309181 {6.03 to 12.00"} T7GA0509181 {7.03 to 12.00"} T7GA0309182 T7GA0509182	T7GD181050 {7.03 to 12.00"} T7GA0509181 {7.03 to 12.00"} T7GA0509182 T7GA0509182
28	Suspension Shaft	1	T7GA0109136 {5.01 to 8.00"} T7GA0109181 {8.01 to 12.00"} T7GA0209181 {6.03 to 12.00"} T7GA0309181 {6.03 to 12.00"} T7GA0509181 {7.03 to 12.00"} T7GA0109137 {5.01 to 8.00"} T7GA0109182 {8.01 to 12.00"} T7GA0209182 T7GA0309182 T7GA0509182	T7GA0209181 {6.03 to 12.00"} T7GA0309181 {6.03 to 12.00"} T7GA0509181 {7.03 to 12.00"} T7GA0209182 T7GA0309182 T7GA0509182	T7GA0309181 {6.03 to 12.00"} T7GA0509181 {7.03 to 12.00"} T7GA0309182 T7GA0509182	T7GA0509181 {7.03 to 12.00"} T7GA0509182 T7GA0509182
29	Bolt	1				T3P153050
30	Nut	1				T3P154050
31	Split Pin	1				9009423
32	Fixing Spacer	2	T7GA0109137 {5.01 to 8.00"} T7GA0109182 {8.01 to 12.00"} T7GA0209182 T7GA0309182 T7GA0509182	T7GA0209182 T7GA0309182 T7GA0509182	T7GA0309182 T7GA0509182	T7GA0509182 T7GA0509182
33	Shaft Stopper pin	*2	T6G156010	T6G156020	MS164020	MS164050
34	Split Pin	*2	9009423	9009432		
35	Thin Spacer	X	T7G117010 (10)	T7G117020 (10)	T7G117030 (10)	MSF117050 (8)
36	Thick Spacer	X	T7G116010 {5.01 to 8.00"}-(5) {8.01 to 12.00"}-(7)	T7G116020 (11)	T7G116030 (11)	MSF116050 (11)

\* Quantity is 1 for 5 Ton.

### 8.5 TF/TS Push/Geared Trolley Parts for CB Hoist – 8 to 10 Ton

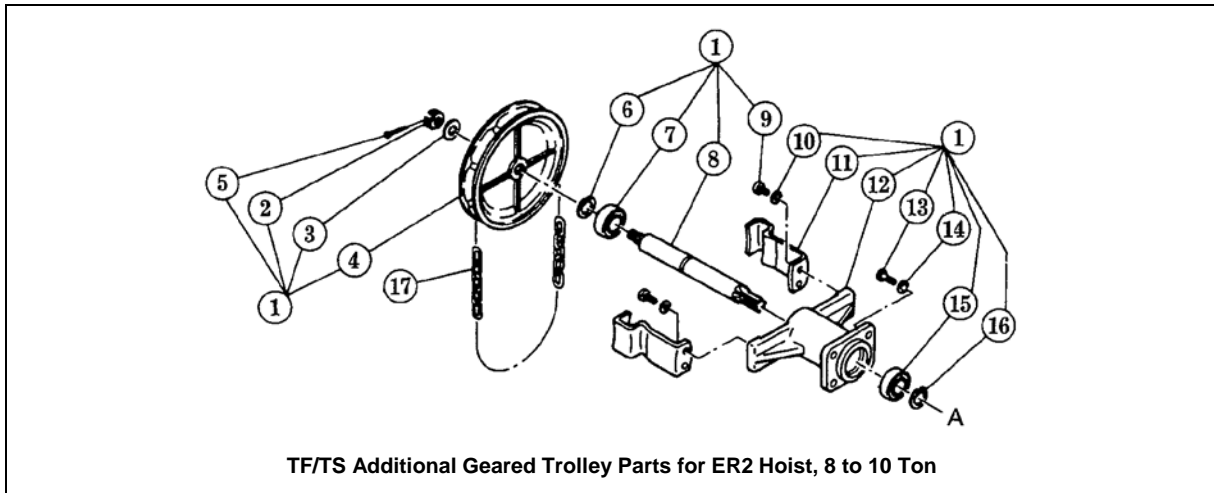
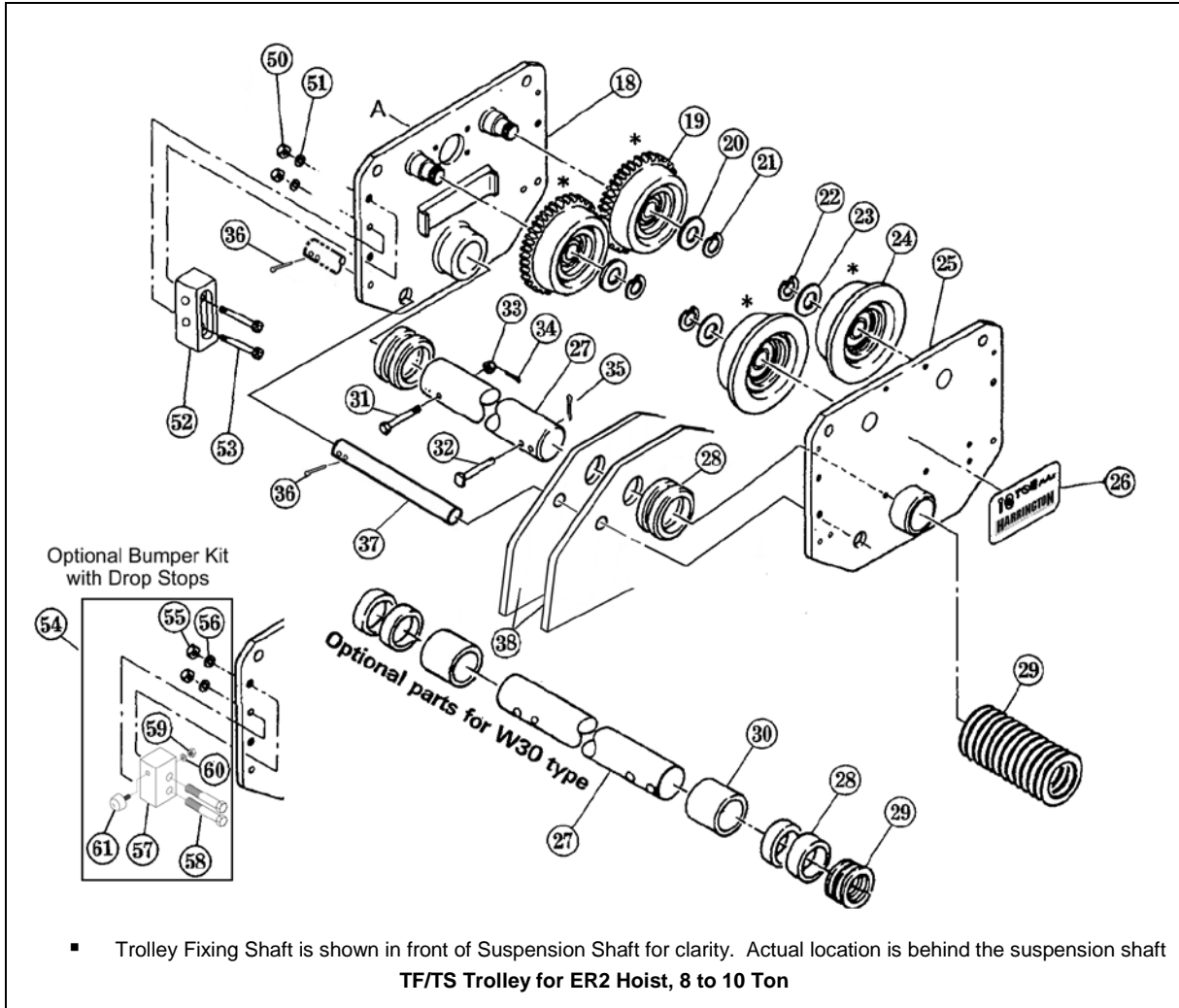


## 8.5 TF/TS Push/Geared Trolley Parts for CB Hoist – 8 to 10 Ton

Figure No.	Part Name	Parts Per Trolley		8 Ton	10 Ton
1	Hand wheel Assembly	Geared	1	T3G123AM075	
2	Slotted nut		1	T3P154050	
3	Washer		1	9012515	
4	Hand wheel		1	T3G123075	
5	Split Pin		1	9009423	
6	Snap ring		2	9047130	
7	Ball bearing		2	9000506	
8	Pinion		1	T3G127100	
9	Socket bolt		4	9091272	
10	Spring washer		4	9012711	
11	Hand chain guide		2	T3G125075	
12	Socket bolt		4	9091295	
13	Spring washer		4	9012712	
14	Pinion holder		1	T3G128100	
15	Ball bearing		2	9000506	
16	Snap ring		2	9047130	
17	Hand chain	1	HCCF005		
18	Side plate G Assembly	1	T3G5111075		
19	Track wheel G Assembly	2	T3G1101075		
20	Washer	4	MS104075		
21	Snap ring	4	9047140		
22	Snap ring	4	9047140		
23	Washer	4	MS104075		
24	Track wheel S assembly	2	T3G1102075		
25	Side plate S assembly	1	T3G5110075		
26	Name plate B	Push	1	T3P800080	T3P800100
		Geared		T3G800080	T3G801100
27	Suspension Shaft	Std.	1	MS115075	
		Wide		MSF181075	
28	Thick spacer*	8	MS117075		
29	Thin spacer*	Std.	8	MS116075	
		Wide	9		
30	Fixing spacer	Wide	2	M6SE100S9182	
31	Bolt	1	MS161100		
32	Shaft stopper pin	1	MS164075		
33	Slotted nut	1	T3G154075		
34	Split pin	1	9009436		
35	Split pin	1	9009436		
50	Nut	TS	8	9093439	
51	Spring washer	(Not compatible with bumpers)	8	9012715	
52	Drop Stop		4	T5AB0759141	
53	Socket bolt		8	90912156	
54	Bumper Kit	Optional for TF or TS	4	6078501	
55	Nut		8	9093439	
56	Spring washer		8	9012715	
57	Drop Stop		4	60818	
58	Socket bolt		8	9093196	
59	Nut		4	9093424	
60	Spring washer		4	9012711	
61	Bumper	4	MR1FS9631		

\*See owner's manual for placement of thick and thin spacers.

## 8.6 TF/TS Push/Geared Trolley Parts for ER2 Hoist – 8 to 10 Ton



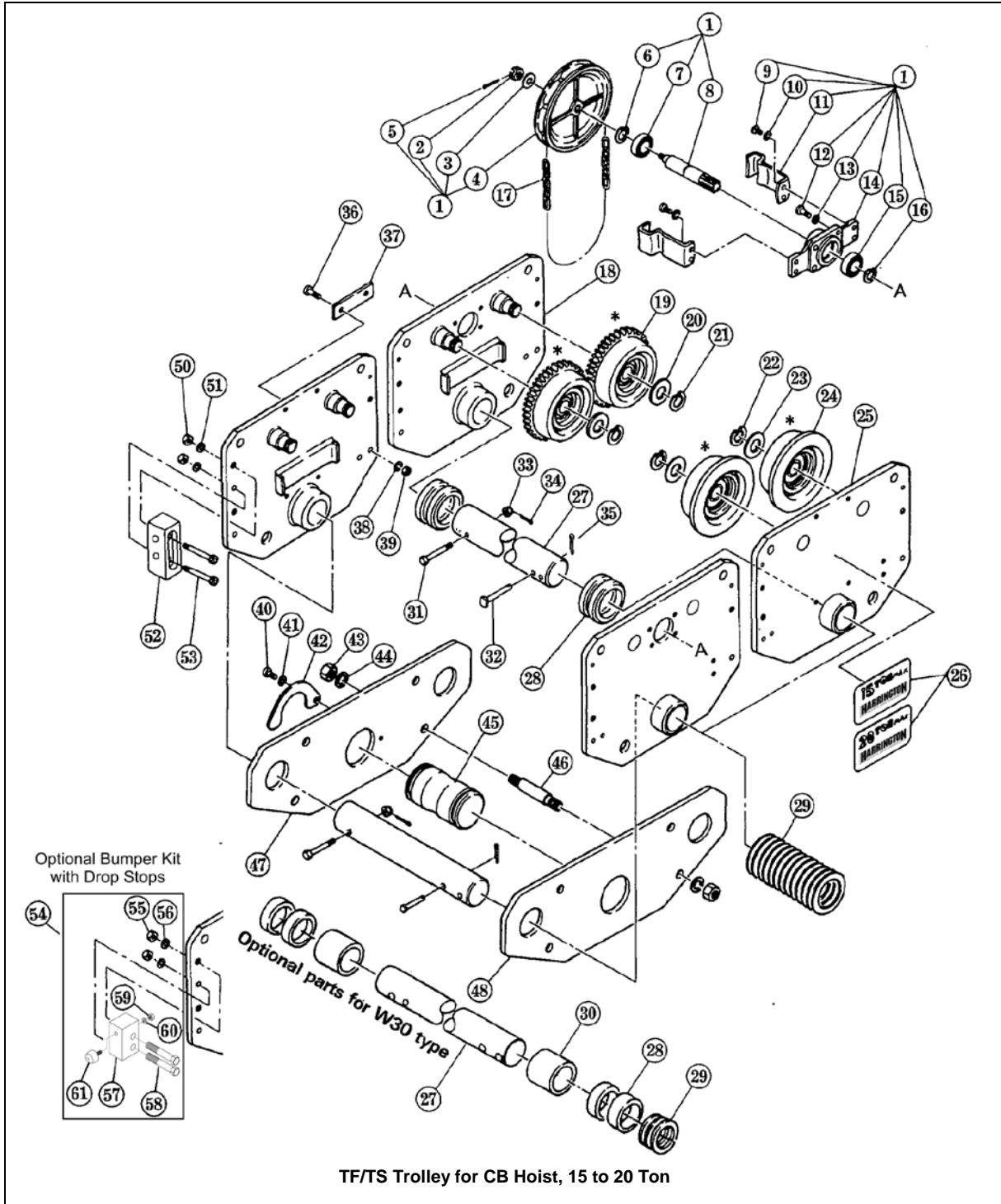
## 8.6 TF/TS Push/Geared Trolley Parts for ER2 Hoist – 8 to 10 Ton

Figure No.	Part Name	Parts Per Trolley		8 Ton	10 Ton
1	Hand wheel Assembly	Geared	1	T3G123ASM075	
	2		1	T3P154050	
	3		1	9012515	
	4		1	T3G123ASM075	
	5		1	9009423	
	6		2	9047130	
	7		2	9000506	
	8		1	T3GB1009121	
	9		4	9091272	
	10		4	9012711	
	11		2	T3G125075	
	12		4	9091295	
	13		4	9012712	
	14		1	T3B1009122	
	15		2	9000506	
			16	2	9047130
17	Hand chain	1	HCCF005		
18	Side plate G Assembly	1	T3G5111075		
19	Track wheel G Assembly	2	T3G1101075		
20	Washer	4	MS104075		
21	Snap ring	4	9047140		
22	Snap ring	4	9047140		
23	Washer	4	MS104075		
24	Track wheel S assembly	2	T3G1102075		
25	Side plate S assembly	1	T3G51110075		
26	Name plate B	Push	1	T3P800080	T3P800100
		Geared		T3G800080	T3G801100
27	Suspension Shaft	Std.	1	MS115075	
		Wide		MSF181075	
28	Thick spacer*	8	MS117075		
29	Thin spacer*	Std.	8	MS116075	
		Wide	9		
30	Fixing spacer	Wide	2	M6SE100S9182	
31	Bolt	1	MS161100		
32	Shaft stopper pin	1	MS164075		
33	Slotted nut	1	T3G154075		
34	Split pin	1	9009436		
35	Split pin	1	9009436		
36	Split pin, Trolley Fixing Shaft**	2			
37	Trolley Fixing Shaft**	1			
38	Hoist Suspension Plates**	2			
50	Nut	TS	8	9093439	
51	Spring washer	(Not compatible with bumpers)	8	9012715	
52	Drop Stop		4	T5AB0759141	
53	Socket bolt		8	90912156	
54	Bumper kit	Optional for TF or TS	4	6078501	
55	Nut		4	9093439	
56	Spring washer		8	9012715	
57	Drop Stop		8	60818	
58	Socket bolt		4	9093196	
59	Nut		8	9093424	
60	Spring washer		4	9012711	
61	Bumper		4	MR1FS9631	

\*See owner's manual for placement of thick and thin spacers.

\*\*These parts come with the hoist and are not included with the trolley

## 8.7 TF/TS Geared Trolley Parts for CB Hoist – 15 to 20 Ton



### 8.7 TF/TS Geared Trolley Parts for CB Hoist – 15 to 20 Ton

Figure No.	Part Name	Parts Per Trolley		15 Ton	20 Ton
1	Hand wheel Assembly	Geared	2	T3G123AM075	
	2		2	T3G154050	
	3		2	9012515	
	4		2	T3G123075	
	5		2	9009423	
	6		4	9047130	
	7		4	9000506	
	8		2	T3G127100	
	9		8	9091272	
	10		8	9012711	
	11		4	T3G125075	
	12		8	9091295	
	13		8	9012712	
	14		2	T3G128100	
	15		4	9000506	
	16		4	9047130	
17	Hand chain	2	HCCF005		
18	Side plate G Assembly	2	T3G5111075		
19	Track wheel G Assembly	4	T3G1101075		
20	Washer	8	MS104075		
21	Snap ring	8	9047140		
22	Snap ring	8	9047140		
23	Washer	8	MS104075		
24	Track wheel S assembly	4	T3G1102075		
25	Side plate S assembly	2	T3G5110075		
26	Name plate B	2	T3G801150	T3G801200	
27	Suspension Shaft	Std.	2	MS115075	
		Wide		MSF181075	
28	Thick spacer*	Std.	6	MS117075	
		Wide			
29	Thin spacer*	Std.	20**	MS116075	
		Wide			
31	Bolt	2	MS161100		
32	Shaft stopper pin	2	MS164075		
33	Slotted nut	2	T3G154075		
34	Split pin	2	9009436		
35	Split pin	2	9009436		

\*See owner's manual for placement of thick and thin spacers.

\*\*For flange widths between 5 ½ to 5 ⅝ , six (6) additional thin spacers are required (for a total of 26 thin spacers).

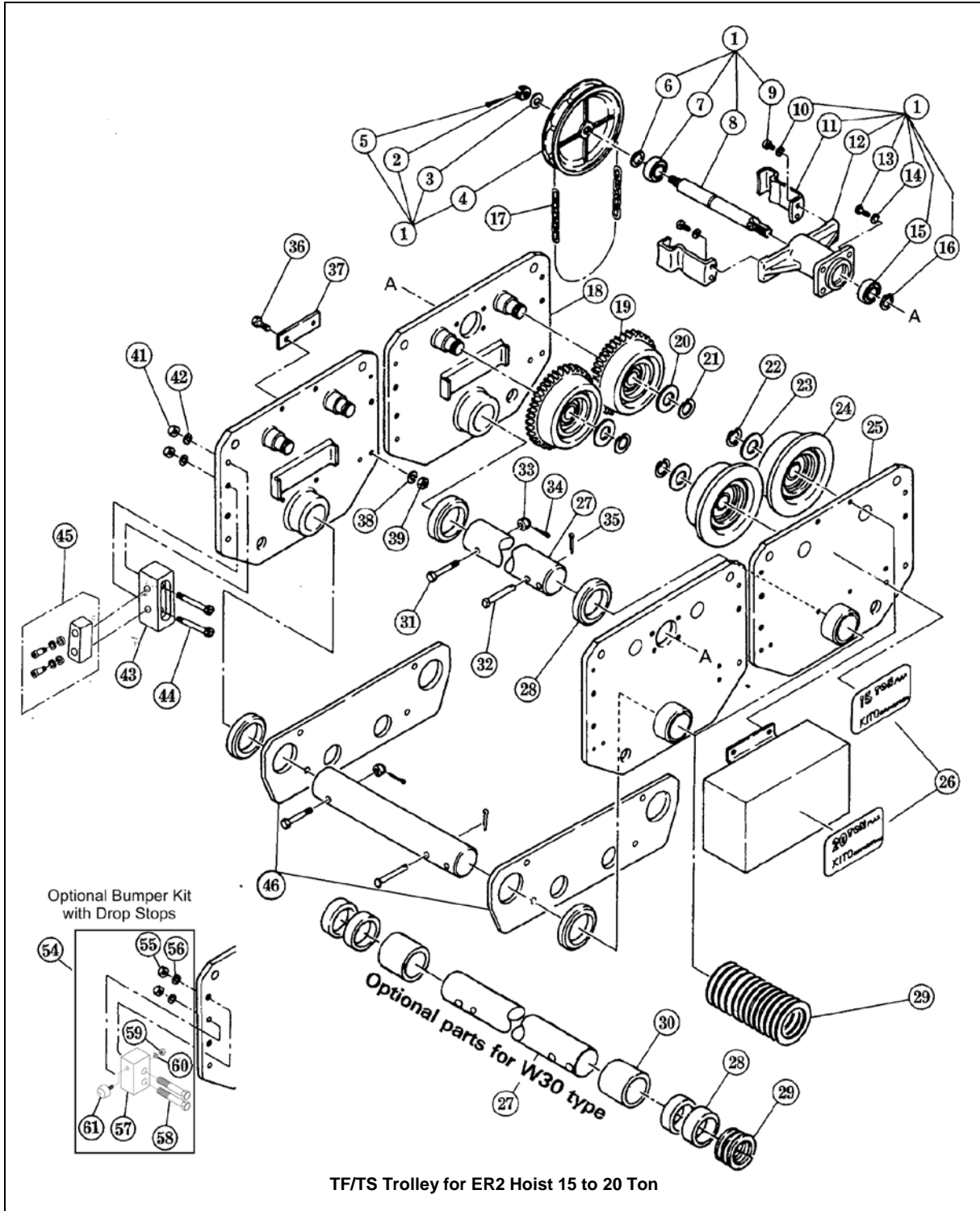


### 8.7 TF/TS Geared Trolley Parts for CB Hoist – 15 to 20 Ton

Figure No.	Part Name	Parts Per Trolley	15 Ton	20 Ton
36	Bolt	4	MS106150	
37	Connection plate	2	MS105150	
38	Spring washer	4	9012713	
39	nut	4	9093433	
40	Bolt	1	9093327	
41	Spring washer	1	9012711	
42	Key plate	1	T3G145150	
43	Nut	8	9093445	
44	Spring washer	8	9012717	
45	Suspension shaft	1	T3G144150	
46	Stay bolt	4	T3G143150	
47	Suspension plate A	1	T3G141200	
48	Suspension plate B	1	T3G142150	
50	Nut	TS (Not compatible with bumpers)	8	9093439
51	Spring washer		8	9012715
52	Drop Stop		4	T5AB0759141
53	Socket bolt		8	90912156
54	Bumper Kit	Optional for TF or TS	4	6078501
55	Nut		4	9093439
56	Spring washer		4	9012715
57	Drop Stop		8	60818
58	Socket bolt		8	9093196
59	Nut		4	9093424
60	Spring washer		8	9012711
61	Bumper		4	MR1FS9631

**This Page Intentionally Left Blank**

## 8.8 TF/TS Geared Trolley Parts for ER2 Hoist – 15 to 20 Ton



## 8.8 TF/TS Geared Trolley Parts for ER2 Hoist – 15 to 20 Ton

Figure No.	Part Name	Parts Per Trolley	15 Ton	20 Ton
1	Hand wheel Assembly	Geared	2	T3G123ASM075
	2 Slotted nut		2	T3G154050
	3 Washer		2	9012515
	4 Hand wheel		2	T3G123075
	5 Split Pin		2	9009423
	6 Snap ring		4	9047130
	7 Ball bearing		4	9000506
	8 Pinion		2	T3GB1009121
	9 Socket bolt		8	9091272
	10 Spring washer		8	9012711
	11 Hand chain guide		4	T3G125075
	12 Pinion holder		2	T3GB1009122
	13 Socket bolt		8	9091295
	14 Spring washer		8	9012712
	15 Ball bearing		4	9000506
	16 Snap ring		4	9047130
17	Hand chain	2	HCCF005	
18	Side plate G Assembly	2	T3G5111	
19	Track wheel G Assembly	4	T3G1101075	
20	Washer	8	MS104075	
21	Snap ring	8	9047140	
22	Snap ring	8	9047140	
23	Washer	8	MS104075	
24	Track wheel S assembly	4	T3G1102075	
25	Side plate S assembly	2	T3G5110075	
26	Name plate B	2	T3G801150	T3G801200
27	Suspension Shaft	Std.	2	MS115075
		Wide		MSF181075
28	Thick spacer*	Std.	6	MS117075
		Wide		
29	Thin spacer*	Std.	20**	MS116075
		Wide		
31	Bolt	2	MS161100	
32	Shaft stopper pin	2	MS164075	
33	Slotted nut	2	T3G154075	
34	Split pin	2	9009436	
35	Split pin	2	9009436	
36	Bolt	4	MS106150	
37	Connection plate	2	MS105150	
38	Spring washer	4	9012713	
39	Nut	4	9093433	
41	Nut	TS (Not compatible with bumpers)	8	9093439
42	Spring washer		8	9012715
43	Bumper		4	T5AB0759141
44	Socket bolt		8	90912156
46	Hoist Suspension Plates <sup>†</sup>			
54	Bumper Kit	Optional for TF or TS	4	6078501
	55 Nut		4	9093439
	56 Spring washer		4	9012715
	57 Drop Stop		8	60818
	58 Socket bolt		8	9093196
	59 Nut		4	9093424
	60 Spring washer		8	9012711
61	Bumper	4	MR1FS9631	

\*See owner's manual for placement of thick and thin spacers.

\*\*For flange widths between 5 ½ to 5 ⅝, six (6) additional thin spacers are required (for a total of 26 thin spacers).

<sup>†</sup>Hoist Suspension Plates come with the hoist and are not included with the trolley.



[www.harringtonhoists.com](http://www.harringtonhoists.com)

Harrington Hoists, Inc.  
401 West End Avenue  
Manheim, PA 17545-1703  
Phone: 717-665-2000  
Toll Free: 800-233-3010  
Fax: 717-665-2861

Harrington Hoists – Western Division  
2341 Pomona Rd. #103  
Corona, CA 92880-6973  
Phone: 951-279-7100  
Toll Free: 800-317-7111  
Fax: 951-279-7500

**TF2TS2OM**