

SECTION 6

Panasonic Broadcast

AW-E860 Mechanical Parts

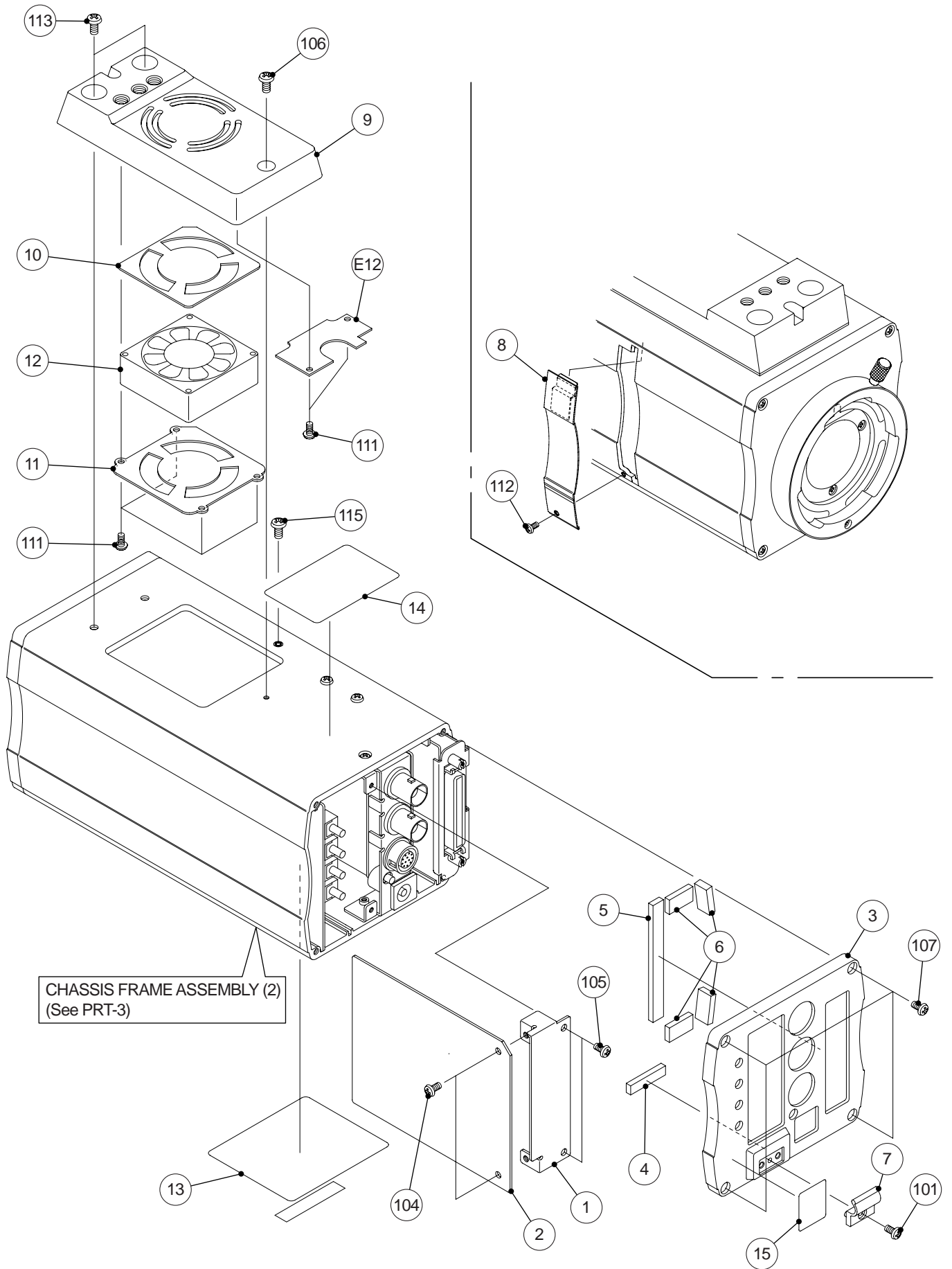
Note:

1. *Be sure to make your orders of replacement parts according to this list.
2. Unless otherwise specified, all resistors are in OHMS, K=1,000 OHMS, all capacitors are in MICROFARADS (μF), P= $\mu\mu\text{F}$.
3. The P.C. Board unit marked with "■" shown below the main assembled parts.
4. The parts marked with $\text{\textcircled{E}}$ on the exploded view show the electric parts.
5. IMPORTANT SAFETY NOTICE
Components identified with the mark Δ have the special characteristics for safety. When replacing any of these components, use only the same type.
6. The marking (RTL) indicates the retention time is limited for this item.
After the discontinuation of this assembly in production, it will no longer be available.
7. "M" in Remark column indicates needed in the periodical maintenance.

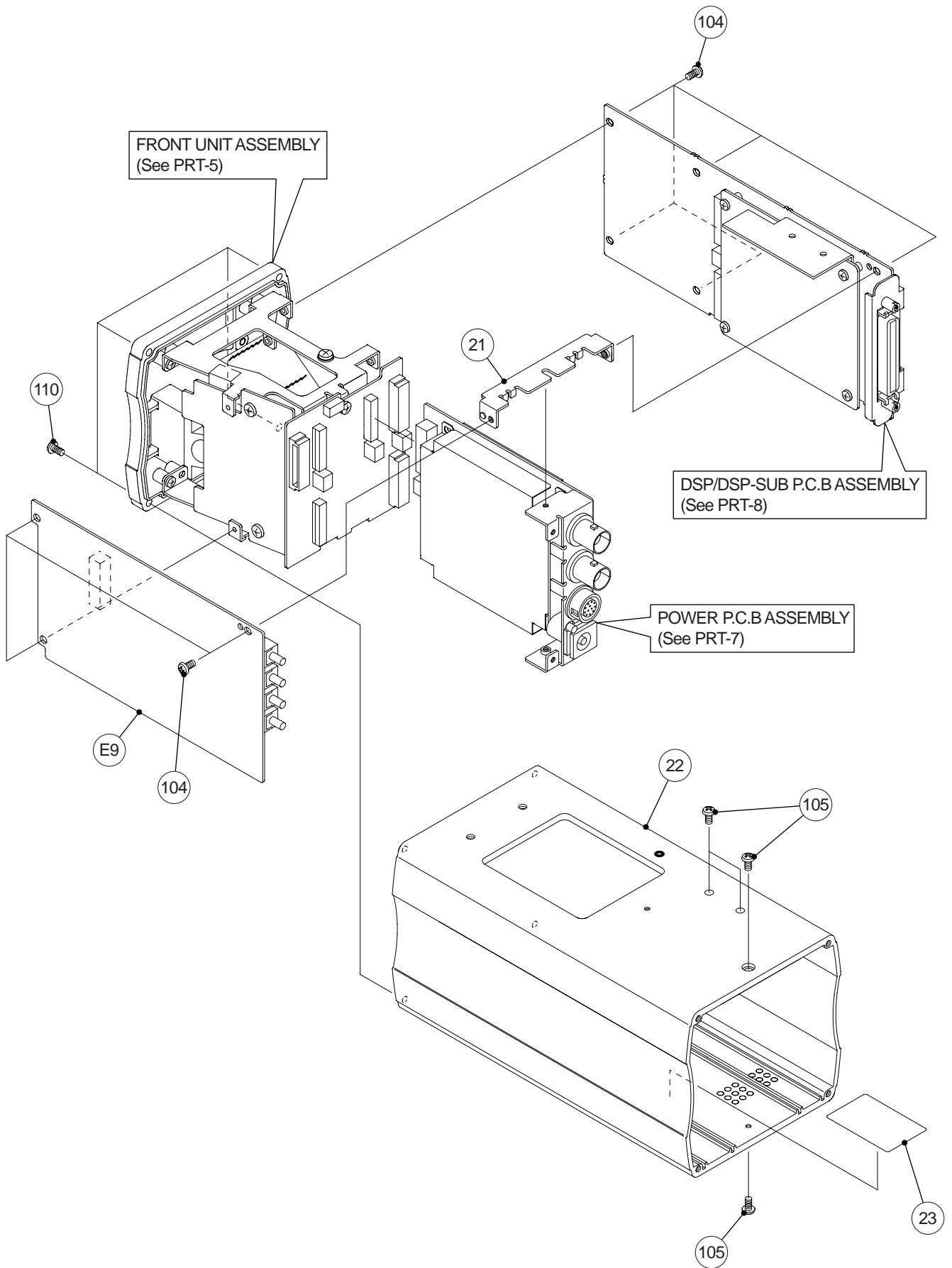
CONTENTS

CHASSIS FRAME ASSEMBLY (1)	PRT-1
CHASSIS FRAME ASSEMBLY (2)	PRT-3
FRONT UNIT ASSEMBLY	PRT-5
POWER P.C.B ASSEMBLY	PRT-7
DSP / DSP-SUB P.C.B ASSEMBLY	PRT-8
PACKAGING PARTS ASSEMBLY	PRT-9

CHASSIS FRAME ASSEMBLY (1)



CHASSIS FRAME ASSEMBLY (2)



FRONT UNIT ASSEMBLY

