

Panasonic Broadcast Mechanical Parts List

Model No. : **AG-HPX500P/E/MC, AG-HPX502EN**

Note:

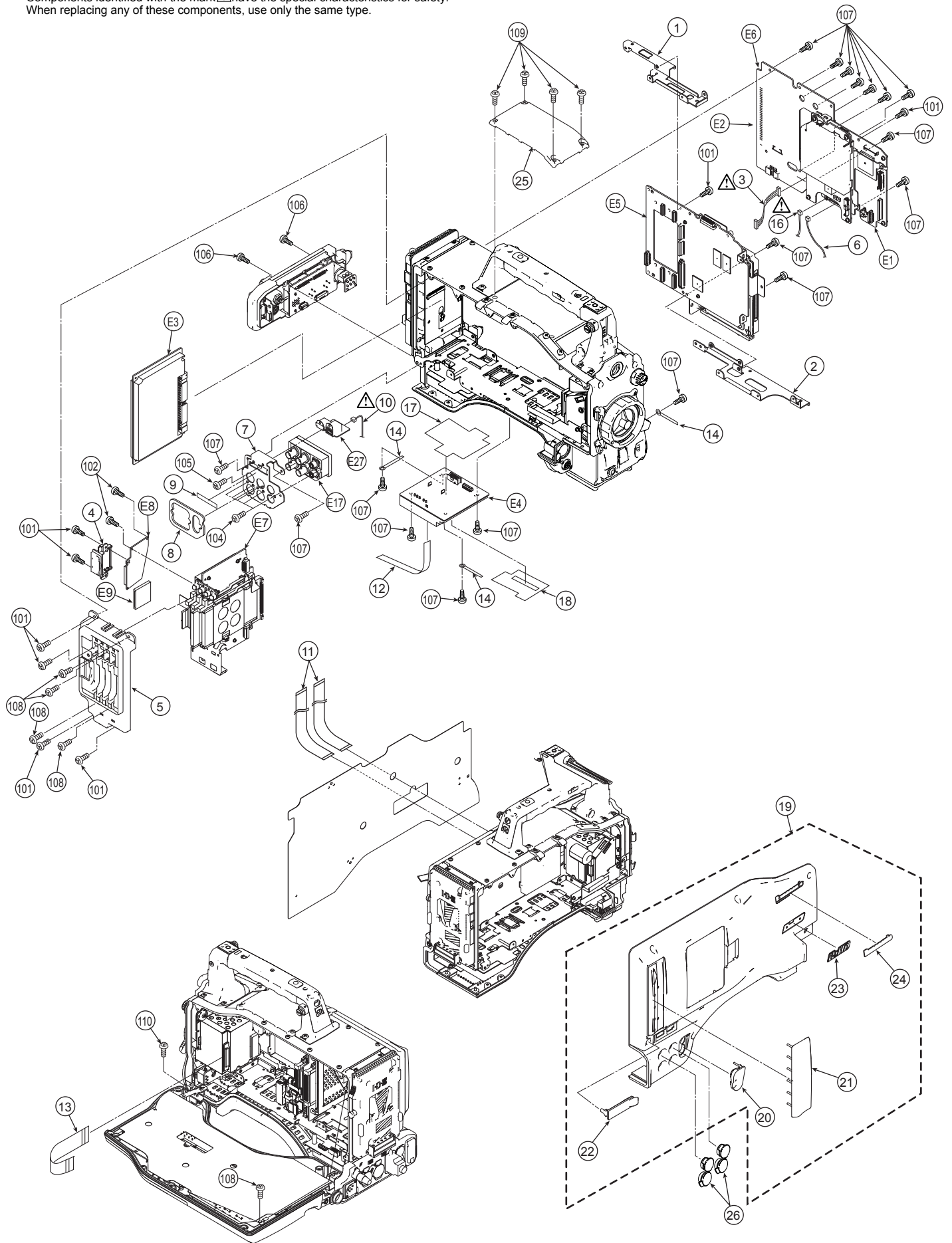
1. *Be sure to make your orders of replacement parts according to this list.
2. Unless otherwise specified, all resistors are in OHMS, K=1,000 OHMS, all capacitors are in MICROFARADS (μF), P= μF .
3. The P.C. Board unit marked with "■" shown below the main assembled parts.
4. The parts marked with Ⓔ on the exploded view show the electric parts.
5. **IMPORTANT SAFETY NOTICE**
Components identified with the mark \triangle have the special characteristics for safety. When replacing any of these components, use only the same type.
6. The marking (RTL) indicates the retention time is limited for this item.
After the discontinuation of this assembly in production, it will no longer be available.
7. "M" in Remark column indicates needed in the periodical maintenance.

CONTENTS

CASING & FRAME PARTS ASSEMBLY (1)	MPL-1
CASING & FRAME PARTS ASSEMBLY (2)	MPL-3
SIDE CASE (R) PARTS ASSEMBLY.....	MPL-5
CAMERA PARTS ASSEMBLY (1).....	MPL-7
CAMERA PARTS ASSEMBLY (2).....	MPL-9
TOP CASE & HANDLE PARTS ASSEMBLY	MPL-11
REAR JACK PARTS ASSEMBLY.....	MPL-13
BACK CASE PARTS ASSEMBLY	MPL-15
LCD PARTS ASSEMBLY	MPL-17
VF PARTS ASSEMBLY	MPL-19
PACKING PARTS ASSEMBLY.....	MPL-21

CASING & FRAME PARTS ASSEMBLY (1)

Components identified with the mark \triangle have the special characteristics for safety. When replacing any of these components, use only the same type.




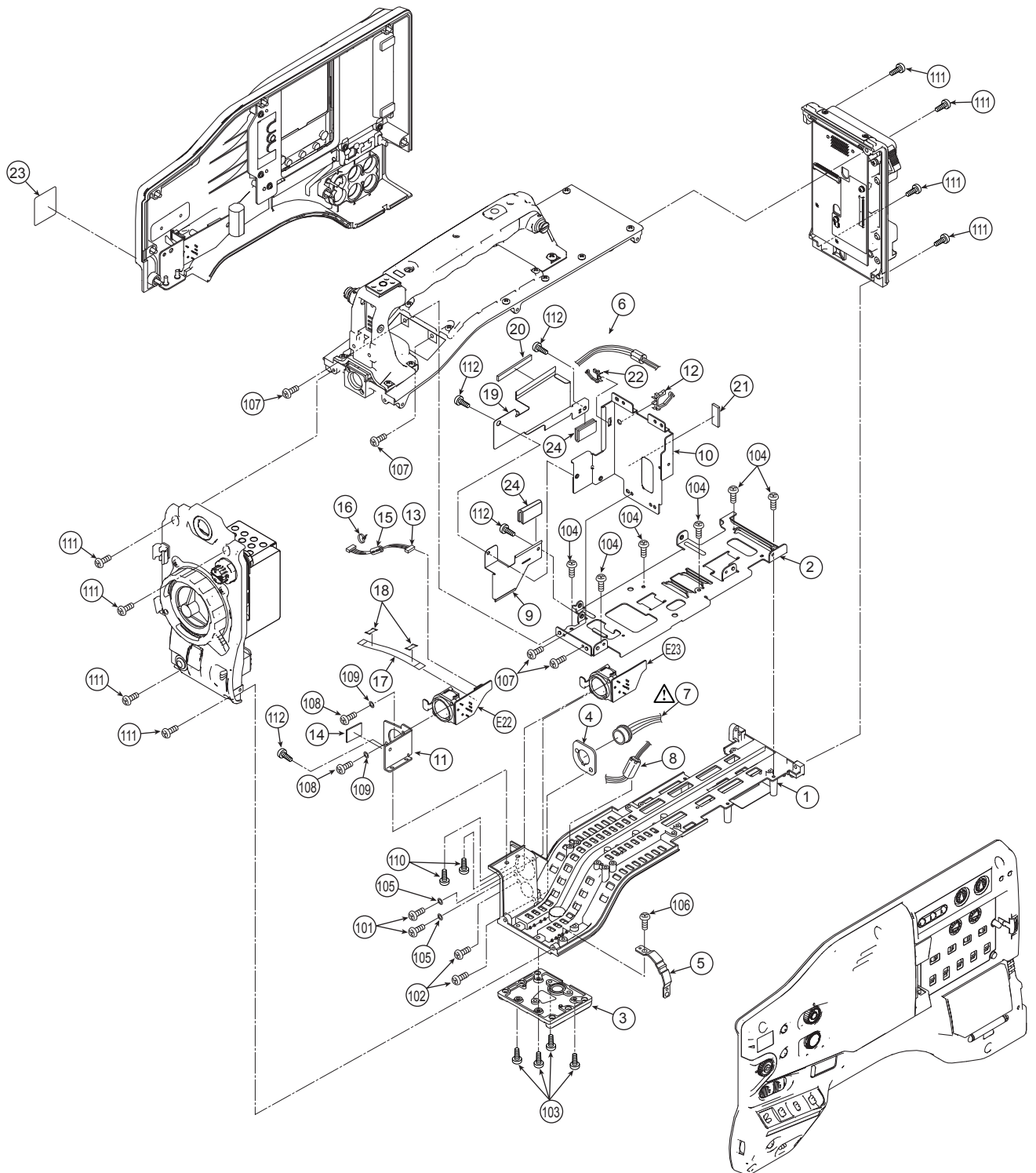
CASING & FRAME PARTS ASSEMBLY (1)

Components identified with the mark Δ have the special characteristics for safety. When replacing any of these components, use only the same type.


Ref.No.	Part No.	Part Name & Description	Pcs	Remarks	Ref.No.	Part No.	Part Name & Description	Pcs	Remarks
1	VMP8838	INNER FRAME TOP	1						
2	VMP8839	INNER FRAME BOTTOM	1						
Δ 3	VEE1D61	L SIDE JACK CABLE	1						
4	VGO9428	SD CARD GUIDE	1						
5	VYK2D61	CARD GUIDE U	1						
6	K1TYYYY00040	COAXIAL CABLE	1						
7	VMP8842	SIDE BNC ANGLE	1						
8	VMT1820	SIDE BNC CUSHION	1						
9	VMT1858	SOFT HIGH SHIELD GASKET	1						
Δ 10	VEE1D76	USB CABLE	1						
11	VWJ40H2210LO	FFC	2						
12	VWJ30G6060LO	FFC	1						
13	VWJ00H9	FFC	1						
14	VJF1535	COATING CLIP	3						
Δ 16	VEE1D60	REAR JACK CABLE	1						
17	VMZ3735	POWER SUB COVER 1	1						
18	VMZ3736	POWER SUB COVER 2	1						
19	VYP9230	SIDE CASE L U	1						
20	VMG1793	USB CAP	1						
21	VMG1796	GUARD	1						
22	VMG1802	RCA CAP	1						
23	VGB0677	P2HD BADGE	1						
24	VGB0625	PANA BADGE	1						
25	VGf1076	TOP COVER	1						
26	VMG1794	BNC CAP	2						
101	XYN26+J6FJ	SCREW	8						
102	XYN2+J6FJ	SCREW	2						
104	XTB3+12GFJK	SCREW	5						
105	XSB3+6FJK	SCREW	1						
106	XSB3+16FJK	SCREW	2						
107	XYN26+J6FJ	SCREW	18						
108	XYN2+J6FJK	SCREW	5						
109	XSB3+8FJK	SCREW	4						
110	VHD1774	SCREW	1						
E1	VEP23669A	CAMERA P. C. BOARD	1						
E2	VEP01989A	CAMERA POWER P. C. BOARD	1						
E3	VEP01988A	POWER MAIN P. C. BOARD	1						
E4	VEP01990A	POWER SUB P. C. BOARD	1						
E5	VEP03H11A	CODEC MOTHER P. C. BOARD	1						
E6	VEP04919A	AUDIO MOTHER P. C. BOARD	1						
E7	VEP03H12A	P2 CARD A P. C. BOARD	1						
E8	VEP03H12B	P2 CARD B P. C. BOARD	1						
E9	VEP001S3A	SD CARD P. C. BOARD	1						
E17	VEP04920A	L SIDE JACK P. C. BOARD	1						
E27	VEP001S2A	USB CN P. C. BOARD	1						

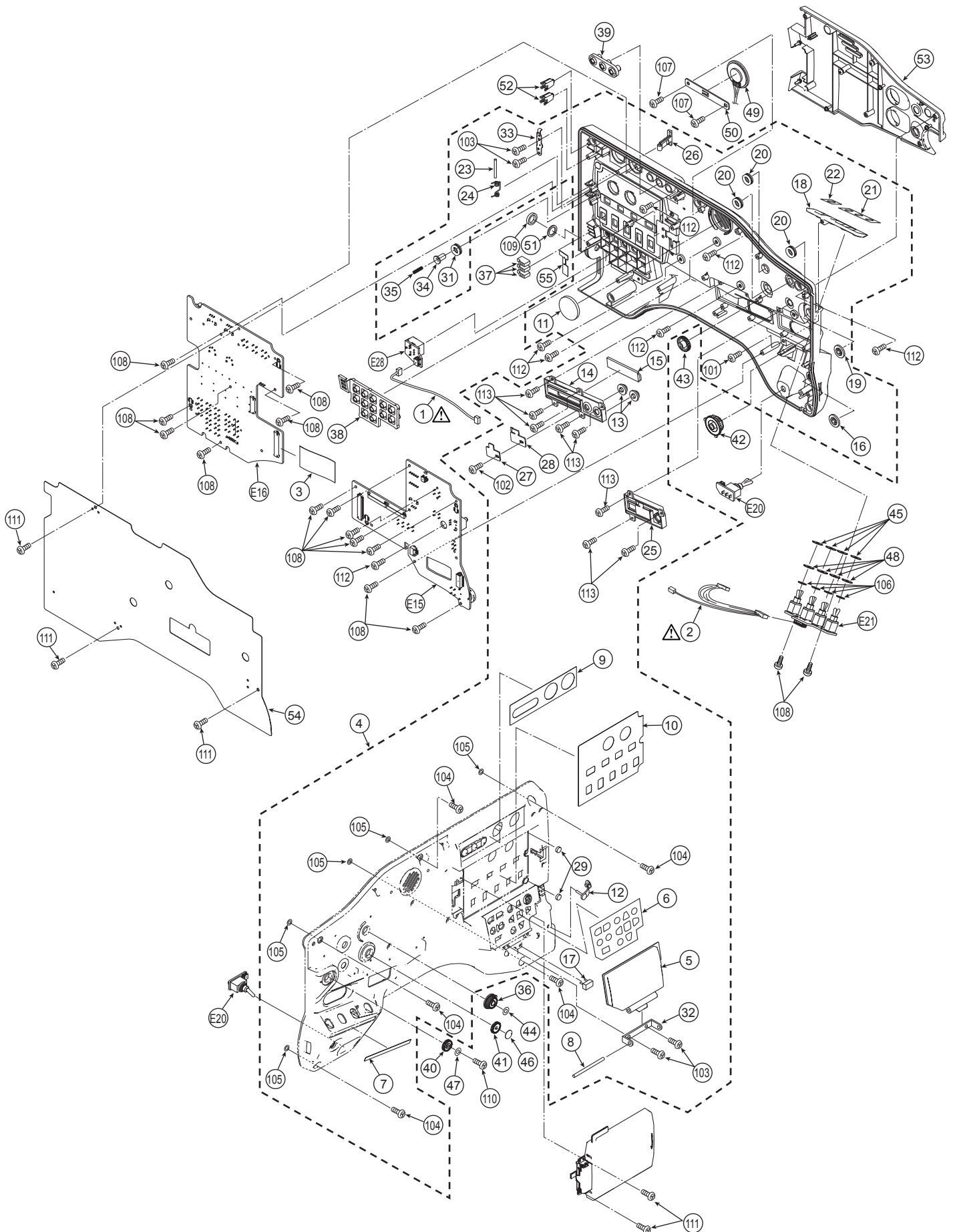
CASING & FRAME PARTS ASSEMBLY (2)

Components identified with the mark  have the special characteristics for safety. When replacing any of these components, use only the same type.



SIDE CASE (R) PARTS ASSEMBLY

Components identified with the mark  have the special characteristics for safety. When replacing any of these components, use only the same type.




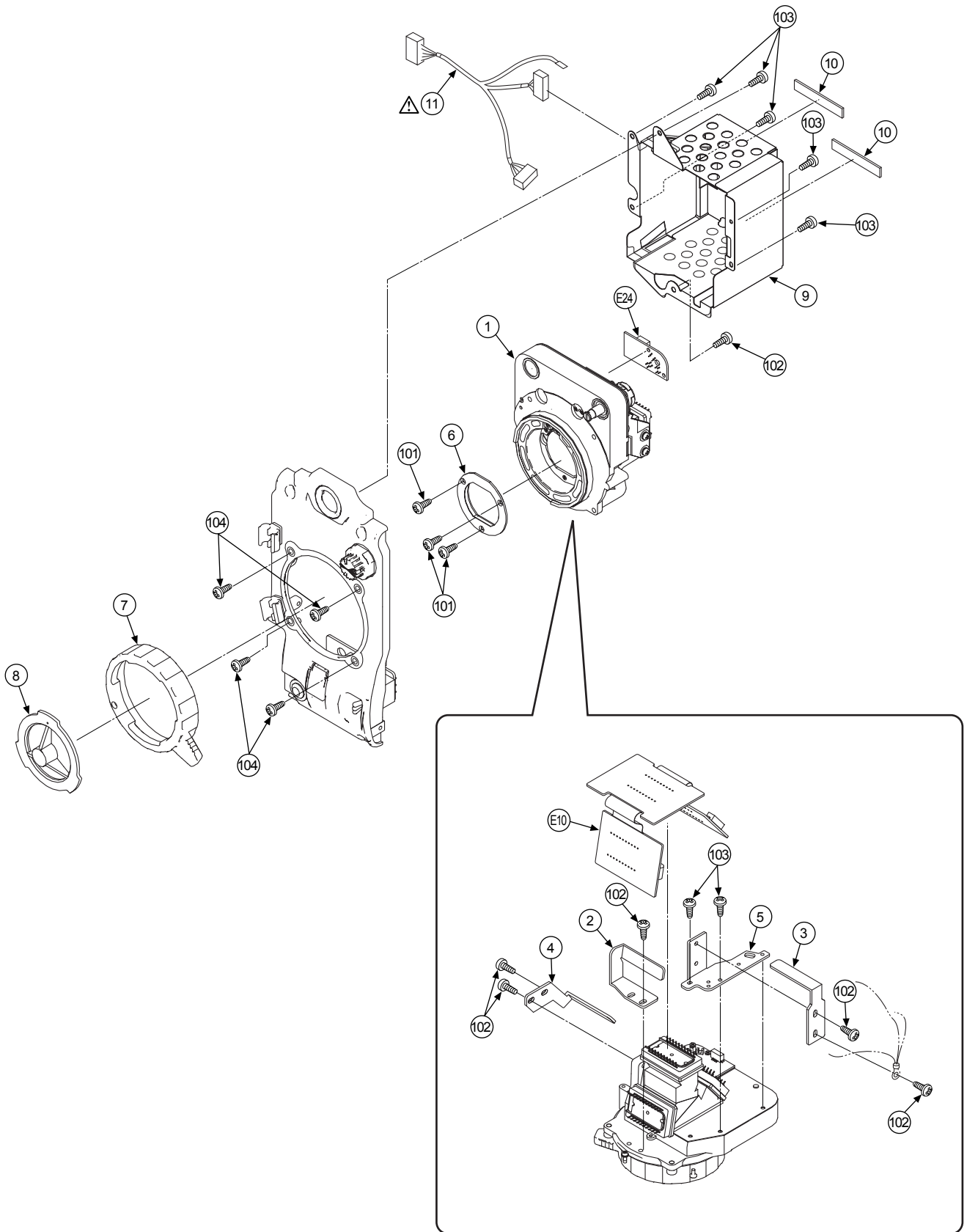
SIDE CASE (R) PARTS ASSEMBLY

Components identified with the mark Δ have the special characteristics for safety. When replacing any of these components, use only the same type.


Ref.No.	Part No.	Part Name & Description	Pcs	Remarks	Ref.No.	Part No.	Part Name & Description	Pcs	Remarks
Δ 1	VEE1D62	HEADPHONE CABLE	1		E16	VEP001R4A	R SIDE 2 P. C. BOARD	1	
Δ 2	VEE1D63	R SIDE1 CABLE	1		E20	VEP001R5A	POWER SW P. C. BOARD	1	
3	VWJ50G6045L0	PREPRO OUT DAT	1		E21	VEP001R6A	TOGGLE SW P. C. BOARD	1	
4	VYP9233	SIDE CASE R 1 U	1		E28	VEP04923A	PHONE CN P. C. BOARD	1	
5	VYF3154	CONTROL DOOR U	1						
6	VGH4949	CONTROL PANEL	1						
7	VGH4951	INDICATER PLATE A	1						
8	VMS7832	SHAFT	1						
9	VGH4952	INDICATER PLATE B	1						
10	VGH4953	INDICATER PLATE C	1						
11	VKN0185	SPEAKER NET	1						
12	VMG1638	PHONE JACK COVER	1						
13	VGU9660	USER RUBBER BUTTON	2						
14	VGP6075	CONTROL PANEL	1						
15	VKF3918	SLIDE DOOR	1						
16	VGU0B46	MENU BUTTON	1						
17	VMG1506	DOOR CUSHION	1						
18	VGK3031	TOGGLE SW PLATE	1						
19	VGU9695	RUBBER BUTTON (B)	1						
20	VMG1096	VR RAIN COVER PACKING	3						
21	VMZ0624	BONDING TAPE A	1						
22	VZT0625	BONDING TAPE B	1						
23	VMS7187	LCD LOCK SHAFT	1						
24	VMB3659	MONITOR OPENER SPRING	1						
25	VYF2895	OPERATION PANEL (B)U	1						
26	VGU9675	MONITOR LOCK KNOB	1						
27	VMC1837	SLIDE PLATE SPRING	1						
28	VMP8366	GUIDE PLATE	1						
29	VMG1804	LCD RUBBER	2						
31	VG08202	MONITOR POP UP	1						
32	VMP8096	DOOR STAND ANGLE	1						
33	VMP7331	OPENER HOLDER ANGLE	1						
34	VMS7294	POP UP PIN	1						
35	VMB3996	POP UP SPRING	1						
36	VGU0B30	MODE SW KNOB	1						
37	VG09489	PANEL LIGHT B	3						
38	VGU0B26	RUBBER BUTTON A	1						
39	VGU0B27	RUBBER BUTTON B	1						
40	VGU9301	VR KNOB FRONT	1						
41	VGU9303	VR KNOB	1						
42	VGU9304	OPERATION RUBBER BUTTON	1						
43	VGU8993	OPERATION BUTTON	1						
44	VGH4633	MODE SELECT NAME PLATE	1						
45	VMG0646	WATERPROOF SW INSULATION SH	4						
46	VGH4680	VR NAME PLATE	1						
47	VGH4948	VF LABEL	1						
48	VMT1494	WATERPROOF CUSHION	4						
49	VEK0L21	SPEAKER U	1						
50	VMP7351	SPEAKER HOLD ANGLE	1						
51	VMX0531	CLATCH SPACER	1						
52	VGL1228	LED PANEL LIGHT	2						
53	VYQ4079	FACE PAD U	1						
54	VMZ3704	SIDE R BARRIER	1						
55	VMZ3692	LCD FFC SHEET	1						
101	XTN3+6GFJ	SCREW	1						
102	XQN2+BJ4FJK	SCREW	1						
103	XYN2+C4FJ	SCREW	4						
104	XSB3+10FJK	SCREW	5						
105	VMX3348	WASHER	5						
106	VMX1312	POLY WASHER	4						
107	XYN3+C5FJ	SCREW	2						
108	XYN2+J6FJ	SCREW	15						
109	VHN0382	NYLON NUT	1						
110	XQN2+A2FJK	SCREW	1						
111	XYN2+J6FJ	SCREW	5						
112	XTB26+6GFJK	SCREW	7						
113	XYN2+F5FJ	SCREW	8						
E15	VEP001TOA	R SIDE 1 P. C. BOARD	1						

CAMERA PARTS ASSEMBLY(1)

Components identified with the mark  have the special characteristics for safety. When replacing any of these components, use only the same type.




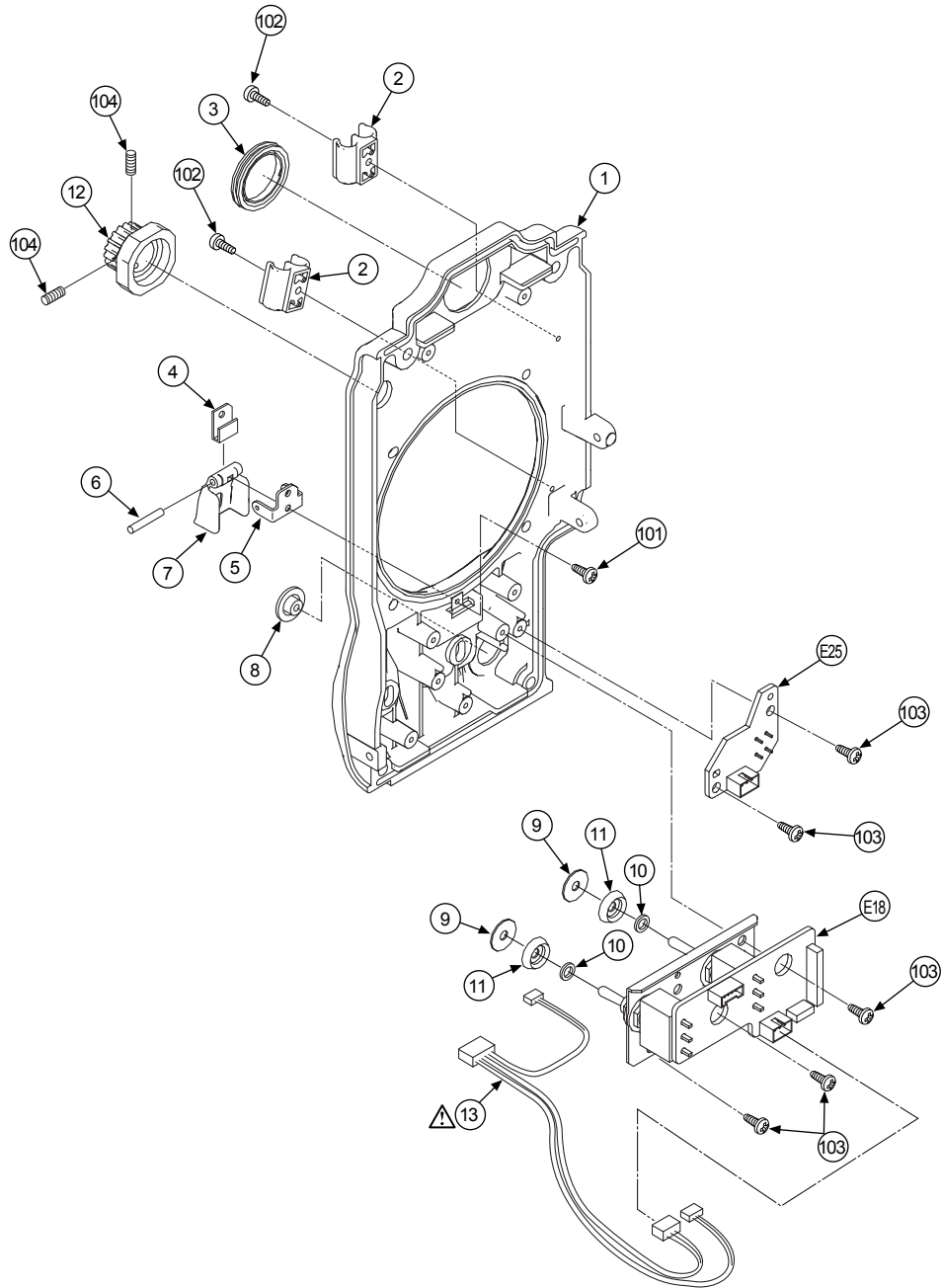
CAMERA PARTS ASSEMBLY (1)

Components identified with the mark  have the special characteristics for safety. When replacing any of these components, use only the same type.

Ref.No.	Part No.	Part Name & Description	Pcs	Remarks	Ref.No.	Part No.	Part Name & Description	Pcs	Remarks
1	VYQ4076	HEAD OPTICAL U	1						
2	VMAOV43	HEAT SINK R	1						
3	VMAOV44	HEAT SINK G	1						
4	VMAOV45	HEAT SINK B	1						
5	VMAOV41	HEAT SINK BASE	1						
6	VXQ1523	L. P. FILTER U	1						
7	VDW1228	LENS MOUNT RING	1						
8	VKF2997	CAP	1						
9	VSC5996	OPTICAL SHIELD	1						
10	VMT1861	SOFT HIGH SHIELD GASKET	2						
 11	VEE1D66	CABLE	1						
101	XQS2+A4FJK	SCREW	3						
102	XYN26+F6FJ	SCREW	6						
103	XYN2+J5FJ	SCREW	7						
104	XSB3+6FJK	SCREW	4						
E10	VEP22379A	CCD FLEX P. C. BOARD	1						
E24	VEP80D27A	POSITION SENSOR P. C. BOARD	1						

CAMERA PARTS ASSEMBLY (2)

Components identified with the mark  have the special characteristics for safety. When replacing any of these components, use only the same type.




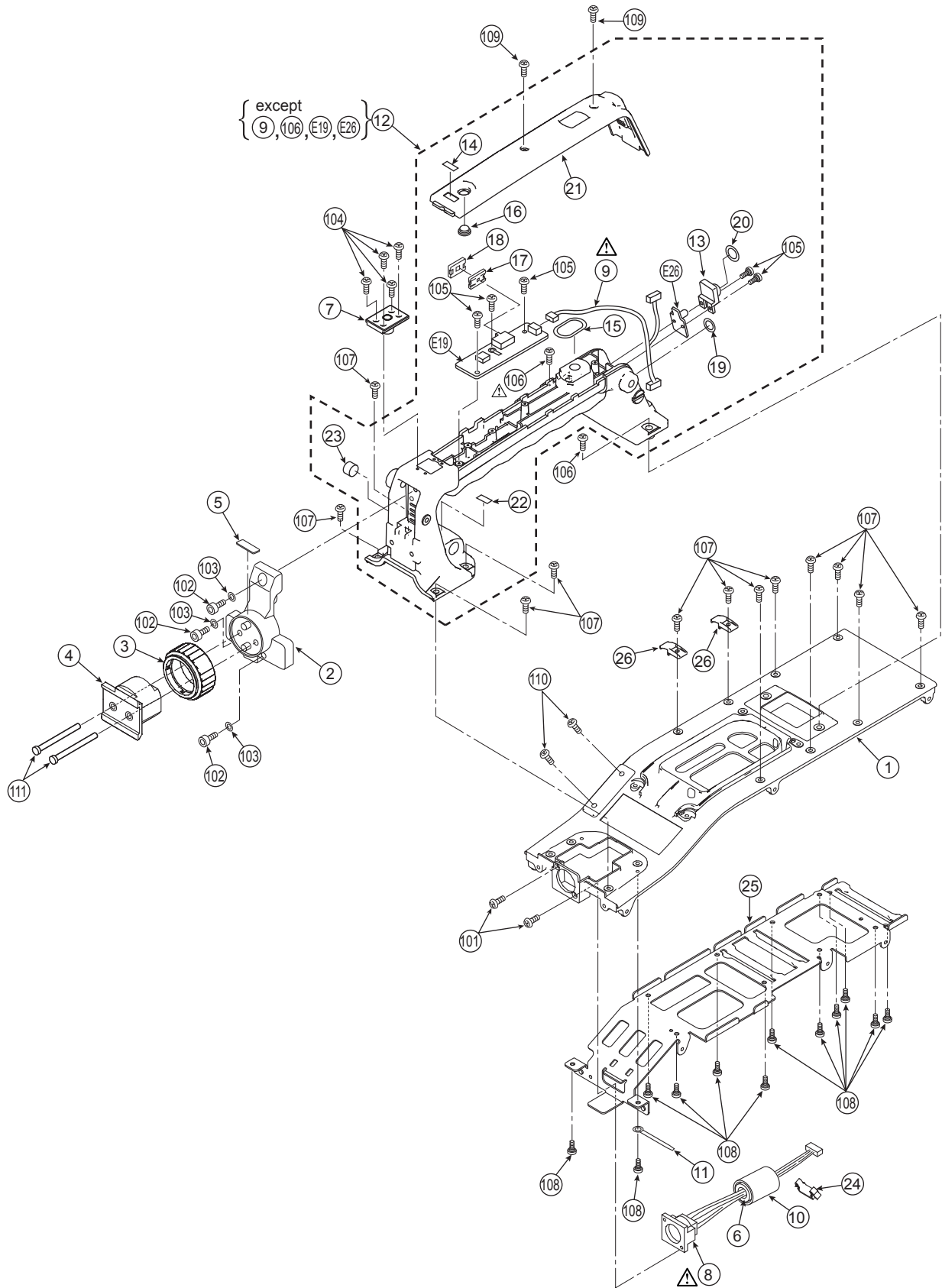
CAMERA PARTS ASSEMBLY (2)

Components identified with the mark Δ have the special characteristics for safety. When replacing any of these components, use only the same type.

Ref.No.	Part No.	Part Name & Description	Pcs	Remarks	Ref.No.	Part No.	Part Name & Description	Pcs	Remarks
1	VYK2D52	FRONT CASE 1 U	1						
2	VJF1256	CABLE CLAMPER	2						
3	VMG0948	EVF RUBBER SHIELD	1						
4	VMG1210	FRONT DOOR SPRING	1						
5	VMP4850	FRONT DOOR ANGLE	1						
6	VMS4088	FRONT DOOR ANGLE PIN	1						
7	VKF2485	FRONT DOOR	1						
8	VXU1620	RUBBER BUTTON ASS'Y	1						
9	VMG1140	RAIN COVER SPONGE	2						
10	VMX1312	POLY WASHER	2						
11	VMT1432	WATERPROOF CUSHION	2						
12	VGU9860	FILTER KNOB	1						
Δ 13	VEE1D64	CABLE	1						
101	XYN2+C4FJ	SCREW	1						
102	XSB2+4FJK	SCREW	2						
103	XYN2+J6FJ	SCREW	5						
104	XXE26W3FP	HEX SCREW	2						
E18	VEP001R9A	FRONT SW P. C. BOARD	1						
E25	VEP001SOA	REC BUTTON P. C. BOARD	1						

TOP CASE & HANDLE PARTS ASSEMBLY

Components identified with the mark  have the special characteristics for safety. When replacing any of these components, use only the same type.




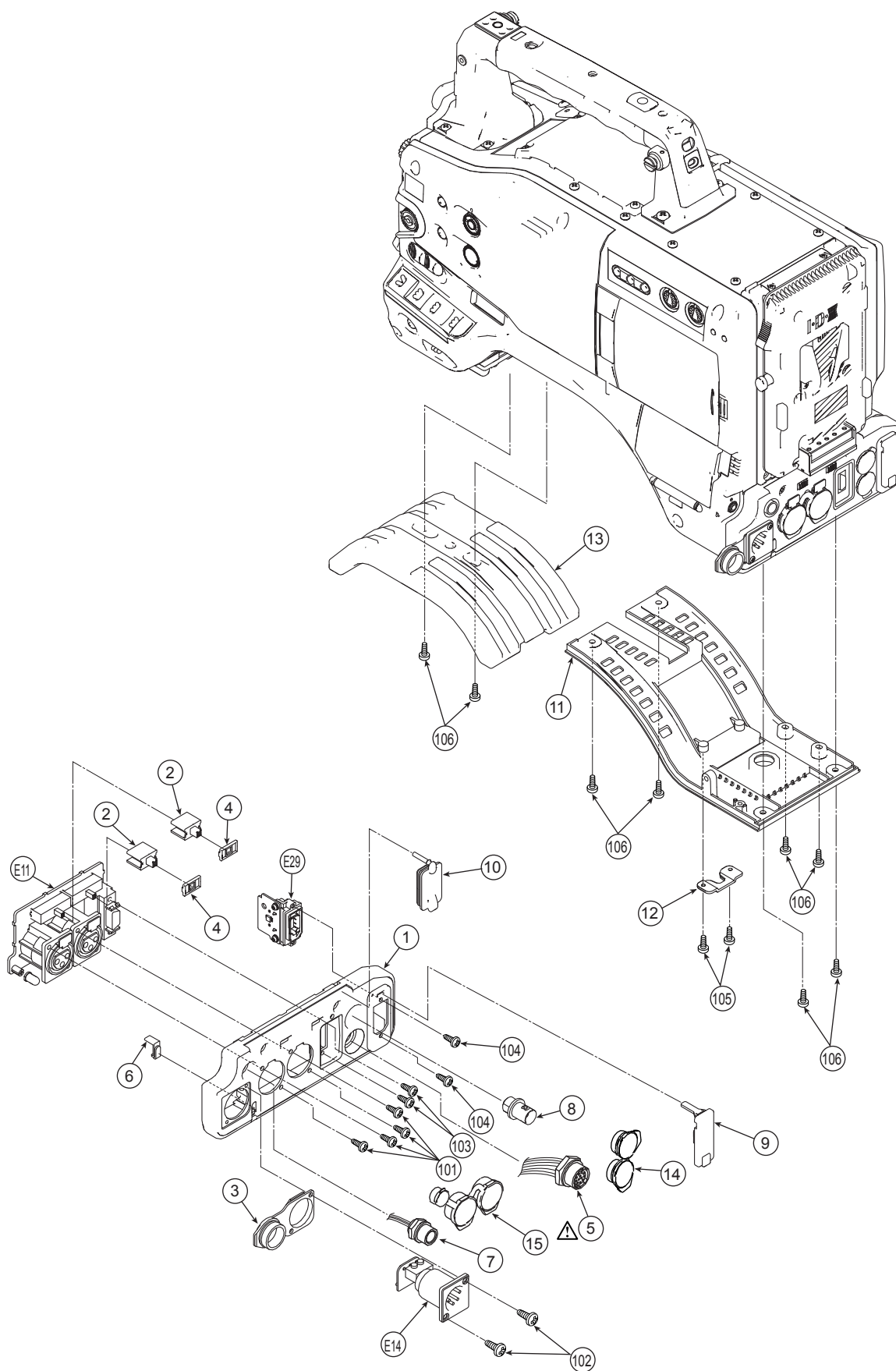
TOP CASE & HANDLE PARTS ASSEMBLY

Components identified with the mark Δ have the special characteristics for safety. When replacing any of these components, use only the same type.


Ref.No.	Part No.	Part Name & Description	Pcs	Remarks	Ref.No.	Part No.	Part Name & Description	Pcs	Remarks
1	VGM2211	TOP CASE	1						
2	VGM2232	VF MOUNT BLOCK	1						
3	VGP5629	VF LOCK RING	1						
4	VGM2130	VF BASE	1						
5	VQL1P06	VF RING LOCK LABEL	1						
6	VLP0186	FERRITE CORE	1	JOKE00000027					
7	VJF1319	SHOE	1						
Δ 8	VEE1D68	CABLE	1						
Δ 9	VEE1D65	HANDLE CABLE	1						
10	VMT1631	VF CORE CUSION	1						
11	VJF1535	COATING CLIP	1						
12	VYH0375	HANDLE U	1						
13	VGL1113	TALLY COVER	1						
14	VGH4770	REC LABEL	1						
15	VMT1590	HANDLE SPONGE (2)	1						
16	VGU9695	RUBBER BUTTON (B)	1						
17	VGU9214	SLIDE KNOB	1						
18	VMG1460	SLIDE SW RUBBER COVER	1						
19	VMG0955	P4 O-RING	1						
20	VMG0956	P8 O-RING	1						
21	VKF3917	HANDLE COVER	1						
22	VQL1D81	GPS LABEL	1						
23	VMG1710	GPS BLANK CAP	1						
24	VJF1563	PRESS CLAMP	1						
25	VMP8834	TOP FRAME	1						
26	VJF1531	CABLE CLAMPER	2						
101	XSS2+4FJK	SCREW	2						
102	VHD1793	HEX SCREW	3						
103	XWA3BFJK	SCREW	3						
104	XSN2+6FJK	SCREW	4						
105	XYN2+F6FN	SCREW	5						
106	XSB4+8FJK	SCREW	2						
107	XSB3+8FJK	SCREW	12						
108	XYN26+J6FJ	SCREW	12						
109	XSB2+6FJK	SCREW	2						
110	XSB4+6FJK	SCREW	2						
111	XVE4A25VW	HEX SCREW	2						
E19	VEP80D06A	HANDLE SW P. C. BOARD	1						
E26	VEP80D07A	HANDLE TALLY P. C. BOARD	1						

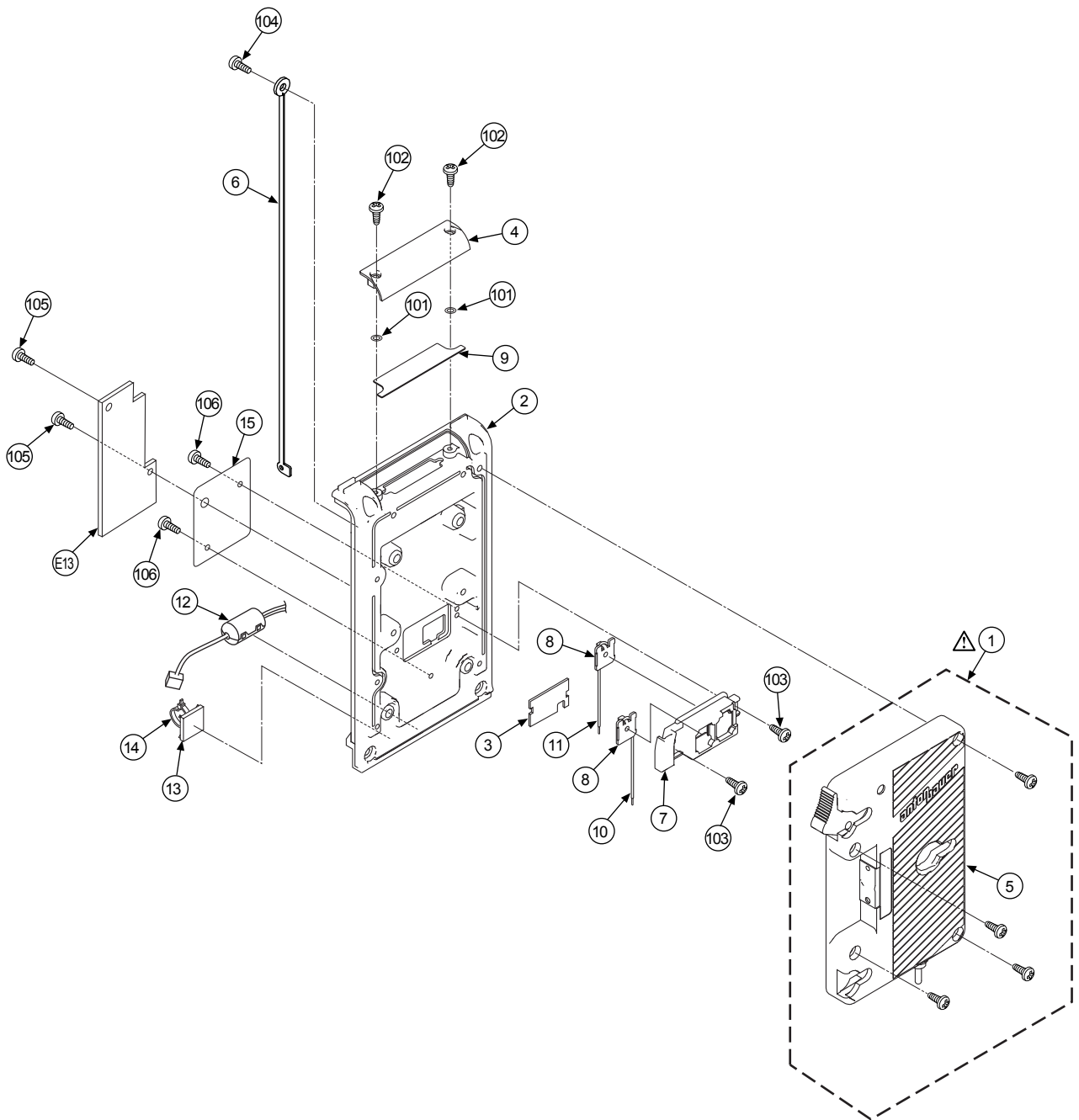
REAR JACK PARTS ASSEMBLY

Components identified with the mark  have the special characteristics for safety. When replacing any of these components, use only the same type.

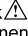


BACK CASE PARTS ASSEMBLY

Components identified with the mark  have the special characteristics for safety. When replacing any of these components, use only the same type.

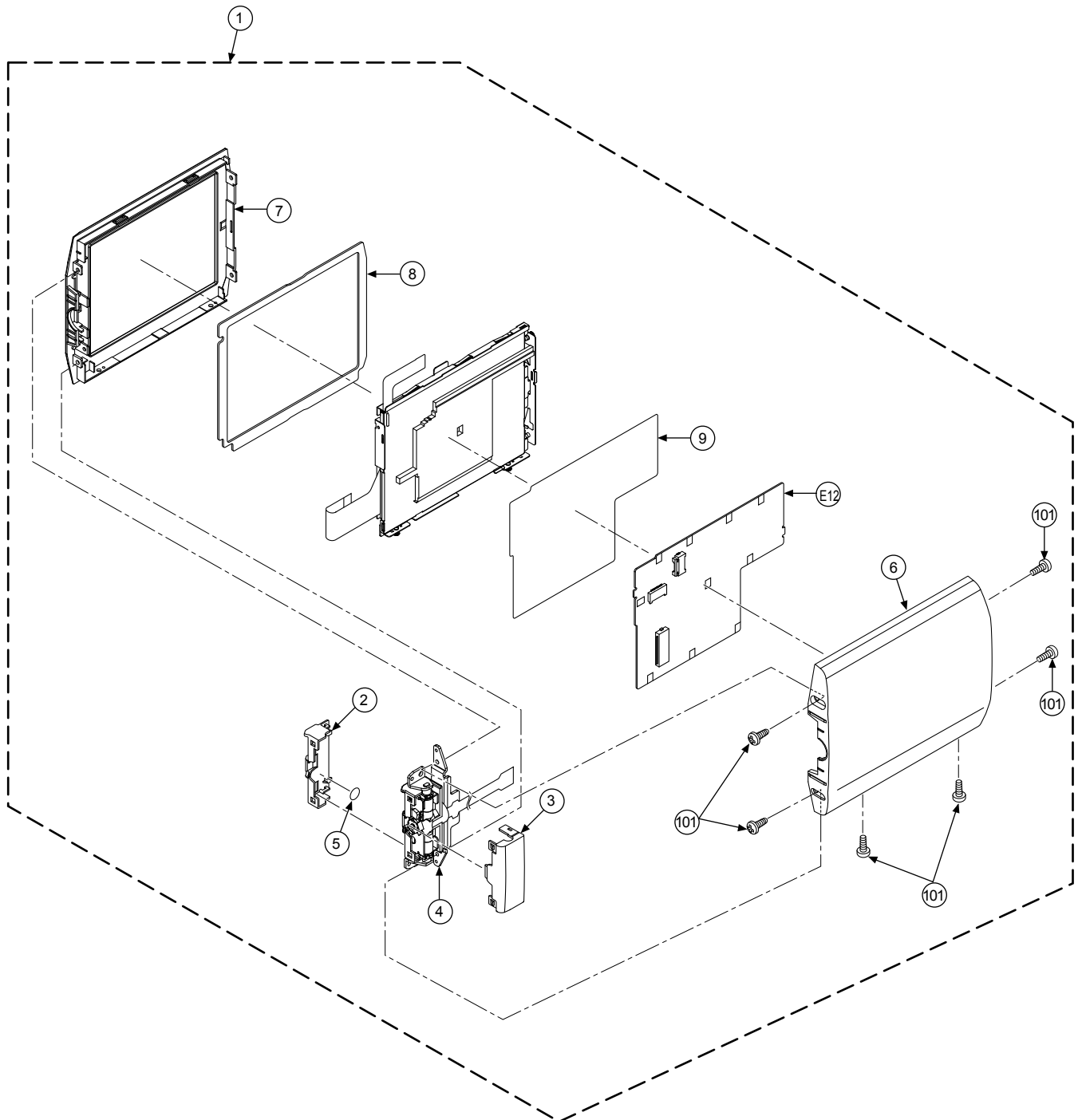


BACK CASE PARTS ASSEMBLY

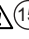
Components identified with the mark  have the special characteristics for safety. When replacing any of these components, use only the same type.

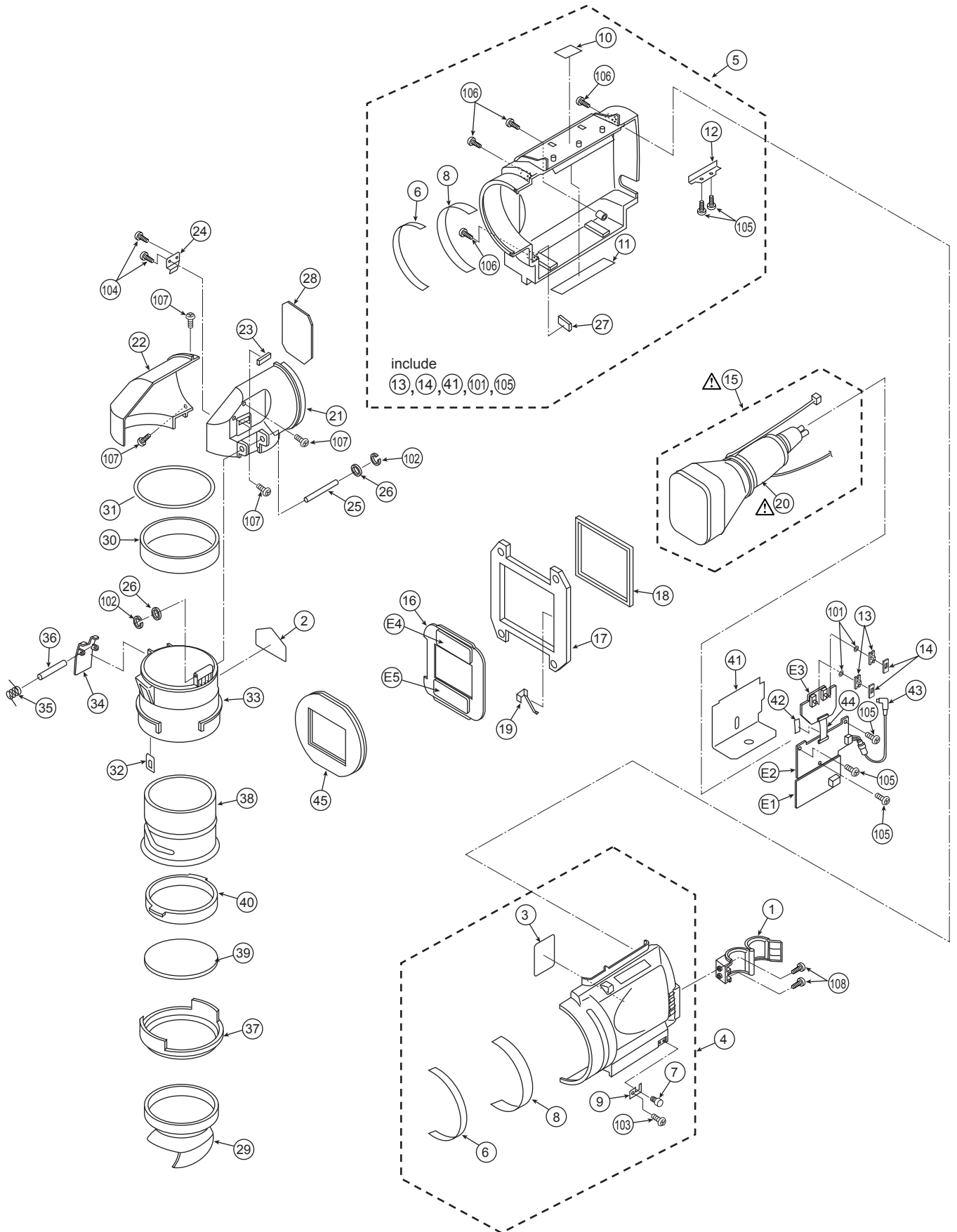
Ref.No.	Part No.	Part Name & Description	Pcs	Remarks	Ref.No.	Part No.	Part Name & Description	Pcs	Remarks
△ 1	VEE1D71	ANTON BOX U1 CABLE	1						
2	VYK2D58	BACK CASE 1U	1						
3	VJF1476	BATTERY ADAPTOR B	1						
4	VGF0960	CONNECTOR COVER	1						
5	VJF1347S	ANTON BRACKET	1						
6	VK0601	HINGE (REAR)	1						
7	VJF1498	TERMINAL HOLDER	1						
8	VJR0696	CONNECTION TERMINAL	2						
9	VGF1057	BACK BLIND SHEET	1						
10	VEUC7R090ACF	CABLE	1						
11	VEUC7B090ACF	CABLE	1						
12	VLP0123	FERRITE CORE	1	JOKG00000001					
13	VG09553	AMP BASE	1						
14	VJF1559	CLAMPER	1						
15	VMZ3723	BACK CASE BARRIER	1						
101	VMX2605	WASHER	2						
102	XSN26+6FJK	SCREW	2						
103	XSB3+4FJK	SCREW	2						
104	VHD1774	SCREW	1						
105	XYN26+J6FJ	SCREW	2						
106	XYN26+J4FJ	SCREW	2						
E13	VEP001U0A	BATTERY IF P. C. BOARD	1						

LCD PARTS ASSEMBLY




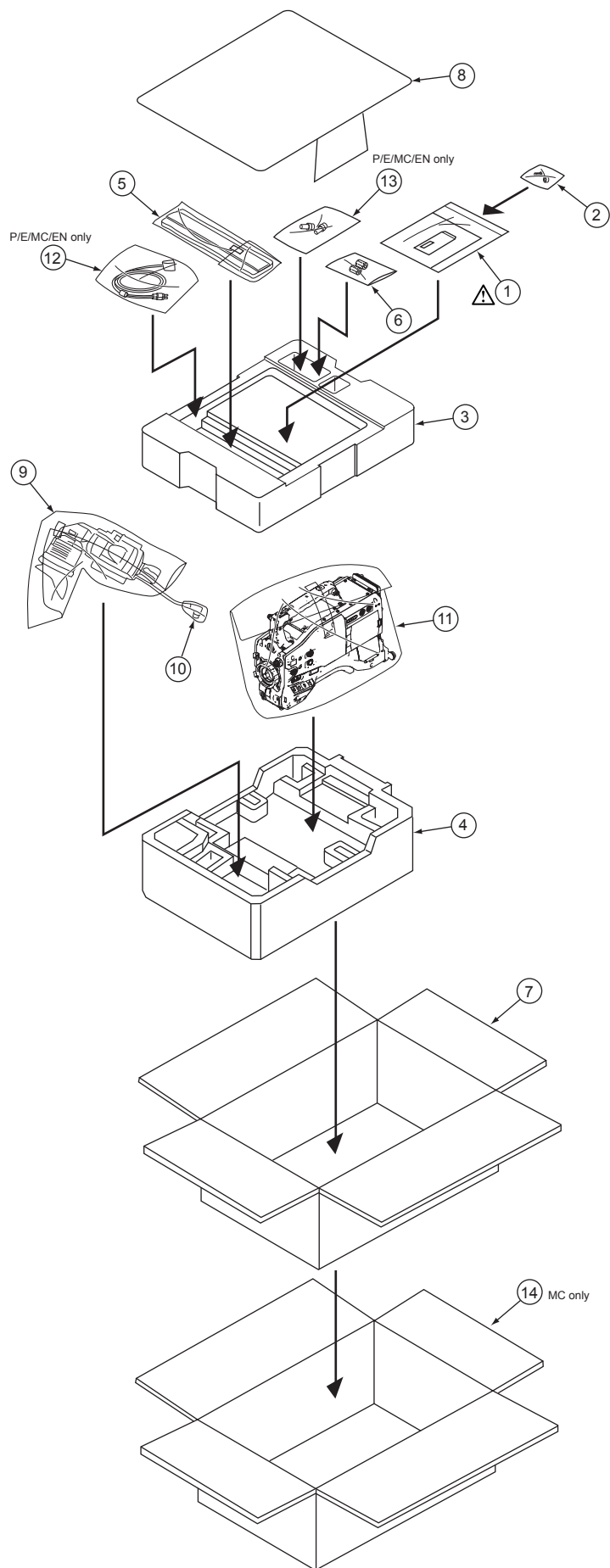
VF PARTS ASSEMBLY

Components identified with the mark  have the special characteristics for safety. When replacing any of these components, use only the same type.



PACKING PARTS ASSEMBLY

Components identified with the mark  have the special characteristics for safety. When replacing any of these components, use only the same type.



MPL-21

