

Panasonic Broadcast Mechanical Parts List

Model No. : **AG-HPG10P/E/MC**

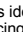
Note:

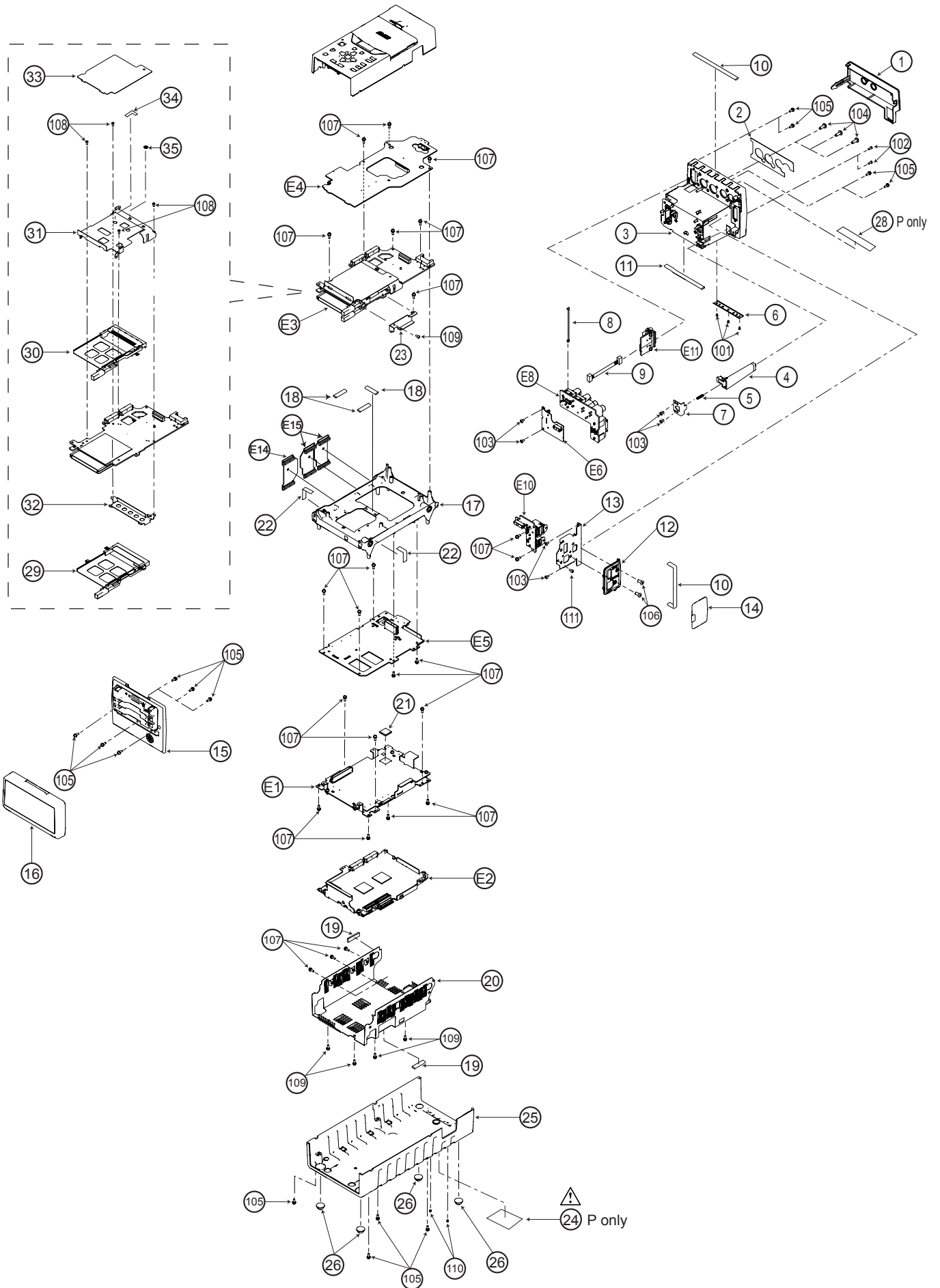
1. *Be sure to make your orders of replacement parts according to this list.
2. Unless otherwise specified, all resistors are in OHMS, K=1,000 OHMS, all capacitors are in MICROFARADS (μ F), P= μ μ F.
3. The P.C. Board unit marked with "■" shown below the main assembled parts.
4. The parts marked with $\text{\textcircled{E}}$ on the exploded view show the electric parts.
5. IMPORTANT SAFETY NOTICE
Components identified with the mark Δ have the special characteristics for safety. When replacing any of these components, use only the same type.
6. The marking (RTL) indicates the retention time is limited for this item.
After the discontinuation of this assembly in production, it will no longer be available.
7. "M" in Remark column indicates needed in the periodical maintenance.

CONTENTS

CASING PARTS ASSEMBLY	MPL-1
TOP CASE & LCD PARTS ASSEMBLY	MPL-3
PACKING PARTS ASSEMBLY	MPL-5

CASING PARTS ASSEMBLY

Components identified with the mark  have the special characteristics for safety. When replacing any of these components, use only the same type.

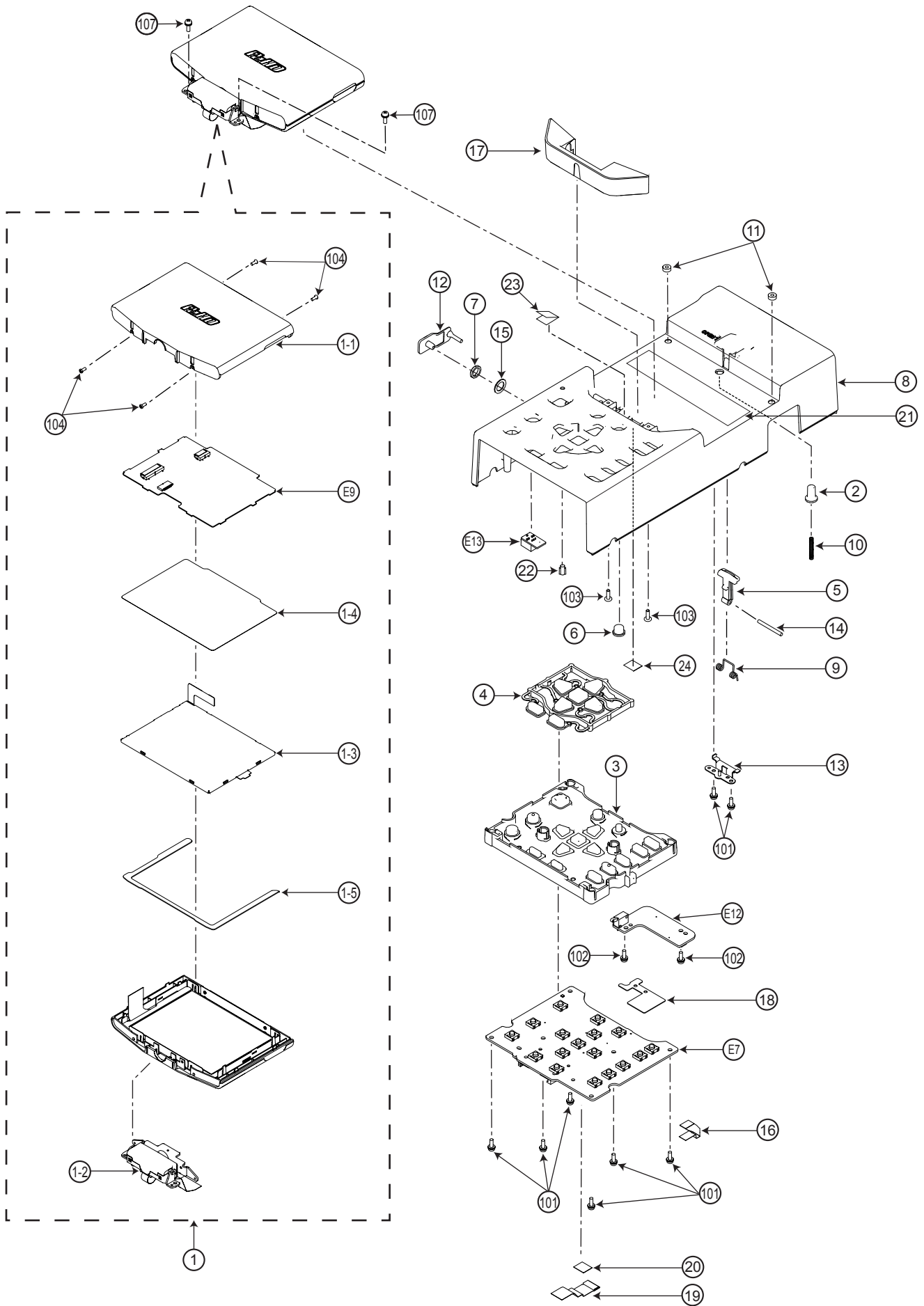


CASING PARTS ASSEMBLY


Components identified with the mark Δ have the special characteristics for safety. When replacing any of these components, use only the same type.

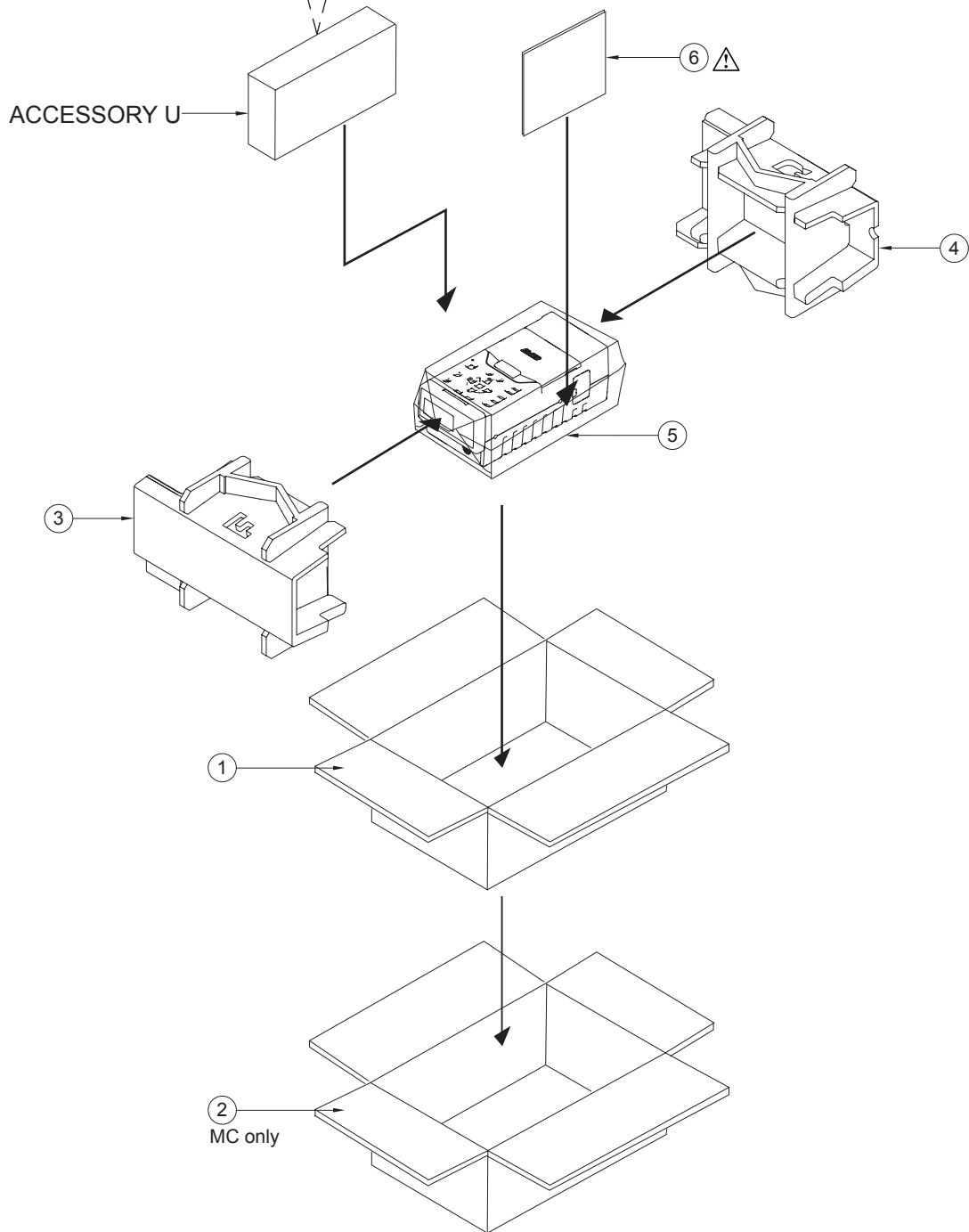
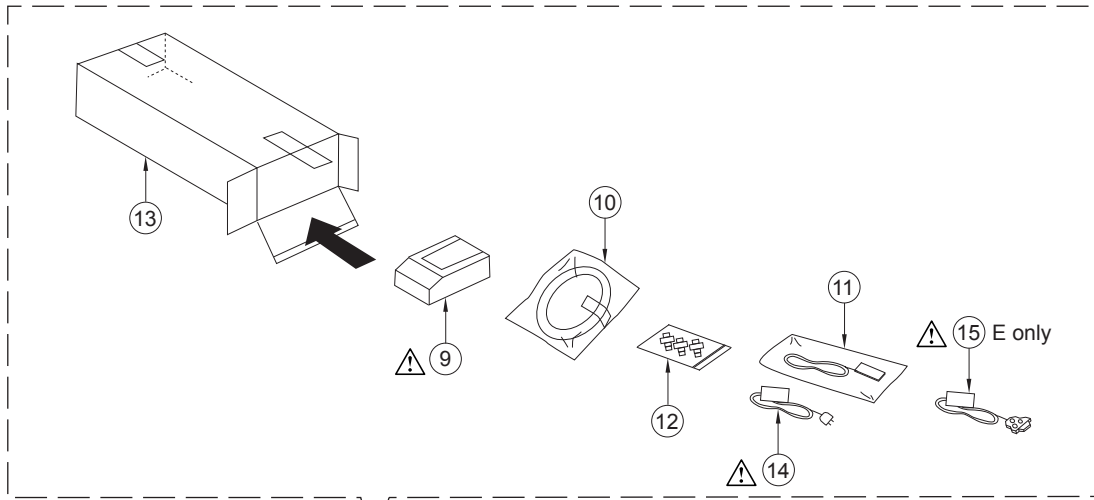
Ref.No.	Part No.	Part Name & Description	Pcs	Remarks	Ref.No.	Part No.	Part Name & Description	Pcs	Remarks
1	VGF1078	JACK COVER	1						
2	VGH4966	JACK LABEL	1						
3	VYK2H60	BATTERY CASE 1U	1						
4	VGU0B45	BATTERY LOCK BUTTON	1						
5	VMB4036	BATTERY LOCK SPRING	1						
6	VMP8855	BATTERY BOTTOM PLATE	1						
7	VMP8856	BATTERY LOCK PLATE	1						
8	K1TZB9A00049	SDI CABLE (RED)	1						
9	VEE1D85	1394 CABLE	1						
10	VMT1880	EMC GASKET REAR TOP	2						
11	VMT1881	EMC GASKET REAR BOTTOM	1						
12	VGP6216	USB PANEL	1						
13	VMP8857	USB PLATE	1						
14	VMG1800	USB CAP	1						
15	VYK2G18	FRONT PANEL 1U	1						
16	VYK2G19	FRONT LID U	1						
17	VKM7167	MAIN FRAME	1						
18	VMT1857	GASKET B	3						
19	VMF0578	PROTECT TAPE	2						
20	VMP8959	MAIN SHIELD PLATE	1						
21	VMZ3531	HEATING SHEET (DECO)	1						
22	VMT1892	EMC GASKET	2						
23	VMP8958	P2 EARTH PLATE R	1						
Δ 24	VGN0W53	RATING LABEL	1	FOR AG-HPG10P					
25	VKM7168	BOTTOM CASE	1						
26	VKA0390	LEG NEW	4						
28	VQL2617	SEE MANUAL LABEL	1	FOR AG-HPG10P					
29	K1YYZ000077	CARD HOLDER A	1						
30	K1YYZ000076	CARD HOLDER B	1						
31	VMP8554	P2 CARD ANGLE A	1						
32	VMP8555	P2 CARD ANGLE B	1						
33	VMZ3718	P2 ANGLE BARRIER	1						
34	VQG8877	LCD FPC TAPE	1						
35	VMZ3717	FFC CUSHION	1						
101	XQN16BJ25FJK	SCREW	3						
102	XQN2+Bj6FJK	SCREW	2						
103	XTB2+4GFJ	SCREW	6						
104	XTB3+8GFJK	SCREW	3						
105	XYN2+J6FJK	SCREW	14						
106	XSN3+6FJK	SCREW	2						
107	XYN2+J6FJ	SCREW	24						
108	XQN2+B4FN	SCREW	4						
109	XQN2+B25FJ	SCREW	5						
110	XQN16+B2FJK	SCREW	2						
111	VHD1887	SCREW	1						
E1	VEP03H15A	V PROC C. B. A.	1						
E2	VEP03H16A	CODEC C. B. A.	1						
E3	VEP03H17A	P2 CARD C. B. A.	1						
E4	VEP03H18A	AV OUT C. B. A.	1						
E5	VEP01991A	POWER C. B. A.	1						
E6	VEP01992A	BATTERY C. B. A.	1						
E8	VEP03H20A	JACK C. B. A.	1						
E10	VEP03H22A	USB C. B. A.	1						
E11	VEP03H26A	1394 CN C. B. A.	1						
E14	VEP001S7A	R INTER CN1 C. B. A.	1						
E15	VEP001S8A	R INTER CN2 C. B. A.	2						

TOP CASE & LCD PARTS ASSEMBLY



PACKING PARTS ASSEMBLY

Components identified with the mark  have the special characteristics for safety. When replacing any of these components, use only the same type.



MPL-5

