

FEATURES

- Two freezer storage drawers.
- Custom front panels and hardware allow for infinite design options.
- Point-of-use refrigeration that can be placed anywhere in the home.
- Redesigned sleek, minimalist interior is lit by LEDs to reduce heat.
- Interactive control panel with touch screen and precise temperature control.
- Automatic ice maker with max ice feature to increase ice production up to 30 percent (model ID-24FI).
- Full-extension storage drawers.
- Smart Grid ready.
- Star-K certified.



MODEL OPTIONS

FREEZER

Ice maker	ID-24FI
Without ice maker	ID-24F

INTERIOR FEATURES

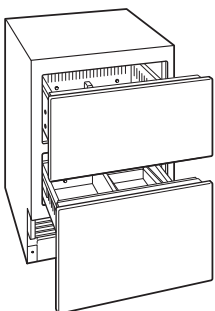
FREEZER

Adjustable dividers
Removable ice container

ACCESSORIES

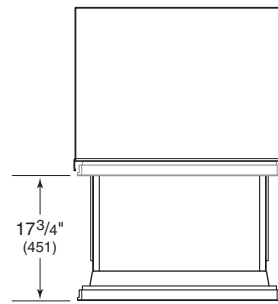
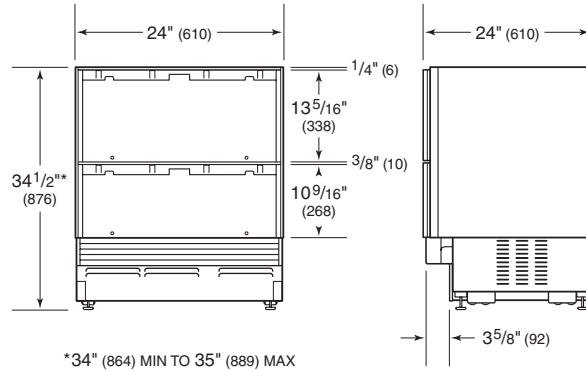
- Stainless steel front panels with tubular or pro handles and 4" or 6" toe kick.
- Stainless steel tubular and pro handles.
- Dual installation kit.

Accessories available through an authorized Sub-Zero dealer. For local dealer information, visit the find a showroom section of our website, subzero.com.

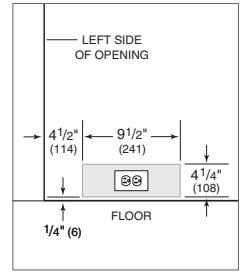


SPECIFICATIONS	
PRODUCT	
Dimensions	24"W x 34 ¹ / ₂ "H x 24"D
Weight	170 lb
CAPACITY	
Freezer	3.8 cu ft
ELECTRICAL	
Supply	115 VAC, 60 Hz
Service	15 amp circuit
PLUMBING	
Supply	¹ / ₄ " OD copper, braided stainless steel or PEX tubing
Pressure	35–120 psi

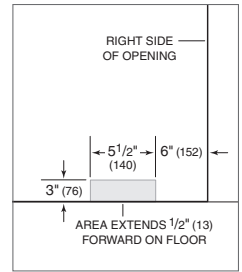
DIMENSIONS



ELECTRICAL



PLUMBING



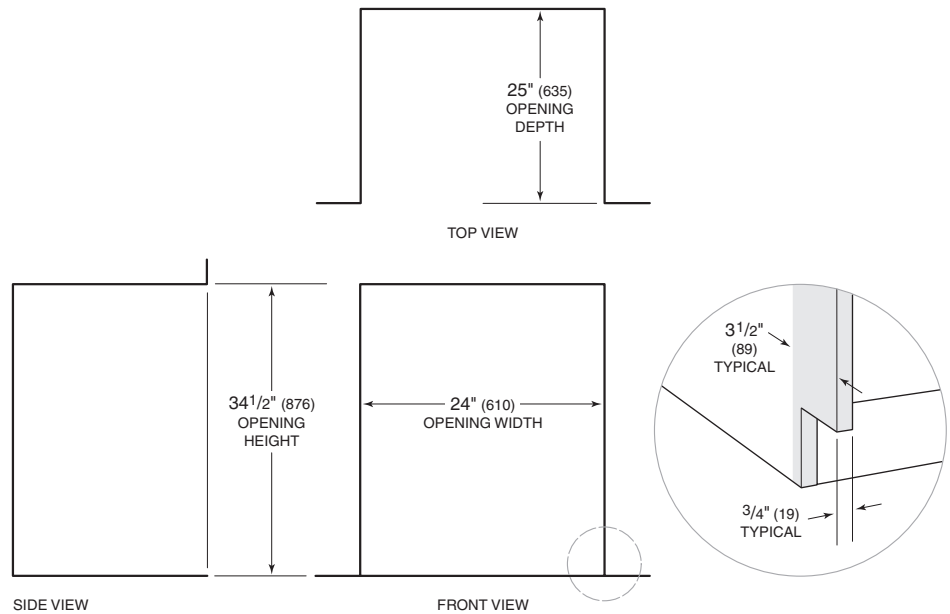
Overall dimensions do not include panels or handles. Dimensions will vary with panel thickness.

The depth of each integrated model is 24". Allow for panel thickness when planning the finished opening depth.

Specifications are subject to change without notice. Visit subzero.com/specs for the most up-to-date information.

Dimensions may vary ±¹/₈" (3). Dimensions in parentheses are millimeters unless otherwise specified.

INSTALLATION



NOTE: Shaded areas will be visible and should be finished to match cabinetry.