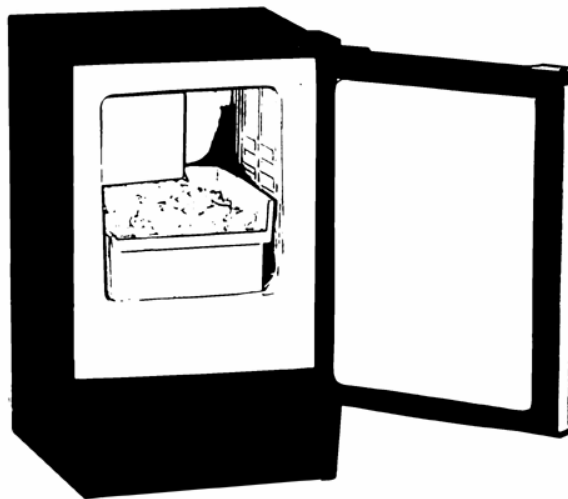




**ICE MAKER/MAQUINA DE HACER HIELO
INSTRUCTION MANUAL/MANUAL DE INSTRUCCIONES**

MODEL NUMBER/ NUMERO DE MODELO: IM20SS



CAUTION:

BEFORE USE, PLEASE READ AND FOLLOW ALL SAFETY RULES AND OPERATING INSTRUCTIONS.

LA SECCION EN ESPAÑOL EMPIEZA EN LA PAGINA 14.

AVANTI HAS A POLICY OF CONTINUOUS IMPROVEMENT ON ITS PRODUCTS AND RESERVES THE RIGHT TO CHANGE MATERIALS AND SPECIFICATIONS WITHOUT NOTICE.

**AVANTI PRODUCTS, A DIVISION OF THE MACKLE CO., INC.
P.O. BOX 520604 - MIAMI, FLORIDA 33152
WWW.AVANTIPRODUCTS.COM**

REGISTRATION INFORMATION

THANK YOU FOR PURCHASING THIS FINE AVANTI PRODUCT. PLEASE FILL OUT THIS CARD AND RETURN IT WITHIN 100 DAYS OF PURCHASE TO RECEIVE THESE IMPORTANT BENEFITS:

PROTECT YOUR PRODUCT:

WE WILL KEEP THE MODEL NUMBER AND DATE OF PURCHASE OF YOUR NEW AVANTI PRODUCT ON FILE TO HELP YOU REFER TO THIS INFORMATION IN THE EVENT OF AN INSURANCE CLAIM SUCH AS FIRE OR THEFT.

PROMOTE BETTER PRODUCTS:

WE VALUE YOUR INPUT. YOUR RESPONSES WILL HELP US DEVELOP PRODUCTS DESIGNED TO BEST MEET YOUR FUTURE NEEDS.

------(DETACH HERE)-----
AVANTI REGISTRATION CARD

NAME _____

MODEL # _____ SERIAL # _____

ADDRESS _____

DATE PURCHASED _____ STORE/DEALER NAME _____

CITY _____ STATE _____ ZIP _____

OCCUPATION _____

AREA CODE _____ PHONE NUMBER _____

AS YOUR PRIMARY RESIDENCE, DO YOU:

OWN RENT

DID YOU PURCHASE AN ADDITIONAL WARRANTY:

EXTENDED NONE

YOUR AGE:

UNDER 18 18-25 26-30
 31-35 36-50 OVER 50

REASON FOR CHOOSING THIS AVANTI PRODUCT:
PLEASE INDICATE THE MOST IMPORTANT FACTORS THAT INFLUENCED YOUR DECISION TO PURCHASE THIS PRODUCT.

MARITAL STATUS:
 MARRIED SINGLE

- PRICE
- PRODUCT FEATURES
- AVANTI REPUTATION
- PRODUCT QUALITY
- SALESPERSON RECOMMENDATION
- FRIEND/RELATIVE RECOMMENDATION
- WARRANTY
- OTHER _____

IS THIS PRODUCT USED IN THE:
 HOME BUSINESS

HOW DID YOU LEARN ABOUT THIS PRODUCT:

ADVERTISING PERSONAL DEMO
 IN STORE DEMO

OTHER _____
COMMENTS _____

HELP US HELP YOU

READ THIS GUIDE CAREFULLY.

IT IS INTENDED TO HELP YOU OPERATE AND MAINTAIN YOUR NEW ICE MAKER PROPERLY.

KEEP IT HANDY TO ANSWER YOUR QUESTIONS.

IF YOU DON'T UNDERSTAND SOMETHING OR YOU NEED MORE HELP, PLEASE CALL:

**AVANTI CUSTOMER SERVICE
800-220-5570**

KEEP PROOF OF ORIGINAL PURCHASE DATE (SUCH AS YOUR SALES SLIP) WITH THIS GUIDE TO ESTABLISH THE WARRANTY PERIOD.

CAUTION:

THIS ICE MAKER IS NOT DESIGNED FOR THE STORAGE OF MEDICINE OR OTHER MEDICAL PRODUCTS.

WRITE DOWN THE MODEL AND SERIAL NUMBERS.

YOU'LL FIND THEM ON A PLATE LOCATED ON THE REAR WALL OF THE ICE MAKER.

PLEASE WRITE THESE NUMBERS HERE:

DATE OF PURCHASE

MODEL NUMBER

SERIAL NUMBER

USE THESE NUMBERS IN ANY CORRESPONDENCE OR SERVICE CALLS CONCERNING YOUR ICE MAKER.

IF YOU RECEIVED A DAMAGED ICE MAKER, IMMEDIATELY CONTACT THE DEALER (OR BUILDER) THAT SOLD YOU THE ICE MAKER.

SAVE TIME AND MONEY. BEFORE YOU CALL FOR SERVICE, CHECK THE TROUBLESHOOTING GUIDE. IT LISTS CAUSES OF MINOR OPERATING PROBLEMS THAT YOU CAN CORRECT YOURSELF.

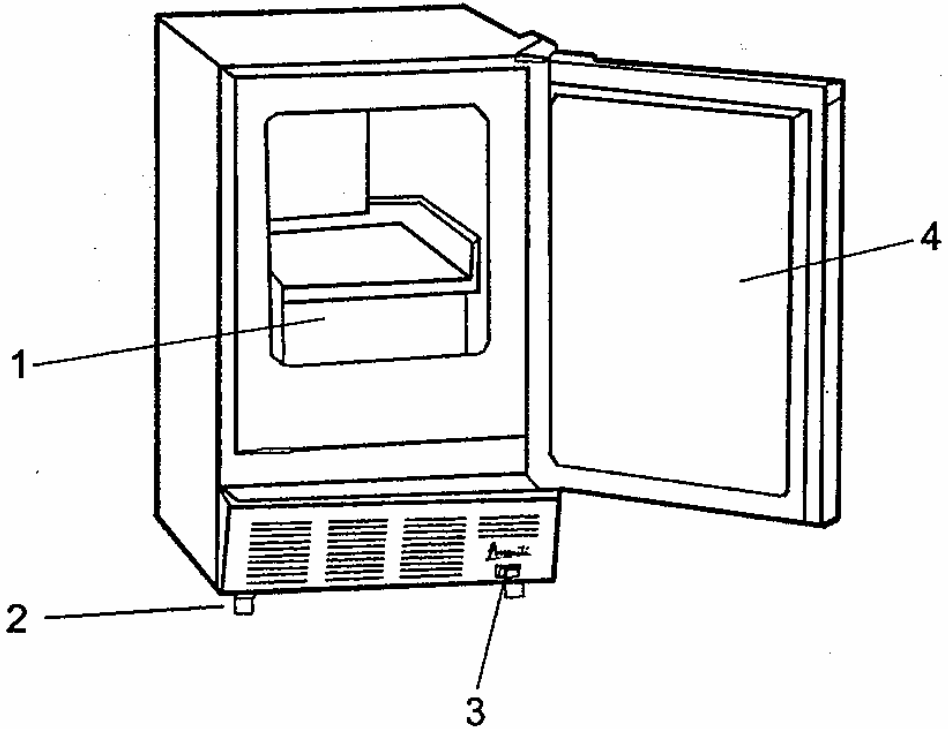
IF YOU NEED SERVICE

WE'RE PROUD OF OUR SERVICE AND WANT YOU TO BE PLEASED. IF FOR SOME REASON YOU ARE NOT HAPPY WITH THE SERVICE YOU RECEIVE, HERE ARE SOME STEPS TO FOLLOW FOR FURTHER HELP. FIRST, CONTACT THE PEOPLE WHO SERVICED YOUR ICE MAKER. EXPLAIN WHY YOU ARE NOT PLEASED. IN MOST CASES, THIS WILL SOLVE THE PROBLEM.

NEXT, IF YOU ARE STILL NOT PLEASED, WRITE ALL THE DETAILS, INCLUDING YOUR TELEPHONE NUMBER, AND SEND IT TO:

**CUSTOMER SERVICE
AVANTI PRODUCTS
10880 NW 30TH STREET
MIAMI, FL 33172**

PARTS AND FEATURES



- 1. ICEBOX
- 2. FIXED LEG
- 3. SWITCH
- 4. DOOR

TABLE OF CONTENTS

REGISTRATION INFORMATION	2
HELP US HELP YOU	3
PARTS AND FEATURES	4
IMPORTANT SAFETY INSTRUCTIONS	6
INSTALLATION INSTRUCTIONS	6
BEFORE USING YOUR ICE MAKER	6
INSTALLATION OF YOUR ICE MAKER	6
ELECTRICAL CONNECTION	7
INITIAL START-UP OPERATION	8
REVERSING THE DOOR SWING OF YOUR ICE MAKER	8
CARE AND MAINTENANCE	8
CLEANING YOUR ICE MAKER	8
POWER FAILURE	9
VACATION TIME/STORAGE	9
MOVING YOUR ICE MAKER	9
ENERGY SAVING TIPS	9
TROUBLESHOOTING GUIDE	10
SERVICE FOR YOUR ICE MAKER	11
YOUR AVANTI PRODUCTS WARRANTY	12
INSTRUCCIONES EN ESPAÑOL	14-18

IMPORTANT SAFETY INSTRUCTIONS

WARNING

TO REDUCE THE RISK OF FIRE, ELECTRICAL SHOCK, OR INJURY WHEN USING YOUR ICE MAKER, FOLLOW THESE BASIC PRECAUTIONS:

- ? READ ALL INSTRUCTIONS BEFORE USING THE ICE MAKER.
- ? **DANGER OR WARNING** RISK OF CHILD ENTRAPMENT.
- ? CHILD ENTRAPMENT AND SUFFOCATION ARE NOT PROBLEMS OF THE PAST. JUNKED OR ABANDONED APPLIANCES ARE STILL DANGEROUS. . . EVEN IF THEY WILL “JUST SIT IN THE GARAGE A FEW DAYS.”
- ? **BEFORE YOU THROW AWAY YOUR ICE MAKER:** TAKE OFF THE DOORS. LEAVE THE SHELVES IN PLACE SO THAT CHILDREN MAY NOT EASILY CLIMB INSIDE.
- ? NEVER ALLOW CHILDREN TO OPERATE, PLAY WITH, OR CRAWL INSIDE THE APPLIANCE.
- ? NEVER CLEAN ICE MAKER PARTS WITH FLAMMABLE FLUIDS. THE FUMES CAN CREATE A FIRE HAZARD OR EXPLOSION.
- ? DONOT STORE OR USE GASOLINE OR ANY OTHER FLAMMABLE VAPORS AND LIQUIDS IN THE VICINITY OF THIS OR ANY OTHER ICE MAKER. THE FUMES CAN CREATE A FIRE HAZARD OR EXPLOSION.

-SAVE THESE INSTRUCTIONS-

INSTALLATION INSTRUCTIONS

BEFORE USING YOUR ICE MAKER

- ? REMOVE THE EXTERIOR AND INTERIOR PACKING.
- ? CHECK TO BE SURE YOU HAVE ALL OF THE FOLLOWING PARTS:
 - 1 ICE BUCKET
 - 1 PLASTIC SCOOP
 - 25 FT. HOSE
 - 1 INSTRUCTION MANUAL
- ? BEFORE CONNECTING THE ICE MAKER TO THE POWER SOURCE, LET IT STAND UPRIGHT FOR APPROXIMATELY 2 HOURS. THIS WILL REDUCE THE POSSIBILITY OF A MALFUNCTION IN THE COOLING SYSTEM FROM HANDLING DURING TRANSPORTATION.
- ? CLEAN THE INTERIOR SURFACE WITH LUKEWARM WATER USING A SOFT CLOTH.

INSTALLATION OF YOUR ICE MAKER

- ? **THIS APPLIANCE IS DESIGNED TO BE RECESSED OR BUILT-IN (FULLY RECESSED).**
- ? PLACE YOUR ICE MAKER ON A FLOOR THAT IS STRONG ENOUGH TO SUPPORT THE ICE MAKER WHEN IT IS FULLY LOADED. REMEMBER THAT THE UNIT WILL BE SIGNIFICANTLY HEAVIER ONCE IT IS FULLY LOADED. TO LEVEL YOUR ICE MAKER, ADJUST THE LEGS AT THE FRONT OF THE ICE MAKER.
- ? LOCATE THE ICE MAKER AWAY FROM DIRECT SUNLIGHT AND SOURCES OF HEAT (STOVE, HEATER, RADIATOR, ETC.). DIRECT SUNLIGHT MAY AFFECT THE ACRYLIC COATING AND HEAT SOURCES MAY INCREASE ELECTRICAL CONSUMPTION. EXTREME COLD AMBIENT TEMPERATURES MAY ALSO CAUSE THE ICE MAKER NOT TO PERFORM PROPERLY.
- ? AVOID LOCATING THE ICE MAKER IN MOIST AREAS. TOO MUCH MOISTURE IN THE AIR WILL CAUSE FROST TO FORM QUICKLY ON THE EVAPORATOR REQUIRING MORE FREQUENT DEFROSTING OF THE ICE MAKER.
- ? PLUG THE ICE MAKER INTO AN EXCLUSIVE PROPERLY INSTALLED-GROUNDED WALL OUTLET. DO NOT UNDER ANY CIRCUMSTANCES CUT OR REMOVE THE THIRD (GROUND)

PRONG FROM THE POWER CORD. ANY QUESTIONS CONCERNING POWER AND OR GROUNDING SHOULD BE DIRECTED TOWARD A CERTIFIED ELECTRICIAN OR AN AUTHORIZED AVANTI PRODUCTS SERVICE CENTER.

ELECTRICAL CONNECTION

WARNING

IMPROPER USE OF THE GROUNDED PLUG CAN RESULT IN THE RISK OF ELECTRICAL SHOCK. IF THE POWER CORD IS DAMAGED, HAVE IT REPLACED BY AN AUTHORIZED AVANTI PRODUCTS SERVICE CENTER.

- ? THIS ICE MAKER SHOULD BE PROPERLY GROUNDED FOR YOUR SAFETY. THE POWER CORD OF THIS ICE MAKER IS EQUIPPED WITH A THREE-PRONG PLUG WHICH MATES WITH STANDARD THREE PRONG WALL OUTLETS TO MINIMIZE THE POSSIBILITY OF ELECTRICAL SHOCK.
- ? DO NOT UNDER ANY CIRCUMSTANCES CUT OR REMOVE THE THIRD GROUND PRONG FROM THE POWER CORD SUPPLIED.
- ? NEVER USE AN EXTENSION CORD TO CONNECT POWER TO THE UNIT.
- ? NEVER USE A TWO-PRONG GROUNDING ADAPTER.
- ? WHERE A TWO-PRONG WALL RECEPTACLE IS ENCOUNTERED, CONTACT A QUALIFIED ELECTRICIAN TO HAVE IT REPLACED WITH A 3-PRONG RECEPTACLE IN ACCORDANCE WITH APPLICABLE ELECTRICAL CODES.
- ? THIS ICE MAKER REQUIRES A STANDARD 115/120 VOLTS A.C.~/60HZ ELECTRICAL OUTLET WITH THREE-PRONG GROUND.
- ? THE CORD SHOULD BE SECURED BEHIND THE ICE MAKER AND NOT LEFT EXPOSED OR DANGLING TO PREVENT ACCIDENTAL INJURY.

1. CONNECTING THE WATER SUPPLY

WARNING

**IMPROPER WATER LINE CONNECTION MAY RESULT IN FLOODING
YOU MUST USE A LICENSED PLUMBER
REVIEW STATE AND LOCAL PLUMBING CODES BEFORE INSTALLATION**

- ? ALL THE NECESSARY HARDWARE IS NOT PROVIDED FOR INSTALLATION SO IT IS NECESSARY TO HIRE A PROFESSIONAL LICENSED PLUMBER TO COMPLETE THE INSTALLATION.
- ? CONNECT TUBING (SUPPLIED WITH UNIT) TO THE NEAREST COLD WATER SOURCE. CONNECT SUFFICIENT TUBING TO THE UNIT TO ALLOW THE APPLIANCE TO BE MOVED FREELY FOR CLEANING AND SERVICE. ALSO MAKE SURE THAT THE TUBING IS NOT PINCHED OR DAMAGED DURING TRANSPORTATION.
- ? POSITION UNIT TO ALLOW FREE AIRFLOW THROUGH THE FRONT GRILL (SEE SKETCH 1). WIPE OUT INSIDE OF UNIT AND ICE BUCKET WITH A DAMP CLOTH.



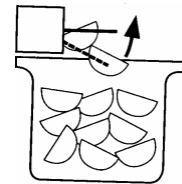
SKETCH 1

INITIAL START-UP OPERATION

1. PLUG THE APPLIANCE INTO A 115/120V POLARIZED AND GROUNDED WALL ELECTRICAL OUTLET.
2. PLACE THE ON-OFF SWITCH IN THE "ON" POSITION.
3. MAKE SURE THE WATER SUPPLY IS ON. AS SOON AS THE INNER MECHANISM REACHES THE PROPER TEMPERATURE, THE ICEMAKER MECHANISM WILL FILL THE MOLD WITH WATER.
4. THE FIRST CUBES MAY BE SMALL BECAUSE OF AIR IN THE WATER LINE. LATER CUBES WILL BE OF STANDARD CRESCENT MOON TYPE SIZE.
5. APPROXIMATE TIME FOR THE FIRST CYCLE IS BETWEEN 30-40 MINUTES.
6. EACH CYCLE APPROXIMATELY WILL TAKE 140 ML OF WATER SO YOU SHOULD HAVE A FULL TRAY, AFTER 11 HOURS.

IMPORTANT: THROW AWAY ALL ICE CUBES MADE DURING THE FIRST 3 HOURS OF OPERATION.

- ? WHEN THE ICE BUCKET IS FULL, THE ICE MAKING MECHANISM WILL AUTOMATICALLY SHUT OFF. HOWEVER THE SYSTEM WILL CONTINUE TO COOL AND MAINTAIN THE CUBES SUPPLY.
- ? ICE DELIVERY MAY BE INTERRUPTED BY RAISING THE METAL ARM INTO AN UPRIGHT POSITION (SEE SKETCH 2)
- ? IF THE ICEMAKER IS NOT USED REGULARLY, IT IS RECOMMENDED THAT THE ICE BUCKET BE EMPTIED PERIODICALLY TO INSURE FRESH ICE.
- ? SOMETIMES THE CUBES MAY APPEAR CLOUDY. THIS IS CAUSE OF NO CONCERN AND HAS NOTHING TO DO WITH THE TASTE OR CHEMICAL MAKE-UP OF THE WATER.
- ? THE FRONT GRILL SHOULD BE KEPT FREE OF DUST AND LINT TO PERMIT FREE AIRFLOW.
- ? THIS UNIT SHOULD BE DEFROSTED APPROXIMATELY EVERY 4-6 WEEKS OR WHEN FROST ON THE ICE MAKER WALLS IS EXCESSIVE OR ¼" THICK. TO DEFROST, TURN THE UNIT OFF, REMOVE CUBES AND KEEP DOOR OPEN AT LEAST TWO INCHES.



SKETCH 2

REVERSING THE DOOR SWING OF YOUR ICE MAKER

THIS APPLIANCE HAS THE CAPABILITY OF THE DOOR OPENING FROM EITHER THE LEFT OR RIGHT SIDE. THE UNIT IS DELIVERED TO YOU WITH THE DOOR OPENING FROM THE LEFT SIDE. SHOULD YOU DESIRE TO REVERSE THE OPENING DIRECTION, PLEASE CALL CUSTOMER SERVICE FOR REVERSAL INSTRUCTIONS

CARE AND MAINTENANCE

CLEANING YOUR ICE MAKER

- ? TURN THE SWITCH CONTROL TO "OFF", UNPLUG THE ICE MAKER AND REMOVE BUCKET.
- ? WASH THE INSIDE WITH A WARM WATER AND BAKING SODA SOLUTION. THE SOLUTION SHOULD BE ABOUT 2 TABLESPOONS OF BAKING SODA TO A QUART OF WATER.
- ? WASH THE BUCKET WITH A MILD DETERGENT SOLUTION.
- ? THE OUTSIDE OF THE ICE MAKER SHOULD BE CLEANED WITH MILD DETERGENT AND WARM WATER.
- ? THE CONDENSER COILS SHOULD BE VACUUMED WHEN THEY ARE DUSTY OR DIRTY.

CAUTION

FAILURE TO UNPLUG THE ICE MAKER COULD RESULT IN ELECTRICAL SHOCK OR PERSONAL INJURY.

POWER FAILURE

MOST POWER FAILURES ARE CORRECTED WITHIN A FEW HOURS AND SHOULD NOT AFFECT THE TEMPERATURE OF YOUR ICE MAKER IF YOU MINIMIZE THE NUMBER OF TIMES THE DOOR IS OPENED. IF THE POWER IS GOING TO BE OFF FOR A LONGER PERIOD OF TIME, YOU NEED TO TAKE THE PROPER STEPS TO DISCONNECT YOUR APPLIANCE.

VACATION TIME/STORAGE

1. SHUT OFF WATER SUPPLY AT THE MAIN WATER VALVE.
2. DISCONNECT THE WATER SUPPLY LINE FROM VALVE.
3. ALLOW UNIT TO RUN FOR AN HOUR OR TWO UNTIL ALL REMAINING ICE CUBES HAVE BEEN EJECTED.
4. DISCONNECT UNIT FROM MAIN POWER SOURCE.
5. DRY OUT EXCESS WATER FROM ICE MAKER ASSEMBLY
6. LEAVE THE DOOR OPEN AT LEAST TWO INCHES.

MOVING YOUR ICE MAKER

- ? SECURELY TAPE DOWN ALL LOOSE ITEMS INSIDE YOUR ICE MAKER.
- ? TURN THE LEVELING SCREWS UP TO THE BASE TO AVOID DAMAGE.
- ? TAPE THE DOOR SHUT.
- ? BE SURE THE ICE MAKER STAYS IN THE UPRIGHT POSITION DURING TRANSPORTATION.

ENERGY SAVING TIPS

- ? THE ICE MAKER SHOULD BE LOCATED IN THE COOLEST AREA OF THE ROOM, AWAY FROM HEAT PRODUCING APPLIANCES OR HEATING DUCTS, AND OUT OF THE DIRECT SUNLIGHT.

PROBLEMS WITH YOUR ICE MAKER?

YOU CAN SOLVE MANY COMMON ICE MAKER PROBLEMS EASILY, SAVING YOU THE COST OF A POSSIBLE SERVICE CALL. TRY THE SUGGESTIONS BELOW TO SEE IF YOU CAN SOLVE THE PROBLEM BEFORE CALLING THE SERVICER.

TROUBLESHOOTING GUIDE

PROBLEM	POSSIBLE CAUSE
ICE MAKER DOES NOT OPERATE.	NOT PLUGGED IN. THE CIRCUIT BREAKER TRIPPED OR A BLOWN FUSE. THE ICE MAKER POWER SWITCH IS SET AT "OFF".
NOT PRODUCING ICE	AIRFLOW TO FRONT GRILL BLOCKED. THE ICE MAKER ARM IS SET TO THE OFF POSITION. WATER SUPPLY IS TURNED OFF. WATER LINE IS CRIMPED. ICE MAKER HAS EXCESSIVE FROST BUILD UP.
COMPRESSOR TURNS ON AND OFF FREQUENTLY.	THE ROOM TEMPERATURE IS HOTTER THAN NORMAL. THE DOOR IS OPENED TOO OFTEN. THE DOOR IS NOT CLOSED COMPLETELY. THE DOOR GASKET DOES NOT SEAL PROPERLY. THE ICE MAKER DOES NOT HAVE THE CORRECT CLEARANCES.
VIBRATIONS. THE ICE MAKER SEEMS TO MAKE TOO MUCH NOISE.	CHECK TO ASSURE THAT THE ICE MAKER IS LEVEL. THE RATTLING NOISE MAY COME FROM THE FLOW OF THE REFRIGERANT, WHICH IS NORMAL. AS EACH CYCLE ENDS, YOU MAY HEAR GURGLING SOUNDS CAUSED BY THE FLOW OF REFRIGERANT IN YOUR ICE MAKER. CONTRACTION AND EXPANSION OF THE INSIDE WALLS MAY CAUSE POPPING AND CRACKLING NOISES. THE ICE MAKER IS NOT LEVEL.
THE DOOR WILL NOT CLOSE PROPERLY.	THE ICE MAKER IS NOT LEVEL. THE DOOR IS REVERSED AND NOT PROPERLY INSTALLED. THE GASKET IS DIRTY. THE BUCKET IS OUT OF POSITION.
ICE CUBES ARE MELTED TOGETHER	ICE MAKER DOOR IS OPENED TOO OFTEN.

SERVICE FOR YOUR ICE MAKER

WE ARE PROUD OF OUR CUSTOMER SERVICE ORGANIZATION AND THE NETWORK OF PROFESSIONAL SERVICE TECHNICIANS THAT PROVIDE SERVICE ON YOUR AVANTI ICE MAKER. WITH THE PURCHASE OF YOUR AVANTI ICE MAKER, YOU CAN BE CONFIDENT THAT IF YOU EVER NEED ADDITIONAL INFORMATION OR ASSISTANCE, THE AVANTI PRODUCTS CUSTOMER SERVICE TEAM WILL BE HERE FOR YOU. JUST CALL US TOLL-FREE.

AVANTI PRODUCTS CUSTOMER SERVICES

PRODUCT INFORMATION 800-323-5029	WHATEVER YOUR QUESTIONS ARE ABOUT OUR PRODUCTS, HELP IS AVAILABLE.
PART ORDERS 800-220-5570	YOU MAY ORDER PARTS AND ACCESSORIES THAT WILL BE DELIVERED DIRECTLY TO YOUR HOME, BY PERSONAL CHECK, MONEY ORDER, MASTER CARD, OR VISA.
IN-HOME REPAIR SERVICE 800-220-5570	AN AVANTI PRODUCTS AUTHORIZED SERVICE CENTER WILL PROVIDE EXPERT REPAIR SERVICE, SCHEDULED AT A TIME THAT IS CONVENIENT FOR YOU. OUR TRAINED SERVICE TECHNICIANS KNOW YOUR ICE MAKER INSIDE AND OUT.

YOUR AVANTI PRODUCTS WARRANTY

STAPLE YOUR SALES RECEIPT HERE. PROOF OF ORIGINAL PURCHASE DATE IS NEEDED TO OBTAIN SERVICE UNDER WARRANTY.

WHAT IS COVERED

LIMITED ONE-YEAR WARRANTY

FOR ONE YEAR FROM THE DATE OF PURCHASE BY THE ORIGINAL OWNER, AVANTI PRODUCTS WILL, AT ITS OPTION, REPAIR OR REPLACE ANY PART OF THE ICE MAKER WHICH PROVES TO BE DEFECTIVE IN MATERIAL OR WORKMANSHIP UNDER NORMAL USE. DURING THIS PERIOD AVANTI PRODUCTS WILL PROVIDE ALL PARTS AND LABOR NECESSARY TO CORRECT SUCH DEFECTS FREE OF CHARGE, SO LONG AS THE ICE MAKER HAS BEEN INSTALLED AND OPERATED IN ACCORDANCE WITH THE WRITTEN INSTRUCTIONS IN THIS MANUAL. IN RENTAL OR COMMERCIAL USE, THE WARRANTY PERIOD IS 90 DAYS. ALL AVANTI APPLIANCES OF 3.5 CUBIC FEET CAPACITY OR LESS MUST BE BROUGHT/SENT TO THE APPLIANCE SERVICE SHOP FOR REPAIR.

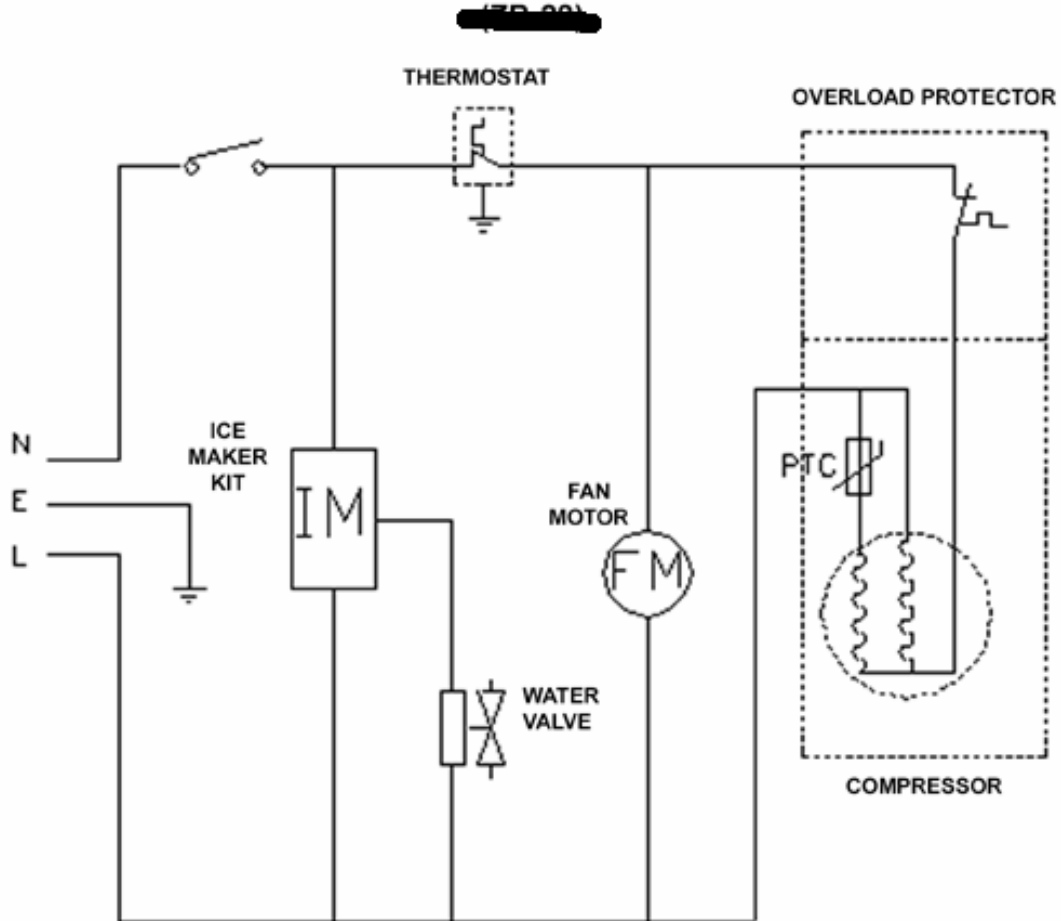
LIMITED SECOND THROUGH FIFTH YEAR WARRANTY

FOR THE SECOND THROUGH THE FIFTH YEAR FROM DATE OF ORIGINAL PURCHASE, AVANTI PRODUCTS WILL PROVIDE A REPLACEMENT COMPRESSOR FREE OF CHARGE DUE TO A FAILURE. YOU ARE RESPONSIBLE FOR THE SERVICE LABOR AND FREIGHT CHARGES. IN RENTAL OR COMMERCIAL USE, THE LIMITED COMPRESSOR WARRANTY IS ONE YEAR AND NINE MONTHS. COST TO MOVE THE ICE MAKER TO THE SERVICERS' SHOP AND BACK TO THE USER'S HOME, AS MAY BE REQUIRED, ARE THE USER'S RESPONSIBILITY.

WHAT IS NOT COVERED

- ? INCIDENTAL OR CONSEQUENTIAL DAMAGES.
- ? PARTS AND LABOR COSTS FOR THE FOLLOWING WILL NOT BE CONSIDERED AS WARRANTY:
 - ? DOOR SPRINGS AND/OR FRAMES.
 - ? INNER DOOR PANELS AND/OR DOOR SUPPORTS.
 - ? CHEST ICE MAKER LID LINERS.
 - ? PLASTIC CABINET LINERS.
- ? REPAIRS PERFORMED BY UNAUTHORIZED SERVICERS.
- ? SERVICE CALLS THAT DO NOT INVOLVE DEFECTS IN MATERIAL OR WORKMANSHIP SUCH AS CUSTOMER EDUCATION, DOOR REVERSAL, OR PROPER INSTALLATION.
- ? SERVICE CALLS THAT ARE RELATED TO EXTERNAL PROBLEMS, SUCH AS ABUSE, MISUSE, INADEQUATE ELECTRICAL POWER, ACCIDENTS, FIRE, FLOODS, OR ACTS OF GOD.
- ? REPLACEMENT OF HOUSE FUSES OR RESETTING CIRCUIT BREAKERS.
- ? FAILURE OF THE PRODUCT IF IT IS USED FOR OTHER THAN ITS INTENDED PURPOSE.
- ? THIS WARRANTY DOES NOT APPLY OUTSIDE THE CONTINENTAL U.S.A.

IM20SS WIRING DIAGRAM



INSTRUCCIONES EN ESPAÑOL

PRECAUCION	PARA REDUCIR EL RIESGO DE INCENDIO, DESCARGA ELECTRICA, O DAÑO CUANDO USE SU ELECTRODOMESTICO, SIGA LAS SIGUIENTES PRECAUCIONES.
? ? LEA TODAS LAS INSTRUCCIONES ANTES DE USAR SU ELECTRODOMESTICO. ? PELIGRO O PRECAUCION: EXISTE EL RIESGO QUE LOS NIÑOS QUEDEN ATRAPADOS. ? NIÑOS ATRAPADOS O SOFOCAMIENTO NO SON UN PROBLEMA DEL PASADO. LOS ELECTRODOMESTICOS SON PELIGROSOS AUN SI SOLO LOS DEJA EN EL GARAJE POR UN PAR DE DIAS. ? ANTES DE DESECHAR SU MAQUINA DE HACER HIELO O REFRIGERADOR USADO: QUITELE LAS PUERTAS. DEJE LAS REPISAS EN SU LUGAR PARA EVITAR QUE LOS NIÑOS SE QUEDEN ATRAPADOS. ? NO PERMITA QUE LOS NIÑOS MANEJEN, JUEGUEN O ENTREN DENTRO DEL ELECTRODOMESTICO. ? NO LIMPIE SU ELECTRODOMESTICO CON LIQUIDOS INFLAMABLES. LOS GASES PUEDEN OCASIONAR FUEGO O UNA EXPLOSION. ? NO GUARDE NI USE GASOLINA U OTROS LIQUIDOS INFLAMABLES CERCA DE ESTE O DE CUALQUIER OTRO ELECTRODOMESTICO. LOS VAPORES PUEDEN OCASIONAR FUEGO O EXPLOSION.	
- GUARDE ESTAS INSTRUCCIONES.-	

INSTRUCCIONES PARA LA INSTALACION

ANTES DE USAR SU EQUIPO

- ? RETIRE LA ENVOLTURA INTERNA Y EXTERNA.
- ? VERIFIQUE QUE TENGA LAS SIGUIENTES PARTES: 1 CANASTA DE HIELO, 1 MANUAL DE INSTRUCCIONES, 1 RECOJEDOR DE HIELO PLASTICO, Y 25 PIES DE LINEA DE AGUA.
- ? ANTES DE CONECTAR SU ELECTRODOMESTICO A LA CORRIENTE ELECTRICA, UBIQUELO EN UNA SUPERFICIE PLANA POR LO MENOS POR 2 HORAS. ESTO REDUCIRA LA POSIBILIDAD DE MALFUNCIONAMIENTO EN EL SISTEMA DE ENFRIAMIENTO POR LA MANIPULACION DURANTE EL TRANSPORTE.
- ? LIMPIE LA SUPERFICIE INTERIOR CON AGUA TIBIA USANDO UN PAÑO SUAVE.

INSTALACION DE SU MAQUINA DE HACER HIELO

- ? UBIQUE SU MAQUINA DE HACER HIELO EN UN PISO QUE SEA LO SUFICIENTEMENTE FUERTE, PARA SOPORTAR SU PESO CUANDO ESTE TOTALMENTE LLENO O CARGADO. PARA NIVELAR LA MAQUINA DE HACER HIELO, AJUSTE LAS PATAS DELANTERAS.
- ? **NO ES NECESARIO DEJAR ESPACIO ENTRE LA PARTE TRASERA Y LOS COSTADOS DE SU ELECTRODOMESTICO**
- ? MANTENGA SU MAQUINA DE HACER HIELO ALEJADO DEL AIRE CALIENTE, VAPOR O LIQUIDOS QUE PUEDAN SALPICARLO, YA QUE LA UNIDAD PODRIA AVERIARSE.
- ? LOS RAYOS SOLARES DIRECTOS PUEDEN DAÑAR LA CAPA ACRILICA, Y LAS FUENTES DE CALOR PUEDEN OCASIONAR UN AUMENTO EN EL CONSUMO ELECTRICO. MANTENGALO LO MAS ALEJADO POSIBLE DEL AGUA PARA PREVENIR ALGUN CHOQUE ELECTRICO. EVITE LOS SITIOS HUMEDOS Y LOS AMBIENTES EXTREMADAMENTE FRIOS YA QUE ESTO PUEDE AFECTAR LA EFICIENCIA DEL ENFRIAMIENTO DE SU MAQUINA DE HACER HIELO.
- ? EVITE UBICAR SU MAQUINA DE HACER HIELO EN AREAS MOJADAS O MUY HUMEDAS. MUCHA HUMEDAD EN EL AIRE PUEDE CAUSAR LA FORMACION DE ESCARCHA RAPIDAMENTE Y NECESITARA DESCONGELAR SU MAQUINA DE HACER HIELO MAS

FRECUENTEMENTE.

- ? CONECTE LA MAQUINADE HACER HIELO A UN ENCHUFE DE PARED EXCLUSIVO E INSTALE EL CABLE DE TIERRA. BAJO NINGUNA RAZON SE DEBE RETIRAR LA TERCERA PUNTA DEL ENCHUFE. CUALQUIER CONSULTA CON RESPECTO A LA ENERGIA Y/O CABLE DE TIERRA DEBE SER DIRIGIDA A UN ELECTRICISTA CERTIFICADO O AUTORIZADO POR EL SERVICIO TECNICO DE AVANTI PRODUCTS.

✂ CONEXION ELECTRICA-

ESTE ELECTRODOMESTICO DEBE SER CONECTADO A TIERRA. EN EL CASO QUE OCURRA UN CORTO CIRCUITO, LA CONEXION A TIERRA REDUCE EL RIESGO DE RECIBIR UN CHOQUE ELECTRICO YA QUE CUENTA CON UN ALAMBRE PARA EL ESCAPE DE LA CORRIENTE ELECTRICA. ESTE ELECTRODOMESTICO ESTA EQUIPADO CON UN ENCHUFE QUE CONSTA DE TRES PUNTAS, LA TERCERA PUNTA ES LA CONEXION A TIERRA. ESTE ENCHUFE DEBE SER INSERTADO A UN ENCHUFE DE PARED QUE ESTE CORRECTAMENTE INSTALADO CON LA CONEXION A TIERRA.

ADVERTENCIA

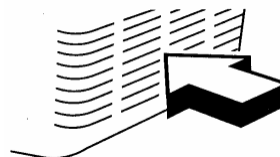
- ? EL USO INAPROPIADO DEL ENCHUFE A TIERRA PUEDE DESENCADENAR UN CHOQUE ELECTRICO. CONSULTE EL PERSONAL AUTORIZADO DE AVANTI PRODUCTS SI TIENE ALGUNA DUDA SOBRE LAS INSTRUCCIONES O SI TIENE ALGUNA CONSULTA SI EL ELECTRODOMESTICO ESTA CORRECTAMENTE INSTALADO A LA CORRIENTE ELECTRICA Y A TIERRA. SI EL CORDON DEL ENCHUFE DEL ELECTRODOMESTICO SE ENCUENTRA DAÑADO, DEBE SER REEMPLAZADO POR EL SERVICIO TECNICO DE AVANTI PRODUCTS.

- ? EL CORDON DEL ENCHUFE ESTA EQUIPADO CON TRES PUNTAS QUE ENCAJAN PERFECTAMENTE EN UN ENCHUFE DE PARED STANDARD PARA REDUCIR EL RIESGO DE UN CHOQUE ELECTRICO.
- ? BAJO NINGUNA CIRCUNSTANCIA CORTE O SAQUE LA TERCERA PUNTA DEL ENCHUFE, YA QUE ESTE ES PARA QUE VAYA CONECTADO A TIERRA.
- ? NO USE UNA EXTENSION.
- ? EL VOLTATE DE ESTE ELECTRODOMESTICO ES DE 120 VOLTIOS AC, TIENE UNA SALIDA ELECTRICA DE 60 HZ. Y CONSTA DE UN ENCHUFE DE TRES PUNTAS QUE VA CONECTADO AL ENCHUFE DE PARED.
- ? EL CORDON DEL ENCHUFE DEBE SER ASEGURADO ATRAS DEL ELECTRODOMESTICO Y NO DEJARLO EXPUESTO PARA EVITAR ACCIDENTES.

CONEXION A FUENTE DE AGUA

- ? ANTES DE INSTALAR LA UNIDAD VERIFIQUE LOS CODIGOS DE PLOMERIA EN SU ESTADO. RECOMENDAMOS QUE PARA LA INSTALACION USE UN PLOMERO PROFESIONAL Y CON LICENCIA.
- ? CONECTE EL TUBO (INCLUIDO) A LA FUENTE DE AGUA FRIA MAS CERCANA . INSTALE SUFICIENTE TUBERIA A LA UNIDAD PARA PERMITIRLE MOVIMIENTO LIBRE DURANTE LA LIMPIEZA Y EL SERVICIO. ASEGURESE QUE LA TUBERIA NO SEA APLASTADA O DAÑADA DURANTE EL TRANSPORTE.
- ? COLOQUE LA UNIDAD DE MANERA QUE PERMITA LA CIRCULACION DEL AIRE A TRAVES DE LA REJILLA DELANTERA (DIBUJO 1). CON UN TRAPO LIMPIO Y HUMEDO LIMPIE LA UNIDAD POR DENTRO Y EL DEPOSITO DE HIELO.

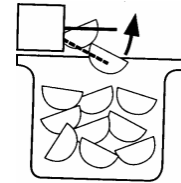
OPERACION INICIAL



1. CONECTE EL APARATO A UN ENCHUFE DE PARED DE 120V AC, POLARIZADO Y CON SALIDA A TIERRA.
2. ENCIENDA LA UNIDAD COLOCANDO EL INTERRUPTOR EN LA POSICION "ON".
3. VERIFIQUE QUE LA FUENTE DE AGUA ESTE ABIERTA. EL AGUA ENTRARA AL MECANISMO DE HACER HIELO CUANDO LA UNIDAD ALCANCE LA TEMPERATURA APROPIADA.
4. LOS PRIMEROS CUBOS DE HIELO PODRIAN SALIR PEQUEÑOS DEBIDO AL AIRE EN LA ENTRADA DEL AGUA. LOS SIGUIENTES CUBOS TENDRAN EL TAMAÑO NORMAL EN FORMA DE MEDIA LUNA.
5. EL PRIMER CICLO TOMARA APROXIMADAMENTE 30-40 MINUTOS.
6. PARA LLENAR EL DEPOSITO SE REQUIEREN 140 ML DE AGUA Y APROXIMADAMENTE 11 HORAS.

IMPORTANTE: DESHAGASE DE LOS CUBOS DE HIELO HECHOS DURANTE LAS 3 PRIMERAS HORAS DE OPERACION.

? CUANDO EL DEPOSITO DE HIELO ESTE LLENO, EL MECANISMO PARA HACER HIELO SE DETIENE AUTOMATICAMENTE. SIN EMBARGO EL MOTOR CONTINUA ENFRIANDO Y MANTIENE LOS CUBOS DE HIELO CONGELADOS.



DIBUJO 2

? PARA DETENER LA CAIDA DE CUBOS AL DEPOSITO, LEVANTE EL BRAZO DE METAL (DIBUJO 2).

? SI LA MAQUINA DE HACER HIELO NO ES USADA REGULARMENTE, RECOMENDAMOS QUE VACIE EL DEPOSITO DEL HIELO PERIODICAMENTE PARA ASEGURAR QUE TENGA HIELO FRESCO.

? A VECES LOS CUBOS PUEDEN SALIR BLANCOS O NUBOSOS, ESTO ES NORMAL Y NO AFECTA EL SABOR O COMPOSICION DEL AGUA.

? LA REJILLA DELANTERA DEBE ESTAR LIBRE DE POLVO O PELUSAS PARA PERMITIR LA LIBRE CIRCULACION DEL AIRE.

? LA UNIDAD DEBE SER DESCONGELADA APROXIMADAMENTE CADA 4-6 SEMANAS O CUANDO VEA ESCARCHA DE MAS DE 1/4" (7 MM) DE ESPESOR EN LAS PAREDES. PARA DESCONGELAR, APAGUE LA UNIDAD, VACIE EL DEPOSITO DE HIELO Y MANTENGA LA PUERTA ABIERTA POR LOMENOS 2" (5 CM).

COMO CAMBIAR LA DIRECCION DE APERTURA DE LA PUERTA

EN CASO DE QUE NECESITE CAMBIAR EL LADO DE APERTURA DE LA PUERTA, POR FAVOR CONSULTE AL SERVICIO POS-VENTA DE SU LOCALIDAD.

USANDO SUMAQUINA DE HACER HIELO

ADVERTENCIA

NO USE AGUA HIRVIENDO PORQUE DAÑARA LAS PARTES DE PLASTICO. TAMPOCO USE PUNTAS O INSTRUMENTOS METALICOS PARA RETIRAR LA ESCARCHA YA QUE DAÑARA EL ESPIRAL DE ENFRIAMIENTO Y CANCELARA LA GARANTIA. LE RECOMENDAMOS USAR UNA ESPATULA DE PLASTICO.

CUIDADO Y MANTENIMIENTO

✍ **LIMPIANDO SU MAQUINA DE HACER HIELO**

? EMPUJE EL CONTROL A "OFF". DESCONECTE EL APARATO Y RETIRE LOS HIELOS.

? LAVE EL INTERIOR CON AGUA TIBIA Y UN PAÑO SUAVE REMOJADO EN UNA SOLUCION DE BICARBONATO DE SODIO. LA SOLUCION CONSISTE EN 2 CUCHARADAS DE BICARBONATO DE SODIO EN UN LITRO DE AGUA.

? LAVE LA CANASTA DE ALMACENAJE CON UN DETERGENTE SUAVE.

? LAS PARTES EXTERNAS DE SU MAQUINA DEBEN SER LIMPIADAS CON UN DETERGENTE SUAVE Y AGUA TIBIA.

? EL ESPIRAL DEL CONDENSADOR DEBE SER LIMPIADO CUANDO ESTE SUCIO O TENGA POLVO.

ADVERTENCIA

ASEGURESE DE DESCONECTAR LA MAQUINA DE HACER HIELO DE LA CORRIENTE ELECTRICA. SI NO LO HACE, PUEDE OCASIONAR UN CHOQUE ELECTRICO O HERIRSE.

SIFALLA EL SUMINISTRO ELECTRICO

USUALMENTE LA ELECTRICIDAD REGRESA EN UNAS POCAS HORAS SIN AFECTAR LA TEMPERATURA DE SU MAQUINA DE HACER HIELO, SIEMPRE QUE LA PUERTA NO SE ABRA MUY FRECUENTEMENTE. SI LE VA FALTAR ELECTRICIDAD POR UN PERIODO DE TIEMPO MAS LARGO, USTED DEBE TOMAR LOS PASOS APROPIADOS PARA PROTEGER SU ELECTRODOMESTICO.

GUIA PARA SOLUCIONAR PROBLEMAS

PROBLEMA	SOLUCION
SU ELECTRODOMESTICO NO FUNCIONA	NO ESTA CONECTADO A LA CORRIENTE ELECTRICA. EL INTERRUPTOR SALTO O SE QUEMO UN FUSIBLE EL CONTROL ESTA EN "OFF"
EL COMPRESOR SE ENCIENDE Y SE APAGA FRECUENTEMENTE	LA TEMPERATURA DE LA HABITACION ES MAS CALIENTE DE LO NORMAL. LA PUERTA PERMANECE ABIERTA MUCHO TIEMPO. LA PUERTA NO QUEDO COMPLETAMENTE CERRADA. LA EMPAQUETADURA DE LA PUERTA NO ESTA SELLADA ADECUADAMENTE. LA MAQUINA DE HACER HIELO NO TIENE EL SUFICIENTE ESPACIO LIBRE. HAY MUCHA ESCARCHA. DESCONGELAR INMEDIATAMENTE.
VIBRACION. SONIDO DE BURBUJEO, GOTEO, COMO AGUA QUE HIERVE O CRUJIDOS.	ASEGURESE QUE LA MAQUINA DE HACER HIELO ESTE UBICADA EN UN LUGAR TOTALMENTE PLANO. ESTO ES NORMAL. ES EL REFRIGERANTE (USADO PARA ENFRIAR LA MAQUINA DE HACER HIELO) QUE ESTA CIRCULANDO A TRAVES DEL SISTEMA. LA CONTRACCION Y EXPANSION DE LAS PAREDES INTERNAS PUEDE OCASIONAR SONIDOS COMO CRUJIDOS.
LA PUERTA NO CIERRA COMPLETAMENTE	LA MAQUINA DE HACER HIELO NO ESTA TOTALMENTE NIVELADA. LA DIRECCION DE APERTURA DE LA PUERTA FUE INVERTIDA PERO INSTALADA INCORRECTAMENTE. EL SELLADOR DE LA PUERTA ESTA SUCIO. LA CANASTA DE ALMACENAJE ESTA FUERA DE SU SITIO OBSTACULIZANDO EL CIERRE DE LA PUERTA.

PRINTED IN CHINA