



# **KitchenAid**

BUILT-IN DISHWASHER

*KD-18 SERIES*

## **INSTALLATION INSTRUCTIONS**

### **MR. INSTALLER: HAVE YOU CHECKED!**

#### **PLACEMENT OF DISHWASHER**

- 1. Remove styrofoam packing blocks from top and corrugated motor block packing from rear of unit after dishwasher is removed from skid.
- 2. Properly positioned—level, aligned and square with cabinet opening.
- 3. Anchored securely, either to cabinet or floor.
- 4. Installation debris removed from under dishwasher.

#### **ELECTRICAL CONNECTION**

- 1. Separate 115 volt, 60 hertz, 1 phase branch with a 15 ampere capacity protected by a maximum of 15 ampere fuse size.
- 2. Dishwasher properly grounded.
- 3. All connections in conformance with local electrical code.

#### **PLUMBING**

- 1. Water supply at dishwasher: 20 to 120 P.S.I. pressure, temperature of 140° F. to 160° F. and 1/2" O.D. (min.) copper tube.
- 2. Drain lines at least 5/8" O.D. copper tubing or equivalent without drain air gap and with no tight bends (kinks) or other restrictions to prevent complete draining.
- 3. Drain lines at least 9/16" I.D. copper tubing or equivalent with drain air gap and with no tight bends (kinks) or other restrictions to prevent complete draining.
- 4. Compliance with all aspects of local plumbing code.
- 5. Make sure drain hose does not touch any electrical components or terminals.

#### **OPERATIONAL**

- 1. All internal packing material and labels and door pads removed.  
Place detergent in both compartments of detergent dispenser, close cover(s) and operate dishwasher through complete "Normal Cycle." Note: KDC has cover over only one of two compartments.

Check: Proper Fill—Water level approximately 1-1/2" below centerline of 4 Way Hydro Sweep tubes. Complete Drain.

Detergent Dispenser—must operate automatically and completely dispense detergent.

Dishracks, for freedom of movement and adjustment.

### **THANK YOU MR. INSTALLER:**

1. Complete Installation Check List.
2. Leave all literature (Incl. Check List) for customer.
3. Notify dealer that electrical work and plumbing are completed.

**FOR DETAILED INSTRUCTIONS, FOLLOW METHODS DESCRIBED IN THIS FOLDER**

# **IMPORTANT: Read Before Installing to Save Time, Work, assure proper performance, and owner's warranty protection.**

## **KD-1K INSTALLATION KIT**

An installation kit (KD-1K) for KitchenAid dishwashers is available from your local KitchenAid dealer. This kit contains all parts and complete instructions needed for replacing almost any old dishwasher, or for a new dishwasher installation.

The KD-1K installation kit includes the following items:

Flexible Drain Hose, Copper Inlet Tubing, Double Compression Union, Double Compression Elbow, Step-down Adapter, Strain Relief Bushing, Wire Nuts, and Hose Clamps.

### **CABINETY**

Opening for dishwasher should be 24" wide by approximately 34-1/2" high. Remove all obstructions at the upper rear of the opening—see Step 1 below.

### **ELECTRICAL SPECIFICATIONS**

Voltage & Frequency — 115 volts—60 hertz  
Operating load ———— 13.5 amperes—KDS-18  
7.9 amperes—KDC-18,  
KDI-18 and  
KDP-18

Maximum Fuse Size — 15 amperes

Wiring must conform to local code and/or Nat. Electrical Code.

### **PLUMBING SPECIFICATIONS**

Plumbing must conform to local code. Use 1/2" O.D.

copper tube for water line. Dishwasher has 3/8" I.P.S. internal thread at valve. A 90° compression ell (furnished) should be used to connect tubing to valve. Water flow pressure at dishwasher to be 20 PSI to 120 PSI. Water temperature at dishwasher should be 140° F. to 160° F. Drain size requires minimum 5/8" O.D. copper tubing without air gap. Drain line requires min. 9/16" I.D. copper tubing with air gap, not furnished.

**CAUTION:** Avoid getting joint compound inside new joints. Hot water fill line must be flushed of foreign matter before connection to dishwasher fill valve. A hand shut off valve (not furnished) should be located in an easily accessible area adjacent to the dishwasher.

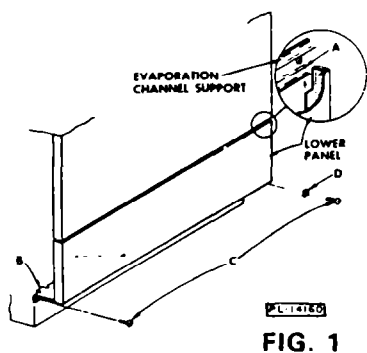


FIG. 1

# **INSTALLATION INSTRUCTIONS**

Locate top of lower panel just below evaporation channel support. Insert panel flange under evaporation channel support ends "A" and push up to engage top of panel. Lift up lower bottom flange of panel, place flange "B" over front face of frame and push in. Assemble lock washer "D" under head of one screw to ground panel to dishwasher. Fasten panel with two screws "C" furnished. If a wood or laminate front is to be used and these panels are not immediately available, use back-up panel furnished with trim kit. Stainless steel trim should be used to assemble wood or laminate when available. Reverse procedure when removing lower panel.

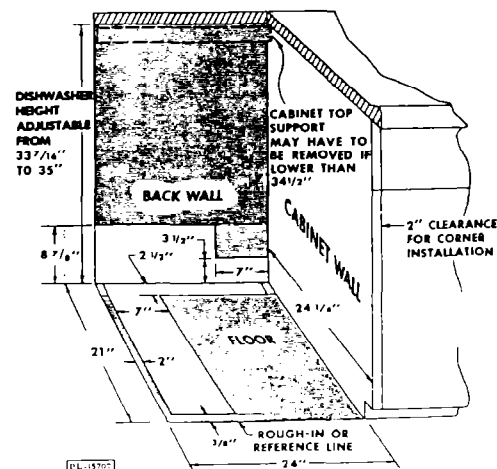
## **① CABINET OPENING**

For dishwasher to be flush with adjacent cabinets, there must be a minimum of 24" under counter cabinet depth available for installation. When a 1/4" wood panel (lower front panel, 6-5/8" high, 23-11/16" wide; door front panel, 18-7/8" high, 23-11/16" wide) with trim kit is used the dishwasher must have minimum of 24-1/4" cabinet depth. To establish a reference line for purposes of providing plumbing and electrical connections to the dishwasher, measure 21" from the wall. (This is the front edge of dishwasher kick panel. There is a 3" toe space from the front of the kick panel to the front edge of the dishwasher with a standard metal front panel.) Cabinets 23-1/2" to 23-5/8" deep from wall to front of cabinet may be accommodated by removing dry or plaster wall, baseboard and quarter round directly behind the dishwasher.

NOTE: For corner installation, allow 2" clearance for adjacent cabinet.

CAUTION: Make sure dishwasher is not installed under a surface burner or warming plate where the heat would damage the constant rinse (Upper spray) assembly.

SHADED AREA SHOULD BE FREE OF ALL PLUMBING AND ELECTRICAL CONNECTIONS



DL-13707

## ② HOT WATER SUPPLY LINE

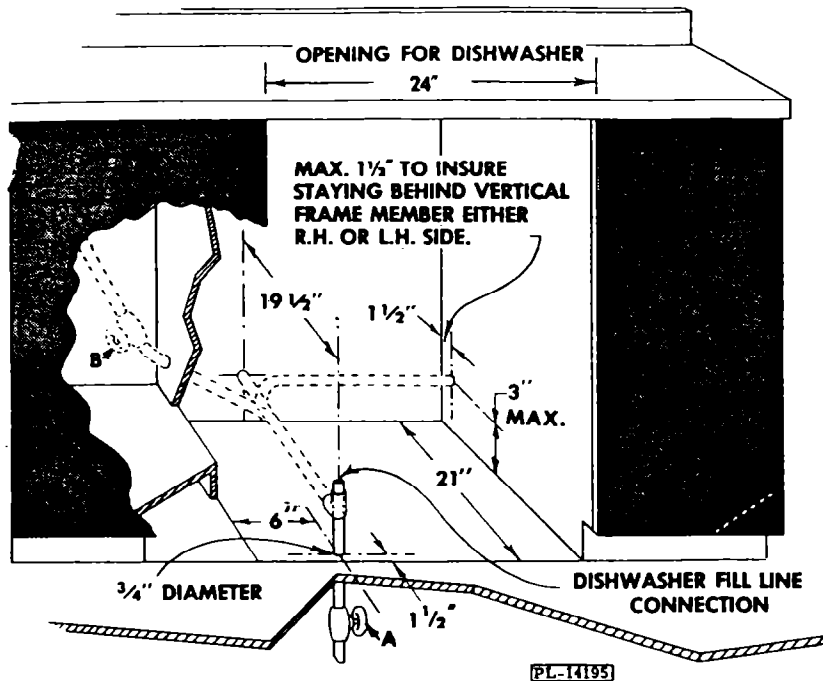


FIG. 3

If the fill line comes from either right or left, it must be installed behind the vertical frame members which are 2-9/16" from the wall. Locate fill line according to FIG. 3. For roughing-in purposes, locate 3/4" hole 19-1/2" from back wall and 6 inches from left edge of cabinet. For other typical fill line installations such as water line from back see alternate (dotted line) suggestions.

All sweat fittings for 1/2" O.D. copper tubing must be sweat into place before attaching to dishwasher to prevent excess heat on fill valve. Make certain that there is a hand shut off valve (A or B, Fig. 3) in the hot water supply line.

To conveniently service dishwasher, it is recommended a union be connected in the fill line.

## ③ DRAIN SYSTEM

The dishwasher is equipped with a pump type drain. Except during drain periods, drain valve is closed thus protecting the dishwasher from normal back flow from drain line. Dishwasher can be connected to a drain line through the back wall to a sink or disposer to either right or left side or to an air gap. Note figure 4 for dimensions for locations of drain line. Note figure 2 for area to be kept free of all plumbing connections. Connect a 9/16" I.D. minimum drain line (furnished by installer) to drain valve. When flexible hose is used, it must be resistant to heat and

detergent water. When copper tubing is used, make the connection to drain valve using a short length of flexible hose and clamps. Flexible drain hose and clamps are furnished in KD-1K installation kit available from your local KitchenAid dealer or distributor. Drain connections must be in compliance with local codes. Do not install check valve in drain line. When connecting dishwasher drain to a food waste disposer, be sure to remove the knockout (or threaded) plug in the disposer to insure proper drainage.

**NOTE: Do Not Kink Drain Hose.**  
**Minimum Size For All Dishwasher Drains Is 9/16" I.D.**  
**A Drain Gap May Be Required. Consult Your Local Codes.**

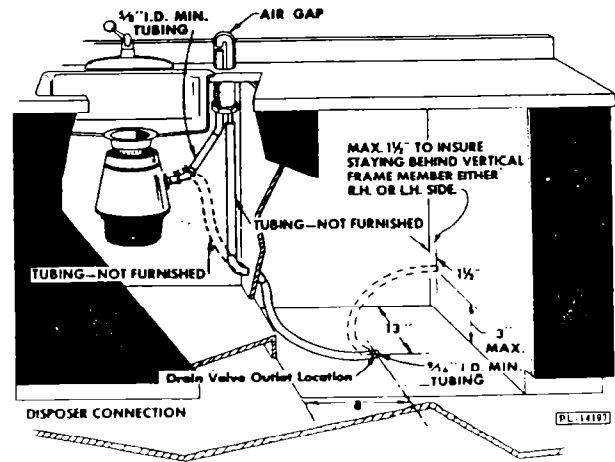
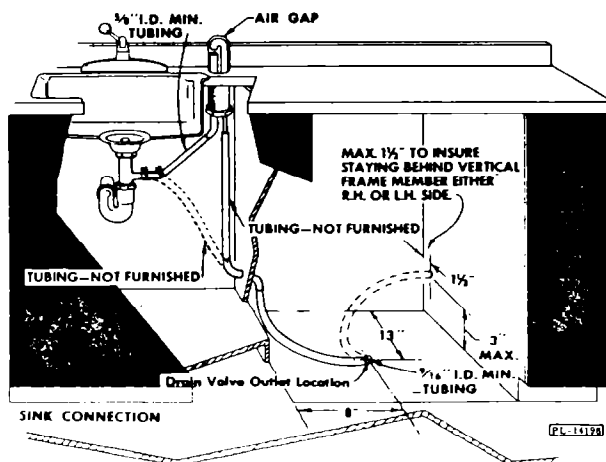


FIG. 4

### ③ DRAIN SYSTEM (Cont.)

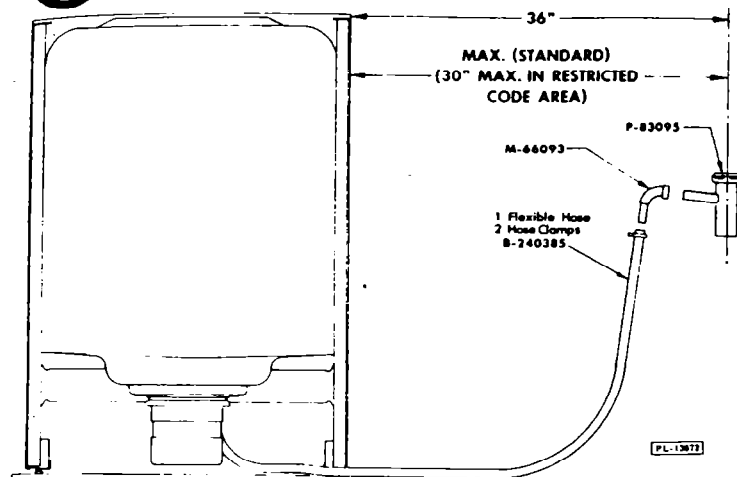


FIG. 5

NOTE: Drain Hose #B-240385 may be used to connect dishwasher with disposer unit, or to sink drain using Tee P-83095 or elbow M-66093 (available as accessories).

CAUTION: Make sure drain hose does not touch any electrical components or terminals.

Drain hose must withstand hot water and detergent and can be obtained from a plumbing hardware or automotive supply outlet.

Other accessories available from your dealer or distributor are:

#### Top Kits

Rinse Agent Kit

Front Trim Kit

Side Panel Kits

Front Panel Kits

### ④ ELECTRICAL SUPPLY LINE

Before setting dishwasher in place, run individual 15 amp. minimum branch circuit with grounded electrical cable. (A, Fig. 6) shows routing methods for the electrical supply line hook-up to the KitchenAid dishwasher. CAUTION: No other outlets or appliances should be on this circuit.

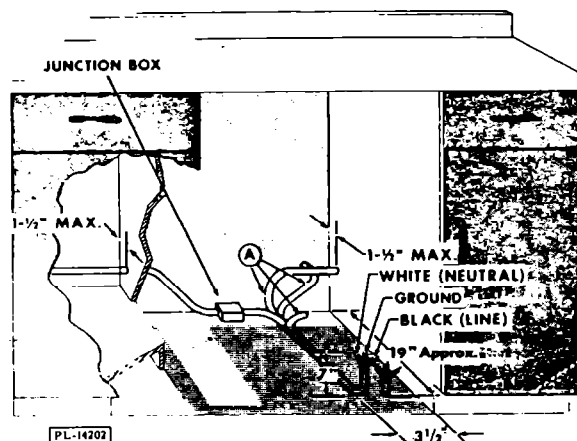


FIG. 6

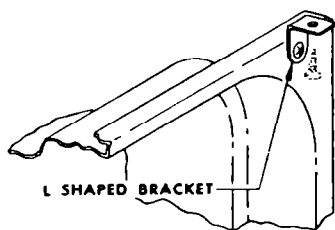
## FINAL INSTALLATION

### ① POSITIONING AND ANCHORING DISHWASHER

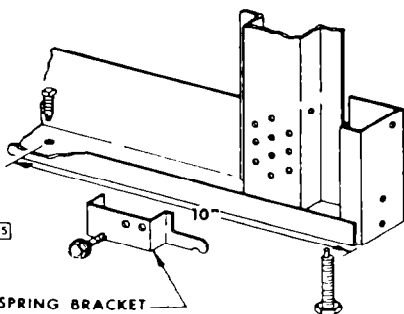
Remove styrofoam packing blocks and corrugated motor block packing after dishwasher is removed from skid. Remove protector panel before front panels are installed. Check the upper

rear portion of the cabinet opening to make certain that area is cleared of cabinet or top support framing members. Set the dishwasher adjacent to cabinet and adjust the four leveling feet to the desired height. The four leveling feet can be used to raise the dishwasher to 35" or lower to 33-11/16" (33-7/16" if leveling screws are removed). Adjust kickplate. Kickplate can be adjusted by moving up or down.

After the dishwasher is in position, make sure it is level from side to side and front to rear. If possible dishwasher front should be parallel to counter top and flush with cabinets. To maintain alignment of dishwasher with adjacent cabinets, fasten dishwasher to counter top with two #10 flat head wood screws (not furnished). Use these screws in the two L shaped adjustable brackets (furnished) at the upper left and right hand corners of the dishwasher. When dishwasher is not installed beneath a continuous counter top it may be necessary to anchor dishwasher to floor using 1/4" lag bolt or screw, in hole provided. If door tension adjustment is required, adjust door spring so the door is counterbalanced and will remain in open position. Adjust tension by changing bracket to alternate holes and/or moving spring hooks to alternate position.



L SHAPED BRACKET



PL-13585

DOOR SPRING BRACKET

FIG. 7

## ② CONNECTING HOT WATER SUPPLY LINE

Make certain fill line has been flushed clear of foreign materials. Use compression ell (furnished) to connect 1/2" O.D. copper fill line to dishwasher fill valve. Make sure fill line has no sharp bends (5" min. bend radius suggested) that may produce kinks which might restrict water flow. Connect fill line to meet local plumbing codes.

## ③ CONNECTING DRAIN LINE

Connect dishwasher drain to meet local plumbing code. See suggested installations FIG. 4. See note for available drain accessories.

## ④ CONNECTING ELECTRICAL POWER SOURCE

A—Remove junction box on dishwasher. B—Install approved connector (not furnished). C—Connect power cable white lead to white lead and black lead to black lead with adequate insulation or wire nuts and ground wire under green ground screw or lug. Reinstall junction box.

When house wiring is aluminum, use U.L. approved aluminum to copper connectors.

The dishwasher must be properly grounded before operating by connecting to a suitable ground complying with National Electrical Code and/or local electrical code.



FIG. 8

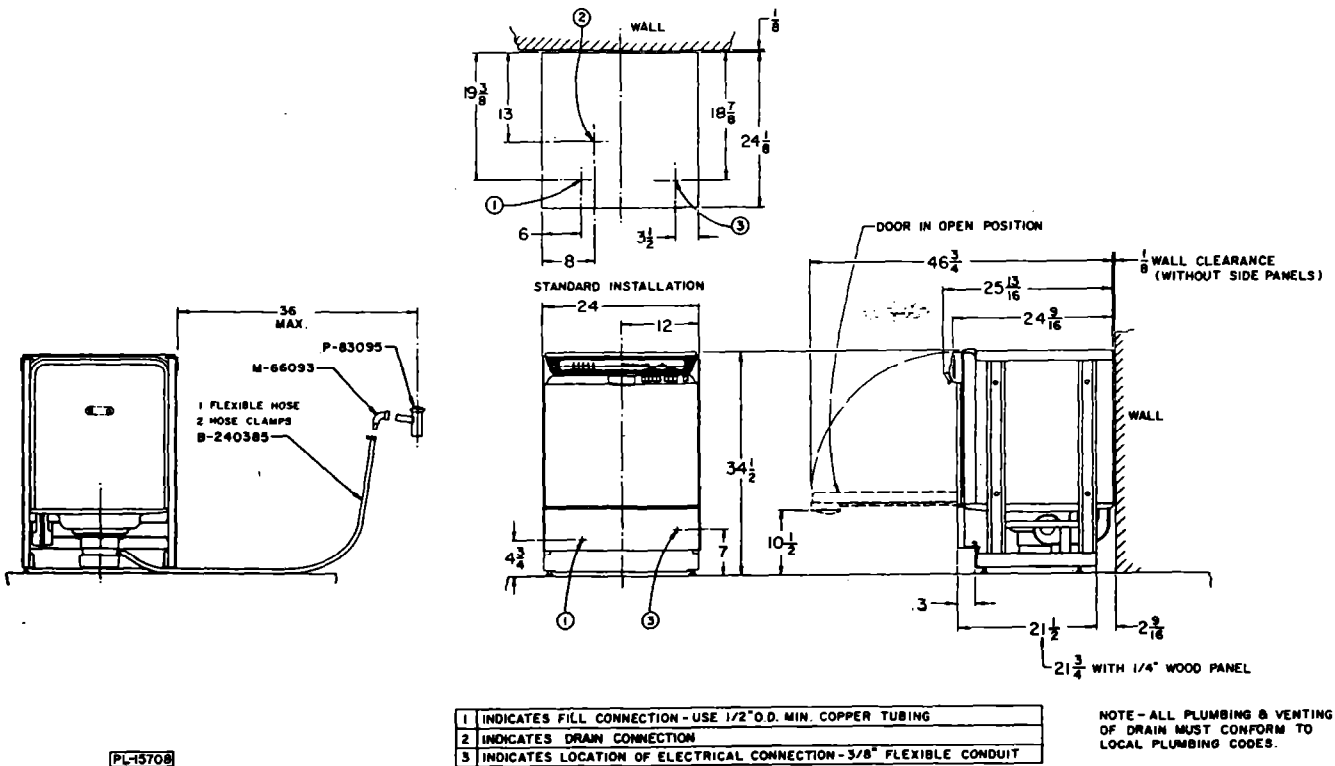
## ⑤ TESTING INSTALLATION

Remove installation debris from under dishwasher, foam door pads on each side and near top of tank, and all internal packing material and labels.

Install front and lower panels per instructions supplied with panel kits. Turn on electrical power and water supply. Turn Action Indicator clockwise to the OFF position (Custom and Imperial models). On Superba model, press "Cancel-Drain" button; timer will advance to "OFF" automatically. Lift door handle. Wait for Timer to automatically reset itself (necessary for

initial installation test of Superba only). Then, push door handle down to lock position and press "Normal Cycle" button. Run dishwasher through the complete cycle to make certain it is operating properly. Turn off electrical power, remove lower panel and check for leaks. Reinstall lower panel and turn on electrical power.

# DETAILS AND CONNECTIONS



## CAUTION

For installation when the dishwasher is to be left unused in freezing temperatures: Turn off electrical power and shut off water supply at the hand valve. Remove lower panel. Disconnect both inlet and outlet lines at the DRAIN valve. This permits water to drain from the dishwasher tank, pump and drain line. Disconnect both the inlet and outlet lines at the FILL valve. Make provisions to control water drained from unit. Reinstall lower panel. Turn on electrical power. Then, push door handle down to lock position and push "Normal Cycle" button. Let dishwasher run

through first pre-rinse only (approximately four minutes) to drain all water trapped in the dishwasher. Turn off electricity. To complete installation later:

Connect drain and fill valves-both inlet and outlet.

Reinstall lower panel.

Turn on water and electrical supply. Then push button for cycle desired.

KITCHENAID DIVISION

**HOBART**  
CORPORATION

TROY, OHIO 45374