



**45549128**  
Edition 1  
January 2008

# Brushless Electric Screwdrivers

**Models ELB2612N, ELB2620N, EPB2612N and  
EPB2620N**

---

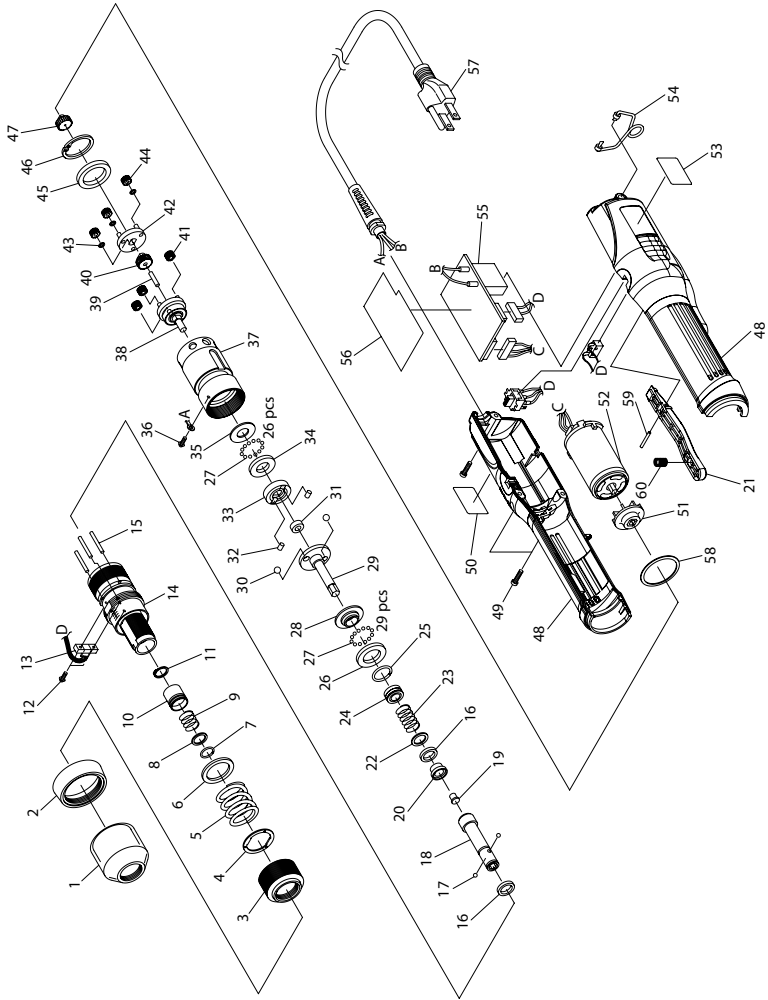
## Parts Information



Save These Instructions

 **Ingersoll Rand**

# Models ELB2612N and ELB2620N Brushless Electric Screwdrivers Exploded Diagram

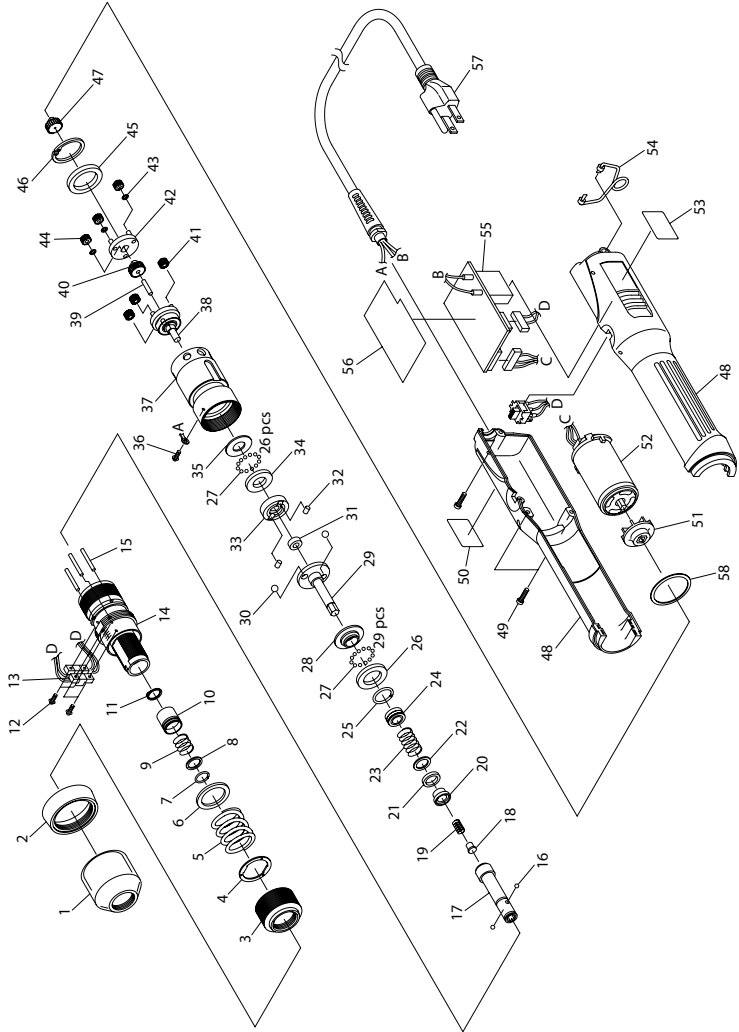


(Dwg. 45574563)

## Models ELB2612N and ELB2620N Brushless Electric Screwdrivers Parts List

| Item | Part Description                                | Part Number | Item | Part Description                     | Part Number  |
|------|---|-------------|------|--------------------------------------|--------------|
| 1    | Torque Adjustment Ring Cover                    | TV05143     | 34   | Thrust Plate                         | TV04434      |
| 2    | Coupling (ELB2612N type)                        | TV05128     | 35   | Washer                               | TV04540      |
|      | Coupling (ELB2620N type)                        | TV05149     | 36   | Screw M2.6 x 4L                      | TV00438      |
| 3    | Torque Adjustment Ring                          | TV04534     | 37   | Gear Case Assembly (ELB2612N type)   | TD05043      |
| 4    | Bearing Plate Assembly                          | TD04385     |      | Gear Case Assembly (ELB2620N type)   | TD05075      |
| 5    | Clutch Spring (High Torque Spring)              | TV04593     | 38   | Gear Base A Assembly (ELB2612N type) | TD05070      |
|      | Clutch Spring (Low Torque Spring F Accessories) | TV05146     |      | Gear Base A Assembly (ELB2620N type) | TD05071      |
| 6    | Washer  | TV05123     | 39   | Roller Pin 3 Dia. x 13.8L            | TV04592      |
| 7    | Stop Ring                                       | TV00149     | 40   | Spindle Gear 19 (ELB2612N type)      | TV05125      |
| 8    | Holder Collar                                   | TV05124     |      | Spindle Gear 23 (ELB2620N type)      | TV05258      |
| 9    | Holder Spring                                   | TV00356     | 41   | Idle Gear 14 (ELB2612N type) (3)     | TV05171      |
| 10   | Holder Clamp                                    | TV05126     |      | Idle Gear 13 (ELB2620N type) (3)     | TV05259      |
| 11   | Stop Ring                                       | LP10494     | 42   | Gear Base B Assembly (ELB2612N type) | TD05110      |
| 12   | Screw M2.6 x 8L (2)                             | TV04553     |      | Gear Base B Assembly (ELB2620N type) | TD05111      |
| 13   | Sensor Assembly                                 | TD05415     | 43   | Spacer (3)                           | TV00147      |
| 14   | Clutch Case Assembly                            | TD05195     | 44   | Idle Gear 17 (ELB2612N type) (3)     | TV05172      |
| 15   | Roller Pin 2.5 Dia. x 21.8L (3)                 | TV04543     |      | Idle Gear 13 (ELB2620N type) (3)     | TV05257      |
| 16   | Spacer (2)                                      | TV05420     | 45   | Washer                               | TV04289      |
| 17   | Steel Ball 2.381 Dia. (2)                       | CP20000     | 46   | Stop Ring                            | TV00140      |
| 18   | Bit Holder                                      | TV05165     | 47   | Motor Gear 13 (ELB2612N type)        | TV05132      |
| 19   | Stopper   | TV05256     |      | Motor Gear 23 (ELB2620N type)        | TV05260      |
| 20   | Magnet Plate F                                  | TV04659     | 48   | Frame Handle Assembly                | TD05701      |
| 21   | Lever   | TV05378     | 49   | Screw M3 x 12L (3)                   | TV02746      |
| 22   | Spacer  | TV04545     | 50   | Warning Label                        | EPB2612N-99  |
| 23   | Spring  | TV04665     | 51   | Fan Assembly                         | TD05039      |
| 24   | Brake Magnet Assembly                           | TD05403     | 52   | Motor Assembly                       | TD05404      |
| 25   | Stop Ring                                       | TV04428     | 53   | Model Label (ELB2612N)               | ELB2612N-301 |
| 26   | Thrust Plate F                                  | TV04662     |      | Model Label (ELB2620N)               | ELB2620N-301 |
| 27   | Steel Ball 2 Dia. (55)                          | TV00121     | 54   | Suspension Bail                      | TD00585      |
| 28   | Cam Ring  | TV04661     | 55   | Control Base Assembly                | TD05545      |
| 29   | Cam Guide                                       | TV05145     | 56   | Insulated Film                       | TV05326      |
| 30   | Steel Ball 5 Dia. (2)                           | TP15428     | 57   | Power Cord Assembly                  | TD05102      |
| 31   | Spacer  | TV04751     | 58   | Washer                               | TV04670      |
| 32   | Roller Pin 3.5 Dia. x 5L (2)                    | TV04538     | 59   | Roller Pin 2 Dia. x 15.8L            | TQ11207      |
| 33   | Cam   | TV04433     | 60   | Spring                               | TV00235      |

# Models EPB2612N and EPB2620N Brushless Electric Screwdrivers Parts List



(Dwg. 45574589)

## Models EPB2612N and EPB2620N Brushless Electric Screwdrivers Parts List

| Item | Part Description                                | Part Number | Item | Part Description                     | Part Number  |
|------|---|-------------|------|--------------------------------------|--------------|
| 1    | Torque Adjustment Ring Cover                    | TV05143     | 33   | Cam                                  | TV04433      |
| 2    | Coupling (EPB2612N type)                        | TV05128     | 34   | Thrust Plate                         | TV04434      |
|      | Coupling (EPB2620N type)                        | TV05149     | 35   | Washer                               | TV04540      |
| 3    | Torque Adjustment Ring                          | TV04534     | 36   | Screw M2.6 x 4L                      | TV00438      |
| 4    | Bearing Plate Assembly                          | TD04385     | 37   | Gear Case Assembly (EPB2612N type)   | TD05043      |
| 5    | Clutch Spring (High Torque Spring)              | TV04593     |      | Gear Case Assembly (EPB2620N type)   | TD05075      |
|      | Clutch Spring (Low Torque Spring F Accessories) | TV05146     | 38   | Gear Base A Assembly (EPB2612N type) | TD05070      |
| 6    | Washer  | TV05123     |      | Gear Base A Assembly (EPB2620N type) | TD05071      |
| 7    | Stop Ring                                       | TV00149     | 39   | Roller Pin 3 Dia. x 13.8L            | TV04592      |
| 8    | Holder Collar                                   | TV05124     | 40   | Spindle Gear 19 (EPB2612N type)      | TV05125      |
| 9    | Holder Spring                                   | TV00356     |      | Spindle Gear 23 (EPB2620N type)      | TV05258      |
| 10   | Holder Clamp                                    | TV05126     | 41   | Idle Gear 14 (EPB2612N type) (3)     | TV05171      |
| 11   | Stop Ring                                       | LP10494     |      | Idle Gear 13 (EPB2620N type) (3)     | TV05259      |
| 12   | Screw M2.6 x 8L (4)                             | TV04553     | 42   | Gear Base B Assembly (EPB2612N type) | TD05110      |
| 13   | Sensor Assembly                                 | TD05198     |      | Gear Base B Assembly (EPB2620N type) | TD05111      |
| 14   | Clutch Case Assembly                            | TD05195     | 43   | Spacer (3)                           | TV00147      |
| 15   | Roller Pin 2.5 Dia. x 21.8L (3)                 | TV04543     | 44   | Idle Gear 17 (EPB2612N type) (3)     | TV05172      |
| 16   | Steel Ball 2.381 Dia. (2)                       | CP20000     |      | Idle Gear 13 (EPB2620N type) (3)     | TV05257      |
| 17   | Bit Holder                                      | TV05165     | 45   | Washer                               | TV04289      |
| 18   | Stopper   | TV05256     | 46   | Stop Ring                            | TV00140      |
| 19   | Push Spring                                     | TV05255     | 47   | Motor Gear 13 (EPB2612N type)        | TV05132      |
| 20   | Magnet Plate F                                  | TV04659     |      | Motor Gear 23 (EPB2620N type)        | TV05260      |
| 21   | Magnet  | TV04546     | 48   | Frame Handle Assembly                | TD05700      |
| 22   | Spacer  | TV04545     | 49   | Screw M3 x 12L (3)                   | TV02746      |
| 23   | Spring  | TV04665     | 50   | Warning Label                        | EPB2612N-99  |
| 24   | Brake Magnet Assembly                           | TD05403     | 51   | Fan Assembly                         | TD05039      |
| 25   | Stop Ring                                       | TV04428     | 52   | Motor Assembly                       | TD05404      |
| 26   | Thrust Plate F                                  | TV04662     | 53   | Model Label (EPB2612N)               | EPB2612N-301 |
| 27   | Steel Ball 2 Dia. (55)                          | TV00121     |      | Model Label (EPB2620N)               | EPB2620N-301 |
| 28   | Cam Ring  | TV04661     | 54   | Suspension Bail                      | TD00585      |
| 29   | Cam Guide                                       | TV05145     | 55   | Control Base Assembly                | TD05545      |
| 30   | Steel Ball 5 Dia. (2)                           | TP15428     | 56   | Insulated Film                       | TV05326      |
| 31   | Spacer  | TV04751     | 57   | Power Cord Assembly                  | TD05102      |
| 32   | Roller Pin 3.5 Dia. x 5L (2)                    | TV04538     | 58   | Washer                               | TV04670      |

### Parts and Maintenance

When the life of the tool has expired, it is recommended that the tool be disassembled, degreased and parts be separated by material so that they can be recycled.

Tool repair and maintenance should only be carried out by an authorized Service Center.

Refer all communications to the nearest **Ingersoll Rand** Office or Distributor.

### Related Documentation

For additional information refer to:

Product Safety Information Manual 16602963.

Product Information Manual 45549110.

Maintenance Information Manual 45549136.

Manuals can be downloaded from [www.irtools.com](http://www.irtools.com).

---

**Notes:**

**Notes:**

---

[www.irttools.com](http://www.irttools.com)

© 2008 **Ingersoll Rand** Company

