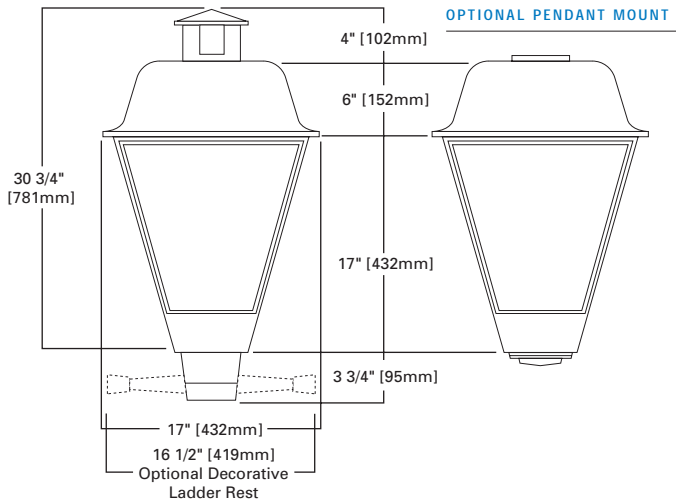


50-250W
MH/HPS/MERCURY

UTR TRADITIONAIRE®

POST-TOP AREA LUMINAIRE



STREETWORKS™

ORDERING INFORMATION

SAMPLE NUMBER: UTR50SR2554

PRODUCT FAMILY	LAMP WATTAGE ²	LAMP TYPE ²	BALLAST TYPE ²	VOLTAGE ²	DISTRIBUTION	OPTIONS + ACCESSORIES (See Below)
UTR=Traditionaire	50=50W 70=70W 10=100W 15=150W ¹ 17=175W 20=200W 25=250W	S=High Pressure Sodium V=Mercury M=Metal Halide ³	H=Reac./HPF N=Hi. Reac./NPF P=Hi. Reac./HPF R=Reac./NPF W=CWA C=CWI	2=120V 0=208V 4=240V 7=277V 8=480V 9=347V W=Multi-Tap wired 120V N=Multi-Tap wired 277V V=Multi-Tap wired 240V	22=Type II 33=Type III ⁴ 55=Type V	

HOUSING + COVER

Hinged (stainless steel hinge pins) die-cast aluminum housing and cover with cupola. Standard color is black polyester powder coat. Other finish colors available. Consult your Streetworks Representative. ¹ ANSI wattage/source label.

REFRACTOR

Injection molded acrylic refractor panels.

SOCKET

Mogul-base porcelain socket. (50-150W MH is medium-base socket standard).

BALLAST

Ballast assembly with encapsulated starter (where used). Tunnel type compression terminal lugs.

MOUNTING

Self-aligning pole-top filler fits 3" O.D. pole tops or vertical tenons. Square headed 1 1/4" polymer coated mounting bolts with a lock nut.

FINISH

Standard polyester powder coat finish in black. For more color options see optional color or consult your Streetworks representative for more information.

OPTIONS + ACCESSORIES [Must be ordered in alphanumeric order]

OPTIONS (add as suffix)

- 4=Photocontrol Receptacle
- WH=White
- BZ=Bronze
- AP=Grey
- B=House Side Shield
- E=Factory Installed Cupola Cover with Cast Aluminum Eagle
- H=Plug-in Starter Receptacle

- J=Factory Installed Ladder Rest
- P=Polycarbonate Lens Panels
- S=Snap Latches for Toolless Lamp Replacement
- T=3/4" Pendant Mount Provision
- U=UL/CSA Listed
- W=20' #10 Leads Installed

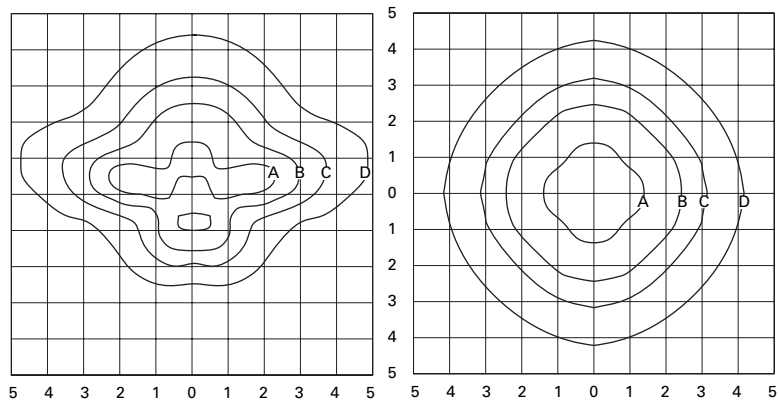
ACCESSORIES (order separately)

- TA1BK=Decorative Ladder Rest for Field Installation
- OA1219=TurGuard Vandal Shield

OPTIONAL COLORS [Standard color is black, other finish colors available. Consult your Cooper Lighting representative]



PHOTOMETRICS [Complete IES files available at www.cooperlighting.com]



UTR25S22.IES
250-Watt HPS
30,000-Lumen Lamp
Type II

UTR25S55.IES
250-Watt HPS
30,000-Lumen Lamp
Type V

FOOTCANDLE TABLE

Select mounting height and read across for footcandle values of each isofootcandle line. Distance in units of mounting height.

Mounting Height	Footcandle Values for Isofootcandle Lines			
	A	B	C	D
UTR25S22.IES				
15'	2.77	1.39	0.69	0.28
20'	1.56	0.78	0.39	0.16
25'	1.00	0.50	0.25	0.10
UTR25S55.IES				
15'	1.77	0.89	0.44	0.18
20'	1.00	0.50	0.25	0.10
25'	0.64	0.32	0.16	0.06

EPA:

Effective Projective Area: 2.3

SHIPPING DATA

Approximate Net Weight: 37 lbs. (17 kgs.)

NOTE: 1 150W units are for S55 Lamps. 2 Refer to technical section for lamp/ballast/voltage compatibility. 3 Medium-base porcelain socket standard for 50-150W MH. 4 Requires coated lamp to achieve Type III distribution.