

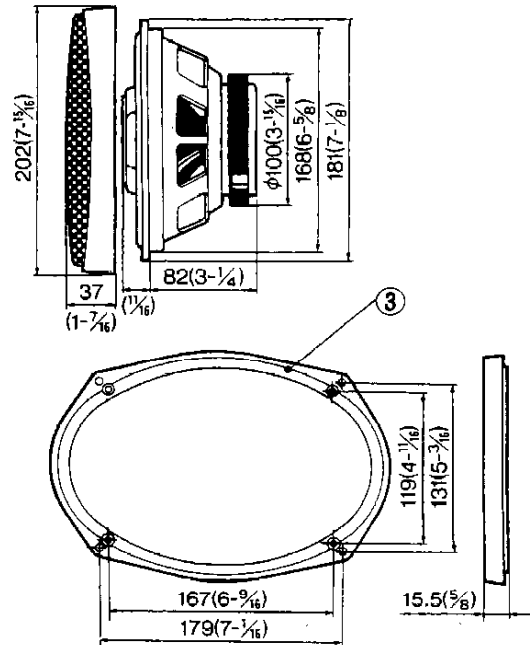
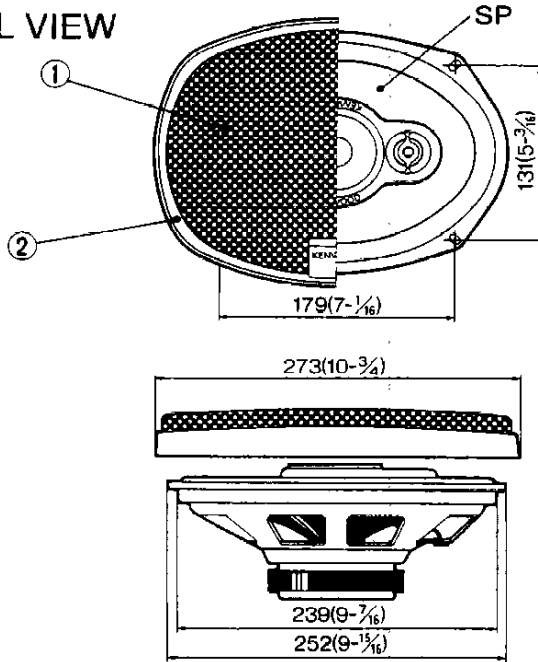
# KFC-7170

## SERVICE MANUAL

# KENWOOD

© 1993-10 PRINTED IN JAPAN  
B51-6658-00(B)1722

### EXTERNAL VIEW



UNIT : mm(inch)

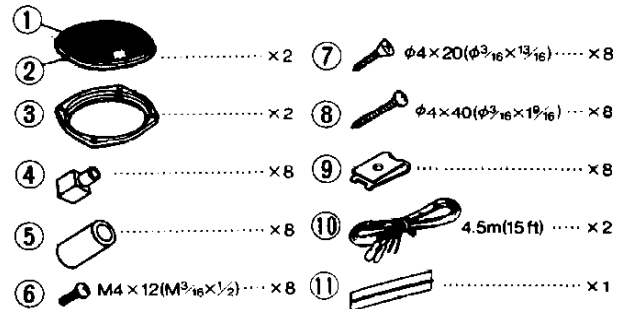
### PARTS LIST

\* New Parts

Parts without Parts No. are not supplied.  
Les articles non mentionnés dans le Parts No. ne sont pas fournis.  
Teile ohne Parts No. werden nicht geliefert.

Ref No.	New Prts	Parts No.	Description
①	*	F09-1081-08	PROTECTOR ASSY
②	*	B06-0815-08	GRILLE
③		J30-0842-08	SPACER
④, ⑥~⑨		N99-1237-08	SCREW SET
⑤		J31-0331-08	COLLAR SET
⑩		E30-5141-08	CORD SET
⑪		J69-0120-08	VISCOUS TAPE
SP	*	T15-0270-08	SPEAKER

### PARTS INCLUDED



### SPECIFICATIONS

Speakers	
Woofer	181 x 252mm (7 x 10 in) Injection P.P. Cone Type 360g (12.7 oz) Magnet
Mid-Range	70mm (2-3/4 in) Water Resistant Cone Type
Tweeter	25mm (1 in) Dome Type
Peak Power	160 Watts
Frequency Response	27Hz ~ 26,000Hz
Sensitivity	92dB/W at 1m
Impedance	4 Ohms
Net Weight With Grille	3,240g (7.1lb)/Pair

KENWOOD follows a policy of continuous advancements in development.  
For this reason specification may be

### KENWOOD CORPORATION

Alive Mikake, 2-5, 1-chome Shibuya, Shibuya-ku, Tokyo 150, Japan  
**KENWOOD SERVICE CORPORATION**  
 P.O. BOX 22745, 2201 East Dominguez St., Long Beach, CA 90801-5745, U.S.A.  
**KENWOOD ELECTRONICS CANADA INC.**  
 6070 Kestrel Road, Mississauga, Ontario, Canada L5T 1S8  
**KENWOOD ELECTRONICS LATIN AMERICA S.A.**  
 P.O. BOX 55-2791, Piso 6 Plaza Chase, Cl. 47 y Aquilino de la Guardia, Panama Republic de Panama  
**TRIO-KENWOOD U.K. LIMITED**  
 Kenwood House, Dwight Road, Watford, Herts, WD1 8EB United Kingdom  
**KENWOOD ELECTRONICS BENELUX N.V.**  
 Mechelsesteenweg 418 B-1930 Zaventem, Belgium  
**KENWOOD ELECTRONICS DEUTSCHLAND GMBH**  
 Rembrucker Str. 15, 63150 Heusenstamm, Germany  
**TRIO-KENWOOD FRANCE S.A.**  
 13 Boulevard Ney, 75018 Paris, France  
**KENWOOD ELECTRONICS ITALIA S.p.A.**  
 Via G. Sirtori, 7/5 20129 Milano, Italy  
**KENWOOD ESPANA S.A.**  
 Bolivia, 239-08020 Barcelona, Spain  
**KENWOOD ELECTRONICS AUSTRALIA PTY. LTD.** (A.C.N. 001 499 074)  
 PO BOX 504, 8 Figtree Drive, Australia Centre, Homebush N SW 2140 Australia  
**KENWOOD & LEE ELECTRONICS, LTD.**  
 Unit 3712-3724, Level 37 Tower 1, Metroplaza, 223 Hing Fong Road  
 Kwai Fong N.T. Hong Kong  
**KENWOOD ELECTRONICS SINGAPORE PTE LTD**  
 No. 1, Geylang Lane, #07-00, Singapore 1314