

Repair Parts List

MODEL NUMBER
MER6772BAW

RANGE

When requesting service or ordering parts, always provide the following information:

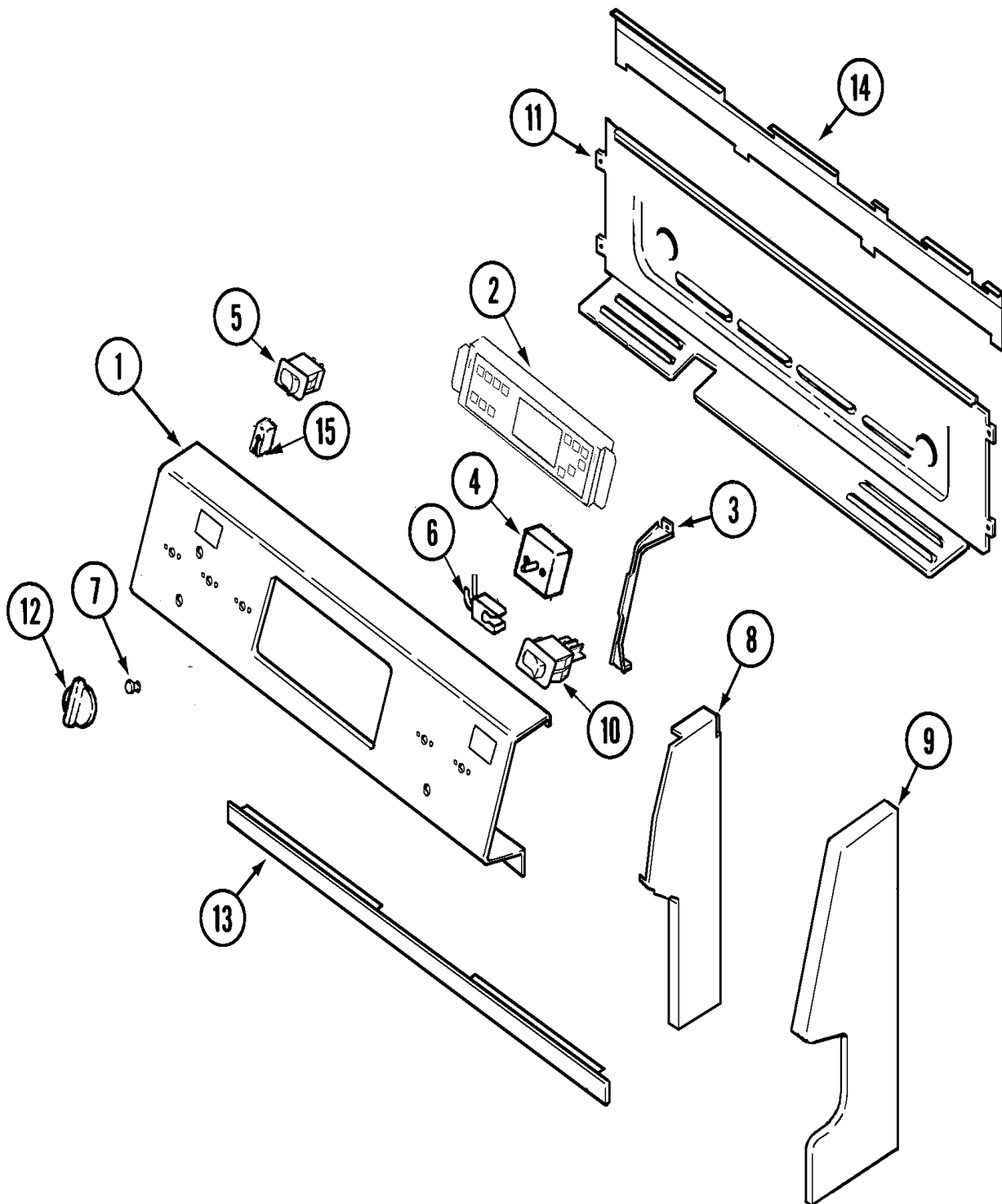
- Product Type
- Part Number
- Model Number
- Part Description

MAYTAG®

©2005 Maytag Services

Section: CONTROL PANEL

Model: MER6772BAW



C10-539

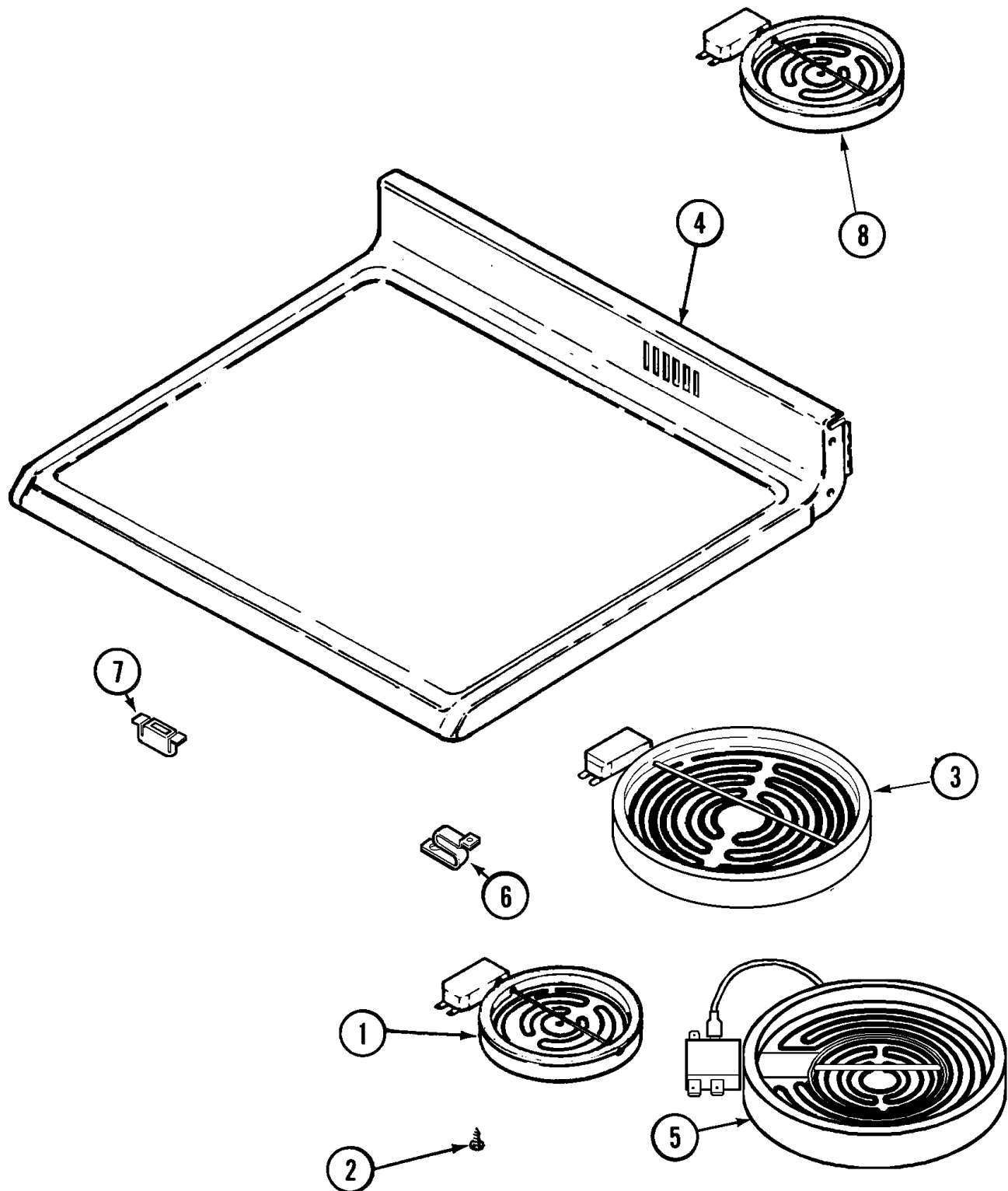
Section: CONTROL PANEL

No.	Part No.	Description	Series	Qty
1	74006626	PANEL, CONTROL (WHT)	10	1
-	74003357	SCREW (6ABX.25-ZN) Note: SCREW, CLOCK	10	4
2	74006213	CLOCK W/OVERLAY (WHT)	10	1
-	7101P348-60	SCREW (WHT) Note: SCREW, BRACKET (WHT)	10	4
3	74005388	BRACKET, CLOCK	10	2
-	7101P309-60	SCREW Note: SCREW, SWITCH	10	6
4	7403P239-60	SWITCH, INFINITE (LRG ELEMENT) Note: SWITCH, ELEMENT (8" ELEMENT)	10	1
4	7403P238-60	SWITCH, INFINITE (SML ELEMENT) Note: SWITCH, ELEMENT (6" ELEMENT)	10	2
4	74003122	SWITCH, INFINITE (DUAL) Note: SWITCH, ELEMENT (DUAL)	10	1
5	74003364	SWITCH, ROCKER (WHT) Note: SWITCH, ROCKER (WHT-WARM CNTR)	10	1
6	74004153	LIGHT, INDICATOR	10	2
7	7730P011-60	LENS, INDICATOR LIGHT	10	3
8	74005393	BRACKET, CONTROL PANEL (LT)	10	1
-	74001530	SCREW (8AB1/2-NI) Note: SCREW, BRACKET	10	2
8	74005392	BRACKET, CONTROL PANEL (RT)	10	1
9	74004548	CAP, END (RT-WHT)	10	1
9	74004549	CAP, END (LT-WHT)	10	1
-	7101P373-60	SCREW (1/2"-WHT) Note: SCREW, END CAP (WHT-1/2")	10	2
-	74002451	SCREW (1 3/16"-WHT) Note: SCREW, END CAP (WHT-1 3/16")	10	4
10	74006468	SWITCH, ROCKER DUAL (WHT)	10	1
- N	7101P338-60	SCREW (8BX3/8-NI) Note: SCREW, HOUSING	10	4
11	74004550	HOUSING, CONTROL PANEL	10	1
12	74003611	KNOB (WHT) Note: KNOB, SWITCH (WHT)	10	4
13	74003374	SHIELD, SIGHT	10	1
- N	7101P338-60	SCREW (8BX3/8-NI) Note: SCREW, SHIELD	10	3
- N	7101P338-60	SCREW (8BX3/8-NI) Note: SCREW, EXTENSION	10	2
14	74006376	EXTENSION, CONTROL PANEL	10	1
15	71003194	LIGHT, INDICATOR (125V) Note: LIGHT, INDICATOR (WARM)	10	1
-	12001323	WIRE/TERMINAL KIT	10	1
-	74005489	HARNESS, DOOR LOCK MOTOR	10	1
-	74006648	HARNESS, MAIN	10	1
-	74006788	HARNESS, TOP/WARMING	10	1
-	74007369	LOCK, PURSE	10	1
-	W10124350	NOT REQUIRED PART OR SEE NOTE Note: PURSE LOCKED REMOVED	13	1
-	W10124350	NOT REQUIRED PART OR SEE NOTE Note: PURSE LOCK REMOVED	14	0
-	74005493	HARNESS, OVEN/LIGHT	10	1
-	74003482	RELAY, AUXILLARY	19	1
-	74005492	HARNESS, SENSOR LOGIC LOCK	10	1
-	74004537	HARNESS, DOOR LOGIC SWITCH	10	1
-	74004687	HARNESS, RELAY	19	1
-	74007644	HARNESS, DOOR LOCK MOTOR	16	1
-	74006647	HARNESS, BKGD/TOP	10	1
-	74009387	HARNESS, MAIN	19	1
-	74005475	GUIDE, COOKING (TRILINGUAL)	10	1
-	74005918	MANUAL, USE & CARE	10	1
-	16010107	MANUAL, SERVICE GEMINI RANGE	10	1
-	74005884	MANUAL, SERVICE (MINI)	10	1

*Color Code (-)=Not Shown #=Series, Serial Prefix or Run No., N=Not Available

Section: TOP ASSEMBLY

Model: MER6772BAW



C15-558

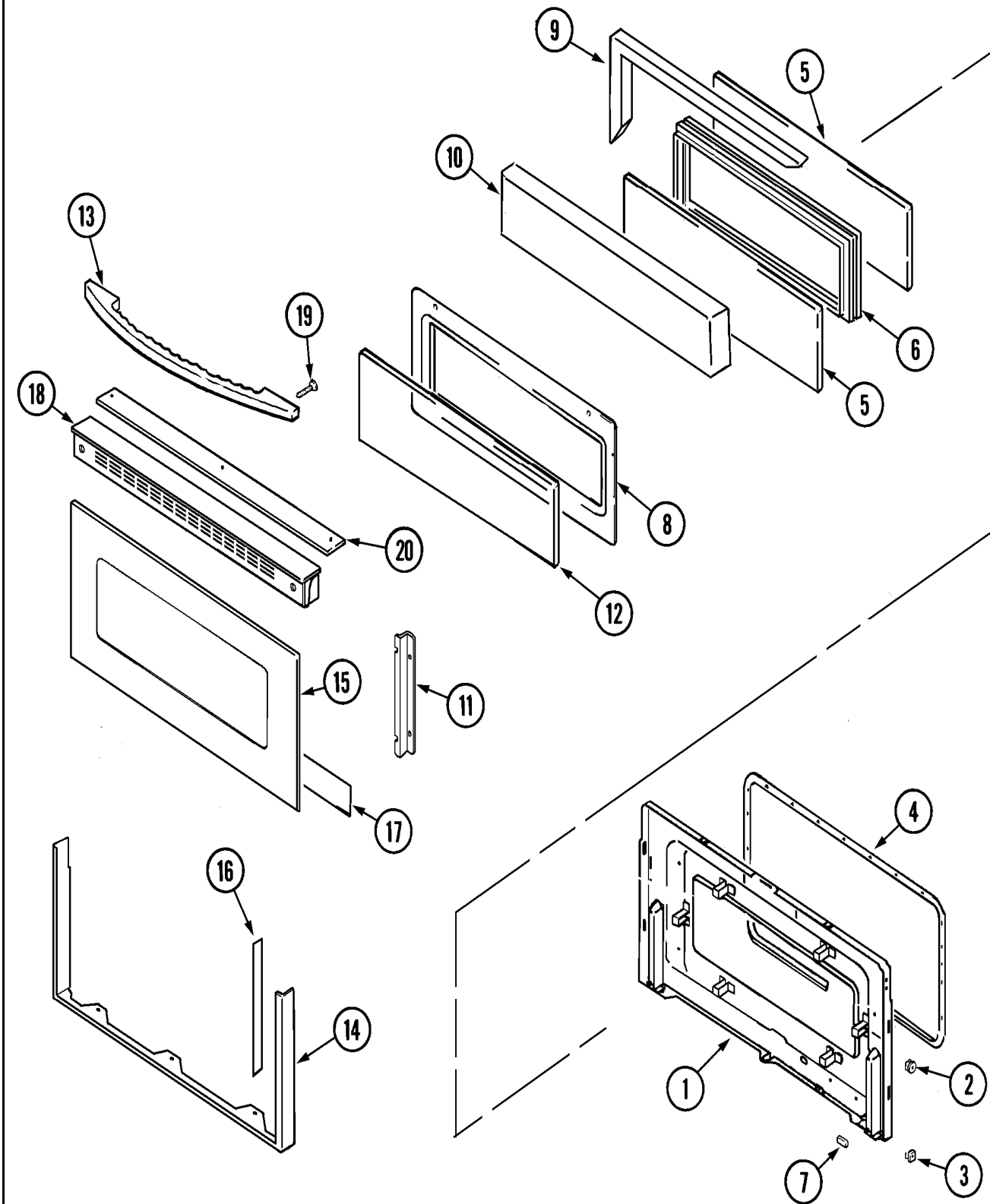
Section: TOP ASSEMBLY

No.	Part No.	Description	Series	Qty
1	74005476	ELEMENT W/LIMITER (6") Note: ELEMENT W/LIMITER (6"-RR/LR)	10	2
2	74003357	SCREW (6ABX.25-ZN) Note: SCREW, ELEMENT/SUPPORT	10	20
3	74005477	ELEMENT W/LIMITER (8") Note: ELEMENT W/LIMITER (8"-LF)	10	1
-	74004558	GLIDE, MAIN TOP	10	2
- N	20001100	PAD, SPONGE (NON ABRASIVE)	10	1
-	20001099	COOKTOP CLEANING CREME 2.5 OZ	10	1
4	74006478	TOP, MAIN (WHT)	10	1
-	74003285	GASKET, VENT	10	1
5	74004556	ELEMENT, DUAL (W/LIMITER) Note: ELEMENT, DUAL (W/LIMITER-RF)	10	1
6	74003072	SUPPORT, CERAMIC ELEMENT Note: SUPPORT, ELEMENT	10	10
7	74006388	INDICATOR, LIGHT	10	1
8	74006584	ELEMENT, W/LIMITER (WARMING) Note: ELEMENT, W/LIMIT (WARM/CNTR)	10	1

*Color Code (-)=Not Shown #=Series, Serial Prefix or Run No., N=Not Available

Section: DOOR (UPPER-BAB/BAQ/BAW)

Model: MER6772BAW



C11-562

Section: DOOR (UPPER-BAB/BAQ/BAW)

No.	Part No.	Description	Series	Qty
1	74004564	LINING, OVEN DOOR	10	1
2	7103P039-60	NUT, SNAP (ROUND-WHT)	10	2
3	74001574	NUT, SNAP (ROUND-BLK) Note: NUT, SNAP (BLK)	10	2
4	74004565	GASKET, OVEN DOOR	10	1
5	74004566	GLASS, DOOR (INNER)	10	2
6	74004567	FRAME, GLASS	10	1
7	74005546	SPACER, RUBBER	10	2
8	74004568	BAFFLE, OVEN DOOR	10	2
9	74004569	INSULATION, DOOR (8.5 X 21.5)	10	2
10	74004570	INSULATION, DOOR (3 X 8.7)-SUB	10	2
11	74004592	RETAINER, GLASS SUPPORT	10	2
-	74001530	SCREW (8AB1/2-NI) Note: SCREW, RETAINER	10	4
12	74004571	GLASS, OVEN DOOR Note: GLASS, DOOR (SECONDARY)	10	1
13	74006381	HANDLE, DOOR (WHT)	10	1
14	74004573	FRAME, DOOR (WHT)	10	1
-	7101P373-60	SCREW (1/2"-WHT) Note: SCREW, FRAME (WHT)	10	2
-	74001530	SCREW (8AB1/2-NI) Note: SCREW, FRAME (CHR)	10	3
15	74006631	GLASS, DOOR (WHT)	10	1
16	74003660	TAPE, FOIL (8.75" X 1")	10	2
17	74004593	TAPE, FOIL (3/4"W-1"L)	10	2
18	74006633	TRIM, DOOR TOP (WHT)	10	1
-	7101P373-60	SCREW (1/2"-WHT) Note: SCREW, TRIM (WHT)	10	2
19	74001530	SCREW (8AB1/2-NI) Note: SCREW, HANDLE	10	4
19	74006635	SCREW W/WASHER (HANDLE MTG) Note: SCREW, HANDLE	10	2
20	7728P094-60	INSERT, DOOR TRIM (WHT)	10	1
-	74001278	SCREW (WHT) Note: SCREW, INSERT (WHT)	10	2

*Color Code (-)=Not Shown #=Series, Serial Prefix or Run No., N=Not Available

Section: BODY

No.	Part No.	Description	Series	Qty
1	8004P024-60	SPACER, SIDE PANEL	10	4
-	74007427	SPACER, SIDE PANEL (LONG)	16	2
2	74003004	SCREW (8ABX19/32-ZN) Note: SCREW, SPACER	10	4
3	74004518	SEAL, FRAME (FRONT)	10	1
-	74003975	SCREW (8ABX3/8-BLK) Note: SCREW, LATCH (INCLDS. ITEMS 5 & 6)	10	2
4	74005485	DOOR LOCK LATCH ASSY (LWR)	10	1
5	74005532	SWITCH, LOCK	10	1
6	74005531	MOTOR, LOCK	10	1
7	74003968	HINGE, DOOR Note: HINGE, OVEN DOOR (LWR)	10	2
8	7101P282-60	SCREW (10-24X5/16-NI) Note: SCREW, HINGE	10	4
9	74004523	HINGE, OVEN DOOR (UPR)	10	2
-	7101P282-60	SCREW (10-24X5/16-NI) Note: SCREW, HINGE	10	4
10	74007479	TRIM, KICKPLATE (WHT)	14	1
10	74004525	TRIM, KICKPLATE (WHT)	10	1
-	7101P373-60	SCREW (1/2"-WHT) Note: SCREW, KICKPLATE (WHT)	10	2
11	74004526	INSULATION, WRAP	10	1
-	74004520	INSULATION, OVEN FRONT (UPR)	10	1
12	74007429	LOCK, DOOR LATCH ASY.	16	1
-	74007642	SHIELD, DOOR LOCK WIRE	16	1
12	74005495	DOOR LOCK LATCH ASSY (UPR)	10	1
-	74003975	SCREW (8ABX3/8-BLK) Note: SCREW, LATCH (LATCH INCLDS. SWITCHES AND INSULATOR. THESE PARTS CAN NOTBE PURCHASED SEPERATELY)	10	2
13	74005484	BRACKET, DOOR LOCK	10	1
14	74005496	RETAINER, INSUL. DOOR LOCK	10	1
-	W10124350	NOT REQUIRED PART OR SEE NOTE	16	1
-	W10124350	NOT REQUIRED PART OR SEE NOTE	15	0
15	74005497	BACK, MAIN	10	1
16	74004530	SWITCH, LIMIT	10	1
17	74003384	BRACKET, MAIN TOP	10	1
18	74005505	BOTTOM, BURNER BOX	10	1
18	74007367	BOX, BURNER (RT)	16	1
18	74007366	BOX, BURNER (LT)	16	1
19	74005500	SUPPORT, OVEN (LWR)	10	1
19	74005499	SUPPORT, OVEN (REAR)	10	1
20	74004180	BRACKET, POWER SUPPLY	10	1
21	74001632	BRACKET, SWITCH ACTUATOR	10	2
-	7101P347-60	SCREW (8ABX3/8-BLK) Note: SCREW, BRACKET	10	4
22	74004536	SWITCH	10	2
-	7101P330-60	SCREW, SWITCH	10	4
23	74001629	SPRING, DOOR SWITCH	10	2
24	74001631	BUMPER, ROD	10	2
25	74003562	ROD, DOOR LIGHT SWITCH	10	2
26	74001872	INSULATOR, SWITCH	10	2
27	74003236	PANEL, SIDE (WHT)	10	2
-	74001530	SCREW (8AB1/2-NI) Note: SCREW, PANEL	10	12
28	8010P087-60	SPACER, MAIN TOP (LT)	10	1
28	8010P088-60	SPACER, MAIN TOP (RT) Note: SPACER, MAIN TOP (RT)	10	1
29 N	7101P313-60	SCREW (8ABX3/8-ZN) Note: SCREW, SPACER	10	2
30	7401P039-60	BLOCK, TERMINAL	10	1
-	74004532	INSULATOR, HEAT SHIELD	10	1
-	7103P027-60	NUT, TERMINAL BLOCK	10	1
31	74004576	COVER, MAIN WIRE	10	1
32	74004577	COVER, TERMINAL	10	1
33	4005F427-51	COVER, ACCESS	10	1
34	74007449	PLATE, BASE	14	1
34	74004828	BASE, PLATE	10	1

*Color Code (-)=Not Shown #=Series, Serial Prefix or Run No., N=Not Available

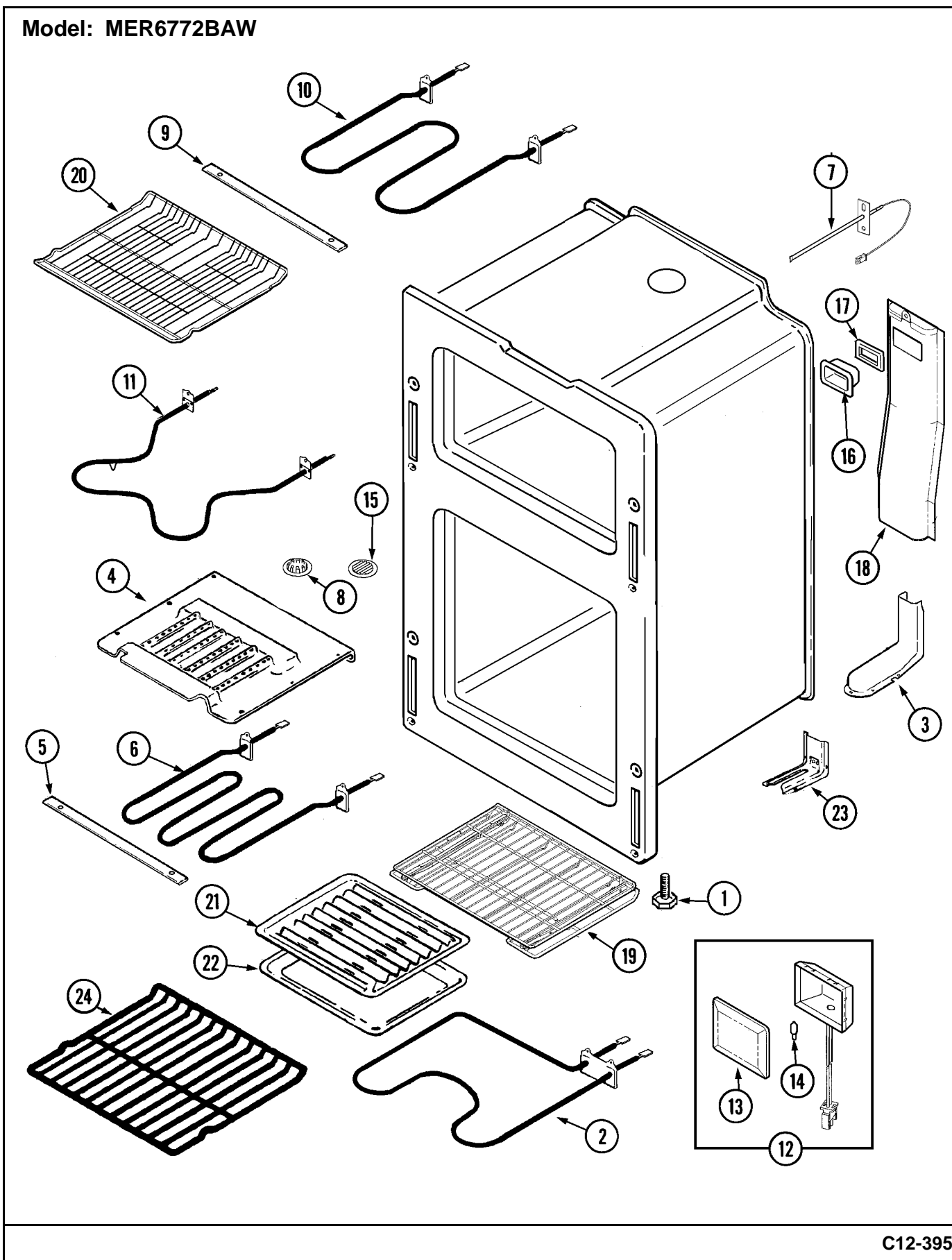
Section: BODY

No.	Part No.	Description	Series Qty	
35	74005653	SHIELD, POWER CORD	10	1
-	N 7101P338-60	SCREW (8BX3/8-NI) Note: SCREW, TRANSFORMER	10	2
36	74005456	TRANSFORMER, STEPDOWN (12V)	10	1

*Color Code (-)=Not Shown #=Series, Serial Prefix or Run No., N=Not Available

Section: OVEN

Model: MER6772BAW



C12-395

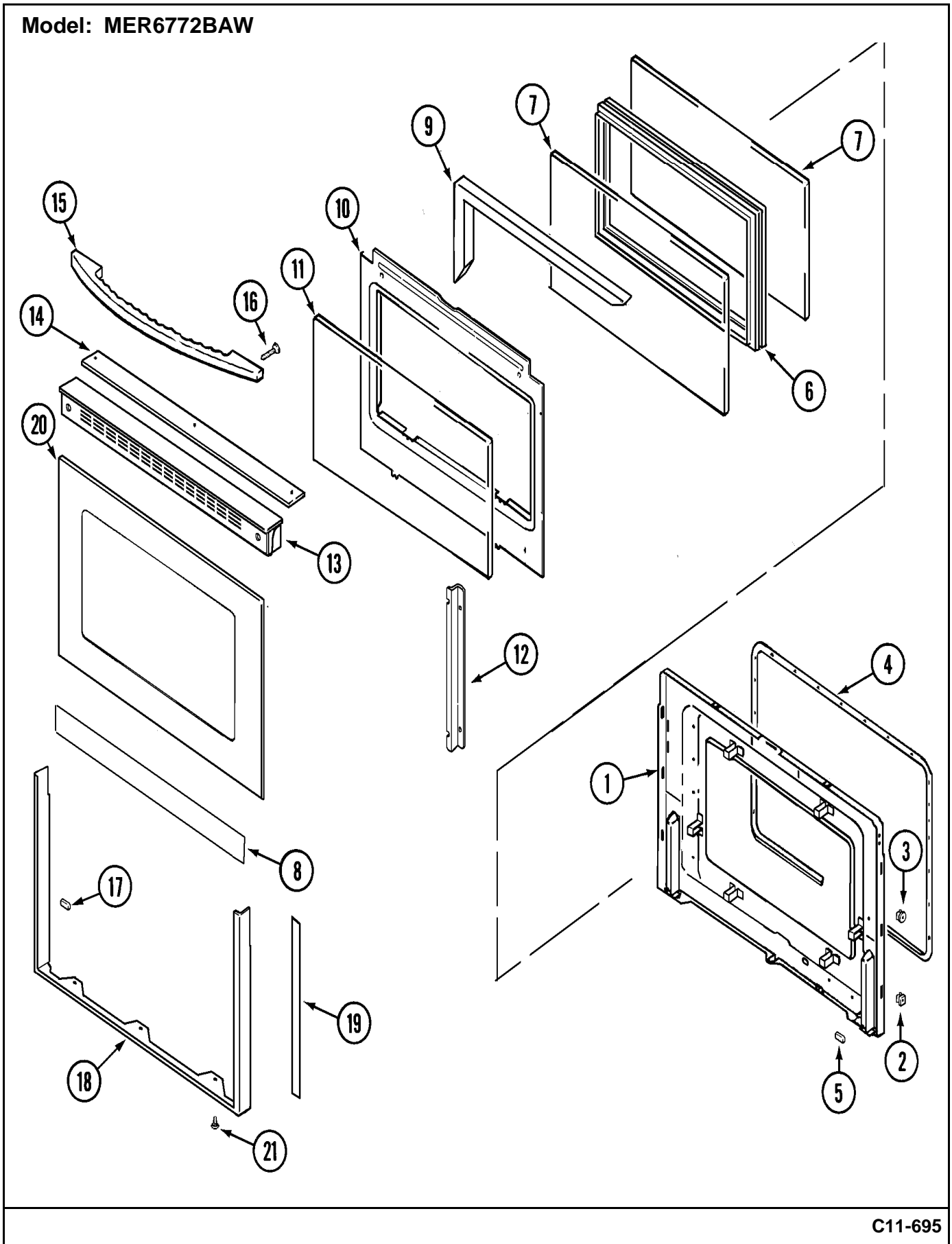
Section: OVEN

No.	Part No.	Description	Series	Qty
1	74002373	LEG, LEVELING	10	4
-	74004653	INSULATOR, TERMINAL	10	1
2	74004107	ELEMENT, BAKE (LOWER) Note: ELEMENT, BAKE (LWR)	10	1
-	74001530	SCREW (8AB1/2-NI) Note: SCREW, ELEMENT	10	2
3	74003394	VENT BOX ASSEMBLY Note: VENT BOX ASSEMBLY (LWR)	10	1
3	74004522	BOX, VENT ASSY (UPR) Note: VENT BOX ASSEMBLY (UPR)	10	1
-	74001530	SCREW (8AB1/2-NI) Note: SCREW, BAFFLE	10	10
4	3601F237-45	BAFFLE, BROIL	10	1
5	74003563	SUPPORT, BROIL ELEMENT Note: SUPPORT, BROIL ELEMENT (LWR)	10	2
-	7101P345-60	SCREW Note: SCREW, SUPPORT	10	6
6	74003040	ELEMENT, BROIL (6 PASS) Note: ELEMENT, BROIL (LWR)	10	1
-	74001530	SCREW (8AB1/2-NI) Note: SCREW, ELEMENT	10	2
7	74004943	SENSOR, OVEN (LONG) Note: SENSOR, OVEN (LWR)	10	1
7	74003095	SENSOR, OVEN (LONG) Note: SENSOR, OVEN (UPR)	10	1
8	74004517	PLUG, HOLE	10	1
9	3807F176-19	SUPPORT, BROIL ELEMENT Note: SUPPORT, BROIL ELEMENT (UPR)	10	1
10	74004106	ELEMENT, BROIL (UPPER) Note: ELEMENT, BROIL (UPR)	10	1
-	74001530	SCREW (8AB1/2-NI) Note: SCREW, ELEMENT	10	4
11	74004105	ELEMENT, BAKE (UPPER) Note: ELEMENT, BAKE (UPR)	10	1
12	74004521	HALOGEN LAMP ASSY Note: (INCLDS. ITEM NO.'S 13 & 14)	10	2
13	74004607	LENS, COVER	10	2
14	74004458	BULB, HALOGEN	10	2
15	74003633	SCREEN, SMOKE ELIMINATOR	10	2
16	74004534	EXTENSION, VENT ASSEMBLY	10	1
-	74003285	GASKET, VENT Note: GASKET, VENT (LOWER)	10	1
17	74004533	GASKET, VENT BOX (UPR)	10	1
18	74004535	EXTENSION, OVEN VENT ASSEMBLY	10	1
19	74005218	RACK, TELESCOPING ASSY Note: RACK, TELESCOPING	10	1
20	74004578	RACK, OVEN (UPR)	10	1
21	Y3413F01619	INSERT, BROIL PAN	10	1
22	Y3401F02019	PAN, BROIL	10	1
23	74005564	BRACKET, ANTI-TIP	10	1
24	74001757	RACK, OVEN Note: RACK, OVEN (LWR)	10	1

*Color Code (-)=Not Shown #=Series, Serial Prefix or Run No., N=Not Available

Section: DOOR (LOWER-BAB/BAQ/BAW)

Model: MER6772BAW



C11-695

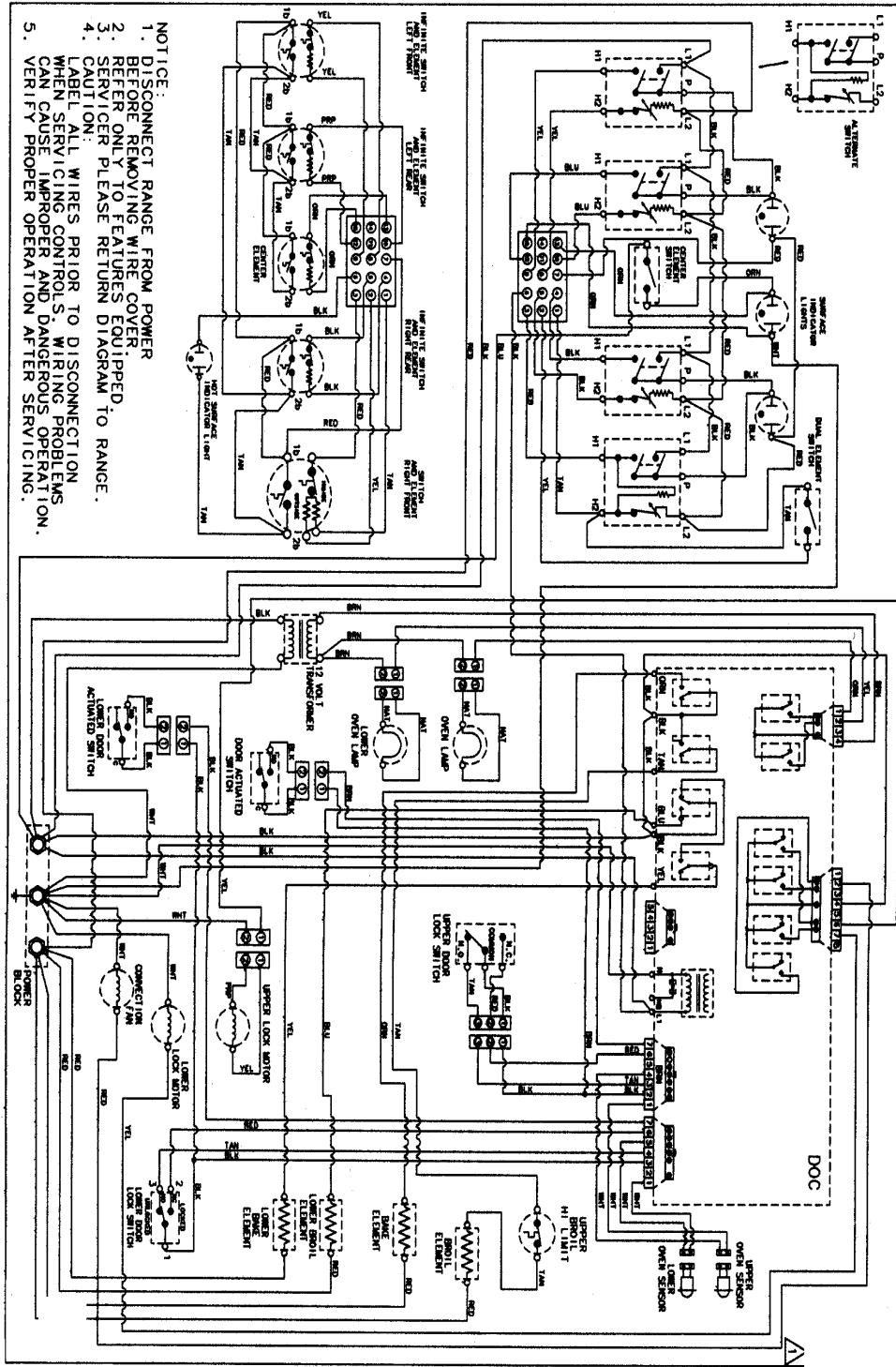
Section: DOOR (LOWER-BAB/BAQ/BAW)

No.	Part No.	Description	Series	Qty
1	74003642	LINING, DOOR	10	1
2	74003643	NUT, SNAP (SQUARE-BLK) Note: NUT, SNAP (SIDE-BLK)	10	4
-	74001574	NUT, SNAP (ROUND-BLK) Note: NUT, SNAP (TOP-BLK)	10	2
3	7103P039-60	NUT, SNAP (ROUND-WHT) Note: NUT, SNAP (SIDE-WHT)	10	2
4	7201P046-60	GASKET, DOOR	10	1
5	74005546	SPACER, RUBBER	10	2
6	74003644	FRAME, GLASS	10	1
7	74003645	GLASS, INNER	10	2
8	74003664	TAPE, FOIL 29" X 2"	10	1
9	74003647	INSULATION, OVEN DOOR	10	2
10	74003648	BAFFLE, DOOR	10	1
-	74001530	SCREW (8AB1/2-NI) Note: SCREW, BAFFLE	10	6
11	74003649	GLASS, DOOR Note: GLASS, INNER (CLEAR)	10	1
-	74001530	SCREW (8AB1/2-NI) Note: SCREW, RETAINER	10	4
12	74003650	RETAINER, GLASS	10	2
-	74001530	SCREW (8AB1/2-NI) Note: SCREW, TRIM	10	4
13	74006633	TRIM, DOOR TOP (WHT)	10	1
-	7101P373-60	SCREW (1/2"-WHT) Note: SCREW, TRIM (WHT)	10	2
-	74001278	SCREW (WHT) Note: SCREW, INSERT (WHT)	10	2
14	7728P094-60	INSERT, DOOR TRIM (WHT)	10	1
15	74006381	HANDLE, DOOR (WHT)	10	1
16	74006635	SCREW W/WASHER (HANDLE MTG) Note: SCREW, HANDLE	10	2
17	74004224	TAPE, SINGLE SIDED (WHT)	10	2
-	7101P373-60	SCREW (1/2"-WHT) Note: SCREW, FRAME (SIDE-WHT)	10	2
18	74004325	FRAME, DOOR (WHT)	10	1
19	74004224	TAPE, SINGLE SIDED (WHT)	10	2
20	74006636	GLASS, DOOR (WHT)	10	1
21	74001530	SCREW (8AB1/2-NI) Note: SCREW, FRAME (LWR)	10	3

*Color Code (-)=Not Shown #=Series, Serial Prefix or Run No., N=Not Available

Section: WIRING INFORMATION

Model: MER6772BAW



- NOTICE:**
1. DISCONNECT RANGE FROM POWER BEFORE REMOVING WIRE COVER.
 2. REFER ONLY TO FEATURES EQUIPPED.
 3. SERVICER PLEASE RETURN DIAGRAM TO RANGE.
 4. LABEL ALL WIRES PRIOR TO DISCONNECTION WHEN SERVICING CONTROLS. WIRING PROBLEMS CAN CAUSE IMPROPER AND DANGEROUS OPERATION.
 5. VERIFY PROPER OPERATION AFTER SERVICING.

Section: WIRING INFORMATION (AT VARIOUS SERIE

No.	Part No.	Description	Series Qty
-	N 15003398	WIRING INFORMATION	19 1

*Color Code (-)=Not Shown #=Series, Serial Prefix or Run No., N=Not Available

