



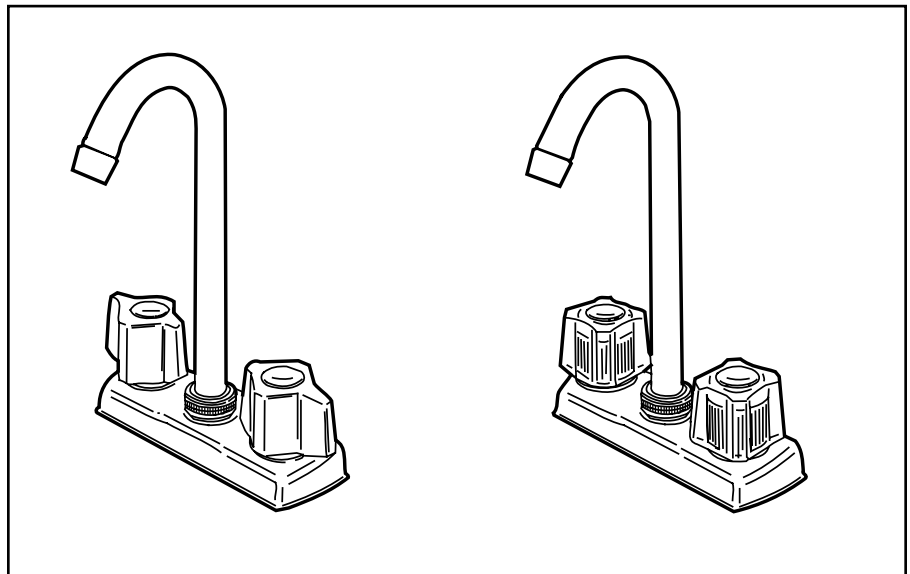
STRONG. PROFESSIONAL. DESIGN.[™]
SPECIFICATIONS

Specialty Classics Twin Handle Compression Bar Faucets

Models 26990, 26290

Standard Features

- Maximum operating input
water pressure80 psi
- Maximum pressure125 psi
- Maximum flow rate ..2.2 gpm at 60 psi
(see chart)
- Supply connectors1/2" IPS
- Valve TypeCompression valving
- Installation requirements2 sink holes
Minimum 1 1/2" Dia. In-line
4" centers
- Finish.....Chrome



Standards and Ratings

- ASME A112.18.1M American Society
of Mechanical Engineers Standard:
"Plumbing Fixtures Fittings"

Optional Features

- Acrylic Handles
- Blade Handles

Features

**Chrome plated or polished
brass finish**

Choice of handles

Compression valving

Benefits

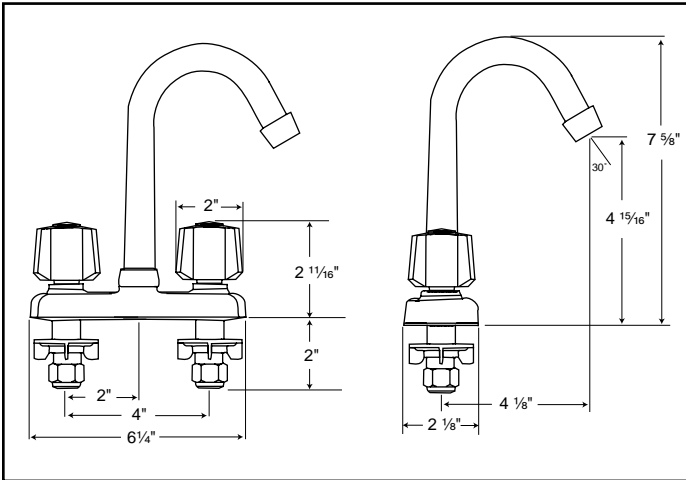
Durable and easy to clean

Easy operation and unique style
coordinates with traditional or
contemporary decor

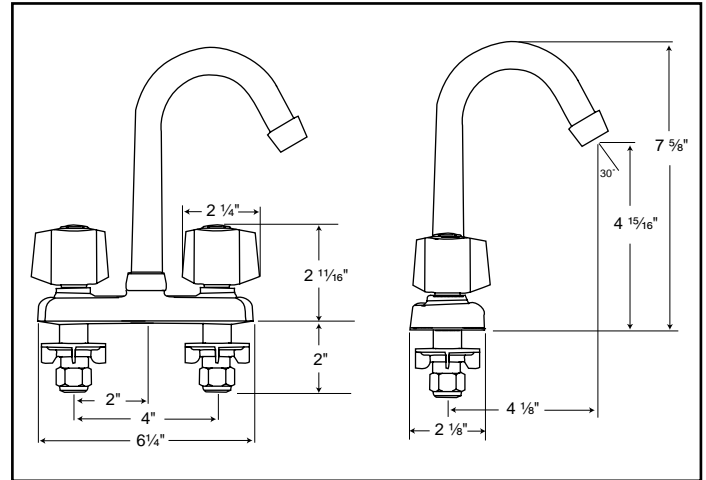
Ideal for hard water areas. Easy and
inexpensive to maintain

Specialty Classics
Twin Handle Compression
Bar Faucets
 Models 26990, 26290

D I M E N S I O N S

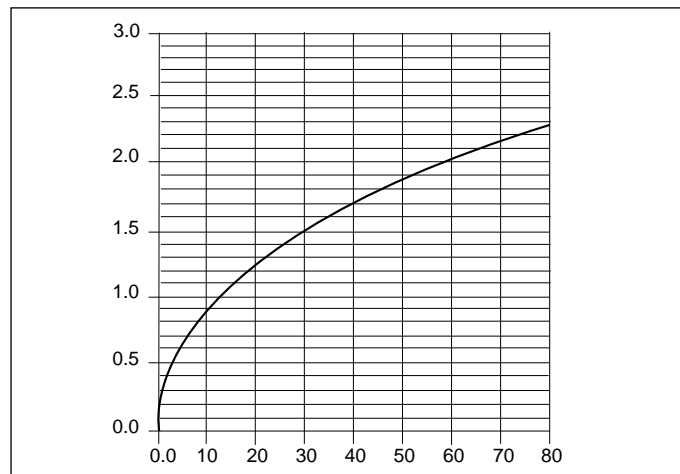


**Bar Faucet with Acrylic Handles
 and Gooseneck Spout**



**Bar Faucet with Blade Handles
 and Gooseneck Spout**

FLOWRATE (gpm)



**LINE PRESSURE
 P.S.I. GAUGE**

