

***ASye 636 Kin***

## ***Hand Drill***



### ***SERVICE***

***Tool service and maintenance must be performed only by qualified repair personnel.***

***When servicing a tool, only use identical replacement parts available from FEIN.***

Repairs on FEIN Power Tools required the use of special tools (pulling devices and bearing press). Authorized repair centers have trained repair technicians and equipment necessary to perform these repairs. Service or repairs performed by unqualified persons could result in operator injury.

For the location of the repair center near you, please call 1-800-441-9878. Monday thru Friday, 9AM to 5PM EST. Or, look on our web site at [www.feinus.com](http://www.feinus.com) and follow the link to "Authorized Warranty Repair Centers"

**FEIN Power Tools  
1030 Alcon Street  
Pittsburgh, PA 15220**

Phone: 412-922-8886 Fax: 412-922-8767 Toll Free: 1-800-441-9878

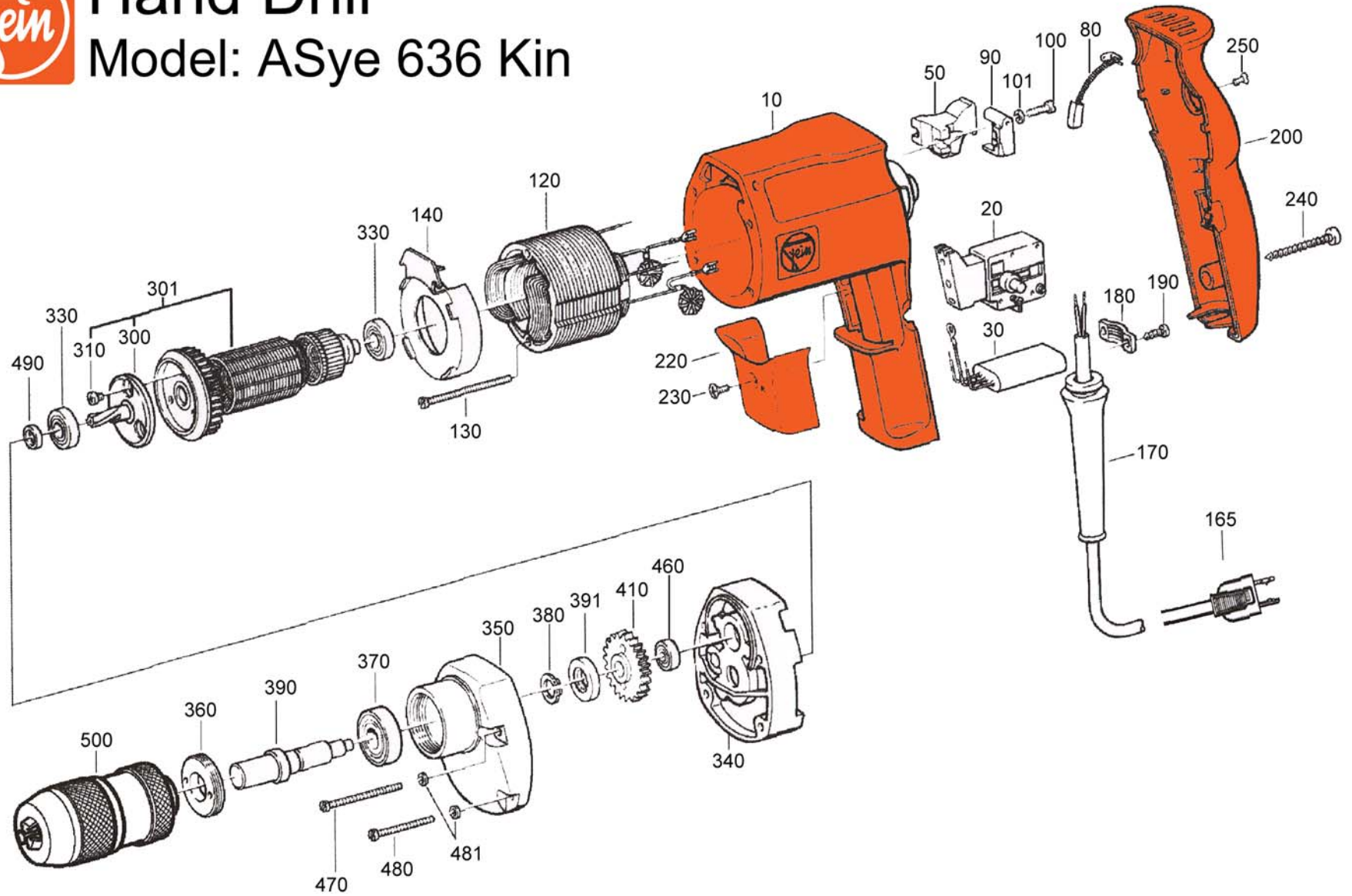
July 12, 2004





# Hand Drill

Model: ASye 636 Kin



## Fein Power Tools

### ASye 636 Kin

<u>Item</u>	<u>Item Number</u>	<u>Description</u>	<u>Reqd.</u>
10	3-19-01-117-01-5	MOTOR HOUSING	1
20	3-07-01-234-00-2	SPEED CONTROL	1
30	3-07-22-161-01-3	CAPACITOR	1
50	3-07-12-043-00-1	BRUSH HOLDER	2
80	3-07-11-059-00-7	CARBON BRUSH	2
90	3-07-13-010-00-9	BRUSH HOLDER CAP	2
100	4-30-02-014-99-8	SCREW	4
101	4-24-43-002-99-2	LOCKING WASHER	3
120	5-1-203-002-11-3	FIELD COIL	1
130	4-30-02-025-99-1	SCREW	2
140	3-14-28-004-00-0	INSULATING RING	1
165	3-07-07-101-01-2	CABLE	1
170	3-14-13-142-00-9	PROTECTING SLEEVE	1
180	3-24-31-021-00-7	CABLE CLAMP	1
190	4-30-46-002-00-5	SCREW	2
200	3-12-01-066-00-5	HANDLE	1
220	3-28-05-119-00-8	SWITCH SLIDE	1
230	4-30-66-006-03-2	SCREW	1
240	4-30-46-024-00-5	SCREW	1
250	4-30-66-002-99-2	SCREW	1
300	3-37-57-040-00-0	GEAR WHEEL 6T	1
301	5-3-203-001-11-2	ARMATURE	1
310	4-30-64-001-99-3	SCREW	3
330	4-17-01-001-17-2	BALL BEARING 608-RS1	2
340	3-15-06-139-00-8	INTER BEARING	1
350	3-15-08-099-00-1	GEAR HOUSING	1
360	3-26-18-041-00-2	THREADED RING	1
370	4-17-01-007-03-8	BALL BEARING	1
380	4-26-16-013-00-1	LOCKING RING	1
390	3-34-01-056-00-6	DRILL SHAFT	1
391	3-06-02-005-00-9	PACKING RING	1
410	3-36-57-009-00-2	GEAR WHEEL	1
460	4-17-01-202-01-8	BALL BEARING 608-RS1	1
470	4-30-02-024-99-7	SCREW	2
480	4-30-02-021-99-2	SCREW	2
481	4-24-43-002-99-2	LOCKING WASHER	4
490	3-26-12-055-00-8	PACKING RING	1
500	6-32-04-020-00-5	QUICK-ACTION CHUCK	1