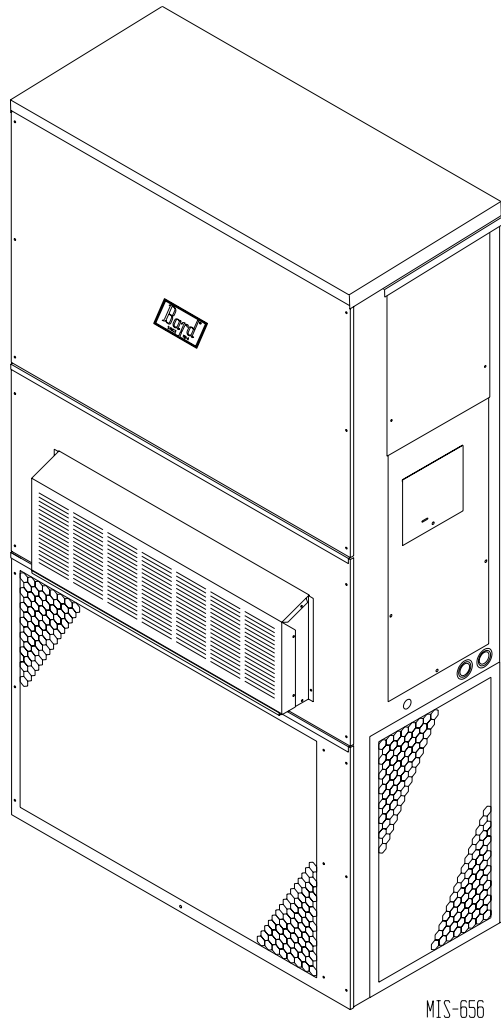

INSTALLATION INSTRUCTIONS

WALL MOUNTED PACKAGED AIR CONDITIONER

Models: **WA302**
WA372



MIS-656



CLIMATE CONTROL SOLUTIONS

Bard Manufacturing Company, Inc.
Bryan, Ohio 43506

Since 1914...moving ahead just as planned.

Manual No.: 2100-404D
Supersedes: 2100-404C
File: Volume III, Tab 16
Date: 08-01-07

Contents

Getting Other Information and Publications

For more information, contact these publishers	3
---	---

Wall Mount General Information

Air Conditioner Wall Mount Model Nomenclature	4
Shipping Damage	6
General	6
Duct Work	7
Filters	7
Fresh Air Intake	7
Condensate Drain	7

Installation Instructions

Wall Mounting Information	8
Mounting the Unit	8
Top Outlet Only	8
Wiring — Main Power	8 & 9
Low Voltage Connections	9
Wiring — Low Voltage Wiring	9

Figures

Figure 1 Unit Dimensions	5
Figure 2 Blower Damper Assembly	7
Figure 3 Mounting Instructions	10
Figure 4 Wall-Mounting Instructions	11
Figure 5 Wall-Mounting Instructions	11
Figure 6 Common Wall-Mounting Installations	12
Figure 7 Electric Heat Clearances	13
Figure 8 Low Voltage Wiring	14
Figure 9 Fan Blade Setting	17

Start Up

Important Installer Note	15
High Pressure Switch	15
Three Phase Scroll Compressor Start Up Information	15
Phase Monitor	15
Service Hints	15
Sequence of Operation	15
Compressor Control Module	16
Adjustments	16
Pressure Service Ports	16

Troubleshooting

Fan Blade Setting Dimensions	17
Removal of Fan Shroud	17
Refrigerant Charge	17
Cooling Pressures	18
Optional Accessories	19

Tables

Table 1 Electrical Specifications	4
Table 2 Dimensions of Basic Unit	5
Table 3 Electric Heat Table	6
Table 4 Operating Voltage Range	9
Table 5 Thermostat Wire Size	9
Table 6 Wall Thermostat	9
Table 7 Fan Blade Dimensions	17
Table 8 Suction Line Temperatures	17
Table 9 Indoor Blower Performance	17
Table 10 CFM and ESP	17
Table 11 Maximum ESP of Operation Electric Heat Only	17
Table 12 Cooling Pressure	18
Table 13 Optional Accessories	19

Getting Other Information and Publications

These publications can help you install the air conditioner or heat pump. You can usually find these at your local library or purchase them directly from the publisher. Be sure to consult current edition of each standard.

National Electrical Code ANSI/NFPA 70

Standard for the Installation ANSI/NFPA 90A
of Air Conditioning and Ventilating Systems

Standard for Warm Air ANSI/NFPA 90B
Heating and Air Conditioning Systems

Load Calculation for ACCA Manual J
Residential Winter and Summer Air Conditioning

Duct Design for Residential ACCA Manual D
Winter and Summer Air Conditioning and Equipment
Selection

FOR MORE INFORMATION, CONTACT THESE PUBLISHERS:

ACCA **Air Conditioning Contractors of America**
1712 New Hampshire Avenue NW
Washington, DC 20009
Telephone: (202) 483-9370
Fax: (202) 234-4721

ANSI **American National Standards Institute**
11 West Street, 13th Floor
New York, NY 10036
Telephone: (212) 642-4900
Fax: (212) 302-1286

ASHRAE **American Society of Heating Refrigerating,
and Air Conditioning Engineers, Inc.**
1791 Tullie Circle, N.E.
Atlanta, GA 30329-2305
Telephone: (404) 636-8400
Fax: (404) 321-5478

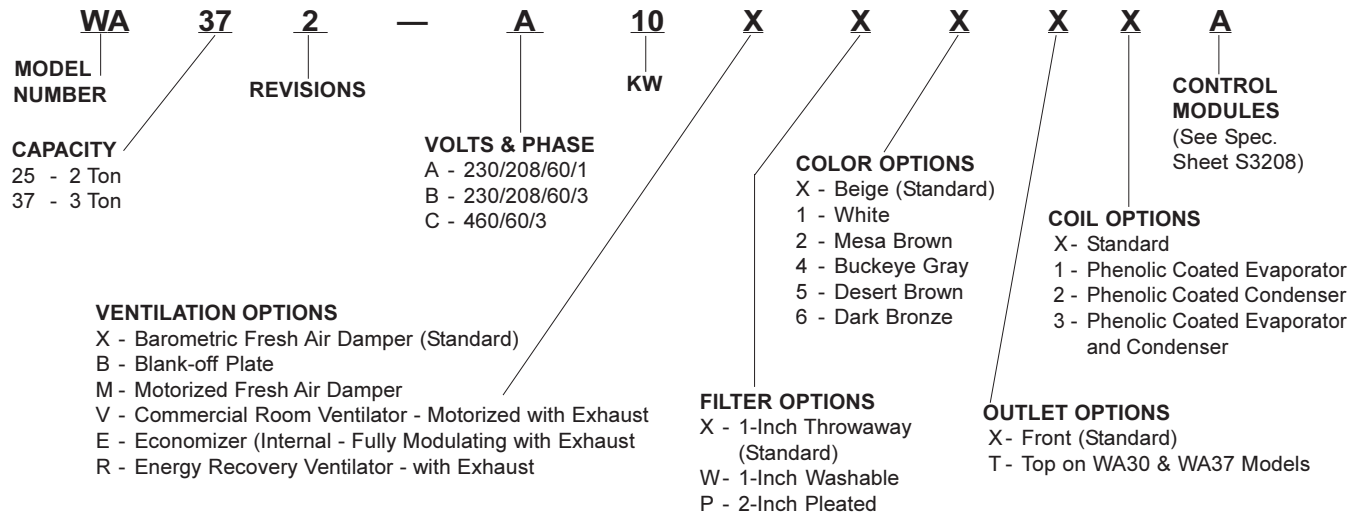
NFPA **National Fire Protection Association**
Batterymarch Park
P.O. Box 9101
Quincy, MA 02269-9901
Telephone: (800) 344-3555
Fax: (617) 984-7057

Manufactured under the following U.S. patent numbers:

5,485,878; 5,301,744; 5,002,116; 4,924,934; 4,875,520; 4,825,936; 4,432,409

WALL MOUNT GENERAL INFORMATION

AIR CONDITIONER WALL MOUNT MODEL NOMENCLATURE



NOTE: For 0KW and circuit breakers (230/208 Volt) or pull disconnects (460 Volt) applications, insert 0Z in the KW field of model no.

TABLE 1 – ELECTRICAL SPECIFICATIONS

Models	Rated Volts/ Phases	No. Field Power Circuits	③ Minimum Circuit Ampacity	① Maximum External Fuse or Ckt. Breaker	② Field Power Wire Size	② Ground Wire Size	③ Minimum Circuit Ampacity		① Maximum External Fuse or Ckt. Breaker		② Field Power Wire Size		② Ground Wire Size	
							CKT A	CKT B	CKT A	CKT B	CKT A	CKT B	CKT A	CKT B
WA302-A0Z A05 A10 A15	230/208-1	1 1 1 1 or 2	24 31 57 83	35 35 60 90	8 8 6 4	10 10 10 8	NA NA NA 55	NA NA NA 26	NA NA NA 60	NA NA NA 30	NA NA NA 4	NA NA NA 10	NA NA NA 8	NA NA NA 10
WA302-B0Z B09 B15	230/208-3	1 1 1	17 32 50	20 35 50	12 8 8	12 10 10	NA NA NA	NA NA NA	NA NA NA	NA NA NA	NA NA NA	NA NA NA	NA NA NA	NA NA NA
WA302-C0Z C09 C15	460-3	1 1 1	10 17 26	15 20 30	14 12 10	14 12 10	NA NA NA	NA NA NA	NA NA NA	NA NA NA	NA NA NA	NA NA NA	NA NA NA	NA NA NA
WA372-A0Z A05 A08 A10 A15	230/208-1	1 1 1 1 1 or 2	28 32 47 58 84	35 35 50 60 90	8 8 8 6 4	10 10 10 10 8	NA NA NA NA 58	NA NA NA NA 26	NA NA NA NA 60	NA NA NA NA 30	NA NA NA NA 6	NA NA NA NA 10	NA NA NA NA 10	NA NA NA NA 10
WA372-B0Z B06 B09 B15	230/208-3	1 1 1 1	20 24 33 51	25 25 35 60	10 10 8 6	10 10 10 10	NA NA NA NA	NA NA NA NA	NA NA NA NA	NA NA NA NA	NA NA NA NA	NA NA NA NA	NA NA NA NA	NA NA NA NA
WA372-C0Z C06 C09 C12 C15	460-3	1 1 1 1 1	11 12 17 21 26	15 15 20 25 30	14 14 12 10 10	14 14 12 10 10	NA NA NA NA NA	NA NA NA NA NA	NA NA NA NA NA	NA NA NA NA NA	NA NA NA NA NA	NA NA NA NA NA	NA NA NA NA NA	NA NA NA NA NA

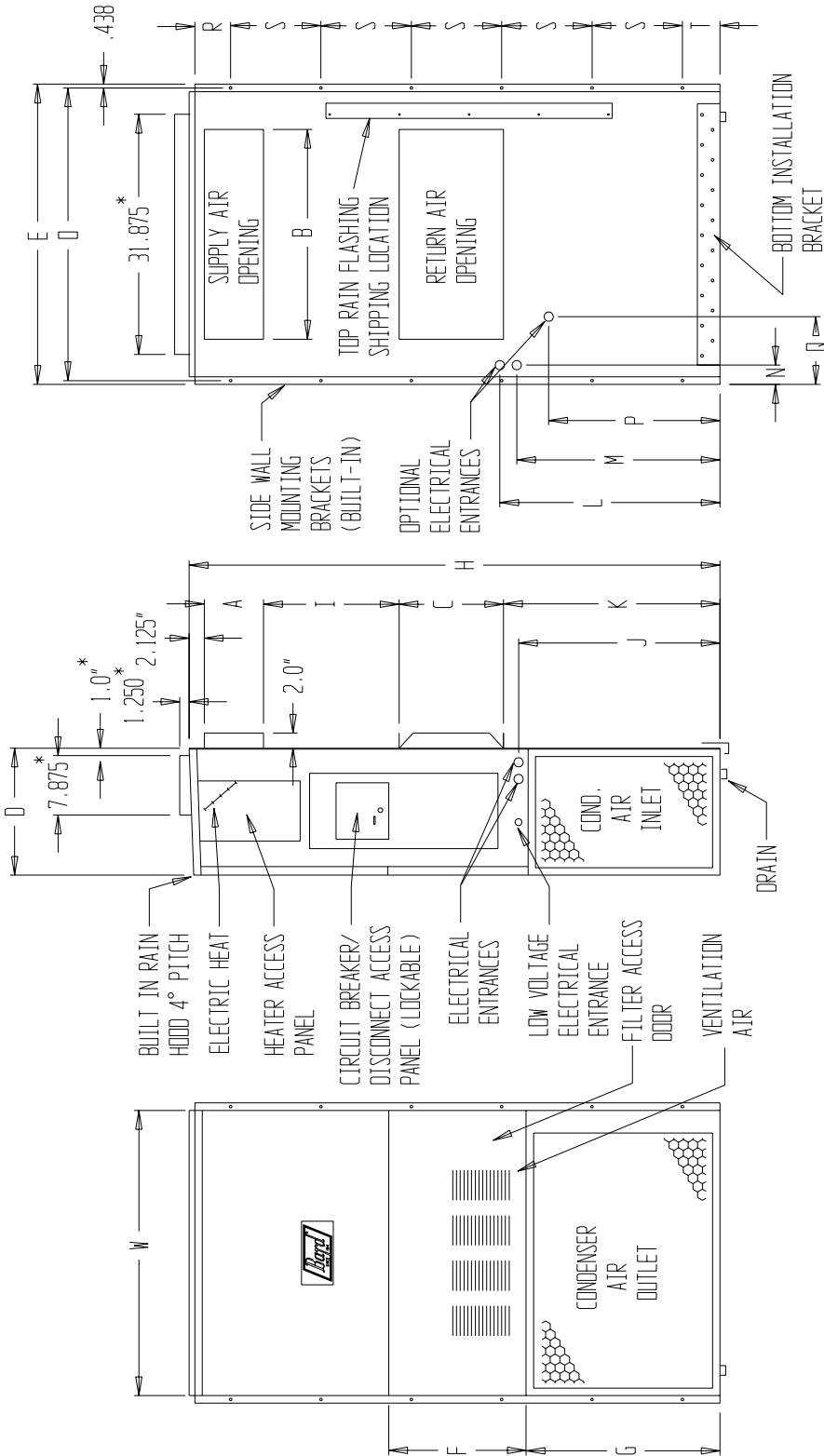
- ① Maximum size of the time delay fuse or HACR type circuit breaker for protection of field wiring conductors.
- ② Based on 75° copper wire. All wiring must conform to the National Electrical Code and all local codes.
- ③ These "Minimum Circuit Ampacity" values are to be used for sizing the field power conductors. Refer to the National Electric Code (latest revision), Article 310 for power conductor sizing.

CAUTION: When more than one field power conductor circuit is run through one conduit, the conductors must be derated. Pay special attention to note 8 of table 310 regarding Ampacity Adjustment Factors when more than three conductors are in a raceway.

**TABLE 2
DIMENSIONS OF BASIC UNIT (NOMINAL)**

Model	Width (W)	Depth (D)	Height (H)	Supply		Return		E	F	G	I	J	K	L	M	N	O	P	Q	R	S	T
				A	B	C	B															
WA302 WA371	38.20	17.125	70.563	7.88	27.88	13.88	27.88	40.00	18.50	25.75	17.93	26.75	28.75	29.25	27.00	2.75	39.19	22.75	9.14	4.19	12.00	5.00

**FIGURE 1
UNIT DIMENSIONS**



MIS-1262

BACK VIEW

SIDE VIEW

FRONT VIEW

**TABLE 3
ELECTRIC HEAT TABLE**

Models	WA302-A WA372-A				WA302-B WA372-B				WA302-C WA372-C	
	240V-1		208V-1		240V-3		208V-3		460V-3	
	KW	AMPS	BTUH	AMPS	BTUH	AMPS	BTUH	AMPS	BTUH	AMPS
5.0	20.8	17,065	18.1	12,800	---	---	---	---	---	---
10.0	41.6	34,130	36.2	25,600	---	---	---	---	---	---
15.0	62.5	51,200	54.1	38,400	---	---	---	---	---	---
6.0	---	---	---	---	14.4	20,500	12.5	15,360	7.2	20,475
9.0	---	---	---	---	21.7	30,600	18.7	23,030	10.8	30,700
15.0	---	---	---	---	36.2	51,200	31.2	38,400	18.0	51,200
12.0	---	---	---	---	---	---	---	---	14.4	40,950

SHIPPING DAMAGE

Upon receipt of equipment, the carton should be checked for external signs of shipping damage. If damage is found, the receiving party must contact the last carrier immediately, preferably in writing, requesting inspection by the carrier’s agent.

GENERAL

The equipment covered in this manual is to be installed by trained, experienced service and installation technicians.

The refrigerant system is completely assembled and charged. All internal wiring is complete.

The unit is designed for use with or without duct work. Flanges are provided for attaching the supply and return ducts.

These instructions explain the recommended method to install the air cooled self-contained unit and the electrical wiring connections to the unit.

These instructions and any instructions packaged with any separate equipment required to make up the entire air conditioning system should be carefully read before beginning the installation. Note particularly “Starting Procedure” and any tags and/or labels attached to the equipment.

While these instructions are intended as a general recommended guide, they do not supersede any national and/or local codes in any way. Authorities having jurisdiction should be consulted before the installation is made. See Page 3 for information on codes and standards.

Size of unit for a proposed installation should be based on heat loss calculation made according to methods of Air Conditioning Contractors of America (ACCA). The air duct should be installed in accordance with the Standards of the National Fire Protection Association for the Installation of Air Conditioning and Ventilating Systems of Other Than Residence Type, NFPA No. 90A, and Residence Type Warm Air Heating and Air Conditioning Systems, NFPA No. 90B. Where local regulations are at a variance with instructions, installer should adhere to local codes.

DUCT WORK


All duct work, supply and return, must be properly sized for the design airflow requirement of the equipment. Air Conditioning Contractors of America (ACCA) is an excellent guide to proper sizing. All duct work or portions thereof not in the conditioned space should be properly insulated in order to both conserve energy and prevent condensation or moisture damage.

Refer to Table 11 for maximum static pressure available for duct design.

Design the duct work according to methods given by the Air Conditioning Contractors of America (ACCA). When duct runs through unheated spaces, it should be insulated with a minimum of 1-inch of insulation. Use insulation with a vapor barrier on the outside of the insulation. Flexible joints should be used to connect the duct work to the equipment in order to keep the noise transmission to a minimum.

A 1/4 inch clearance to combustible material for the first 3 feet of duct attached to the outlet air frame is required. See Wall Mounting Instructions and Figures 3 and 4 for further details.

Ducts through the walls must be insulated and all joints taped or sealed to prevent air or moisture entering the wall cavity.

	<h1>CAUTION</h1>
<p>Some installations may not require any return air duct. A metallic return air grille is required with installations not requiring a return air duct. The spacing between louvers on the grille shall not be larger than 5/8 inches.</p>	

Any grille that meets the 5/8 inch louver criteria may be used. It is recommended that Bard Return Air Grille Kit RG-2 through RG-5 or RFG-2 through RFG-5 be installed when no return duct is used. Contact distributor or factory for ordering information. If using a return air filter grille, filters must be of sufficient size to allow a maximum velocity of 400 fpm.

FILTERS

A 1-inch throw away filter is supplied with each unit. The filter slides into position making it easy to service. This filter can be serviced from the outside by removing the service door. A 1-inch washable filter and a 2-inch pleated filter are also available as optional accessories. The internal filter brackets are adjustable to accommodate the 2-inch filter by bending the metal tabs holding the 1-inch filter down. There are two tabs on each side of the filter.

FRESH AIR INTAKE

All units are built with fresh air inlet slots punched in the service panel.

If the unit is equipped with the fresh air damper assembly, the assembly is shipped already attached to the unit. The damper blade is locked in the closed position. To allow the damper to operate, the maximum and minimum blade position stops must be installed. See Figure 2.

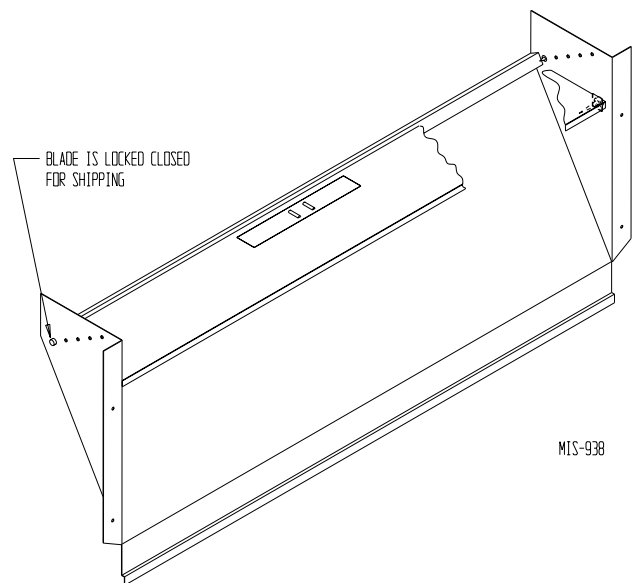
All capacity, efficiency and cost of operation information as required for Department of Energy "Energyguide" Fact Sheets is based upon the fresh air blank-off plate in place and is recommended for maximum energy efficiency.

The blank-off plate is available upon request from the factory and is installed in place of the fresh air damper shipped with each unit.

CONDENSATE DRAIN

A plastic drain hose extends from the drain pan at the top of the unit down to the unit base. There are openings in the unit base for the drain hose to pass through. In the event the drain hose is connected to a drain system of some type, it must be an open or vented type system to assure proper drainage.

**FIGURE 2
FRESH AIR DAMPER ASSEMBLY**



INSTALLATION INSTRUCTIONS

WALL MOUNTING INFORMATION

1. Two holes, for the supply and return air openings, must be cut through the wall as shown in Figure 3.
2. On wood-frame walls, the wall construction must be strong and rigid enough to carry the weight of the unit without transmitting any unit vibration.



WARNING

Fire hazard can result if 1/4 inch clearance to combustible materials for supply air duct is not maintained. See Figure 3.

3. Concrete block walls must be thoroughly inspected to insure that they are capable of carrying the weight of the installing unit.

MOUNTING THE UNIT

1. These units are secured by wall mounting brackets which secure the unit to the outside wall surface at both sides. A bottom mounting bracket is provided for ease of installation, but is not required.
2. The unit itself is suitable for “0” inch clearance, but the supply air duct flange and the first 3 feet of supply air duct require a minimum of 1/4 inch clearance to combustible material. If a combustible wall, use a minimum of 28½" x 8½" dimensions for sizing. However, it is generally recommended that a 1-inch clearance is used for ease of installation and maintaining the required clearance to combustible material.



WARNING

Failure to provide the 1/4 inch clearance between the supply duct and a combustible surface for the first 3 feet of duct can result in fire.

3. Locate and mark lag bolt locations and bottom mounting bracket location. See Figure 3.
4. Mount bottom mounting bracket, if used. The supply air opening would then be 30" x 10". See Figures 3 and 4 for details.
5. Hook top rain flashing under back bend of top. Top rain flashing is shipped secured to the right side of the back.

6. Position unit in opening and secure with 5/16 lag bolts; use 7/8 inch diameter flat washers on the lag bolts.
7. Secure rain flashing to wall and caulk across entire length of top. See Figure 3.
8. For additional mounting rigidity, the return air and supply air frames or collars can be drilled and screwed or welded to the structural wall itself (depending upon wall construction). Be sure to observe required clearance of combustible wall.
9. On side-by-side installations, maintain a minimum of 20 inches clearance on right side to allow access to heat strips and control panel and to allow proper airflow to the outdoor coil. Additional clearance may be required to meet local or national codes.

TOP OUTLET ONLY

1. Remove airframe angles from the back of the unit.
2. Coat angles with two 1/8" beads of silicone as shown. Silicone is shipped in the control panel. See Figure 5.
3. Secure angles to the top of the unit with 14 screws provided. Use of prepunched holes provided. Do not relocate. See Figure 5.
4. After installation duct work, seal around airframe and duct work to provide a rain tight seal.
5. It is strongly recommended, but not required, that this unit be installed under a soffit area large enough to shield the top of the unit. See Figure 6.

WIRING — MAIN POWER

Refer to the unit rating plate for wire sizing information and maximum fuse or “HACR Type” circuit breaker size. Each outdoor unit is marked with a “Minimum Circuit Ampacity”. This means that the field wiring used must be sized to carry that amount of current. Depending on the installed KW of electric heat, there may be two field power circuits required. If this is the case, the unit serial plate will so indicate. All models are suitable only for connection with copper wire. Each unit and/or wiring diagram will be marked “Use Copper Conductors Only”. These instructions **must be** adhered to. Refer to the National Electrical Code (NEC) for complete current carrying capacity data on the various insulation grades of wiring material. All wiring must conform to NEC and all local codes.

The electrical data lists fuse and wire sizes (75°C copper) for all models, including the most commonly used heater sizes. Also shown are the number of field power circuits required for the various models with heaters.

The unit rating plate lists a “Maximum Time Delay Relay Fuse” or “HACR Type” circuit breaker that is to be used with the equipment. The correct size must be used for proper circuit protection and also to assure that there will be no nuisance tripping due to the momentary high starting current of the compressor motor.

The disconnect access door on this unit may be locked to prevent unauthorized access to the disconnect. To convert for the locking capability, bend the tab located in the bottom left hand corner of the disconnect opening under the disconnect access panel straight out. This tab will now line up with the slot in the door. When shut, a padlock may be placed through the hole in the tab preventing entry.

LOW VOLTAGE CONNECTIONS

These units use a grounded 24 volt AC low voltage circuit.

The "R" terminal is the *hot* terminal and the "C" terminal is *grounded*.

"G" terminal is the *fan input*.

"Y" terminal is the *compressor input for cooling*.

"W1" terminal is the *1st stage electric heat*. The reversing valve must be energized for heating mode.

"W2" terminal is *second stage heat* (if equipped).

"F" terminal is the *ventilation input*. This terminal energizes any factory installed ventilation option.

**TABLE 5
THERMOSTAT WIRE SIZE**

Transformer VA	FLA	Wire Gauge	Maximum Distance In Feet
55	2.3	20 gauge	45
		18 gauge	60
		16 gauge	100
		14 gauge	160
		12 gauge	250

WIRING — LOW VOLTAGE WIRING

230/208V, 1 phase and 3 phase equipment dual primary voltage transformers. All equipment leaves the factory wired on 240V tap. For 208V operation, reconnect from 240V to 208V tap. The acceptable operating voltage range for the 240 and 208V taps are:

**TABLE 4
OPERATING VOLTAGE RANGE**

TAP	RANGE
240V	253 – 216
208V	220 – 187

NOTE: The voltage should be measured at the field power connection point in the unit and while the unit is operating at full load (maximum amperage operating condition.)

Five (5) wires should be run from thermostat subbase to the 24V terminal board in the unit. A five conductor, 18 gauge copper, color-coded thermostat cable is recommended. The connection points are shown in Figure 8.

LOW VOLTAGE CONNECTIONS FOR DDC CONTROL

Fan Only	Energize G
Cooling Mode	Energize Y, G
1st Stage Heating	Energize W1
2nd Stage Heating (if employed)	Energize W1, W2
Ventilation	Energize G, F

**TABLE 6
WALL THERMOSTAT**

Thermostat	Predominate Features
8403-057 TH5220D1153	1 stage Cool, 1 stage Heat Electronic Non-Programmable Auto or Manual changeover
8403-058 TH5220D1151	2 stage Cool, 2 stage Heat Electronic Non-Programmable Auto or Manual changeover
8403-060 (1120-445)	3 stage Cool; 3 stage Heat Programmable/Non-Programmable Electronic HP or Conventional Auto or Manual changeover

**FIGURE 3
MOUNTING INSTRUCTIONS**

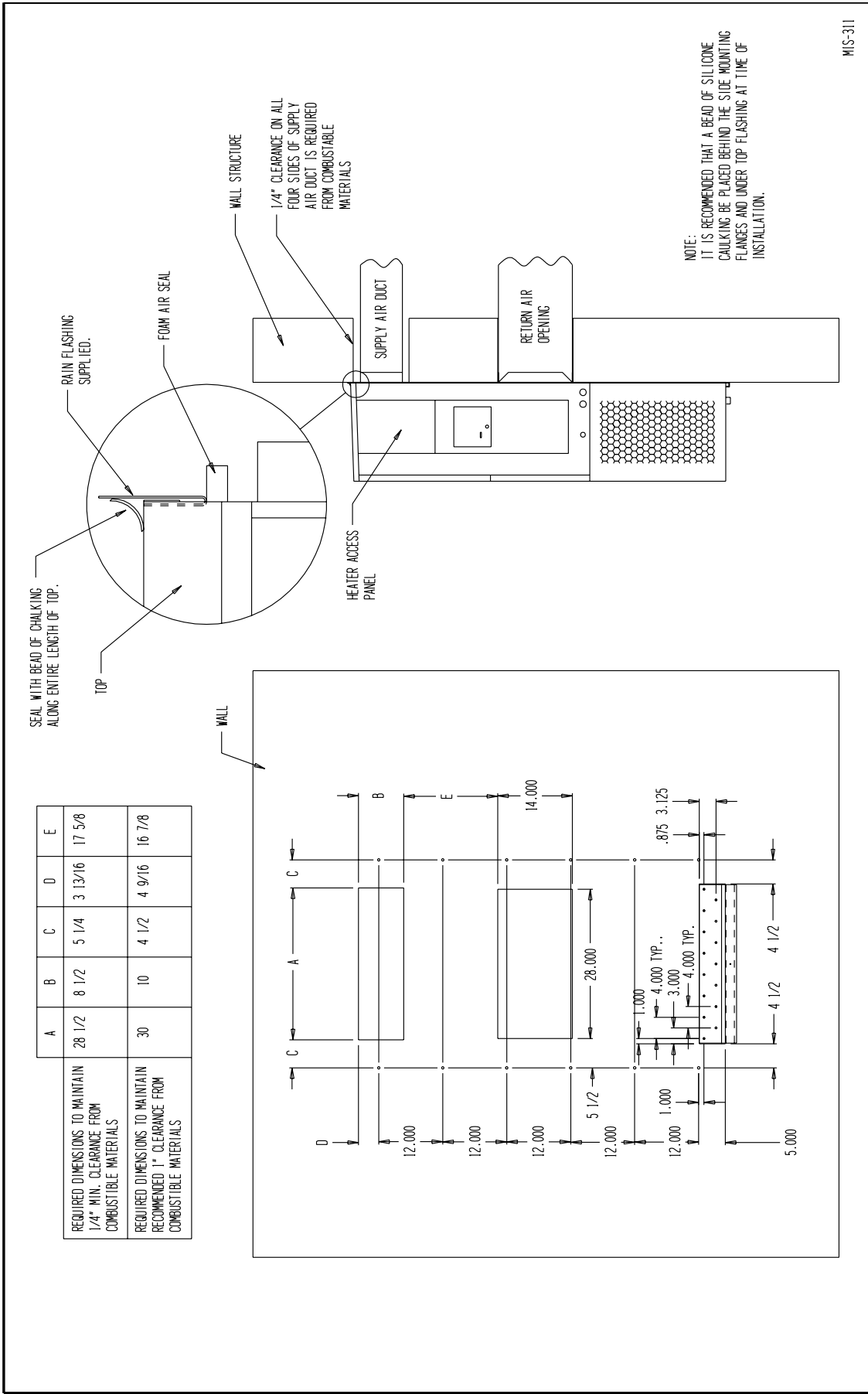


FIGURE 4 WALL-MOUNTING INSTRUCTIONS

SEE FIGURE 3 – MOUNTING INSTRUCTIONS

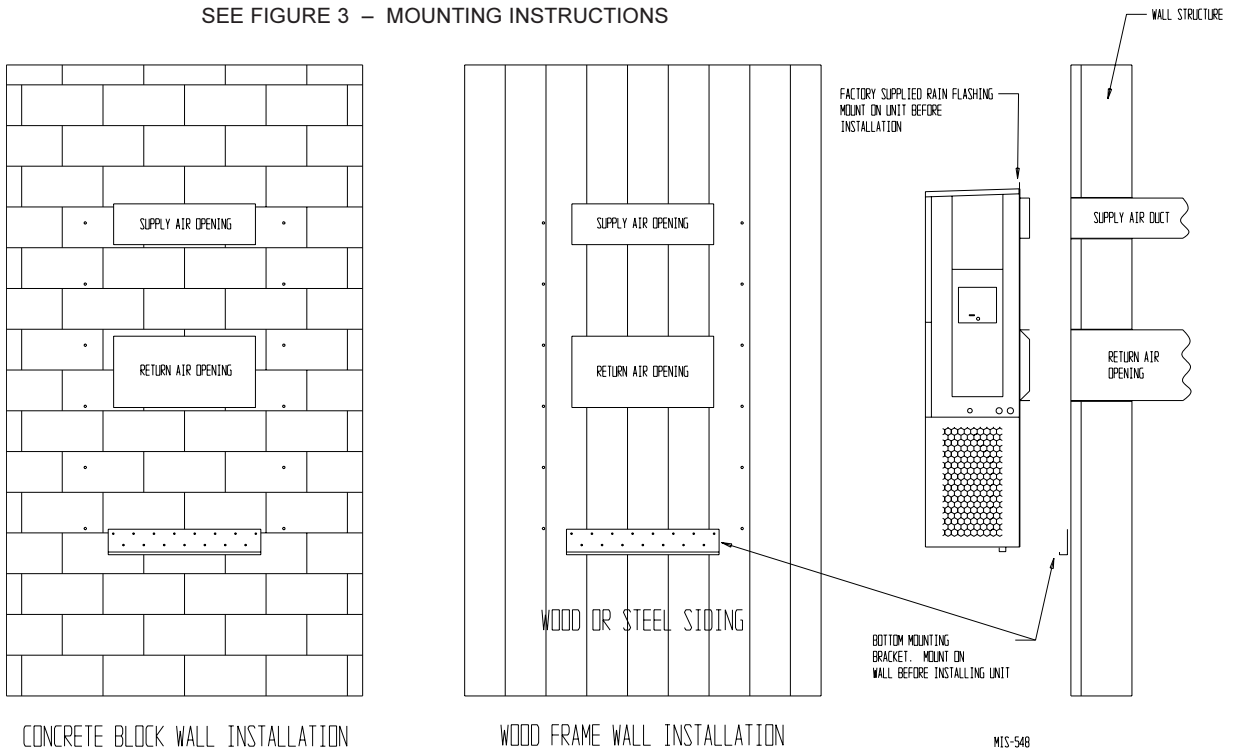
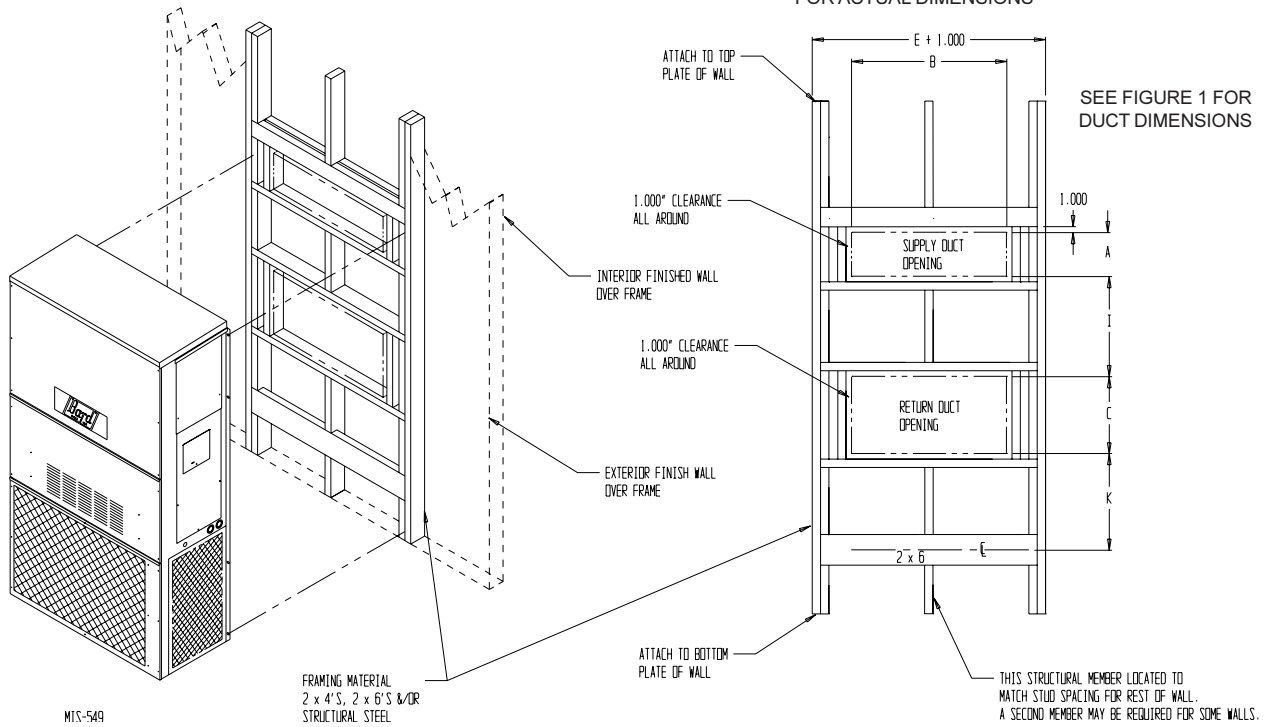
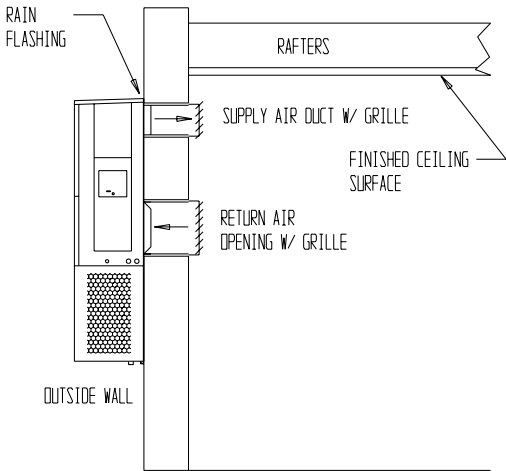


FIGURE 5 WALL-MOUNTING INSTRUCTIONS

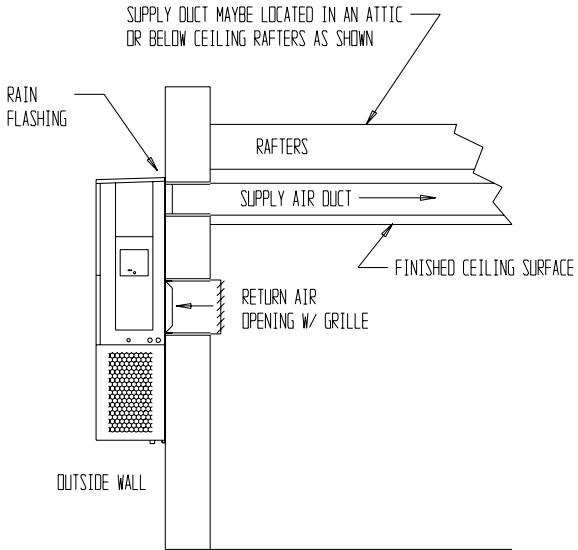
SEE UNIT DIMENSIONS, FIGURE 1,
FOR ACTUAL DIMENSIONS



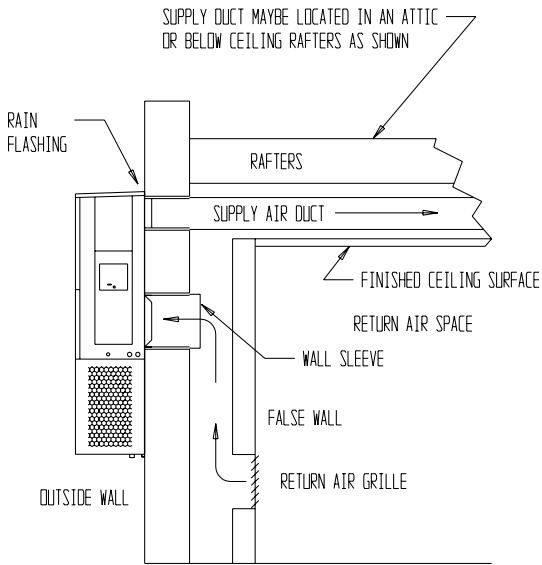
**FIGURE 6
COMMON WALL-MOUNTING INSTALLATIONS**



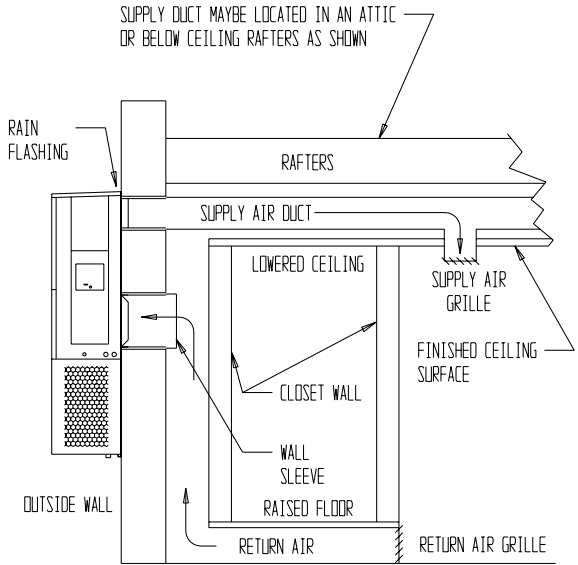
FREE AIR FLOW
NO DUCT



DUCTED SUPPLY
RETURN AT UNIT



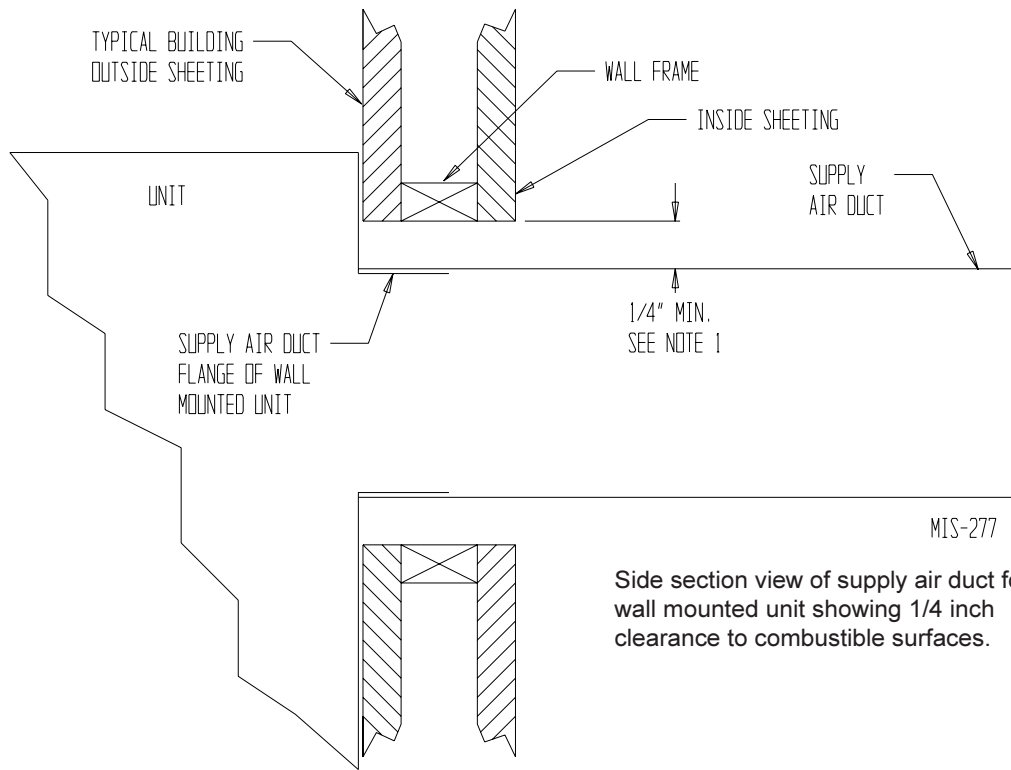
FALSE WALL INSTALLATION



CLOSET INSTALLATION

MIS-550

**FIGURE 7
ELECTRIC HEAT CLEARANCE**



Side section view of supply air duct for wall mounted unit showing 1/4 inch clearance to combustible surfaces.



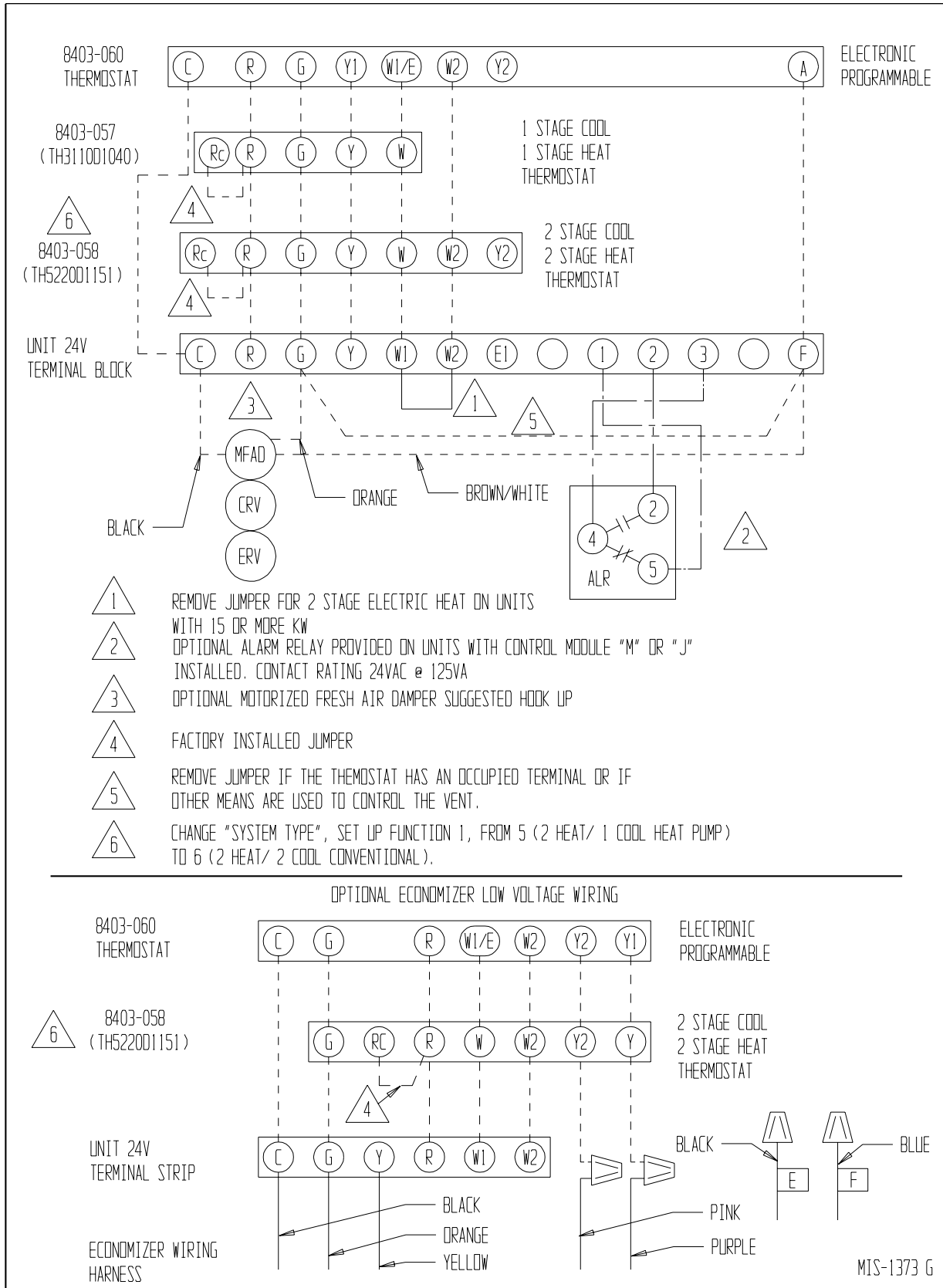
WARNING

A **minimum** of 1/4 inch clearance must be maintained between the supply air duct and combustible materials. This is required for the first 3 feet of ducting.

It is important to insure that the 1/4 inch minimum spacing is maintained at all points.

Failure to do this could result in overheating the combustible material and may result in a fire causing damage, injury or death.

**FIGURE 8
LOW VOLTAGE WIRING**



IMPORTANT INSTALLER NOTE

For improved start-up performance, wash the indoor coil with a dishwasher detergent.

HIGH PRESSURE SWITCH

The WA372 models are supplied with a remote reset high pressure switch. If tripped, this pressure switch may be reset by turning the thermostat off then back on again.

THREE PHASE SCROLL COMPRESSOR START UP INFORMATION

Scroll compressors, like several other types of compressors, will only compress in one rotational direction. Direction of rotation is not an issue with single phase compressors since they will always start and run in the proper direction.

However, three phase compressors will rotate in either direction depending upon phasing of the power. Since there is a 50-50 chance of connecting power in such a way as to cause rotation in the reverse direction, verification of proper rotation must be made. All three phase units incorporate a phase monitor to ensure proper field wiring. See the *Phase Monitor* section in this manual.

Verification of *proper rotation* must be made any time a compressor is change or rewired. If improper rotation is corrected at this time there will be no negative impact on the durability of the compressor. However, reverse operation for over one hour may have a negative impact on the bearing due to oil pump out.

NOTE: If compressor is allowed to run in reverse rotation for several minutes, the compressor's internal protector will trip.

All three phase ZR3 compressors are wired identical internally. As a result, once the correct phasing is determined for a specific system or installation, connecting properly phased power leads to the same Fusite terminal should maintain proper rotation direction.

Verification of proper rotation direction is made by observing that suction pressure drops and discharge pressure rises when the compressor is energized. Reverse rotation also results in an elevated sound level over that with correct rotations, as well as, substantially reduced current draw compared to tabulated values.

The direction of rotation of the compressor may be changed by reversing any two line connections to the unit.

PHASE MONITOR

All units with three phase compressors are equipped with a 3 phase line monitor to prevent compressor damage due to phase reversal.

The phase monitor in this unit is equipped with two LEDs. If the Y signal is present at the phase monitor and phases are correct the green LED will light.

If phases are reversed, the red fault LED will be lit and compressor operation is inhibited.

If a fault condition occurs, reverse two of the supply leads to the unit. Do not reverse any of the unit factory wires as damage may occur.

SERVICE HINTS

1. Caution homeowner to maintain clean air filters at all times. Also, not to needlessly close off supply and return air registers. This reduces airflow through the system, which shortens equipment service life as well as increasing operating costs.
2. Check all power fuses or circuit breakers to be sure they are the correct rating.
3. Periodic cleaning of the outdoor coil to permit full and unrestricted airflow circulation is essential.

SEQUENCE OF OPERATION

Cooling—Circuit R-Y makes at thermostat pulling in compressor contactor, starting the compressor and outdoor motor. The G (indoor motor) circuit is automatically completed on any call for cooling operation or can be energized by manual fan switch on subbase for constant air circulation. On all 230 volt units, there is a one-minute off delay on the blower motor. 460 volt models do not have an off delay. On a call for heating, circuit R-W1 make at the thermostat pulling in heat contact for the strip heat and blower operation. On a call for second stage heat, R-W2 makes bringing on second heat contactor, if so equipped.

COMPRESSOR CONTROL MODULE

The compressor control module is optional on the models covered by this manual. The compressor control is an anti-short cycle/lockout timer with high and low pressure switch monitoring and alarm relay output.

Adjustable Delay On Make And Break Timer

On initial power up or any time power is interrupted to the unit, the *delay on make* period begins, which will be 2 minutes plus 10% of the *delay on break* setting. When the delay on make is complete and the high pressure switch (and low pressure switch if employed) is closed, the compressor contactor is energized. Upon shutdown, the delay on break timer starts and prevents restart until the delay on break and delay on make periods have expired.

During routine operation of the unit with no power interruptions the compressor will operate on demand with no delay.

High Pressure Switch and Lockout Sequence

If the high pressure switch opens, the compressor contactor will de-energize immediately. The lockout timer will go into a *soft lockout* and stay in soft lockout until the high pressure switch closes and the delay on break time has expired. If the high pressure switch opens again in this same operating cycle, the unit will go into *manual lockout* condition and the alarm relay circuit will energize. Recycling the wall thermostat resets the manual lockout.

Low Pressure Switch, Bypass, and Lockout Sequence

If the low pressure switch opens for more than 120 seconds, the compressor contactor will de-energize and go into a soft lockout. Regardless the state of the low pressure switch, the contactor will reenergize after the delay on make time delay has expired. If the low pressure switch remains open, or opens again for longer than 120 seconds the unit will go into manual lockout condition and the alarm relay circuit will energize. Recycling the wall thermostat resets the manual lockout.

Alarm Relay Output

Alarm terminal is output connection for applications where alarm relay is employed. This terminal is powered whenever compressor is locked out due to HPC or LPC sequences as described.

NOTE: Both high and low pressure switch controls are inherently automatic reset devices. The high pressure switch and low pressure switch cut out and cut in settings are fixed by specific air conditioner or heat pump unit model. The lockout features, both soft and manual, are a function of the Compressor Control Module.

ADJUSTMENTS

Adjustable Delay on Make and Delay on Break Timer

The potentiometer is used to select Delay on Break time from 30 seconds to 5 minutes. Delay on Make (DOM) timing on power-up and after power interruptions is equal to 2 minutes plus 10% of Delay on Break (DOB) setting:

0.5 minute (30 seconds)	DOB = 123 second	DOM
1.0 minute (60 seconds)	DOB = 126 second	DOM
2.0 minute (120 seconds)	DOB = 132 second	DOM
3.0 minute (180 seconds)	DOB = 138 second	DOM
4.0 minute (240 seconds)	DOB = 144 second	DOM
5.0 minute (300 seconds)	DOB = 150 second	DOM

During routine operation of the unit with no power interruptions, the compressor will operate on demand with no delay.

Typical Settings for Dual Unit Installation:

Unit 1: DOB set at 2 minutes, and DOM is 132 seconds

Unit 2: DOB set at 4 minutes, and DOM is 144 seconds

PRESSURE SERVICE PORTS

High and low pressure service ports are installed on all units so that the system operating pressures can be observed. Pressure tables can be found later in the manual covering all models. It is imperative to match the correct pressure table to the unit by model number.

TROUBLESHOOTING

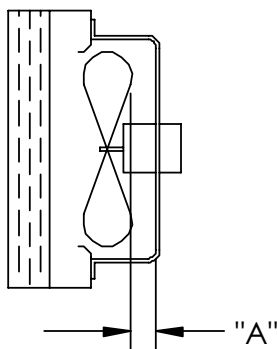
FAN BLADE SETTING DIMENSIONS

Shown in the drawing below are the correct fan blade setting dimensions for proper air delivery across the outdoor coil.

Any service work requiring removal or adjustment in the fan and/or motor area will require that the dimensions below be checked and blade adjusted in or out on the motor shaft accordingly.

**FIGURE 9
FAN BLADE SETTING**

←
AIRFLOW



MIS-1724

**TABLE 7
FAN BLADE DIMENSION**

Model	Dimension A
WA302	1.25
WA372	1.25

REMOVAL OF FAN SHROUD

1. Disconnect all power to unit.
2. Remove the screws holding both grills – one on each side of unit – and remove grills.
3. Remove screws holding fan shroud to condenser and bottom – 9 screws.
4. Unwire condenser fan motor.
5. Slide complete motor, fan blade, and shroud assembly out the left side of the unit.
6. Service motor/fan as needed.
7. Reverse steps to reinstall.

REFRIGERANT CHARGE

The correct system R-22 charge is shown on the unit rating plate. Optimum unit performance will occur with a refrigerant charge resulting in a suction line temperature (6 inches from compressor) as shown in Table 8.

**TABLE 8
SUCTION LINE TEMPERATURES**

Models	Rated Airflow	95° F OD Temp.	82° F OD Temp.
WA302	1,000	56 – 59	64 – 66
WA372	1,100	57 – 59	62 – 64

The suction line temperatures in Table 8 are based upon 80°F dry bulb/67°F wet bulb (50 percent R.H.) temperature and rated airflow across the evaporator during cooling cycle.

**TABLE 9
INDOOR BLOWER PERFORMANCE
CFM AT 230 VOLTS**

E.S.P. In H ₂ O	WA302, WA372			
	High Speed		Low Speed	
	Dry Coil	Wet Coil	Dry Coil	Wet Coil
.0	1,395	1,315	950	935
.1	1,340	1,270	930	915
.2	1,285	1,190	910	885
.3	1,205	1,100	855	830
.4	1,110	1,000	800	755
.5	1,005	870	---	---

**TABLE 10
RATED CFM AND ESP**

Model	① Rated CFM	① Rated ESP	Recommended Airflow Range
WA302	1,000	.40	930 – 1,300
WA371	1,100	.30	930 – 1,350

① Rated CFM and ESP on high speed tap

**TABLE 11
MAXIMUM ESP OF OPERATION
ELECTRIC HEAT ONLY**

Model	Front Outlet		Top Outlet	
	Low Speed	High Speed	Low Speed	High Speed
A0Z	.50	.50	.50	.50
A05	.50	.50	.45	.50
A08	.50	.50	---	---
A10	.45	.50	.35	.50
A15	.35	.40	---	---
B0Z	.50	.50	.50	.50
B06	.40	.50	---	---
B09	.50	.50	.40	.45
B15	.30	.45	---	---
C0Z	.50	.50	.50	.50
C06	.50	.50	---	---
C09	.40	.50	.40	.45
C15	.35	.45	---	---

**TABLE 12
COOLING PRESSURE**

Outdoor Temperature °F

Model	Return Air Temperature	Pressure	75	80	85	90	95	100	105	110	115
WA302	75 deg DB 62 deg WB	Low Side High Side	75 215	76 229	78 244	79 258	80 275	81 292	83 308	84 327	85 345
	80 deg DB 67 deg WB	Low Side High Side	80 220	81 235	83 250	85 265	86 282	87 299	89 316	90 335	91 354
	85 deg DB 72 deg WB	Low Side High Side	83 228	84 243	86 259	88 274	89 292	90 309	92 327	93 347	94 366
WA372	75 deg DB 62 deg WB	Low Side High Side	69 200	70 214	72 229	74 245	75 261	77 279	78 296	79 316	79 335
	80 deg DB 67 deg WB	Low Side High Side	75 205	75 219	77 235	79 251	80 268	82 286	83 304	84 324	85 344
	85 deg DB 72 deg WB	Low Side High Side	77 212	78 227	80 243	82 260	83 277	85 298	86 315	87 335	88 358

Low side pressure ± 2 psig

High side pressure ± 5 psig

Tables are based upon rated CFM (airflow) across the evaporator coil and should be found under section titled "Refrigerant Charge" elsewhere in manual. If there is any doubt as to correct charge being in the system, the charge should be removed, system evacuated and recharged to serial plate instructions.

**TABLE 13
OPTIONAL ACCESSORIES**

MODEL	DESCRIPTION	WA302-A WA372-A	WA302-B	WA372-B	WA302-C WA372-C
BOP-3	Blank Off Plate	X	X	X	X
BFAD-3	Barometric Fresh Air Damper	X	X	X	X
MFAD-3	Motorized Fresh Air Damper	X	X	X	X
CRV-3	Commercial Ventilator with Exhaust	X	X	X	X
EIFM-3B	Economizer with Exhaust	X	X	X	
WERV-A3B	Energy Recovery Ventilator	X	X	X	
WERV-A3B	Energy Recovery Ventilator				X
CMA-6	Low Ambient Control	X	X	X	
CMA-16A	Low Pressure Control	X	X	X	X
CMA-18A	LAC + LPC	X	X	X	
CMC-15	Start Kit	X			
EHWA03-A05	Heater Package ①	X			
EHWA03-A08	Heater Package ①	X			
EHWA03-A10	Heater Package ①	X			
EHWA03-A15	Heater Package ①	X			
EHWA03-B06	Heater Package ①		X	X	
EHWA03-B09	Heater Package ①		X	X	
EHWA03-B15	Heater Package ①		X		
EHWA37-B15	Heater Package ①			X	
EHWA03A-C06	Heater Package ①				X
EHWA03A-C09	Heater Package ①				X
EHWA03A-C12	Heater Package ①				X
EHWA03A-C15	Heater Package ①				X
WMCB-05A	Circuit Breaker Kit	X			
WMCB-02B	Circuit Breaker Kit		X		
WMCB-03B	Circuit Breaker Kit			X	
WMPD-01C	Toggle Disconnect Kit				X

① These heater packages are not suitable for installation in top outlet models.

NOTE: Top outlet models are available only as factory built.