

DX9000 Series
Video Storage Unit

Installation/
Operation Manual

C684M-A (7/01)



Pelco • 3500 Pelco Way • Clovis, CA 93612-5699 USA • Pelco Online @ www.pelco.com
In North America and Canada: Tel (800) 289-9100 • FAX (800) 289-9150 • DataFAX (800) 289-9108
International Customers: Tel +1(559) 292-1981 • FAX +1(559) 348-1120 • DataFAX +1(559) 292-0435
PelcoEurope BV • Dillenburg Center, Dillenburgstraat 7C • 5652 AM Eindhoven • The Netherlands
Tel +31(40) 251-9870 • FAX +31(40) 251-9835

DESCRIPTION

The DX9000 Series Video Storage Unit is one of the components of the DX9000 Series Digital Video Recorder system. The storage unit contains hard disks for storing video information from the DX9000 Series Digital Video Recorder. A total of four storage units can be connected to each recorder.

MODELS

| | |
|-----------|--|
| DX9219HDD | Storage unit with three hard disk drives totaling 219 GB |
| DX9438HDD | Storage unit with six hard disk drives totaling 438 GB |
| DX9657HDD | Storage unit with nine hard disk drives totaling 657 GB |

INSTALLATION

READ BEFORE BEGINNING YOUR INSTALLATION

The DX9000 system consists of three major components: digital video recorders (also referred to as servers), video storage units, and ViewStations (computers). Each piece of equipment is boxed separately and comes with its own documentation.

It is important that the equipment be installed in the proper sequence. Get the manuals for all three types of equipment. Keep the manuals together because you will have to go back and forth between the manuals as you install the equipment.

Start the installation with the recorders. Refer to the Installation/Operation Manual for the Digital Video Recorder.



CAUTION: Each storage unit has been pre-configured to operate with a specific recorder. The storage units must be connected to the proper recorder and in the proper order for the system to operate properly. There is a label on the outside of the packing box and also on the rear panel of the equipment. The recorder's label will have a name followed by a number 1, 2, 3, etc. The storage unit's label will have the same name followed by two sets of numbers, for example, 1-01. The first number is the recorder to which the storage unit is to be connected. The second number designates the SCSI connection location on the rear panel of the recorder. For this reason, consider mounting the recorder and storage units in a logical order.

Make sure all parts are present.

- 1 Video Storage Unit
- 1 SCSI cable
- 2 Power cords (1 USA standard and 1 European standard)
- 2 Adjustable support rails
- 8 Screws, 10-32 x .375-inch
- 8 10-32 nuts
- 4 Screws, 10-32 x .750-inch, Phillips, pan head, with washers
- 2 Keys

MOUNTING

Install all storage units that will connect to the same recorder. The video storage unit may be placed on a flat surface, such as a shelf, or it can be installed in a 19-inch (48.26 cm) equipment rack.

To install a storage unit in an equipment rack:

1. Attach the two adjustable support rails to the sides of the equipment rack. Refer the Figure 1. Use the eight 10-32 x .375-inch screws. If the rack does not have threaded mounting holes, also use the eight 10-32 nuts.
2. Place the unit on the support rails and fasten the rack ears to the rack with the four 10-32 x .750-inch, black, Phillips, pan head screws.

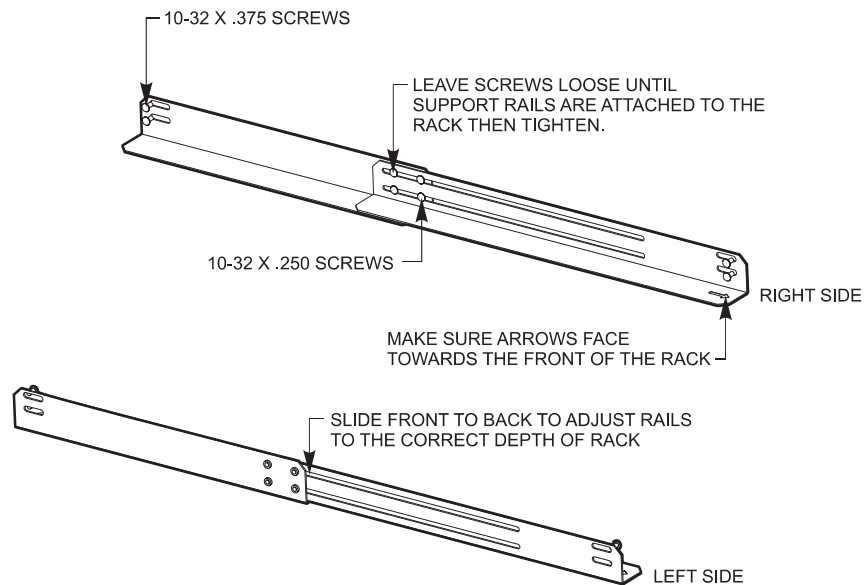


Figure 1. Installation of Support Rails

00773

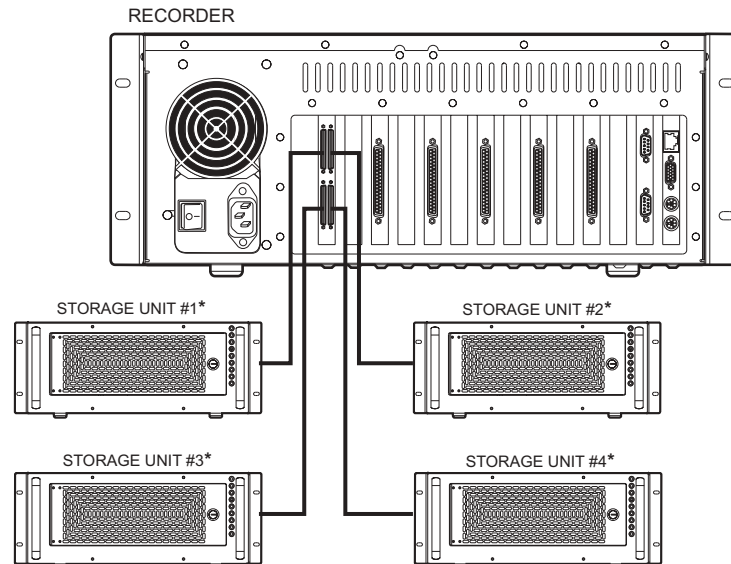
CONNECTIONS

One, two, three, or four video storage units can be connected to a recorder, depending on the requirements of your system.

Refer to Figure 2 to install the storage units.

1. Connect the appropriate end of the SCSI cable to the SCSI connector on each video storage unit.
2. Read the Caution Notice in the *Mounting* section. Connect the other end of the SCSI cable from each video storage unit to the SCSI connector in slot 1 of the recorder. Connect the first storage unit (labeled 01) to the upper left connector. Connect the second storage unit (labeled 02) to the upper right connector. Connect the third storage unit (labeled 03) to the lower left connector. Connect the fourth storage unit (labeled 04) to the lower right connector.
3. Select the appropriate power cord (USA or European standard) and plug it into the power receptacle on the back of each video storage unit. Plug the other end into a power supply, preferably through an uninterruptible power supply.
4. Turn on the power switch on the back of one of the video storage units. Then open the front door with the supplied key. Press the square button to turn on the power. Close the door. The LEDs on the front of the unit light to show the hard drives are working.
5. Repeat step 4 for each storage unit.
6. Turn on the power switch on the back of the recorder. Then open the front door with the supplied key. Press the square button to turn on the power. Close the door.
7. Go to the *System Configuration* section of the Installation/Operation Manual for the Digital Video Recorder to continue with the installation procedure.

NOTE: All video storage units connected to a recorder must be turned on before turning on the recorder.



** STORAGE UNITS ARE NUMBERED AND MUST BE CONNECTED TO THE PROPER CONNECTOR.

Figure 2. Connection Storage Units to Recorder

00850

SPECIFICATIONS

ELECTRICAL/VIDEO

| | |
|------------------------|--|
| Input Voltage: | 100-240 VAC, 50/60 Hz, auto-ranging |
| Power Consumption: | 250W maximum |
| Recording Resolution | |
| NTSC: | 352 x 240 pixels |
| PAL: | 384 x 288 pixels |
| Compression: | MPEG1 |
| Compressed Image Size: | 352 x 240; average 1.4 kB |
| Remote Control: | Full remote control via TCP/IP network |

MECHANICAL

| | |
|-----------------|--------------------|
| SCSI Connector: | Recorder interface |
|-----------------|--------------------|

GENERAL

| | |
|------------------------|--|
| Operating Temperature: | 41° to 104°F (5° to 40°C) |
| Relative Humidity: | Maximum 80% non-condensing |
| Dimensions | |
| Desktop: | 7.3 (H) x 17.0 (W) x 19.6 (D) inches (18.5 x 43.2 x 49.8 cm) |
| Rack Mount: | 7.0 (H) x 19.0 (W) x 19.6 (D) inches (17.8 x 48.3 x 49.8 cm) |
| Unit weight: | 45 lb (20.4 kg) maximum (fully equipped) |

(Design and product specifications subject to change without notice.)

REGULATORY NOTICES

This equipment has been tested and found to comply with the limits of a Class A digital device, pursuant to part 15 of the FCC rules. These limits are designed to provide reasonable protection against harmful interference when the equipment is operated in a commercial environment. This equipment generates, uses, and can radiate radio frequency energy and, if not installed and used in accordance with the instruction manual, may cause harmful interference to radio communications. Operation of this equipment in a residential area is likely to cause harmful interference in which case the user will be required to correct the interference at his own expense.

WARRANTY AND RETURN INFORMATION

WARRANTY

Pelco will repair or replace, without charge, any merchandise proved defective in material or workmanship for a period of one year after the date of shipment. Exceptions to this warranty are as noted below:

- Five years on Pelco manufactured cameras (CC3500/CC3600 and MC3500/ MC3600 Series); two years on all other cameras.
- Three years on Genex™ Series (multiplexers, server, and keyboard).
- Two years on all standard motorized and fixed focal length lenses.
- Two years on Legacy®, Camclosure™ Camera Systems, CM6700/CM6800/ CM8500/CM9500/CM9740/CM9750/CM9760 Matrix, DF5 Series and DF8 Fixed Dome products.
- Two years on Spectra® and Esprit™, including when used in continuous motion applications.
- Two years on WW5700 series window wiper (excluding wiper blades).
- Eighteen months on DX Series digital video recorders.
- Six months on all pan and tilts, scanners or preset lenses used in continuous motion applications (that is, preset scan, tour and auto scan modes).

Pelco assumes no risk and shall be subject to no liability for damages or loss resulting from the specific use or application made of the Products. Pelco's liability for any claim, whether based on breach of contract, negligence, infringement of any rights of any party or product liability, relating to the Products shall not exceed the price paid by the Dealer to Pelco for such Products. In no event will Pelco be liable for any special, incidental or consequential damages (including loss of use, loss of profit and claims of third parties) however caused, whether by the negligence of Pelco or otherwise.

The above warranty provides the Dealer with specific legal rights. The Dealer may also have additional rights, which are subject to variation from state to state.

If a warranty repair is required, the Dealer must contact Pelco at (800) 289-9100 or (559) 292-1981 to obtain a Repair Authorization number (RA), and provide the following information:

1. Model and serial number
2. Date of shipment, P.O. number, Sales Order number, or Pelco invoice number
3. Details of the defect or problem

If there is a dispute regarding the warranty of a product which does not fall under the warranty conditions stated above, please include a written explanation with the product when returned.

Method of return shipment shall be the same or equal to the method by which the item was received by Pelco.

RETURNS

In order to expedite parts returned to the factory for repair or credit, please call the factory at (800) 289-9100 or (559) 292-1981 to obtain an authorization number (CA number if returned for credit, and RA number if returned for repair). Goods returned for repair or credit should be clearly identified with the assigned CA/RA number and freight should be prepaid. All merchandise returned for credit may be subject to a 20% restocking and refurbishing charge.

Ship freight prepaid to: Pelco
3500 Pelco Way
Clovis, CA 93612-5699

REVISION HISTORY

| Manual # | Date | Comments |
|----------|------|---|
| C684M | 4/01 | Original version. |
| C684M-A | 7/01 | Revised <i>Description</i> , <i>Installation</i> , and <i>Connections</i> sections. Added FCC notice. |