



**OPERATOR'S MANUAL
MANUEL de L'UTILISATEUR
MANUAL del OPERADOR**



Cat. No.	Cat. No.
6148	6153-20
6149-20	6154-20
6151	6155-20
6152-20	6156-20
	6160-20

**HEAVY-DUTY SANDERS/GRINDERS
EXTRA ROBUSTE PONCEUSE-RECTIFIEUSE
LIJADORAS/ESMERILADORAS HEAVY-DUTY**

*TO REDUCE THE RISK OF INJURY, USER MUST READ AND UNDERSTAND OPERATOR'S MANUAL.
AFIN DE RÉDUIRE LE RISQUE DE BLESSURES, L'UTILISATEUR DOIT LIRE ET BIEN COMPRENDRE LE
MANUEL DE L'UTILISATEUR.
PARA REDUCIR EL RIESGO DE LESIONES, EL USUARIO DEBE LEER Y ENTENDER EL MANUAL DEL
OPERADOR.*

GENERAL SAFETY RULES — FOR ALL POWER TOOLS



WARNING!

READ ALL INSTRUCTIONS

Failure to follow all instructions listed below may result in electric shock, fire and/or serious injury. The term "power tool" in all of the warnings listed below refers to your mains-operated (corded) power tool or battery-operated (cordless) power tool.

SAVE THESE INSTRUCTIONS

WORK AREA SAFETY

1. **Keep work area clean and well lit.** Cluttered or dark areas invite accidents.
2. **Do not operate power tools in explosive atmospheres, such as in the presence of flammable liquids, gases, or dust.** Power tools create sparks which may ignite the dust or fumes.
3. **Keep children and bystanders away while operating a power tool.** Distractions can cause you to lose control.

ELECTRICAL SAFETY

4. **Power tool plugs must match the outlet. Never modify the plug in any way. Do not use any adapter plugs with earthed (grounded) power tools.** Unmodified plugs and matching outlets will reduce risk of electric shock.
5. **Avoid body contact with earthed or grounded surfaces such as pipes, radiators, ranges and refrigerators.** There is an increased risk of electric shock if your body is earthed or grounded.
6. **Do not expose power tools to rain or wet conditions.** Water entering a power tool will increase the risk of electric shock.
7. **Do not abuse the cord. Never use the cord for carrying, pulling, or unplugging the power tool. Keep cord away from heat, oil, sharp edges, or moving parts.** Damaged or entangled cords increase the risk of electric shock.
8. **When operating a power tool outdoors, use an extension cord suitable for outdoor use.** Use of a cord suitable for outdoor use reduces the risk of electric shock.

PERSONAL SAFETY

9. **Stay alert, watch what you are doing and use common sense when operating a power tool. Do not use a power tool while you are tired or under the influence of drugs, alcohol or medication.** A moment of inattention while operating power tools may result in serious personal injury.
10. **Use safety equipment. Always wear eye protection.** Safety equipment such as dust mask, non-skid safety shoes, hard hat, or hearing protection used for appropriate conditions will reduce personal injuries.
11. **Avoid accidental starting. Ensure the switch is in the off-position before plugging in.** Carrying tools with your finger on the switch or plugging in power tools that have the switch on invites accidents.
12. **Remove any adjusting key or wrench before turning the power tool on.** A wrench or a key left attached to a rotating part of the power tool may result in personal injury.
13. **Do not overreach. Keep proper footing and balance at all times.** This enables better control of the power tool in unexpected situations.
14. **Dress properly. Do not wear loose clothing or jewellery. Keep your hair, clothing and gloves away from moving parts.** Loose clothes, jewellery, or long hair can be caught in moving parts.
15. **If devices are provided for the connection of dust extraction and collection facilities, ensure these are connected and properly used.** Use of these devices can reduce dust-related hazards.

POWER TOOL USE AND CARE

16. **Do not force the power tool. Use the correct power tool for your application.** The correct power tool will do the job better and safer at the rate for which it was designed.
17. **Do not use the power tool if the switch does not turn it on and off.** Any power tool that cannot be controlled with the switch is dangerous and must be repaired.
18. **Disconnect the plug from the power source and/or the battery pack from the power tool before making any adjustments, changing accessories, or storing power tools.** Such preventive safety measures reduce the risk of starting the tool accidentally.
19. **Store idle power tools out of the reach of children and do not allow persons unfamiliar with the power tools or these instructions to operate power tools.** Power tools are dangerous in the hands of untrained users.
20. **Maintain power tools. Check for misalignment or binding of moving parts, breakage of parts and any other condition that may affect the power tool's operation. If damaged, have the power tool repaired before use.** Many accidents are caused by poorly maintained power tools.
21. **Keep cutting tools sharp and clean.** Properly maintained cutting tools with sharp cutting edges are less likely to bind and are easier to control.
22. **Use the power tool, accessories and tool bits etc., in accordance with these instructions and in the manner intended for the particular type of power tool, taking into account the working conditions and the work to be performed.** Use of the power tool for operations different from those intended could result in a hazardous situation.

SERVICE








23. **Have your power tool serviced by a qualified repair person using only identical replacement parts.** This will ensure that the safety of the power tool is maintained.

SPECIFIC SAFETY RULES — SANDERS AND GRINDERS

1. **Always use proper guard with grinding wheel.** A guard protects operator from broken wheel fragments.
2. **Accessories must be rated for at least the speed recommended on the tool warning label.** Wheels and other accessories running over rated speed can fly apart and cause injury.
3. **Hold power tools by insulated gripping surfaces when performing an operation where the cutting tool may contact hidden wiring or its own cord.** Contact with a "live" wire will make exposed metal parts of the tool "live" and shock the operator.
4. **Keep hands away from all cutting edges and moving parts.**
5. **Maintain labels and nameplates.** These carry important information. If unreadable or missing, contact a *MILWAUKEE* service facility for a free replacement.
6. **WARNING!** Some dust created by power sanding, sawing, grinding, drilling, and other construction activities contains chemicals known to cause cancer, birth defects or other reproductive harm. Some examples of these chemicals are:
 - lead from lead-based paint
 - crystalline silica from bricks and cement and other masonry products, and
 - arsenic and chromium from chemically-treated lumber.

Your risk from these exposures varies, depending on how often you do this type of work. To reduce your exposure to these chemicals: work in a well ventilated area, and work with approved safety equipment, such as those dust masks that are specially designed to filter out microscopic particles.

Symbology

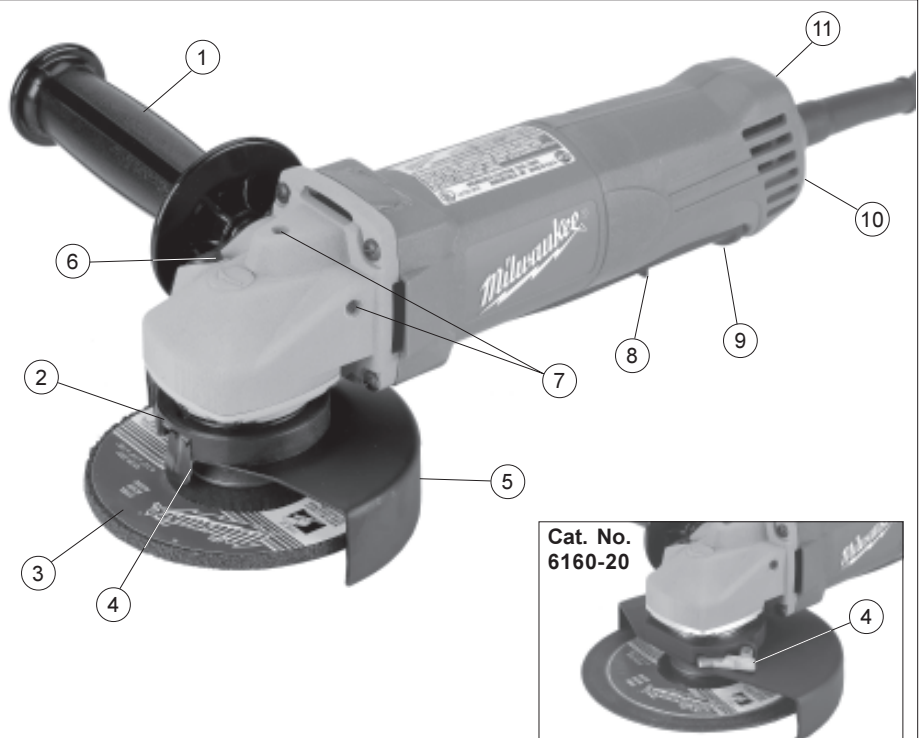
	Double Insulated
	Volts Alternating Current/ Direct Current
	Amps
	No Load Revolutions per Minute (RPM)
	Underwriters Laboratories, Inc.
	Canadian Standards Association
	Mexican Approvals Marking

Specifications

Cat. No.	Volts	Input Watts	Amps	No Load RPM	Spindle Thread Size	Wheel Size	Min. Wheel RPM Rating
6148	120 AC/DC	1000	8.5	10000	5/8"-11	4-1/2"	12000
6149-20	120 AC/DC	1000	8.5	10000	5/8"-11	5"	12000
6151	120 AC/DC	1000	8.5	10000	5/8"-11	4-1/2"	12000
6152-20	120 AC/DC	1000	8.5	10000	5/8"-11	5"	12000
6153-20	120 AC/DC	1400	12	11000	5/8"-11	4-1/2"	12000
6154-20	120 AC	1400	12	4000-11000	5/8"-11	4-1/2"	12000
6155-20	120 AC/DC	1400	12	11000	5/8"-11	5"	12000
6156-20	120 AC	1400	12	4000-11000	5/8"-11	5"	12000
6160-20	120 AC	1300	11	9000	5/8"-11	6"	10000

FUNCTIONAL DESCRIPTION

1. Side handle
2. Guard clamp
3. Grinding wheel
4. Lock lever
5. Wheel guard
6. Spindle lock button
7. Side handle sockets
8. Lock-off button
9. Paddle trigger (under body of tool)
10. Lock-on button (Cat. No. 6148, 6149-20, 6154-20, & 6156-20 only)
11. Speed control dial (Cat. No. 6154-20 & 6156-20 only)



GROUNDING



Improperly connecting the grounding wire can result in the risk of electric shock. Check with a qualified electrician if you are in doubt as to whether the outlet is properly grounded. Do not modify the plug provided with the tool. Never remove the grounding prong from the plug. Do not use the tool if the cord or plug is damaged. If damaged, have it repaired by a **MILWAUKEE** service facility before use. If the plug will not fit the outlet, have a proper outlet installed by a qualified electrician.

Grounded Tools: Tools with Three Prong Plugs

Tools marked "Grounding Required" have a three wire cord and three prong grounding plug. The plug must be connected to a properly grounded outlet (See Figure A). If the tool should electrically malfunction or break down, grounding provides a low resistance path to carry electricity away from the user, reducing the risk of electric shock.

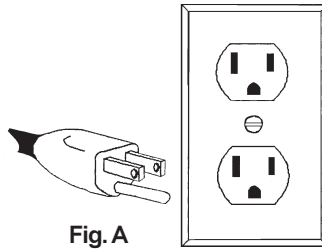


Fig. A

The grounding prong in the plug is connected through the green wire inside the cord to the grounding system in the tool. The green wire in the cord must be the only wire connected to the tool's grounding system and must never be attached to an electrically "live" terminal.

Your tool must be plugged into an appropriate outlet, properly installed and grounded in accordance with all codes and ordinances. The plug and outlet should look like those in Figure A.

Double Insulated Tools: Tools with Two Prong Plugs

Tools marked "Double Insulated" do not require grounding. They have a special double insulation system which satisfies OSHA requirements and complies with the applicable standards of Underwriters Laboratories, Inc., the Canadian Standard Association and the National Electrical Code. Double Insulated tools may be used in either of the 120 volt outlets shown in Figures B and C.

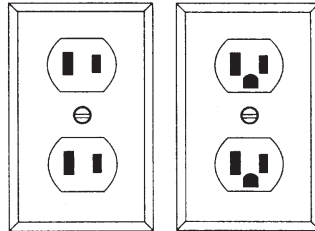


Fig. B

Fig. C

EXTENSION CORDS

Grounded tools require a three wire extension cord. Double insulated tools can use either a two or three wire extension cord. As the distance from the supply outlet increases, you must use a heavier gauge extension cord. Using extension cords with inadequately sized wire causes a serious drop in voltage, resulting in loss of power and possible tool damage. Refer to the table shown to determine the required minimum wire size.

The smaller the gauge number of the wire, the greater the capacity of the cord. For example, a 14 gauge cord can carry a higher current than a 16 gauge cord. When using more than one extension cord to make up the total length, be sure each cord contains at least the minimum wire size required. If you are using one extension cord for more than one tool, add the nameplate amperes and use the sum to determine the required minimum wire size.

Guidelines for Using Extension Cords

- If you are using an extension cord outdoors, be sure it is marked with the suffix "W-A" ("W" in Canada) to indicate that it is acceptable for outdoor use.
- Be sure your extension cord is properly wired and in good electrical condition. Always replace a damaged extension cord or have it repaired by a qualified person before using it.
- Protect your extension cords from sharp objects, excessive heat and damp or wet areas.

Recommended Minimum Wire Gauge for Extension Cords*

Nameplate Amperes	Extension Cord Length					
	25'	50'	75'	100'	150'	200'
0 - 5	16	16	16	14	12	12
5.1 - 8	16	16	14	12	10	--
8.1 - 12	14	14	12	10	--	--
12.1 - 15	12	12	10	10	--	--
15.1 - 20	10	10	10	--	--	--

* Based on limiting the line voltage drop to five volts at 150% of the rated amperes.

**READ AND SAVE ALL INSTRUCTIONS
FOR FUTURE USE.**

TOOL ASSEMBLY

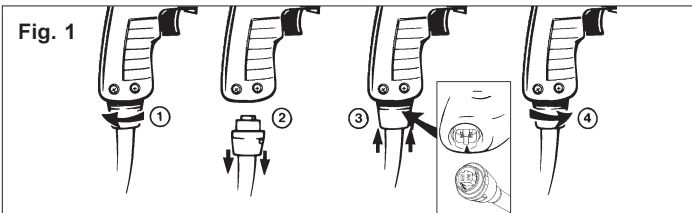


WARNING!

Wear safety goggles or glasses with side shields. Always unplug tool before attaching or removing accessories. Only use accessories specifically recommended for these tools. Others may be hazardous. Protect others in work area from debris such as chips and sparks. Provide barriers or shields as needed.

Removing and Replacing Quik-Lok® Cords (Fig. 1)

MILWAUKEE's exclusive Quik-Lok® Cords provide instant field replacement or substitution.



1. To remove the Quik-Lok® Cord, turn the cord nut 1/4 turn to the left and pull it out.
2. To replace the Quik-Lok® Cord, align the connector keyways and push the connector in as far as it will go. Turn the cord nut 1/4 turn to the right to lock.

Installing Side Handle

The side handle may be installed on the top of the gear case or on either side of gear case for right or left handed use. Position side handle in the location which offers best control and guard protection. To install, thread side handle into side handle socket on desired side of gear case and tighten securely.

OPERATION



WARNING!

To reduce the risk of injury, wear safety goggles or glasses with side shields. Unplug the tool before changing accessories or making adjustments.

Controlled Start (Cat. No. 6154-20, 6156-20, and 6160-20)

When used on 120 Volts AC, the controlled start feature reduces the torque reaction "jerk" when its trigger is pulled. The controlled start feature works only with AC.

Speed Control Dial (Cat. No. 6154-20 and 6156-20)

The speed control dial controls the sander/grinder's maximum rotations per minute. Dial settings range from numbers 1 through 5. Lower numbers correspond to lower speeds and higher numbers correspond to higher speeds. Use the setting that best suits your job.

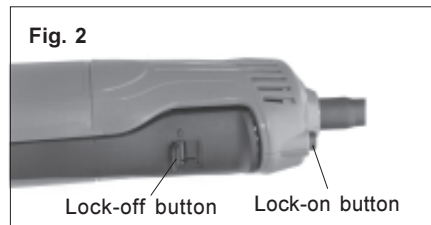
1. To control the speed, set the dial to the desired number.
2. Pull the trigger.
3. To stop the tool, release the trigger.

Constant Speed Tachometer (Cat. No. 6160-20)

The constant speed tachometer, which keeps the tool's revolutions per minute (9000 RPM) at an almost constant speed even under load. The tachometer also helps prevent tool overheating. The tool switches itself off automatically when the motor is overloaded. It can be restarted by squeezing the paddle trigger again.

Starting and Stopping the Motor (Fig. 2)

Fig. 2



1. Plug in the tool.
2. To start the tool, flip the lock-off button and simultaneously squeeze the paddle trigger.
3. Release paddle trigger to stop tool.

Lock-On Button (Fig. 2) (Cat. No. 6148, 6149-20, 6154-20 & 6156-20)

The lock-on button holds the trigger in the ON position for continuous full speed use.

1. To lock the paddle trigger, hold in the lock-on button after pulling the paddle trigger. Then release the paddle trigger.
2. To unlock the paddle trigger. Pull the paddle trigger and release. The lock-on button will pop out.

Sanding Disc and Grinding Wheel Selection



WARNING!

To reduce the risk of personal injury and damage to the tool, use ONLY accessories rated at or above the RPM listed on the "WARNING" section of the tool's nameplate.

Use sanding discs and grinding wheels that are:

- correct size as written on tool's nameplate.
- correct wheel type and grit for the job.
- rated at or above the RPM listed in the "WARNING" section on the tool's nameplate.

Use backing pads, adapters, and other accessories that are:

- correct size for tool and for sanding disc or grinding wheel.
- rated at or above the RPM listed in the "WARNING" section on the tool's nameplate.
- the proper accessory for the job.

Sanding Disc and Grinding Wheel Material

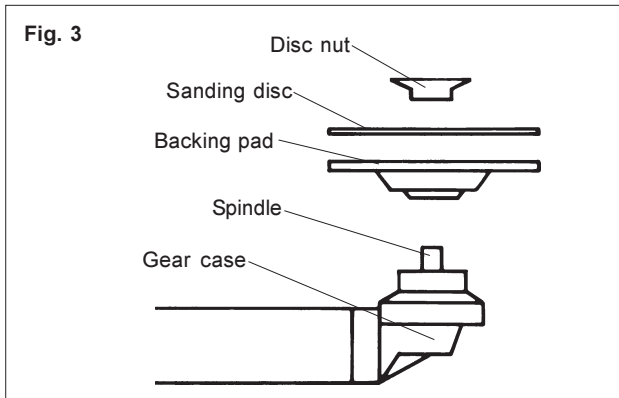
Sanding discs and grinding wheels are made of various materials and are designed for different jobs. Be sure that you choose the proper sanding disc or grinding wheel for the job you plan to do.

Selecting Sanding Discs & Grit

Refer to the table below to select the correct type of sanding disc for your job. Generally, use 24 or 36 grit for heavy stock removal; 50, 60, or 80 grit for medium stock removal and 120 grit for finishing. Always begin with a coarse grit, using successively finer grits to obtain the desired finish. See your *MILWAUKEE* Electric Tool Catalog for a complete list of sanding discs.

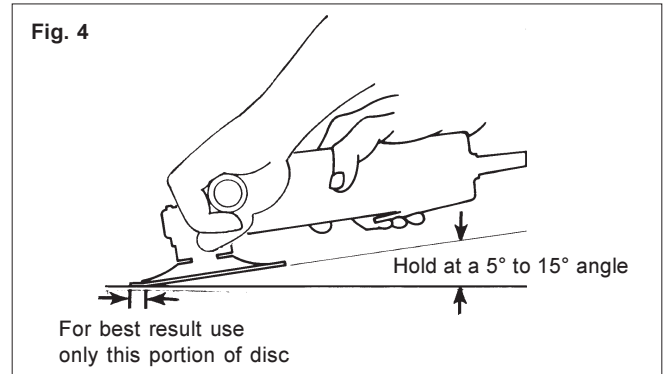
Aluminum Oxide	Aluminum Zirconia Bi-Cut	Ceramic
For fast cutting, general purpose discs for most metal jobs. Best for cold-rolled steel, stainless steel or metals requiring tough, fast cutting, long lasting abrasives.	Unique grit pattern is arranged in clusters for faster stock removal and cleaning. Ideal for removing paint from cars, boats, etc. without clogging.	Lasts up to 3 times longer than Aluminum Oxide Discs. For general metal working. Ideal for tough jobs.

Installing Backing Pad and Sanding Discs (Fig. 3)



1. Unplug tool and place it upside down on a level surface. Remove any accessories from spindle.
2. Slip backing pad onto spindle with flat side away from gear case.
3. Place sanding disc on backing pad and secure assembly to spindle with disc nut.
4. To tighten, press the spindle lock button while turning disc nut clockwise with the spanner wrench provided.
5. To remove backing pad and sanding disc, unplug tool and reverse procedure.

Sanding (Fig. 4)



1. Use a clamp, vise or other practical means to hold your work, freeing both hands to control your tool. Firmly grasp body of tool and side handle before starting and while tool is in operation. Allow sanding disc to come to full speed before beginning to sand.
2. Hold sander/grinder at 5° to 15° angle (Fig. 4) to ensure proper sanding pressure and control. Too great an angle will result in too much pressure and could cause excessive wear to the disc and workpiece. Too small an angle will reduce control.
3. Use long, sweeping, side to side strokes, advancing forward to produce the desired finish.

Removing Welds or Hammer Marks

When removing welds or hammer marks, limit coarse sanding to the immediate area. Use successively finer grits to smooth surface.

Cross Sanding

When finishing a surface that has been prepared by a coarse disc or wheel, sand at right angles to the strokes made by the coarser disc. Finishing marks left from previous sanding are easily seen and removed for a uniform finish. Failure to cross sand when changing from a coarse disc to a finishing disc may result in deep scratches and circular marks.

Finishing Metal

Constantly move across the surface. Work faster on curved surfaces where contact areas are smaller and pressure is greater. Flat areas may appear at the end of the stroke when pressure is too heavy. Ease up on pressure at end of each stroke and when reversing strokes.

Troubleshooting

Deep scratches and circular marks can result from:

- Using too coarse a grit
- Using a partially glazed disc
- Dirt or loose metal on the workpiece
- Failure to sand across the grain when changing from coarse to finishing discs
- Failure to use closed coated discs to reduce the problem of grains working loose and scratching the workpiece

Bluish discoloration of metal surface indicates:

- Excessive heat caused by circular motion in a small area
- Excessive pressure
- Use of worn out or glazed discs

Grinding and Cut-off Wheels



WARNING!

Only use wheels with Maximum Safe Operating Speed rated at or above the RPM listed on the "WARNING" section of the tool's nameplate. This speed is based on the strength of the wheel, allowing for a reasonable measure of safety. It is not meant to imply a best or most efficient operating speed. Do not exceed the Maximum Safe Operating Speed.

Always handle wheels carefully to avoid damage. Before installing any wheel, always inspect it for cracks. If wheel is cracked, discard it to prevent others from using it.



WARNING!

To reduce the risk of injury, the operator should be instructed in the use, care and protection of grinding wheels.

Care of Grinding & Cut-Off Wheels

Grinding and cut-off wheels should be protected from:

- wetness and extreme humidity
- any type of solvent
- extreme changes in temperature
- dropping and bumping

Grinding and cut-off wheels should be stored:

- in an organized way so wheels can be removed without disturbing or damaging other wheels
- with their safety information

Grinding and cut-off wheels should NOT be:

- dropped
- rolled
- bumped

If any wheel is dropped, rolled, bumped, subjected to extreme changes in temperature, or has come into contact with solvents or wetness, discard wheel immediately.



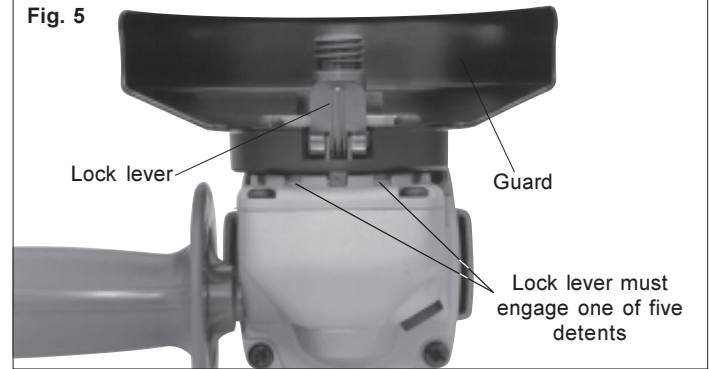
WARNING!

To reduce the risk of injury when grinding:

- **ALWAYS** use the proper guard.
- **ALWAYS** properly install the guard.
- **ALWAYS** hold the tool firmly with both hands using the handles provided before and during grinding.
- **NEVER** use a wheel that has been dropped.
- **NEVER** bang grinding disc onto work.
- **NEVER** grind without proper safety equipment.

Installing, Removing and Adjusting the Guard (Fig. 5 & 6) Cat. No. 6148, 6149-20, 6151, 6152-20, 6153-20, 6154-20, 6155-20, 6156-20

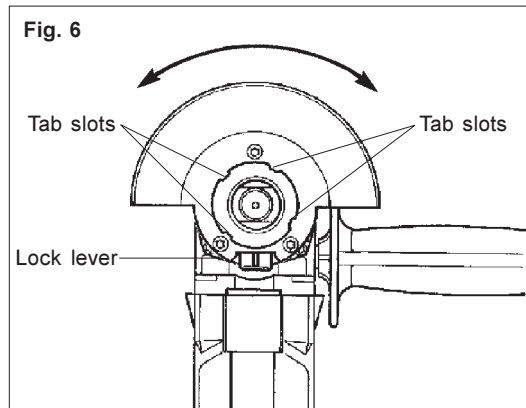
Fig. 5



This tool is shipped with the guard installed. The guard must be used when using the tool as a grinder. The guard should be removed when using tool as a sander.

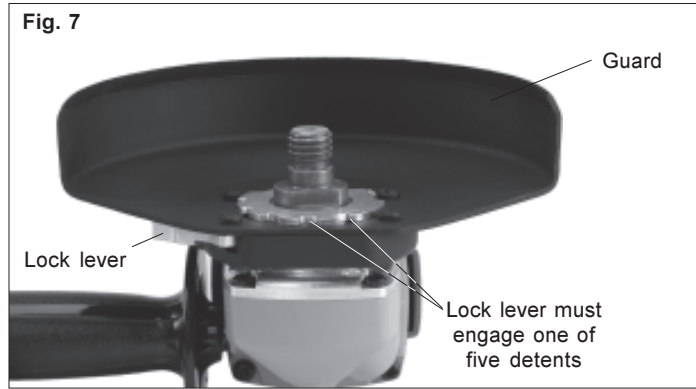
1. To **remove** the guard, unplug tool and place it upside down on a level surface. Remove any accessories from spindle.
2. Press in the lock lever and rotate the guard to line up the four tabs with the four slots (Fig. 6).

Fig. 6



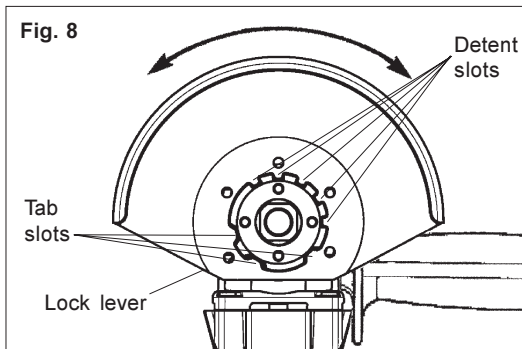
3. Lift the guard straight up and away from the tool.
4. To **install** the guard, unplug the tool and place it upside down on a level surface. Remove any accessories from the spindle.
5. Line up the four tabs with the four slots (Fig. 6).
6. Press down the guard onto the tool.
7. Press in the lock lever and rotate the guard to one of the five detent slots. The lock lever must engage with one of the detent slots.
8. To **adjust** the guard, press in the lock lever and rotate the guard to one of the five detent slots.

**Installing, Removing and Adjusting the Guard (Cat. No. 6160-20)
(Fig. 7 & 8)**



This tool is shipped without the guard installed. The guard must be used when using the tool as a grinder. The guard should be removed when using tool as a sander.

1. To **remove** the guard, unplug tool and place it upside down on a level surface. Remove any accessories from spindle.
2. Press in the lock lever and rotate the guard to line up the tabs with the slots, as shown (Fig. 8).



3. Press in the lock lever and lift the guard straight up and away from the tool.
4. To **install** the guard, unplug the tool and place it upside down on a level surface. Remove any accessories from the spindle.
5. Line up the tabs with the slots, as shown (Fig. 8).
6. Press in the lock lever and press the guard down onto the tool.
7. Press in the lock lever and rotate the guard clockwise to one of the five detent slots. The lock lever must engage with one of the detent slots.
8. To **adjust** the guard, press in the lock lever and rotate the guard to one of the five detent slots (Fig. 8).



WARNING!

To reduce the risk of injury when grinding:

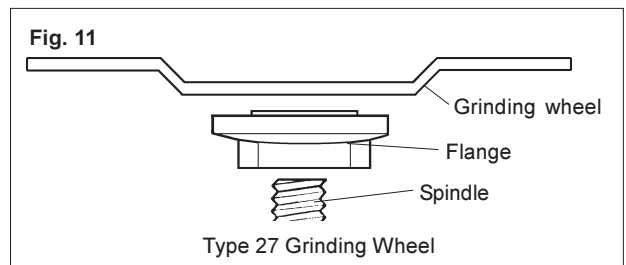
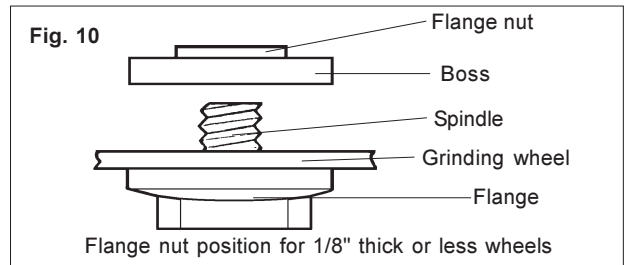
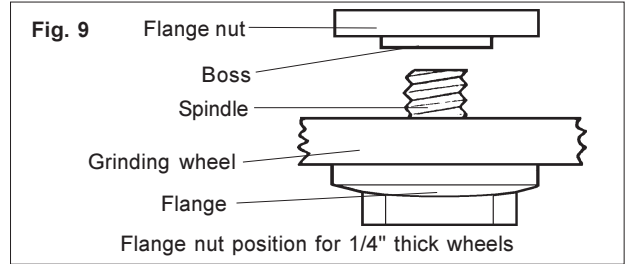
- ALWAYS use the proper guard.
- ALWAYS properly install the guard.
- ALWAYS hold the tool firmly with both hands using the handles provided before and during grinding.
- NEVER use a wheel that has been dropped.
- NEVER bang grinding disc onto work.
- NEVER grind without proper safety equipment.

Selecting Wheels

Grinding is the cutting action of thousands of abrasive grains on the face of a grinding wheel. When grinding metals such as steel and iron, choose an aluminum oxide grinding wheel. Select a silicon carbide grinding wheel for stone and concrete. Use cotton reinforced wheels for non-ferrous metals.

Type 27 Reinforced 1/8" thick or less Cut-Off Wheels are suited for small cut-off and shallow notching operations only.

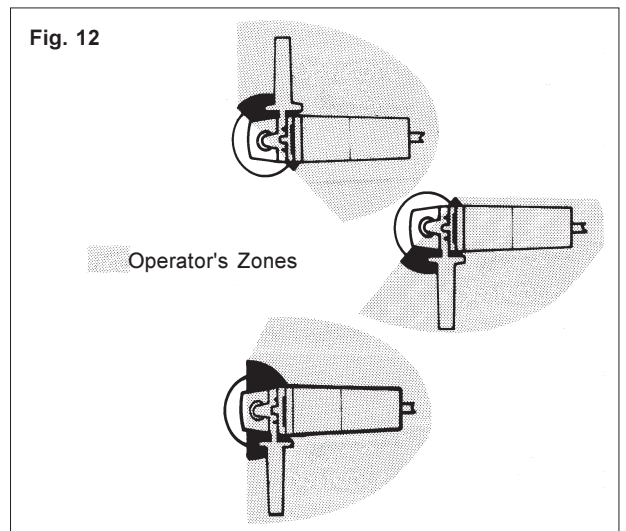
Installing Grinding Wheels (Fig. 9, 10, 11 & 12)



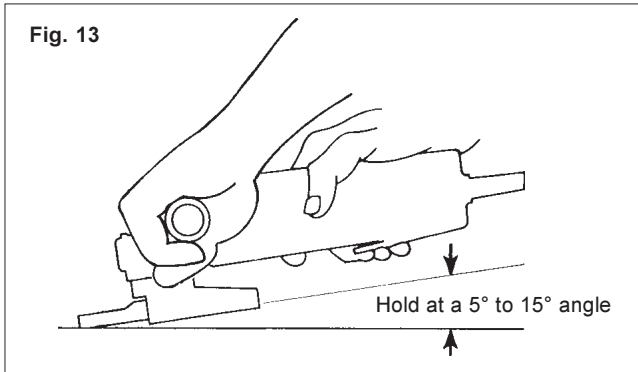
WARNING!

To reduce the risk of injury, do not use the spindle lock button to stop the spindle while the tool is in use or is coasting after shut-off. This will result in tool damage.

1. When guard is properly positioned, place flange on spindle with flange facing away from tool.
2. Place selected wheel on spindle and align with flange. Position flange nut according to wheel thickness (Fig. 9, 10 and 11).
3. Press the spindle lock button while turning flange nut clockwise. Tighten securely with the spanner wrench provided.
4. To **remove** wheel, unplug tool and reverse procedure.



Grinding (Fig. 13)



1. If you have just installed a grinding wheel or are just beginning a period of work, test wheel by letting it spin for one minute before applying it to the workpiece.
NOTE: Out-of-balance wheels can mar workpiece, damage the tool, and cause stress to wheel that may cause wheel failure.
2. Firmly grasp body of tool and side handle before starting and while using tool. Allow wheel to come to full speed before starting to grind.
3. When grinding, hold sander/grinder at a 5° to 15° angle, using constant pressure for a uniform finish. Too great an angle causes concentrated pressure on small areas which may gouge or burn work surface.
4. Control pressure and surface contact between disc and workpiece. Too much pressure slows cutting speed.



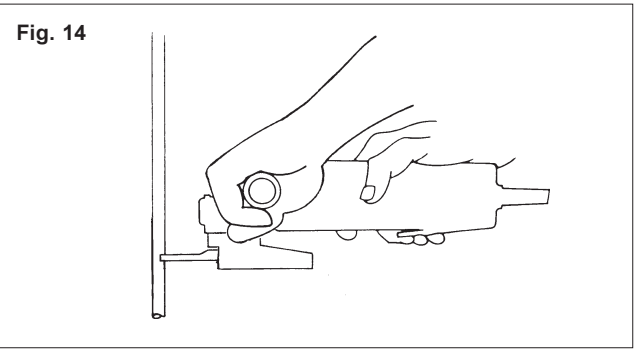
WARNING!

A Type "1" guard must be installed when using a cut-off wheel to provide maximum protection for the operator if the wheel should break.

Using Cut-Off Wheels (Fig. 14)

Type "1" Cut-Off Wheels are suited for small cut-off and shallow notching operations only.

1. Firmly grasp body of tool and side handle before starting and while using tool. Allow wheel to come to full speed before starting.
2. When using a cut-off wheel, hold Sander/Grinder as shown, using only the edge of the wheel.



3. Control pressure and surface contact between disc and workpiece. Too much pressure slows cutting speed.



WARNING!

Using the face of a Cut-Off Wheel (as in grinding) will cause the Wheel to crack and break, resulting in serious personal injury.

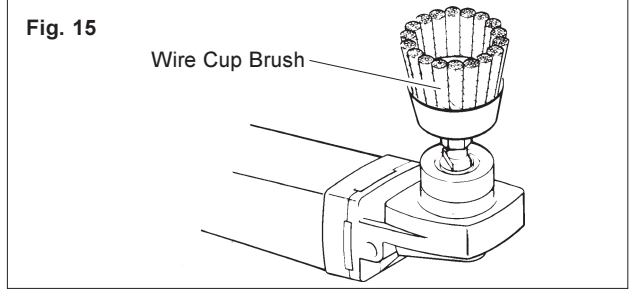
Installing Wire Cup Brushes (Fig. 15)



WARNING!

Everyone in the area must wear protective clothing and safety goggles or face shields. Fatigued wires and residue will fly off the brush with considerable force, causing potential for serious injury.

1. Unplug tool and place it upside down on a level surface as shown. Remove any accessories from spindle.



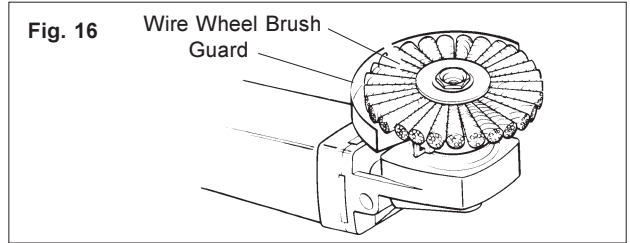
2. To install, thread wire cup brush onto spindle. Press the spindle lock button while tightening brush with a 7/8" open end wrench (not provided with tool).
3. To remove wire cup brush, unplug tool and reverse procedure.

Using Wire Wheel Brushes (Fig. 16)



WARNING!

Because the wires on wire wheel brushes are directed towards the operator, a guard must be used to protect the operator when fatigued wires break.



Wire wheel brushes are useful for removing rust, scale, burrs, weld slag, etc. A wide variety of wire brushes are available for many applications.

Test wire wheel brush for balance and loose or damaged wires by running tool at no load speed for at least one minute before applying it to your work. During this time, no one should stand in front of or in line with it. When applying brush to work, avoid using too much pressure. This causes over-bending of wires and heat build-up resulting in premature wire breakage, rapid dulling and reduced brush life. Instead of using more pressure, try a wire wheel brush with more aggressive cutting action (increased wire size, decreased wire length or different brush type, i.e. knot type instead of crimped wire type).



WARNING!

Never exceed Maximum Safe Operating Speed of brush. Do not use a damaged brush or one which is functioning improperly (throwing wires, out-of balance, etc.). these conditions increase the possibility of further brush failure and possible injury. Discard and replace damaged brushes immediately.

MAINTENANCE



WARNING!

To reduce the risk of injury, always unplug your tool before performing any maintenance. Never disassemble the tool or try to do any rewiring on the tool's electrical system. Contact a **MILWAUKEE** service facility for ALL repairs.

Maintaining Tools

Keep your tool in good repair by adopting a regular maintenance program. Before use, examine the general condition of your tool. Inspect guards, switches, tool cord set and extension cord for damage. Check for loose screws, misalignment, binding of moving parts, improper mounting, broken parts and any other condition that may affect its safe operation. If abnormal noise or vibration occurs, turn the tool off immediately and have the problem corrected before further use. Do not use a damaged tool. Tag damaged tools "DO NOT USE" until repaired (see "Repairs").

Under normal conditions, relubrication is not necessary until the motor brushes need to be replaced. After six months to one year, depending on use, return your tool to the nearest **MILWAUKEE** service facility for the following:

- Lubrication
- Brush inspection and replacement
- Mechanical inspection and cleaning (gears, spindles, bearings, housing, etc.)
- Electrical inspection (switch, cord, armature, etc.)
- Testing to assure proper mechanical and electrical operation



WARNING!

To reduce the risk of injury, electric shock and damage to the tool, never immerse your tool in liquid or allow a liquid to flow inside the tool.

Cleaning

Clean dust and debris from vents. Keep the tool handles clean, dry and free of oil or grease. Use only mild soap and a damp cloth to clean your tool since certain cleaning agents and solvents are harmful to plastics and other insulated parts. Some of these include: gasoline, turpentine, lacquer thinner, paint thinner, chlorinated cleaning solvents, ammonia and household detergents containing ammonia. Never use flammable or combustible solvents around tools.

Repairs

If your tool is damaged, return the entire tool to the nearest service center.

ACCESSORIES



WARNING!

To reduce the risk of injury, always unplug the tool before attaching or removing accessories. Use only specifically recommended accessories. Others may be hazardous.

For a complete listing of accessories refer to your **MILWAUKEE** Electric Tool catalog or go on-line to www.milwaukeetool.com. To obtain a catalog, contact your local distributor or a service center.

FIVE YEAR TOOL LIMITED WARRANTY

Every **MILWAUKEE** tool is tested before leaving the factory and is warranted to be free from defects in material and workmanship. **MILWAUKEE** will repair or replace (at **MILWAUKEE**'s discretion), without charge, any tool (including battery chargers) which examination proves to be defective in material or workmanship from five (5) years after the date of purchase. Return the tool and a copy of the purchase receipt or other proof of purchase to a **MILWAUKEE** Factory Service/Sales Support Branch location or **MILWAUKEE** Authorized Service Station, freight prepaid and insured. This warranty does not cover damage from repairs made or attempted by other than **MILWAUKEE** authorized personnel, abuse, normal wear and tear, lack of maintenance, or accidents.

Battery Packs, Flashlights, and Radios are warranted for one (1) year from the date of purchase.

THE REPAIR AND REPLACEMENT REMEDIES DESCRIBED HEREIN ARE EXCLUSIVE. IN NO EVENT SHALL **MILWAUKEE** BE LIABLE FOR ANY INCIDENTAL, SPECIAL, OR CONSEQUENTIAL DAMAGES, INCLUDING LOSS OF PROFITS.

THIS WARRANTY IS EXCLUSIVE AND IN LIEU OF ALL OTHER WARRANTIES, OR CONDITIONS, WRITTEN OR ORAL, EXPRESSED OR IMPLIED FOR MERCHANTABILITY OR FITNESS FOR PARTICULAR USE OR PURPOSE.

This warranty gives you specific legal rights. You may also have other rights that vary from state to state and province to province. In those states that do not allow the exclusion of implied warranties or limitation of incidental or consequential damages, the above limitations or exclusions may not apply to you. This warranty applies to the United States, Canada, and Mexico only.

RÈGLES GÉNÉRALES DE SÉCURITÉ POUR LES OUTILS ÉLECTRIQUE



AVERTISSEMENT!

LIRE SOIGNEUSEMENT TOUTES LES INSTRUCTIONS

Le non respect des instructions ci-après peut entraîner des chocs électriques, des incendies et/ou des blessures graves. Le terme «outil électrique» figurant dans les avertissements ci-dessous renvoie à l'outil électrique à alimentation par le réseau (à cordon) ou par batterie (sans fil).

CONSERVER CES INSTRUCTIONS

SÉCURITÉ DU LIEU DE TRAVAIL

1. **Maintenir la zone de travail propre et bien éclairée.** Les zones encombrées ou mal éclairées sont favorables aux accidents.
2. **Ne pas utiliser d'outil électrique dans une atmosphère explosive, telle qu'en en présence de liquides, de gaz ou de poussières inflammables.** Les outils électriques génèrent des étincelles qui peuvent enflammer les poussières ou les fumées.
3. **Tenir les enfants et les personnes non autorisées à l'écart pendant le fonctionnement d'un outil électrique.** Un manque d'attention de l'opérateur risque de lui faire perdre le contrôle de l'outil.

SÉCURITÉ ÉLECTRIQUE

4. **La fiche de l'outil électrique doit correspondre à la prise d'alimentation. Ne jamais modifier la fiche d'une manière quelconque. Ne pas utiliser d'adaptateur avec les outils électriques mis à la terre (à la masse).** Des fiches non modifiées et des prises d'alimentation assorties réduisent le risque de choc électrique.
5. **Éviter tout contact corporel avec des surfaces reliées à la masse ou à la terre telles que tuyaux, radiateurs, cuisinières et réfrigérateurs.** Un risque de choc électrique plus élevé existe si le corps est relié à la masse ou à la terre.
6. **Ne pas exposer les outils électriques à la pluie ou à l'humidité.** Le risque de choc électrique augmente si de l'eau s'infiltré dans un outil électrique.
7. **Prendre soin du cordon. Ne jamais utiliser le cordon pour transporter, tirer ou débrancher l'outil électrique. Tenir le cordon à l'écart de la chaleur, des huiles, des arêtes coupantes ou des pièces en mouvement.** Un cordon endommagé ou emmêlé présente un risque de choc électrique.
8. **Se procurer un cordon d'alimentation approprié en cas d'utilisation d'un outil électrique à l'extérieur.** L'utilisation d'un cordon d'alimentation pour usage extérieur réduit le risque de choc électrique.

SÉCURITÉ INDIVIDUELLE

9. **Être sur ses gardes, être attentif et faire preuve de bon sens en utilisant un outil électrique. Ne pas utiliser un outil électrique en cas de fatigue ou sous l'influence de drogues, d'alcool ou de médicaments.** Un instant d'inattention lors de l'utilisation d'un outil électrique peut entraîner des blessures graves.
10. **Utiliser un équipement de sécurité. Toujours porter des lunettes de protection.** Un équipement de sécurité comprenant masque anti-poussière, chaussures de sécurité anti-dérapantes, casque ou dispositif de protection anti-bruit peut, dans les circonstances appropriées, réduire le risque de blessure.
11. **Éviter tout démarrage accidentel de l'outil. S'assurer que le commutateur est en position OFF (Arrêt) avant de brancher l'outil.** Le port de l'outil avec un doigt sur le commutateur ou son branchement avec le commutateur en position ON (Marche) sont favorables aux accidents.
12. **Retirer toute clé de réglage avant de mettre l'outil sous tension.** Une clé laissée attachée sur une pièce mobile de l'outil électrique peut entraîner des blessures.

13. **Ne pas travailler à bout de bras. Bien garder un bon équilibre à tout instant.** Ceci permet de mieux préserver la maîtrise de l'outil électrique dans des situations imprévues.
14. **Porter des vêtements adéquats. Ne pas porter de vêtements amples ni de bijoux. Ne pas approcher les cheveux, vêtements et gants des pièces en mouvement.** Les vêtements amples, les bijoux ou les cheveux longs risquent d'être happés par les pièces en mouvement.
15. **Si des dispositifs sont prévus pour l'extraction et la récupération des poussières, vérifier qu'ils sont connectés et utilisés correctement.** L'utilisation de ces dispositifs peut réduire les risques liés aux poussières.

UTILISATION ET ENTRETIEN DE L'OUTIL ÉLECTRIQUE

16. **Ne pas forcer l'outil électrique. Utiliser l'outil électrique approprié à l'application considérée.** L'outil électrique adapté au projet considéré produira de meilleurs résultats, dans des conditions de sécurité meilleures, à la vitesse pour laquelle il a été conçu.
17. **Ne pas utiliser l'outil électrique si le commutateur ne le met pas sous ou hors tension.** Tout outil électrique dont le commutateur de marche-arrêt est inopérant est dangereux et doit être réparé.
18. **Débrancher la fiche de la prise d'alimentation et/ou la batterie de l'outil électrique avant d'effectuer des réglages, de changer d'accessoires ou de ranger l'outil.** De telles mesures de sécurité préventive réduisent le risque de mettre l'outil en marche accidentellement.
19. **Ranger les outils électriques inutilisés hors de la portée des enfants et ne pas laisser des personnes qui connaissent mal les outils électriques ou ces instructions utiliser ces outils.** Les outils électriques sont dangereux dans les mains d'utilisateurs non formés à leur usage.
20. **Entretien des outils électriques. S'assurer de l'absence de tout désalignement ou de grippage des pièces mobiles, de toute rupture de pièce ou de toute autre condition qui pourrait affecter le bon fonctionnement de l'outil électrique. En cas de dommages, faire réparer l'outil avant de l'utiliser de nouveau.** Les outils électriques mal entretenus sont à la source de nombreux accidents.
21. **Garder les outils de coupe affûtés et propres.** Les outils de coupe correctement entretenus et bien affûtés risquent moins de se gripper et sont plus faciles à manier.
22. **Utiliser cet outil électrique, les accessoires, les mèches, etc. conformément à ces instructions et de la façon prévue pour ce type particulier d'outil électrique, tout en prenant en compte les conditions de travail et le type de projet considérés.** L'utilisation de cet outil électrique pour un usage autre que l'usage prévu peut créer des situations dangereuses.







ENTRETIEN

23. **Faire effectuer l'entretien de l'outil électrique par un technicien qualifié qui n'utilisera que des pièces de rechange identiques.** La sécurité d'utilisation de l'outil en sera préservée.

RÈGLES DE SÉCURITÉ PARTICULIÈRE

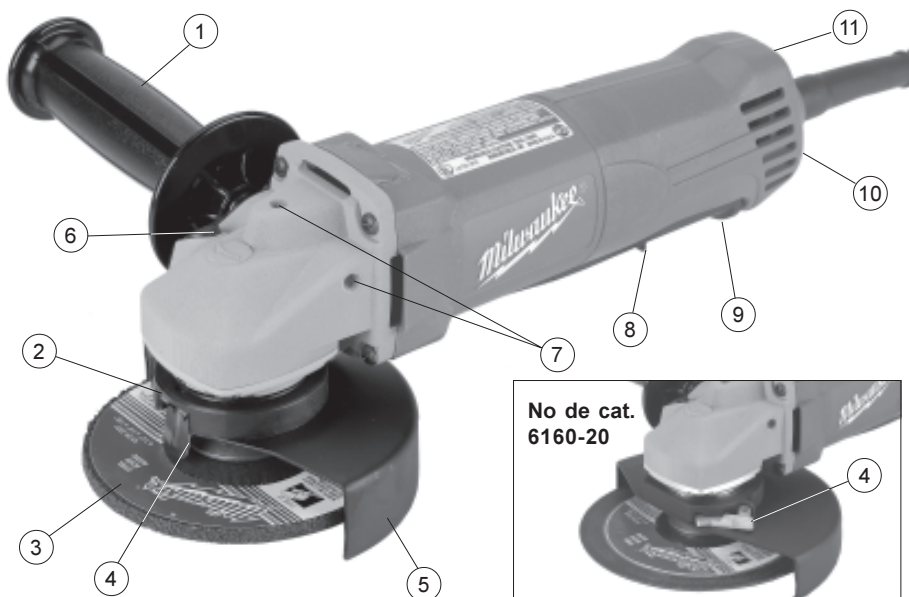
1. Utilisez toujours le garde approprié au disque abrasif. Le garde protège l'utilisateur contre les éclats si le disque se brise.
2. Les accessoires doivent être calibrés pour la vitesse de rotation mentionnée sur la fiche signalétique de l'outil. Les disques et les accessoires employés à une vitesse de rotation plus haute que celle pour laquelle ils sont calibrés peuvent être projetés ou éclater et causer des blessures.
3. Tenir l'outil par les surfaces de prise isolées si, au cours des travaux, l'outil de coupe risque d'entrer en contact avec des fils cachés ou avec son propre cordon. Le contact avec un fil sous tension met les parties métalliques exposées de l'outil sous tension, ce qui infligera un choc électrique à l'opérateur.
4. Tenez les mains à l'écart des arêtes tranchantes et des pièces en mouvement.
5. Entretenez les étiquettes et marques du fabricant. Les indications qu'elles contiennent sont précieuses. Si elles deviennent illisibles ou se détachent, faites-les remplacer gratuitement à un centre de service MILWAUKEE accrédité.
6. **AVERTISSEMENT!** La poussière dégagée par perçage, sciage et autres travaux de construction contient des substances chimiques reconnues comme pouvant causer le cancer, des malformations congénitales ou d'autres troubles de reproduction. Voici quelques exemples de telles substances :
 - Le plomb contenu dans la peinture au plomb.
 - Le silice cristallin contenu dans la brique, le béton et divers produits de maçonnerie.
 - L'arsenic et le chrome servant au traitement chimique du bois.

Les risques associés à l'exposition à ces substances varient, dépendant de la fréquence des travaux. Afin de minimiser l'exposition à ces substances chimiques, assurez-vous de travailler dans un endroit bien aéré et d'utiliser de l'équipement de sécurité tel un masque antipoussière spécifiquement conçu pour la filtration de particules microscopiques.

Pictographie		Specifications							
	Double Isolation	No de cat.	Volts	A	Watts	T/Min. Outil	Dimension Pivot	Dimension Meule	Calibre Minimal T/Min. Meule
	Courant alternatif ou direct								
	Ampères	6148	120 CA/CD	8,5	1 000	10 000	5/8"-11	115 mm (4-1/2")	12 000
n_0 xxxx/min.	Tours-minute à vide (RPM)	6149-20	120 CA/D	8,5	1 000	10 000	5/8"-11	127 mm (5")	12 000
	Underwriters Laboratories, Inc.	6151	120 CA/CD	8,5	1 000	10 000	5/8"-11	115 mm (4-1/2")	12 000
	L'Association canadienne de normalisation (ACNOR)	6152-20	120 CA/CD	8,5	1 000	10 000	5/8"-11	127 mm (5")	12 000
	Inscription mexicaine d'approbation	6153-20	120 CA/CD	12	1 400	11 000	5/8"-11	115 mm (4-1/2")	12 000
		6154-20	120 CA Seul.	12	1 400	4 000-11 000	5/8"-11	115 mm (4-1/2")	12 000
		6155-20	120 CA/CD	12	1 400	11 000	5/8"-11	127 mm (5")	12 000
		6156-20	120 CA Seul.	12	1 400	4 000-11 000	5/8"-11	127 mm (5")	12 000
		6160-20	120 CA Seul.	11	1 300	9 000	5/8"-11	150 mm (6")	10 000

DESCRIPTION FONCTIONNELLE

1. Poignée latérale
2. Fixation du garde-meule
3. Meule
4. Levier de verrouillage
5. Garde-meule
6. Bouton de blocage du pivot
7. Cavité de poignée latérale
8. Bouton de verrouillage
9. Commande à ailettes (sous le corps de l'outil)
10. Verrou de commande (No de cat. 6148, 6149-20, 6154-20 et 6156-20 seulement)
11. Indicateur de réglage de vitesse (Sur le no de cat. 6154-20 et 6156-20 seulement)



No de cat.
6160-20

MISE À LA TERRE



AVERTISSEMENT!

Si le fil de mise à la terre est incorrectement raccordé, il peut en résulter des risques de choc électrique. Si vous n'êtes pas certain que la prise dont vous vous servez est correctement mise à la terre, faites-la vérifier par un électricien. N'altérez pas la fiche du cordon de l'outil. N'enlevez pas de la fiche, la dent qui sert à la mise à la terre. N'employez pas l'outil si le cordon ou la fiche sont en mauvais état. Si tel est le cas, faites-les réparer dans un centre-service **MILWAUKEE** accrédité avant de vous en servir. Si la fiche du cordon ne s'adapte pas à la prise, faites remplacer la prise par un électricien.

Outils mis à la terre : Outils pourvus d'une fiche de cordon à trois dents

Les outils marqués « Mise à la terre requise » sont pourvus d'un cordon à trois fils dont la fiche a trois dents. La fiche du cordon doit être branchée sur une prise correctement mise à la terre (voir Figure A). De cette façon, si une défectuosité dans le circuit électrique de l'outil survient, le relais à la terre fournira un conducteur à faible résistance pour décharger le courant et protéger l'utilisateur contre les risques de choc électrique.

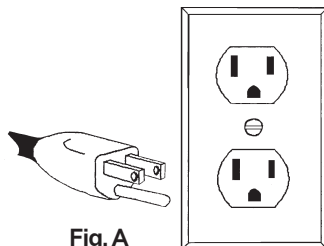


Fig. A

La dent de mise à la terre de la fiche est reliée au système de mise à la terre de l'outil via le fil vert du cordon. Le fil vert du cordon doit être le seul fil raccordé à un bout au système de mise à la terre de l'outil et son autre extrémité ne doit jamais être raccordée à une borne sous tension électrique.

Votre outil doit être branché sur une prise appropriée, correctement installée et mise à la terre conformément aux codes et ordonnances en vigueur. La fiche du cordon et la prise de courant doivent être semblables à celles de la Figure A.

Outils à double isolation : Outils pourvus d'une fiche de cordon à deux dents

Les outils marqués « Double Isolation » n'ont pas besoin d'être raccordés à la terre. Ils sont pourvus d'une double isolation conforme aux exigences de l'OSHA et satisfont aux normes de l'Underwriters Laboratories, Inc., de l'Association canadienne de normalisation (ACNOR) et du « National Electrical Code » (code national de l'électricité). Les outils à double isolation peuvent être branchés sur n'importe laquelle des prises à 120 volt illustrées ci-contre Figure B et C.

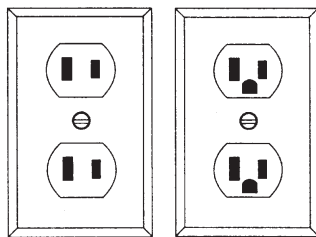


Fig. B

Fig. C

CORDONS DE RALLONGE

Si l'emploi d'un cordon de rallonge est nécessaire, un cordon à trois fils doit être employé pour les outils mis à la terre. Pour les outils à double isolation, on peut employer indifféremment un cordon de rallonge à deux ou trois fils. Plus la longueur du cordon entre l'outil et la prise de courant est grande, plus le calibre du cordon doit être élevé. L'utilisation d'un cordon de rallonge incorrectement calibré entraîne une chute de voltage résultant en une perte de puissance qui risque de détériorer l'outil. Reportez-vous au tableau ci-contre pour déterminer le calibre minimum du cordon.

Moins le calibre du fil est élevé, plus sa conductivité est bonne. Par exemple, un cordon de calibre 14 a une meilleure conductivité qu'un cordon de calibre 16. Lorsque vous utilisez plus d'une rallonge pour couvrir la distance, assurez-vous que chaque cordon possède le calibre minimum requis. Si vous utilisez un seul cordon pour brancher plusieurs outils, additionnez le chiffre d'intensité (ampères) inscrit sur la fiche signalétique de chaque outil pour obtenir le calibre minimal requis pour le cordon.

Directives pour l'emploi des cordons de rallonge

- Si vous utilisez une rallonge à l'extérieur, assurez-vous qu'elle est marquée des sigles « W-A » (« W » au Canada) indiquant qu'elle est adéquate pour usage extérieur.
- Assurez-vous que le cordon de rallonge est correctement câblé et en bonne condition. Remplacez tout cordon de rallonge détérioré ou faites-le remettre en état par une personne compétente avant de vous en servir.
- Tenez votre cordon de rallonge à l'écart des objets ranchants, des sources de grande chaleur et des endroits humides ou mouillés.

Calibres minimaux recommandés pour les cordons de rallonge*

Fiche signalétique Ampères	Longueur du cordon de rallonge (m)					
	7,6	15,2	22,8	30,4	45,7	60,9
0 - 5,0	16	16	16	14	12	12
5,1 - 8,0	16	16	14	12	10	--
8,1 - 12,0	14	14	12	10	--	--
12,1 - 15,0	12	12	10	10	--	--
15,1 - 20,0	10	10	10	--	--	--

* Basé sur une chute de voltage limite de 5 volts à 150% de l'intensité moyenne de courant.

**LISEZ ATTENTIVEMENT CES INSTRUCTIONS
ET CONSERVEZ-LES POUR LES
CONSULTER AU BESOIN.**

MONTAGE DE L'OUTIL

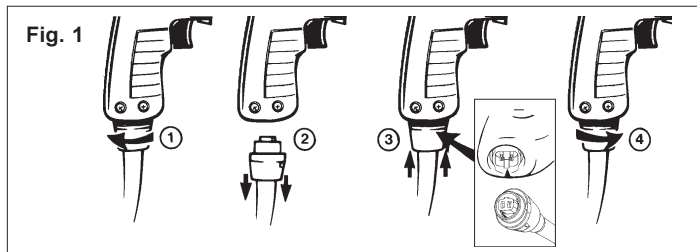


AVERTISSEMENT!

Portez des lunettes à coques latérales. Débranchez toujours l'outil avant d'y installer des accessoires ou d'en enlever. N'employez que les accessoires expressément recommandés pour cet outil, l'emploi d'accessoires pourrait comporter des risques. Protégez des rognures et des étincelles ceux qui se trouvent dans l'aire de travail en installant les écrans et les barrières nécessaires.

Retrait et remplacement du cordon Quik-Lok® (Fig. 1)

Les cordons Quik-Lok® exclusifs à MILWAUKEE permettent d'installer le cordon ou de le remplacer sur place en un tournemain.



1. Pour retirer le cordon Quik-Lok®, tournez l'écrou du cordon 1/4 de tour vers la gauche et retirez-le.
2. Pour remettre le cordon en place, alignez les rainures à clavettes du connecteur et poussez le connecteur aussi loin que possible. Tournez ensuite l'écrou du cordon 1/4 de tour vers la droite pour le verrouiller.

Pose de la poignée latérale

La poignée latérale peut être installée sur le dessus ou sur l'un ou l'autre des côtés de la boîte d'engrenages pour usage gaucher ou droitier. Placez la poignée sur le côté offrant la meilleure maîtrise de l'outil et la meilleure protection du garde-meule. Vissez la poignée dans la cavité fileté sur le côté de l'outil et serrez-la à fond.

MANIEMENT



AVERTISSEMENT!

Pour minimiser les risques de blessures, portez des lunettes à coques latérales. Débranchez l'outil avant de changer les accessoires ou d'effectuer des réglages.

Démarrage contrôlé (Cat. No. 6154-20, 6156-20 et 6160-20)

En courant alternatif 120 volts, la fonction de démarrage contrôlé réduit le « coup de bélier » du couple de réaction. Le démarrage contrôlé fonctionne uniquement sur courant alternatif.

Indicateur de réglage de vitesse (No de cat. 6154-20 et 6156-20)

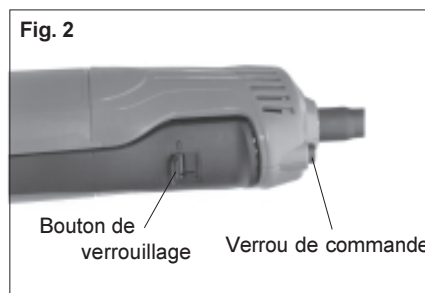
L'indicateur de réglage de vitesse contrôle les vitesses maximales de rotation (par minute) de la ponceuse/rectifieuse. La plage de réglage de l'indicateur de vitesse est comprise entre 1 et 5, des vitesses les plus faibles (1) aux plus élevées (5). Choisissez le réglage le mieux adapté à votre tâche.

1. Pour contrôler la vitesse de rotation, réglez le contrôle à cadran à la position désirée.
2. Ensuite, appuyez sur la détente.
3. Pour arrêter l'outil, relâchez la détente.

Tachymètre à vitesse constante (No de cat. 6160-20)

Le tachymètre maintient une vitesse quasiment constante de rotation de l'outil (soit 9 000 tr/mn) même s'il est sous charge. Il permet aussi d'éviter la surchauffe de l'outil. L'outil s'éteint automatiquement en cas de surcharge du moteur. Il peut être remis en marche en pressant à nouveau sur la commande à ailettes.

Démarrage et arrêt du moteur (Fig. 2)



1. Branchez l'outil.
2. Pour le mettre en marche, appuyez sur le bouton de verrouillage et en même temps, abaissez la commande à ailette.
3. Pour arrêter l'outil, relâchez la commande à ailette.

Verrouillage de la commande à ailette (Fig. 2)
(No de cat. 6148, 6149-20, 6154-20 et 6156-20)

Le verrou de commande maintient la commande à la position « ON » pour une marche ininterrompue à la vitesse maximale.

1. Pour bloquer la commande à ailette à la position de marche, maintenez le verrou de commande tandis que vous appuyez sur la commande à ailette. Ensuite, relâchez la commande.
2. Pour débloquer la commande à ailette, enfoncez-la et relâchez-la immédiatement. Le verrou de commande va se déclencher.

Sélection des Disques Abrasifs et des Meules



Pour minimiser le risque de blessures corporelles et de dommage à l'outil, n'employez que des accessoires d'un calibre (t/min.) égal ou supérieur à celui qui est indiqué sur la fiche signalétique de l'outil.

Utilisez des disques abrasifs et des meules qui sont :

- du calibre adéquat tel qu'indiqué sur la fiche signalétique de l'outil.
- du genre et de la texture adéquats pour la tâche.
- d'un calibre (t/min.) égal ou supérieur à celui qui est indiqué sur la fiche signalétique de l'outil.

Utilisez des disques d'appui, adaptateurs et autres accessoires qui sont:

- de la bonne dimension pour l'outil, le disque abrasif ou la meule.
- d'un calibre (t/min.) égal ou supérieur à celui qui est indiqué sur la fiche signalétique de l'outil.
- l'accessoire approprié à la tâche.

Composants des Disques Abrasifs et des Meules

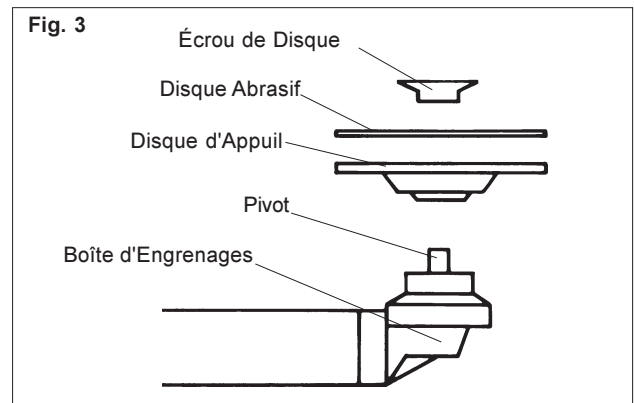
Les disques abrasifs et les meules sont faits de divers matériaux et conçus pour des tâches variées. Assurez-vous de choisir le disque ou la meule appropriés au travail que vous vous proposez de faire.

Choix des disques abrasifs et des grains

Consultez le tableau ci-dessous pour connaître le disque abrasif qui convienne à votre tâche. En général, utilisez des disques à 24 ou 36 grains pour le décapage robuste; 50, 60 ou 80 grains pour le décapage moyen et 120 pour la finition. Commencez toujours avec un disque à grains grossiers pour continuer avec des disques progressivement plus fins. Voir «Catalogue» pour la gamme complète des disques abrasifs MILWAUKEE.

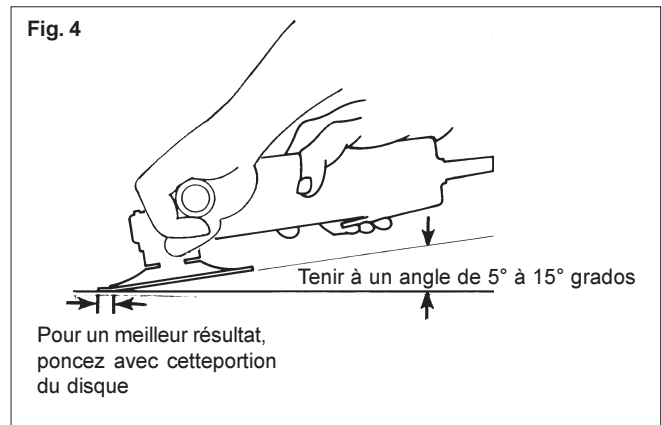
Corindon	Aluminium-Zircone Bi-Cut	Céramique
Pour abrasion rapide. Disque d'usage général convenant à la plupart des tâches sur les métaux. Idéal pour l'acier laminé à froid, l'acier inoxydable et les métaux exigeant un abrasif robuste et durable.	Conception unique des grains formant un agglomérat rugueux pour extirper les dépôts et nettoyer rapidement. Idéal pour décapage sans encroûtement la peinture des autos, bateaux, fibre de verre, etc.	Dure trois fois plus longtemps qu'un disque en corindon. Pour le travail général sur les métaux, l'outil idéal pour les tâches robustes.

Installation du disque d'appui et du disque abrasif (Fig. 3)



1. Débranchez l'outil et placez-le à l'envers sur une surface unie, tel qu'indiqué. Retirez les accessoires du pivot.
2. Glissez le disque d'appui sur le pivot, côté plat éloigné de la boîte d'engrenages.
3. Placez le disque abrasif sur le disque d'appui et fixez-les au pivot à l'aide de l'écrou de disque.
4. Pour serrer, appuyez sur le bouton de blocage du pivot pendant que vous visserez l'écrou (sens horaire) à l'aide de la clé à ergots fournie avec l'outil.
5. Pour retirer le disque d'appui et le disque abrasif, débranchez l'outil et inversez le procédé.

Ponçage (Fig. 4)



1. Maintenez le matériau à poncer avec une fixation, un étau ou par d'autres moyens afin de libérer vos deux mains pour le contrôle de l'outil. Empoignez fermement le corps de l'outil et la poignée latérale avant et après le démarrage. Laissez le disque abrasif atteindre son plein régime avant de commencer à poncer.
2. Tenez la ponceuse-rectifieuse à un angle de 5° à 15°, tel qu'indiqué, afin d'assurer la pression de ponçage et le contrôle de l'outil. Si l'angle de ponçage est trop grand, il s'ensuivra trop de pression et une usure excessive du disque et du matériau. Si l'angle est trop étroit, le contrôle de l'outil en sera réduit.
3. Poncez par mouvements larges d'un côté à l'autre en avançant à chaque mouvement jusqu'à l'obtention du fini souhaitable.

Ponçage des marques de soudure et de forgeage

Limitez l'emploi d'un disque à grains grossiers aux marques de soudure et de forgeage. Employez successivement des disques à grains plus fins pour lisser la surface.

Ponçage latéral

Pour finir une surface préalablement poncée avec un disque à grains grossier ou une meule, poncez à angle droit des marques laissées par le disque grossier. Les marques laissées par le ponçage précédent sont faciles à voir et à enlever. Si l'on néglige de poncer latéralement après un changement de disque, il pourra rester des rainures profondes et des marques circulaires à la fin du ponçage.

Fini du métal

Déplacez constamment la ponceuse sur la surface. Travaillez plus prestement sur les endroits arrondis où le contact avec le disque est restreint et la pression plus grande. Une trop grande pression pourra laisser des marques à la fin d'un mouvement. Réduisez la pression vers la fin des mouvements d'un côté à l'autre pour éviter que les côtés ne soient trop usés à l'endroit où le mouvement revient sur lui-même.

Dépistage des dérangements

Les rayures profondes peuvent provenir de :

- Usage d'un grain trop grossier
- Usage d'un disque encroûté
- Saleté ou particules de métal sur le matériau à poncer
- Défaut de poncer perpendiculairement aux marques du ponçage grossier après changement de disque.
- Défaut d'utiliser un disque à grains serrés. Les disques à grains serrés perdent moins souvent leurs grains sur la surface.

Le bleuissement de la surface métallique indique une surchauffe qui peut provenir de :

- Surchauffe causée par un mouvement circulaire en es pace restreint.
- Pression excessive.
- Emploi d'un disque usé ou encroûté.

Meulage et emploi de meules à tronçonner



N'utilisez que des disques dont la vitesse de rotation sécuritaire excède la vitesse de rotation mentionnée sur la fiche signalétique de l'outil. Cette vitesse de rotation est basée sur la résistance du disque en tenant compte de la sécurité. La vitesse de rotation indiquée n'est pas une norme de rendement, mais une norme de vitesse de rotation sécuritaire qu'il ne faut pas excéder.

Inspection des meules

Pour éviter de les endommager, manipulez les meules avec soin. Avant d'en installer une, inspectez-la pour y déceler des fissures. Si la meule est fissurée, disposez-en afin que personne d'autre ne puisse s'en servir.



Pour minimiser les risques de blessures, l'utilisateur devrait être formé au maniement, à l'entretien et à la protection des meules.

Soin des meules

Les meules devraient être protégées de :

- l'eau et l'humidité.
- les solvants de tous genres.
- les brusques variations de température.
- les chutes et les heurts.

Les meules devraient être rangées :

- de façon systématique pour permettre le retrait de l'une sans déranger ou endommager les autres.
- avec leur fiche signalétique.

Les meules ne devraient pas :

- choir,
- rouler,
- heurter.

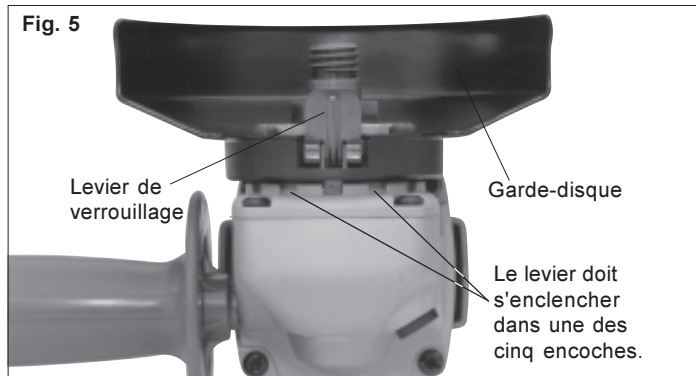
Si on laisse choir une meule, qu'on la roule, la heurte ou la soumet à de brusques changements de température, ou encore, si elle vient en contact avec des solvants ou de l'humidité, il vaut mieux en disposer immédiatement.



Pour minimiser les risques de blessures:

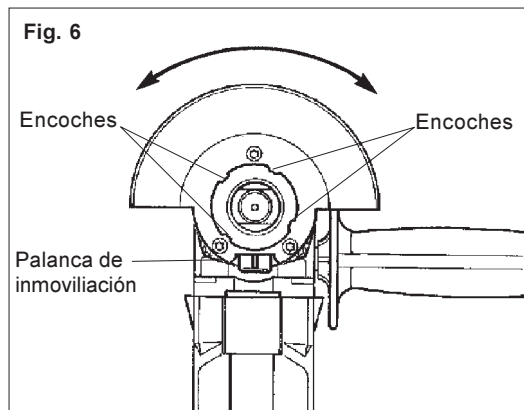
- **TOUJOURS** utiliser le garde-meule approprié.
- **TOUJOURS** installer correctement le garde-meule.
- **TOUJOURS** tenir l'outil fermement avec les deux mains avant de commencer à meuler.
- **NE JAMAIS** employer une meule qu'on a laissé tomber.
- **NE JAMAIS** heurter le matériau avec le disque.
- **NE JAMAIS** meuler sans équipement de protection.

Installation, retrait et réglage du garde-meule (Fig. 5 et 6) No de cat. 6148, 6149-20, 6151, 6152-20, 6153-20, 6154-20, 6155-20, 6156-20



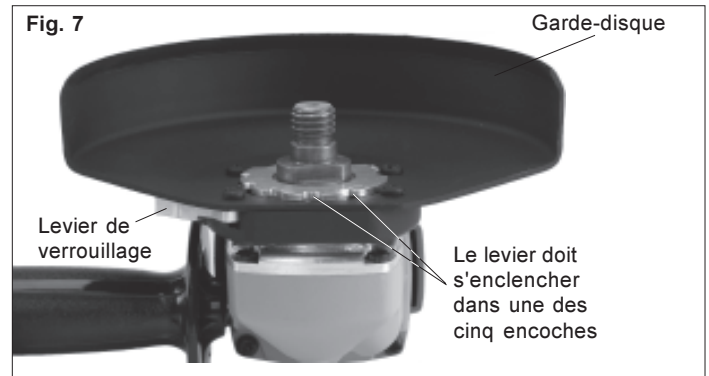
Au moment de la livraison, le garde-meule est installé sur cet outil. Le garde-meule doit être utilisé lorsque l'outil sert de rectifieuse. Lorsque l'outil est employé comme ponceuse, il faut retirer le garde-meule.

1. Pour **retirer** le garde-meule, débranchez l'outil et placez-le à l'envers sur une surface plane. Enlevez du pivot tous les accessoires.
2. Appuyez sur le levier de verrouillage et faites tourner le garde-meule pour aligner les quatre pattes sur les quatre encoches, tel qu'indiqué à la figure 6.



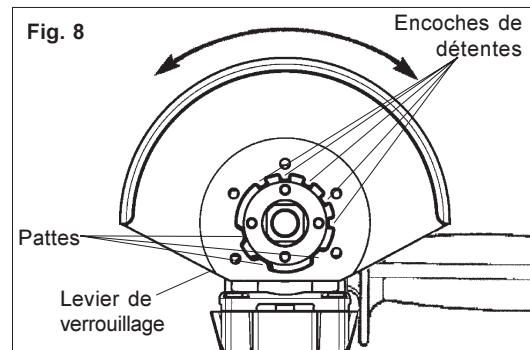
3. Ensuite, relevez le garde et écartez-le de l'outil.
4. Pour **installer** le garde-meule, débranchez l'outil et placez-le à l'envers sur une surface plane. Enlevez du pivot tous les accessoires.
5. Alignez le quatre pattes sur les quatre encoches, tel qu'indiqué à la figure 6.
6. Ensuite, appuyez sur le garde-meule pour le fixer en place.
7. Appuyez sur le levier de verrouillage et faites tourner le garde-meule vers une des cinq encoches.
8. Pour **réglér la position** du garde-meule, appuyez sur le levier de verrouillage et faites tourner le garde vers une des cinq encoches pour la position choisie.

Installation, retrait et réglage du garde-meule (No de cat. 6160-20) (Fig. 7 et 8)



Au moment de la livraison, le garde-meule de l'outil n'est pas installé sur l'outil. Le garde-meule doit être utilisé lorsque l'outil sert de rectifieuse. Lorsque l'outil est employé comme ponceuse, il faut retirer le garde-meule.

1. Pour **retirer** le garde-meule, débranchez l'outil et placez-le à l'envers sur une surface plane. Enlevez du pivot tous les accessoires.
2. Appuyez sur le levier de verrouillage et faites tourner le garde-meule pour aligner les pattes et les encoches tel qu'indiqué à la figure 8.



3. Appuyez sur le levier de verrouillage, relevez le garde et écartez-le de l'outil.
4. Pour **installer** le garde-meule, débranchez l'outil et placez-le à l'envers sur une surface plane. Enlevez du pivot tous les accessoires.
5. Alignez les pattes et les encoches tel qu'indiqué à la figure 8.
6. Appuyez sur le levier de verrouillage et appuyez sur le garde pour le fixer en place.
7. Appuyez sur le levier de verrouillage, faites tourner le garde dans le sens horaire vers une des cinq encoches de détente. Le levier doit se bloquer dans une des encoches.
8. Pour **réglér la position** du garde-meule, appuyez sur le levier de verrouillage et faites tourner le garde vers une des cinq encoches de détente tel qu'indiqué à la figure 8.

AVERTISSEMENT!

Pour minimiser les risques de blessures:

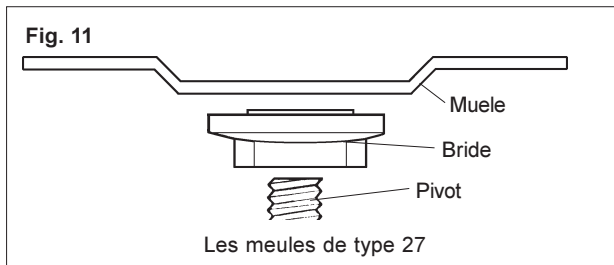
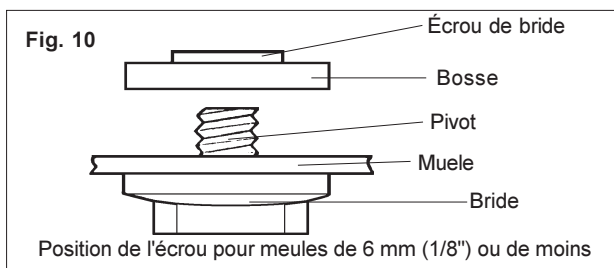
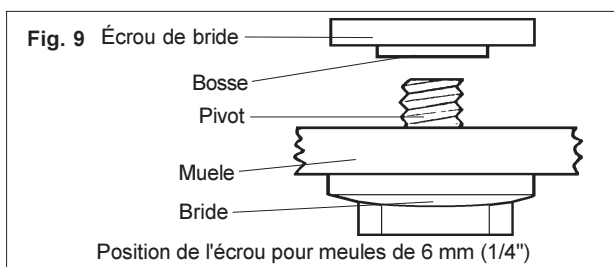
- TOUJOURS utiliser le garde-meule approprié.
- TOUJOURS installer correctement le garde-meule.
- TOUJOURS tenir l'outil fermement avec les deux mains avant de commencer à meuler.
- NE JAMAIS employer une meule qu'on a laissé tomber.
- NE JAMAIS heurter le matériau avec le disque.
- NE JAMAIS meuler sans équipement de protection.

Choix des meules

Le meulage s'effectue par l'action abrasive de milliers de grains abrasifs sur la face de la meule. Lorsque vous meulez des métaux comme l'acier et le fer, choisissez une meule en corindon. Pour la pierre et le béton, une meule de carbure de silicium et pour les métaux non ferreux, une meule renforcée de coton.

Les meules de type 27 renforcées de 3 mm (1/8") ou de moins conviennent pour de petits tronçonnages et des encoches seulement.

Installation de la meule (Fig. 9, 10, 11 et 12)

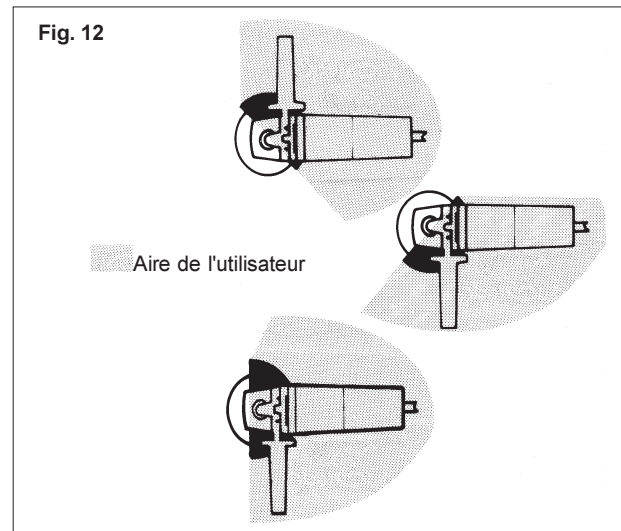


AVERTISSEMENT!

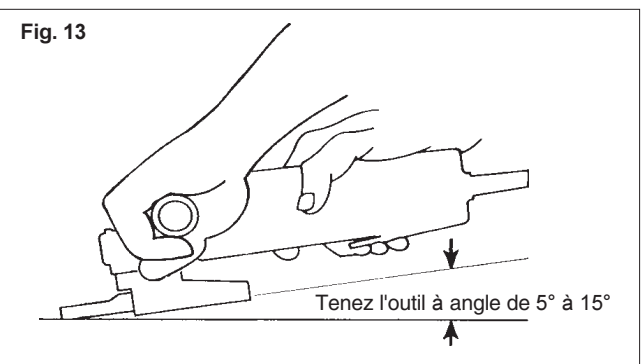
Pour minimiser le risque de blessures corporelles et de dommages à l'outil, ne vous servez pas du bouton de blocage du pivot alors que le moteur est actionné ou qu'il tourne sur son axe.

1. Une fois le garde-meule réglé à la position désirée, placez une bride sur le pivot, face ouverte vers l'extérieur.
2. Placez la meule choisie sur le pivot et alignez-la sur la bride. Positionnez l'écrou de bride selon l'épaisseur de la meule, tel qu'indiqué (voir Fig. 9, 10 et 11).
3. Appuyez sur le bouton de blocage du pivot pendant que vous serrerez l'écrou de bride en sens horaire. Serrez l'écrou à fond à l'aide de la clé à ergot qui accompagne l'outil.
4. Pour retirer la meule, débranchez l'outil et inversez la technique.

Fig. 12



Meulage (Fig. 13)



1. Si vous venez tout juste d'installer un disque abrasif ou de commencer le travail, vérifiez la meule en la laissant tourner durant une minute avant de l'appliquer sur le matériau.
N.B. Une meule déstabilisée peut marquer le matériau, causer des dommages à l'outil et imposer une contrainte irrésistible à la meule.
2. Empoignez fermement l'outil par son boîtier et sa poignée latérale avant de le mettre en marche ou durant le travail. Laissez la meule atteindre son plein régime avant de commencer le meulage.
3. Tenez la ponceuse-rectifieuse à un angle de 5° à 15°, tel qu'indiqué et maintenez une pression constante pour obtenir un fini uniforme. Un angle trop grand occasionne une concentration de pression sur de petites surfaces et peut rainurer ou brûler la surface de la pièce à ouvrir.
4. Contrôlez la pression et le contact du disque avec la pièce. Une trop grande pression pourra ralentir le meulage.

AVERTISSEMENT!

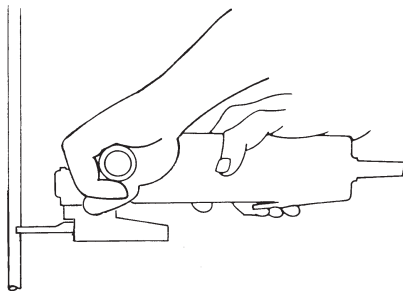
Une garde-lame de type << 1 >> doit être installé autour d'un disque à tronçonner pour assurer le maximum de protection à l'utilisateur en cas de bris.

Emploi des meules à tronçonner (Fig. 14)

Les meules de type 1 renforcées conviennent pour de petits tronçonnages et des encoches seulement.

1. Empoignez fermement l'outil par son boîtier et sa poignée latérale avant de le mettre en marche ou durant le travail. Laissez la meule atteindre son plein régime avant de commencer le tronçonnage.
2. Pour tronçonner, tenez la ponceuse-rectifieuse tel qu'indiqué et n'utilisez que le tranchant de la meule.

Fig. 14



3. Contrôlez la pression de la meule sur la pièce. Une pression trop forte va ralentir la coupe.

AVERTISSEMENT!

Il ne faut pas meuler avec le plat d'une meule à tronçonner. Cela pourrait causer l'éclatement de la meule et vous infliger des blessures corporelles graves.

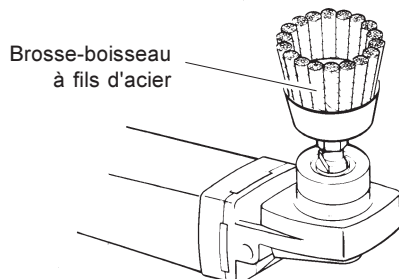
Installation des brosses à fils d'acier (Fig. 15)

AVERTISSEMENT!

Toutes les personnes présentes dans l'aire de travail doivent porter des vêtements protecteurs, des lunettes à coques latérales ou un masque facial. Des fils rompus et des rognures seront éjectés de la meule avec force et constitueront un risque de blessures graves dans un rayon de 50 pieds de l'endroit d'impact.

1. Débranchez l'outil et placez-le à l'envers sur une surface plane, tel qu'indiqué. Retirez les accessoires du pivot.

Fig. 15



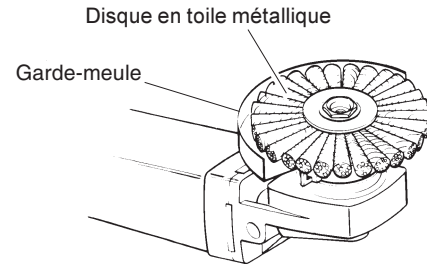
2. Pour installer une brosse à fils d'acier sur le pivot, appuyez sur le bouton de blocage du pivot pendant que vous serrerez la brosse avec une clé à fourche de 22 mm (7/8") (non comprise avec l'outil).
3. Pour retirer la brosse à fils d'acier, débranchez l'outil et inversez la technique.

Utilisation des brosses à fil d'acier (Fig. 16)

AVERTISSEMENT!

Les bouts de fil métallique de la meule en toile métallique convergent vers l'opérateur. C'est pourquoi il faut installer un garde-meule pour se protéger des fils rompus par l'usure qui sont éjectés durant le meulage.

Fig. 16



Les brosses à fils d'acier sont utiles pour enlever rouille, tartre, bavures, scories de soudure etc. Il existe un vaste choix de brosses à fils d'acier.

Inspectez la brosse à fils d'acier pour y déceler les fils rompus et en corriger le flottement. Pour effectuer ce test, faites tourner la brosse à vide durant au moins une minute avant de l'appliquer sur la pièce à ouvrir. Durant cette inspection, l'aire de travail devrait être évacuée. Lorsque vous appliquez la brosse sur la pièce, n'exercez pas trop de pression pour éviter la torsion exagérée des fils métalliques de la meule et la surchauffe qui pourraient causer le bris des fils et l'usure prématurée de la brosse. Au lieu d'appliquer une pression plus grande, changez la brosse pour une autre offrant une meilleure abrasion (fils de plus gros calibre, fils plus courts, fils à noeuds plutôt que fils ondulés).

AVERTISSEMENT!

N'excédez pas la vitesse de rotation sécuritaire pour laquelle la brosse à fils d'acier est calibrée. N'utilisez pas une brosse avariée ou une brosse qui ne fonctionne pas normalement (éjection de fils rompus, flottement etc.). Ces conditions augmentent les risques de bris et de blessures pouvant en résulter. Débarrassez-vous des brosses avariées et employez-en de nouvelles.

MAINTENANCE



AVERTISSEMENT!

Pour minimiser les risques de blessures, débranchez toujours l'outil avant d'y effectuer des travaux de maintenance. Ne faites pas vous-même le démontage de l'outil ni le rebobinage du système électrique. Consultez un centre de service *MILWAUKEE* accrédité pour toutes les réparations.

Entretien de l'outil

Gardez l'outil en bon état en adoptant un programme d'entretien ponctuel. Avant de vous en servir, examinez son état en général. Inspectez-en la garde, interrupteur, cordon et cordon de rallonge pour en déceler les défauts. Vérifiez le serrage des vis, l'alignement et le jeu des pièces mobiles, les vices de montage, bris de pièces et toute autre condition pouvant en rendre le fonctionnement dangereux. Si un bruit ou une vibration insolite survient, arrêtez immédiatement l'outil et faites-le vérifier avant de vous en servir de nouveau. N'utilisez pas un outil défectueux. Fixez-y une étiquette marquée « HORS D'USAGE » jusqu'à ce qu'il soit réparé (voir « Réparations »).

Normalement, il ne sera pas nécessaire de lubrifier l'outil avant que le temps ne soit venu de remplacer les balais. Après une période pouvant aller de 6 mois à un an, selon l'usage, retournez votre outil à un centre de service *MILWAUKEE* accrédité pour obtenir les services suivants :

- Lubrification
- Inspection et remplacement des balais
- Inspection et nettoyage de la mécanique (engrenages, pivots, coussinets, boîtier etc.)
- Inspection électrique (interrupteur, cordon, induit etc.)
- Vérification du fonctionnement électromécanique



AVERTISSEMENT!

Pour minimiser les risques de blessures, choc électrique et dommage à l'outil, n'immergez jamais l'outil et ne laissez pas de liquide s'y infiltrer.

Nettoyage

Débarrassez les événements des débris et de la poussière. Gardez les poignées de l'outil propres, à sec et exemptes d'huile ou de graisse. Le nettoyage de l'outil doit se faire avec un linge humide et un savon doux. Certains nettoyants tels l'essence, la térébenthine, les diluants à laque ou à peinture, les solvants chlorés, l'ammoniaque et les détergents d'usage domestique qui en contiennent pourraient détériorer le plastique et l'isolation des pièces. Ne laissez jamais de solvants inflammables ou combustibles auprès des outils.

Réparations

Si votre outil est endommagé, retourne l'outil entier au centre de maintenance le plus proche.

ACCESSOIRES



AVERTISSEMENT!

Pour minimiser les risques de blessures, débranchez toujours l'outil avant d'y installer ou d'en enlever les accessoires. L'emploi d'accessoires autres que ceux qui sont expressément recommandés pour cet outil peut présenter des risques.

Pour une liste complète des accessoires, prière de se reporter au catalogue *MILWAUKEE* Electric Tool ou visiter le site internet www.milwaukeetool.com. Pour obtenir un catalogue, il suffit de contacter votre distributeur local ou l'un des centres-service.

GARANTIE LIMITÉE DE L'OUTIL DE CINQ ANS

Tous les outils *MILWAUKEE* sont testés avant de quitter l'usine et sont garantis exempts de vice de matériau ou de fabrication. *MILWAUKEE* réparera ou remplacera (à la discrétion de *MILWAUKEE*), sans frais, tout outil (y compris les chargeurs de batterie) dont l'examen démontre le caractère défectueux du matériau ou de la fabrication dans les cinq (5) ans suivant la date d'achat. Retourner l'outil et une copie de la facture ou de toute autre preuve d'achat à une branche Entretien usine/Assistance des ventes de l'établissement *MILWAUKEE* ou à un centre d'entretien agréé par *MILWAUKEE*, en port payé et assuré. Cette garantie ne couvre pas les dommages causés par les réparations ou les tentatives de réparation par quiconque autre que le personnel agréé par *MILWAUKEE*, les utilisations abusives, l'usure normale, les carences d'entretien ou les accidents.

Les batteries, les lampes de poche et les radios sont garanties pour un (1) an à partir de la date d'achat.

LES SOLUTIONS DE RÉPARATION ET DE REMPLACEMENT DÉCRITES PAR LES PRÉSENTES SONT EXCLUSIVES. *MILWAUKEE* NE SAURAIT ÊTRE RESPONSABLE, EN AUCUNE CIRCONSTANCE, DES DOMMAGES ACCESSOIRES, SPÉCIAUX OU INDIRECTS, Y COMPRIS LES MANQUES À GAGNER.

CETTE GARANTIE EST EXCLUSIVE ET REMPLACE TOUTES LES AUTRES GARANTIES OU CONDITIONS, ÉCRITES OU ORALES, EXPRESSES OU TACITES DE QUALITÉ MARCHANDE OU D'ADAPTATION À UNE UTILISATION OU UNE FIN PARTICULIÈRE.

Cette garantie vous donne des droits particuliers. Vous pouvez aussi bénéficier d'autres droits variant d'un état à un autre et d'une province à une autre. Dans les états qui n'autorisent pas les exclusions de garantie tacite ou la limitation des dommages accessoires ou indirects, les limitations ou exclusions ci-dessus peuvent ne pas s'appliquer. Cette garantie s'applique aux États-Unis, au Canada et au Mexique uniquement.

REGLAS DE SEGURIDAD GENERALES PARA HERRAMIENTAS ELÉCTRICAS



¡ADVERTENCIA!

LEA TODAS LAS INSTRUCCIONES

Si no se siguen todas las siguientes instrucciones se puede provocar una descarga eléctrica, un incendio y/o lesiones graves. El término "herramienta eléctrica" en todas las advertencias incluidas más abajo se refiere a su herramienta operada por conexión (cable) a la red eléctrica o por medio de una batería (inalámbrica).

GUAORDE ESTAS INSTRUCCIONES

SEGURIDAD EN EL ÁREA DE TRABAJO

1. **Mantenga limpia y bien iluminada el área de trabajo.** Las áreas desordenadas u oscuras contribuyen a que se produzcan accidentes.
2. **No utilice herramientas eléctricas en atmósferas explosivas, como en la presencia de líquidos, gases o polvo inflamables.** Las herramientas eléctricas crean chispas que pueden incendiar el polvo o las emanaciones.
3. **Mantenga a los niños y otras personas alejadas mientras utiliza una herramienta eléctrica.** Las distracciones pueden hacerle perder el control.

SEGURIDAD ELÉCTRICA

4. **Los enchufes de las herramientas eléctricas deben ser del mismo tipo que el tomacorrientes.** Nunca realice ningún tipo de modificación en el enchufe. **No use enchufes adaptadores con herramientas eléctricas con conexión a tierra.** Se reducirá el riesgo de descarga eléctrica si no se modifican los enchufes y los tomacorrientes son del mismo tipo.
5. **Evite el contacto corporal con superficies con conexión a tierra, como tuberías, radiadores, estufas y refrigeradores.** El riesgo de descarga eléctrica aumenta si su cuerpo está conectado a tierra.
6. **No exponga la herramientas eléctricas a la lluvia o a condiciones de humedad.** El agua que entra en una herramienta eléctrica aumenta el riesgo de descarga eléctrica.
7. **No abuse del cable.** Nunca use el cable para transportar la herramienta eléctrica, tirar de ella o desenchufarla. **Mantenga el cable alejado del calor, los bordes afilados o las piezas en movimiento.** Los cables dañados o enmarañados aumentan el riesgo de descarga eléctrica.
8. **Cuando se utiliza una herramienta eléctrica en el exterior, use una extensión que sea apropiada para uso en el exterior.** El uso de un cable apropiado para el exterior reduce el riesgo de descarga eléctrica.

SEGURIDAD PERSONAL

9. **Manténgase alerta, ponga cuidado a lo que está haciendo y use el sentido común cuando utilice una herramienta eléctrica.** **No use una herramienta eléctrica cuando está cansado o bajo la influencia de drogas, alcohol o medicinas.** Desprestarse un minuto cuando se utiliza una herramienta eléctrica puede tener como resultado lesiones personales graves.
10. **Use equipo de seguridad.** Lleve siempre protección ocular. Llevar equipo de seguridad apropiado para la situación, como una máscara antipolvo, zapatos de seguridad antideslizantes casco o protección auditiva, reducirá las lesiones personales.
11. **Evite los arranques accidentales.** Asegúrese de que el interruptor esté en la posición de apagado antes de enchufar la herramienta. Mover herramientas con el dedo en el interruptor o enchufar herramientas con el interruptor en la posición de encendido contribuye a que se produzcan accidentes.
12. **Quite todas las llaves de ajuste antes de encender la herramienta.** Una llave que esté acoplada a una pieza giratoria de la herramienta puede provocar lesiones personales.

13. **No se estire demasiado.** Mantenga los pies bien asentados y el equilibrio en todo momento. Esto permite tener mejor control de la herramienta eléctrica en situaciones inesperadas.
14. **Vístase de manera apropiada.** No lleve ropa suelta ni joyas. Mantenga el cabello, la ropa y los guantes lejos de la piezas en movimiento. La ropa floja, las joyas o el cabello largo pueden quedar atrapados en las piezas en movimiento.
15. **Si se proporcionan dispositivos para la conexión de sistemas de recolección y extracción de polvo, asegúrese de que estén conectados y se usen apropiadamente.** El uso de estos dispositivos puede reducir los peligros relacionados con el polvo.

USO Y CUIDADO DE LAS HERRAMIENTAS ELÉCTRICAS

16. **No fuerce la herramienta eléctrica.** Use la herramienta eléctrica correcta para la aplicación. La herramienta eléctrica correcta funcionará mejor y de manera más segura a la velocidad para la que se diseñó.
17. **No use la herramienta eléctrica si el interruptor no la enciende ni la apaga.** Cualquier herramienta eléctrica que no se pueda controlar con el interruptor es peligrosa y se debe reparar.
18. **Desconecte el enchufe de la toma de alimentación y/o la batería de la herramienta eléctrica antes de realizar cualquier ajuste, cambiar accesorios o almacenar las herramientas eléctricas.** Dichas medidas preventivas de seguridad reducen el riesgo de que la herramienta se prenda accidentalmente.
19. **Almacene las herramientas eléctricas fuera del alcance de los niños y no permita que personas no familiarizadas con ellas o estas instrucciones las utilicen.** Las herramientas eléctricas son peligrosas en las manos de usuarios no capacitados.
20. **Mantenimiento de las herramientas eléctricas.** Revise que no haya piezas móviles que estén desalineadas o que se atasquen, piezas rotas ni ninguna otra condición que pueda afectar el funcionamiento de la herramienta eléctrica. Si se encuentran daños, haga que le reparen la herramienta antes de usarla. Las herramientas mal mantenidas son la causa de muchos accidentes.
21. **Mantenga las herramientas de corte limpias y afiladas.** Es menos probable que se atasquen las herramientas de corte con filos afilados que se mantienen de manera apropiada y también son más fáciles de controlar.
22. **Use la herramienta eléctrica, los accesorios y las brocas, etc. siguiendo estas instrucciones y de la manera para la que dicha herramienta eléctrica en particular fue diseñada, teniendo en cuenta las condiciones de trabajo y la tarea que se va a realizar.** El uso de la herramienta eléctrica para operaciones diferentes de aquellas para las que se diseño podría resultar en una situación peligrosa.
23. **Haga que un técnico calificado realice el mantenimiento de la herramienta eléctrica utilizando solamente piezas de repuesto idénticas.** Esto asegurará que se mantiene la seguridad de la herramienta eléctrica.





MANTENIMIENTO

REGLAS ESPECIFICAS DE SEGURIDAD

1. **Siempre use la guarda apropiada con la muela abrasiva.** Una guarda protege al operador de los fragmentos rotos de la muela.
2. **Los accesorios deben ser utilizados, al menos, en la velocidad recomendada en la etiqueta de advertencia de la muela.** Las muelas y los otros accesorios que se usen a una velocidad mayor a la recomendada, pueden romperse y producir daños.
3. **Agarre la herramienta por los asideros aislados cuando realice una operación en la que la herramienta de corte pueda entrar en contacto con cables ocultos o con su propio cable.** El contacto con un cable "con corriente" hará que las partes de metal expuesto de la herramienta pasen la corriente y produzcan una descarga al operador.
4. **Mantenga las manos alejadas de todos los bordes cortadores y partes en movimiento.**
5. **Guarde las etiquetas y placas de especificaciones.** Estas tienen información importante. Si son ilegibles o si no se pueden encontrar, póngase en contacto con un centro de servicio de **MILWAUKEE** para una refacción gratis.
6. **¡ADVERTENCIA!** Algunas partículas de polvo resultantes del lijado mecánico, aserrado, esmerilado, taladrado y otras actividades relacionadas a la construcción, contienen sustancias químicas que se saben ocasionan cáncer, defectos congénitos u otros daños al aparato reproductivo. A continuación se citan algunos ejemplos de tales sustancias químicas:
 - plomo proveniente de pinturas con base de plomo
 - sílice cristalino proveniente de ladrillos, cemento y otros productos de albañilería y
 - arsénico y cromo provenientes de madera químicamente tratada.

El riesgo que usted sufre debido a la exposición varía dependiendo de la frecuencia con la que usted realiza estas tareas. Para reducir la exposición a estas sustancias químicas: trabaje en un área bien ventilada, y utilice equipo de seguridad aprobado como, por ejemplo, máscaras contra el polvo que hayan sido específicamente diseñadas para filtrar partículas microscópicas.

Simbología

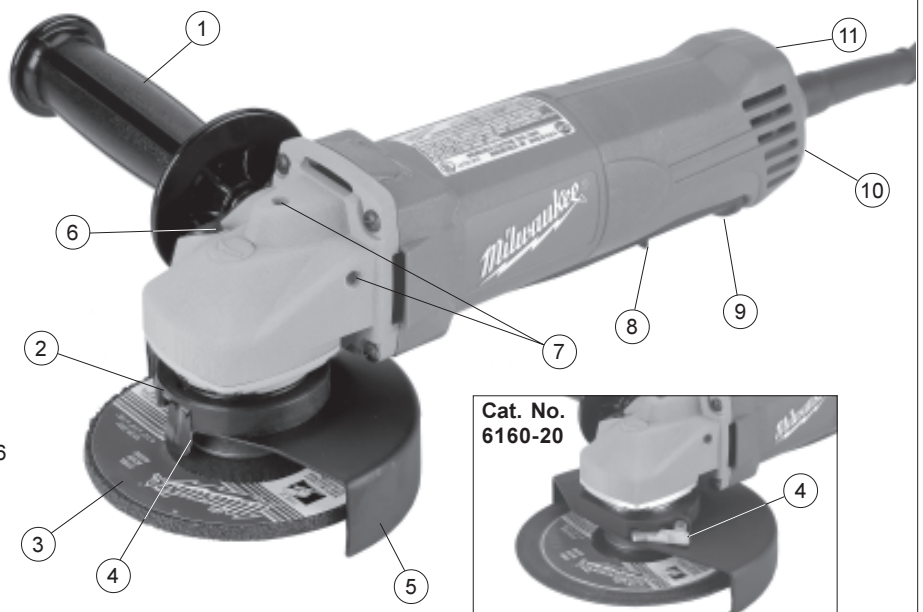
	Con doble aislamiento
	Volts corriente alterna/directa
	Amperios
	Revoluciones por minuto sin carga (rpm)
	Underwriters Laboratories, Inc.
	Asociación de Normas Canadiense
	Marca mejicana de la aprobación

Especificaciones

Cat. No.	Volts corriente alterna/directa	A	Watts	rpm	Tamaño de Flecha	Tamaño del Disco	Mínimas rpm del Disco
6148	120 ca/cd	8,5	1 000	10 000	5/8" - 11	115 mm (4-1/2")	12 000
6149-20	120 ca/cd	8,5	1 000	10 000	5/8" - 11	127 mm (5")	12 000
6151	120 ca/cd	8,5	1 000	10 000	5/8" - 11	115 mm (4-1/2")	12 000
6152-20	120 ca/cd	8,5	1 000	10 000	5/8" - 11	127 mm (5")	12 000
6153-20	120 ca/cd	12	1 400	11 000	5/8" - 11	115 mm (4-1/2")	12 000
6154-20	120 ca solo	12	1 400	4 000 -11 000	5/8" - 11	115 mm (4-1/2")	12 000
6155-20	120 ca/cd	12	1 400	11 000	5/8" - 11	127 mm (5")	12 000
6156-20	120 ca solo	12	1 400	4 000 -11 000	5/8" - 11	127 mm (5")	12 000
6160-20	120 ca solo	11	1 300	9 000	5/8" - 11	150 mm (6")	10 000

DESCRIPCION FUNCIONAL

1. Mango lateral
2. Seguro de la guarda
3. Disco abrasivo
4. Palanca de inmovilización
5. Guarda del disco
6. Seguro para trabar la flecha
7. Entrada para mango lateral
8. Botón de parada
9. Interruptor de palanca (en la parte inferior de la herramienta)
10. Botón de arranque (No. de cat. 6148, 6149-20, 6154-20 y 6156)
11. Interruptor de control de velocidad (Solamente en el no. de cat. 6154-20 y 6156-20)



TIERRA



¡ADVERTENCIA!

Puede haber riesgo de descarga eléctrica si se conecta el cable de conexión de puesta a tierra incorrectamente. Consulte con un electricista certificado si tiene dudas respecto a la conexión de puesta a tierra del tomacorriente. No modifique el enchufe que se proporciona con la herramienta. Nunca retire la clavija de conexión de puesta a tierra del enchufe. No use la herramienta si el cable o el enchufe está dañado. Si está dañado antes de usarlo, llévelo a un centro de servicio **MILWAUKEE** para que lo reparen. Si el enchufe no se acopla al tomacorriente, haga que un electricista certificado instale un tomacorriente adecuado.

Herramientas con conexión a tierra:

Herramientas con enchufes de tres clavijas

Las herramientas marcadas con la frase "Se requiere conexión de puesta a tierra" tienen un cable de tres hilos y enchufes de conexión de puesta a tierra de tres clavijas. El enchufe debe conectarse a un tomacorriente debidamente conectado a tierra (véase la Figura A). Si la herramienta se averiara o no funcionara correctamente, la conexión de puesta a tierra proporciona un trayecto de baja resistencia para desviar la corriente eléctrica de la trayectoria del usuario, reduciendo de este modo el riesgo de descarga eléctrica.

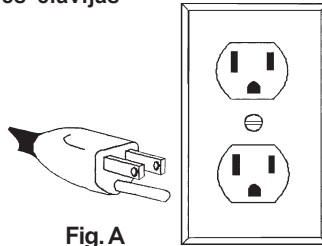


Fig. A

La clavija de conexión de puesta a tierra en el enchufe está conectada al sistema de conexión de puesta a tierra de la herramienta a través del hilo verde dentro del cable. El hilo verde debe ser el único hilo conectado al sistema de conexión de puesta a tierra de la herramienta y nunca se debe unir a una terminal energizada.

Su herramienta debe estar enchufada en un tomacorriente apropiado, correctamente instalado y conectado a tierra según todos los códigos y reglamentos. El enchufe y el tomacorriente deben asemejarse a los de la Figura A.

Herramientas con doble aislamiento:

Herramientas con clavijas de dos patas

Las herramientas marcadas con "Doble aislamiento" no requieren conectarse "a tierra". Estas herramientas tienen un sistema aislante que satisface los estándares de OSHA y llena los estándares aplicables de UL (Underwriters Laboratories, Inc.), de la Asociación Canadiense de Estándares (CSA) y el Código Nacional de Electricidad. Las herramientas con doble aislamiento pueden ser usadas en cualquiera de los toma corriente de 120 Volt mostrados en las Figuras B y C.

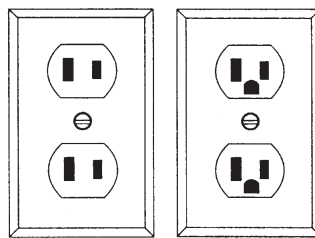


Fig. B

Fig. C

EXTENSIONES ELÉCTRICAS

Las herramientas que deben conectarse a tierra cuentan con clavijas de tres patas y requieren que las extensiones que se utilicen con ellas sean también de tres cables. Las herramientas con doble aislamiento y clavijas de dos patas pueden utilizarse indistintamente con extensiones de dos a tres cables. El calibre de la extensión depende de la distancia que exista entre la toma de la corriente y el sitio donde se utilice la herramienta. El uso de extensiones inadecuadas puede causar serias caídas en el voltaje, resultando en pérdida de potencia y posible daño a la herramienta. La tabla que aquí se ilustra sirve de guía para la adecuada selección de la extensión.

Mientras menor sea el número del calibre del cable, mayor será la capacidad del mismo. Por ejemplo, un cable calibre 14 puede transportar una corriente mayor que un cable calibre 16. Cuando use mas de una extensión para lograr el largo deseado, asegúrese que cada una tenga al menos, el mínimo tamaño de cable requerido. Si está usando un cable de extensión para mas de una herramienta, sume los amperes de las varias placas y use la suma para determinar el tamaño mínimo del cable de extensión.

Guías para el uso de cables de extensión

- Si está usando un cable de extensión en sitios al aire libre, asegúrese que está marcado con el sufijo "W-A" ("W" en Canadá) el cual indica que puede ser usado al aire libre.
- Asegúrese que su cable de extensión está correctamente cableado y en buenas condiciones eléctricas. Cambie siempre una extensión dañada o hágala reparar por una persona calificada antes de volver a usarla.
- Proteja su extensión eléctrica de objetos cortantes, calor excesivo o áreas mojadas.

Calibre mínimo recomendado para cables de extensiones eléctricas*

Amperios (En la placa)	Largo de cable de Extensión en (m)					
	7,6	15,2	22,8	30,4	45,7	60,9
0 - 5,0	16	16	16	14	12	12
5,1 - 8,0	16	16	14	12	10	--
8,1 - 12,0	14	14	12	10	--	--
12,1 - 15,0	12	12	10	10	--	--
15,1 - 20,0	10	10	10	--	--	--

* Basado en limitar la caída en el voltaje a 5 volts al 150% de los amperes.

LEA Y GUARDE TODAS LAS INSTRUCCIONES PARA FUTURAS REFERENCIAS.

ENSAMBAJE DE LA HERRAMIENTA

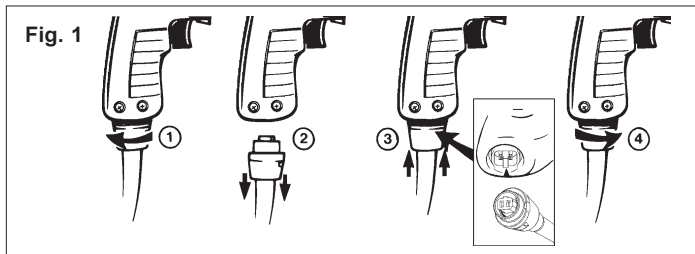


¡ADVERTENCIA!

Utilice siempre lentes de seguridad. Desconecte siempre su herramienta cuando monte o desmonte accesorios. Utilice solamente accesorios recomendados para esta herramienta. Otros pueden ser peligrosos. Proteja a otras personas en el área de trabajo de rebabas y chispas. Coloque barreras y escudos según sea necesario.

Montaje y desmontaje del cable de cambio rápido Quik-Lok® (Fig. 1)

Para realizar el cambio en forma inmediata en el área de trabajo, los Taladros Magnum de MILWAUKEE cuentan con el exclusivo cable Quik-Lok® de cambio rápido.



1. Para desmontar el cable Quik-Lok®, gire el cable 1/4 de vuelta hacia la izquierda y sepárelo del cuerpo de la unidad.
2. Para montar el cable Quik-Lok®, alinee las marcas en el conector con las del cable y empuje el conector hasta el fondo. Luego gire el cable 1/4 de vuelta hacia la derecha para asegurarlo.

Instalación del mango lateral

Este mango puede colocarse encima de la herramienta o a la derecha o a la izquierda de la caja de engranes. Colóquelo del lado que le ofrezca mejor control y protección. Para montarlo, simplemente enrosque el mango en el orificio del lado deseado y apriételo firmemente.

OPERACION



¡ADVERTENCIA!

Para reducir el riesgo de lesiones, use siempre lentes de seguridad o anteojos con protectores laterales. Desconecte la herramienta antes de cambiar algún accesorio o de hacerle algún ajuste.

Arranque controlado (Cat. No. 6154-20, 6156-20 y 6160-20)

Cuando se usa con corriente alterna de 120 volts, la característica de arranque controlado reduce el "tirón" de reacción del par de fuerza cuando se tira del gatillo. La característica de arranque controlado solamente funciona con corriente alterna.

Escala de control de velocidad (Cat. No. 6154-20 y 6156-20)

La escala de control de velocidad controla el máximo de vueltas por minuto de la lijadora/afiladora. Las posiciones de la escala oscilan entre 1 y 5. Los números más bajos corresponden a las velocidades más bajas y los más altos a las más altas. Utilice la posición más adecuada para la tarea.

1. Para establecer la velocidad, seleccione el nivel deseado y a continuación, hale el gatillo.
2. Para cambiar la velocidad.
3. Para detener la herramienta, suelte el gatillo.

Tacómetro de velocidad constante (Cat. No. 6160-20)

El tacómetro de velocidad constante mantiene las revoluciones por minuto de la herramienta (9000 rpm) a velocidad casi constante, incluso bajo carga. El tacómetro también ayuda a impedir que la herramienta se caliente en exceso. La herramienta se apaga automáticamente cuando el motor se sobrecarga. Se puede volver a arrancar apretando el gatillo de nuevo.

Encendido y apagado de la herramienta (Fig. 2)



1. Enchufe la herramienta.
2. Para arrancar la herramienta, y desactive el botón de fijación y a la vez, y apriete el activador.
3. Suelte el activador para parar la herramienta.

Bloqueo de activador (Fig. 2) (Cat. Nos. 6148, 6149-20, 6154-20 y 6156-20)

El botón de fijación mantiene el activador en la posición de ENCENDIDO para el uso continuo a toda velocidad.

1. Para el activador, mantenga oprimido el botón de fijación mientras aprieta el activador. Luego suelte el activador.
2. Para el activador, apriete el activador y suéltelo. El botón de fijación saltará.

Selección del Disco de Lija y el Disco Abrasivo



Para reducir el riesgo de lesión al personal y daño a la herramienta, use **SOLAMENTE** accesorios que estén marcados para usarse a las mismas o más RPM marcadas en las placas de "ADVERTENCIA" de la herramienta.

Use discos de lija y ruedas abrasivas que sean:

- del tamaño correcto como lo indica la placa de la herramienta.
- el tipo de disco correcto así como el grano adecuado para el trabajo.
- que esté marcado para operarse a las mismas o más de las RPM en la sección de "ADVERTENCIA" de la placa de especificaciones de la herramienta.

Use respaldos, adaptadores y otros accesorios que sean:

- del tamaño correcto para la herramienta para poder montar un disco de lija o un disco abrasivo.
- que esté marcado para operarse a las mismas o más de las RPM en la sección de "ADVERTENCIA" de la placa de especificaciones de la herramienta.
- sea el accesorio adecuado para el trabajo.

El material de los discos de lijado y discos para esmerilar

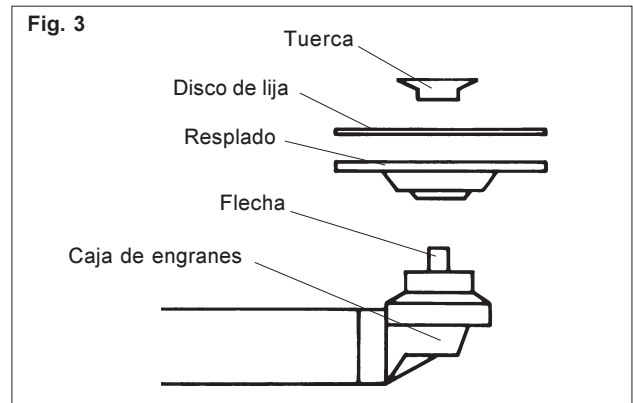
Los discos y las piedras abrasivas están hechos de varios materiales y diseñados para diferentes trabajos. Asegúrese que usted ha seleccionado el disco o piedra adecuados para el trabajo que se va a realizar.

Selección del disco y del grano abrasivo

Utilice como referencia la tabla que a continuación se presenta para seleccionar el disco. Generalmente use grano 24 o 36 para remociones fuertes de metal; granos 50, 60 o 80 para remociones medias y grano 120 para acabados. Empiece siempre con un grano burdo, usando posteriormente granos más finos para obtener el acabado deseado. Vea Catalogue para una lista completa de los discos para lijado *MILWAUKEE*.

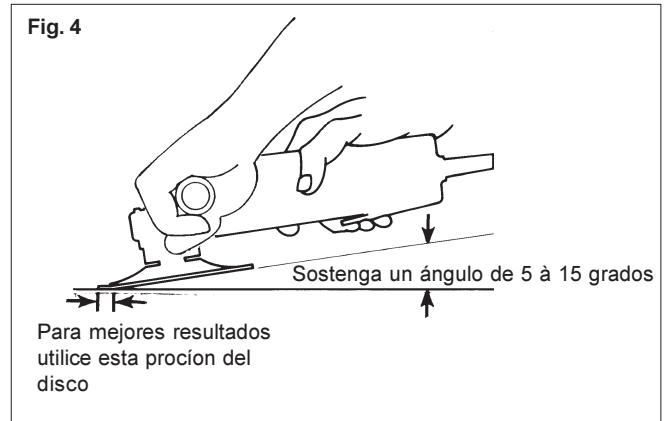
Discos de Oxido de aluminio	Discos de Sircónes de aluminio	Discos de cerámica
Para desbaste rápido y aplicaciones generales en la mayoría de las operaciones en metal. Ideal para acero rolado en frío, acero inoxidable o metales que requieran abrasivos de larga vida, desbaste rápido y rudo.	Su diseño especial de grano permite remover rápidamente el material. Ideal para operaciones sobre pintura de autos, lanchas, etc. sin que se obstruyan.	Ideales para aplicaciones generales en metal porque duran hasta tres veces el tiempo de los discos de óxido de aluminio.

Instalación de respaldos y discos de lija (Fig. 3)



1. Desconecte la herramienta y colóquela boca arriba sobre una superficie plana. Desmonte todos los accesorios de la flecha.
2. Coloque el respaldo en la flecha de forma que la superficie plana quede alejada de la caja de engranes.
3. Coloque el disco abrasivo en el respaldo y asegúrelo a la flecha con la tuerca.
4. Para apretarlo, presione el seguro que trabará la flecha al tiempo que gira el disco en dirección de las manecillas de un reloj, con la llave que se incluye como equipo.
5. Para desmontar el respaldo y el disco abrasivo, desconecte la herramienta y haga el procedimiento a la inversa.

Lijado (Fig. 4)



1. Fije el material sobre el que va a trabajar con pinzas o sujetadores de forma tal que le dejen libres ambas manos para controlar la herramienta. Tómela firmemente y empuñe el apoyo lateral antes de operarla y durante la operación. Permita que la herramienta alcance su velocidad total antes de trabajarla.
2. Sujete su unidad en un ángulo de 5 a 15 grados para asegurarse un lijado y control correctos. Un ángulo mayor resultará en mucha presión y desgaste excesivo tanto del disco como del material. Un ángulo menor reduce el control de la unidad.
3. Lije con movimientos largos y rítmicos, de lado a lado del material, con avances hacia adelante para producir el acabado deseado.

Remoción De Soldadura o Marcas De Martillos

Para esta operación, limite el lijado a las superficies inmediatas. Utilice posteriormente granos finos para emparejar la superficie.

Lijado cruzado

Cuando vaya a darle el acabado a una superficie que ha sido preparada por un disco de lija de grano grueso o disco abrasivo, lije en ángulos rectos las marcas que le haya hecho el abrasivo anterior. Las marcas que deja el disco anterior son fácilmente visibles y se pueden quitar con un acabado uniforme. Si no se hace este lijado cruzado cuando se pasa de un abrasivo grueso al abrasivo para acabado puede resultar en marcas profundas y circulares.

Acabado en metal

Muévase constantemente a través de la superficie. Trabaje mas rápidamente en las superficies curvas, en donde las areas de contacto son menores y la presión es mayor. Al final de la pasada pueden aparecer marcas planas, cuando la presión es muy alta. Reduzca la presión al final de cada pasada y cuando haga pasadas en reversa.

Solución a los problemas

Las marcas profundas y circulares pueden deberse a:

- Usar un grano muy grueso
- Usar un disco parcialmente cristalizado
- Polvo o rebabas sueltas en el material a lijar
- No haber lijado en forma cruzada, a través del grano, cuando se cambió de un abrasivo con grano grueso a un disco para acabados.
- Por no haber usado un disco mas cerrado para reducir el problema de partículas del abrasivo suelto sobre la superficie a trabajar.

Cuando la superficie del metal se pone azulosa, esto indica:

- Que se ha causado un calor excesivo por movimientos circulares en areas muy pequeñas.
- Presión excesiva
- Por usar discos gastados o cristalizados.

Esmerilando y el uso de discos abrasivos



¡ADVERTENCIA!

Utilice solamente los discos con una velocidad máxima para una operación segura, mayores que las R.P.M. indicadas en la placa de especificaciones de la herramienta. Esta velocidad se basa en la resistencia del disco y permite una medida de seguridad razonable. Esto no implica que ésta velocidad sea mejor u óptima. No exceda la velocidad máxima para una operación segura.

Siempre maneje los abrasivos con cuidado para evitar dañarlos. Antes de instalarlos revise sin no tienen grietas o cuarteaduras. Si están dañados, deséchelos para evitar que otras personas los usen.



¡ADVERTENCIA!

Para reducir el riesgo de lesión, deberá instruirse al operario en el uso, cuidados y protección de los discos abrasivos.

Cuidado de las Ruedas Abrasivas

Las ruedas abrasivas deben protegerse de:

- humedad y humedad extrema.
- cualquier tipo de solvente.
- cambios extremos de temperatura.
- caídas y golpes.

Las piedras abrasivas deben guardarse:

- en una forma organizada de forma tal que puedan tomarse, sin dañar, otras piedras abrasivas.
- con su información de seguridad.

Las piedras abrasivas NO deben:

- dejarse caer.
- rodarse.
- golpearse.

Si un abrasivo cae, se rueda o se golpea, o se somete a cambios extremos de temperatura, o ha estado en contacto con solventes o humedad, deséchelo de inmediato.



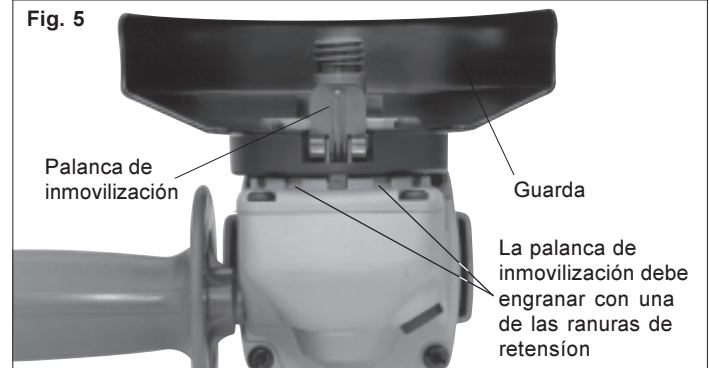
¡ADVERTENCIA!

Para reducir el riesgo de lesión:

- **SIEMPRE** instale la guarda de protección.
- **SIEMPRE** verifique que esté bien instalada.
- **SIEMPRE** tome la esmeriladora firmemente con las dos manos antes de iniciar el esmerilado.
- **NUNCA** use un disco abrasivo que haya sido golpeado.
- **NUNCA** golpee el abrasivo contra la superficie de trabajo.
- **NUNCA** esmerile sin tener el equipo de seguridad adecuado.

Instalación de discos abrasivos (Fig. 5 y 6) Cat. No. 6148, 6149-20, 6151, 6152-20, 6153-20, 6154-20, 6155-20, 6156-20

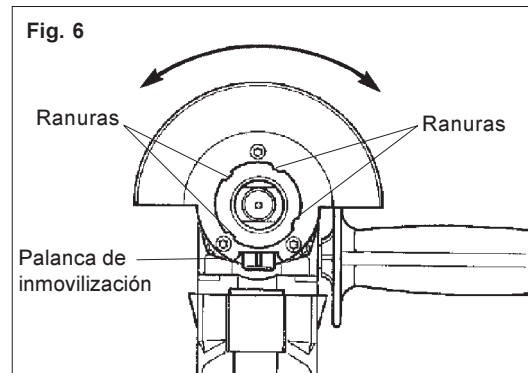
Fig. 5



Esta herramienta se embarca con la cubierta protectora instalada. Se debe usar la cubierta protectora cuando se usa la herramienta como una esmeriladora. La cubierta protectora se debe retirar cuando se usa la herramienta como una lijadora.

1. Para retirar la cubierta protectora, desenchufe la herramienta y vuélvala boca abajo en una superficie nivelada.
2. Apriete la palanca de inmovilización y haga girar la cubierta protectora de modo que las cuatro lengüetas se alineen con las cuatro ranuras como se muestra en la figura 6.

Fig. 6

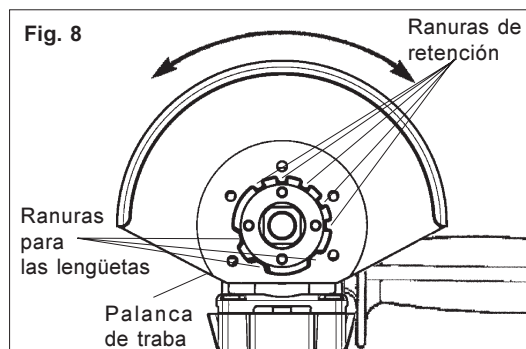


3. Luego levante la cubierta protectora hacia arriba y muévala lejos de la herramienta.
4. Para instalar la cubierta protectora, desenchufe la herramienta y vuélvala al revés en una superficie nivelada. Retire cualquier accesorio del huso.
5. Alinee las cuatro lengüetas con las cuatro ranuras como se indica en la figura 6.
6. Luego comprima la cubierta protectora sobre la herramienta.
7. Apriete la palanca de inmovilización y haga girar la cubierta protectora a una de las cinco ranuras de retención. La palanca de inmovilización debe engranar con una de las ranuras de retención.
8. Para ajustar la cubierta protectora, apriete la palanca de inmovilización y haga girar la cubierta protectora a una de las cinco ranuras de retención.



Esta herramienta se envía con el protector sin instalar. Se debe usar el protector cuando se use la herramienta como esmeriladora. Cuando se use como lijadora, se debe quitar.

1. Para **quitar** el protector, desenchufar la herramienta y colocarla boca abajo en una superficie nivelada. Quitar todos los accesorios del vástago.
2. Presionar la palanca de traba y girar el protector para alinear las lengüetas con las ranuras, como se muestra en la fig. 8.



3. Presionar la palanca de traba y levantar el protector, alejándolo de la herramienta.
4. Para **instalar** el protector, desenchufar la herramienta y colocarla boca abajo en una superficie nivelada. Quitar todos los accesorios del vástago.
5. Alinear las lengüetas con las ranuras, como se muestra en la fig. 8.
6. Presionar la palanca de traba y presionar el protector hacia abajo, contra la herramienta.
7. Presionar la palanca de traba y girar el protector en sentido horario a una de las cinco ranuras de retención. La palanca de traba debe engancharse en una de las ranuras de retención.
8. Para ajustar el protector, presionar la palanca de traba y girar el protector a una de las cinco ranuras de retención (Fig. 8).



¡ADVERTENCIA!

Para reducir el riesgo de lesión:

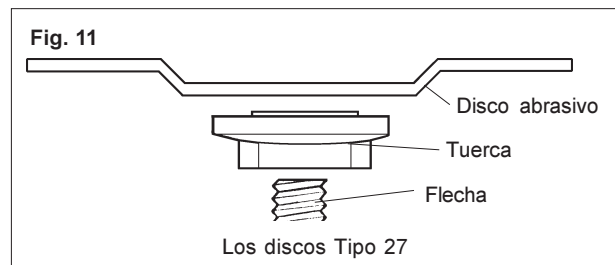
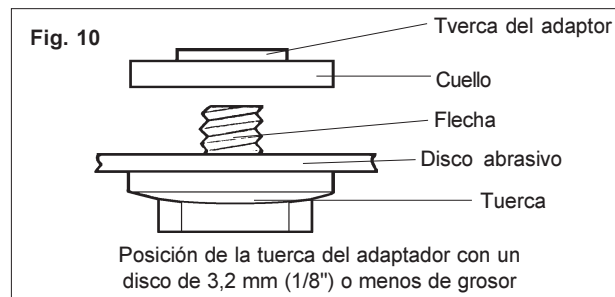
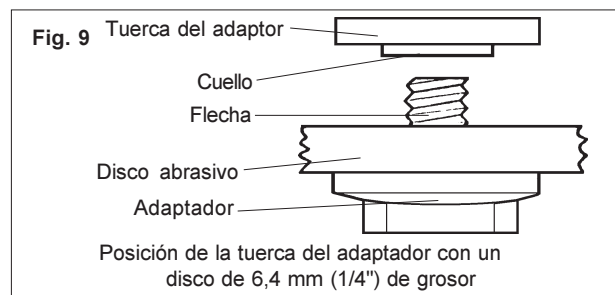
- **SIEMPRE** instale la guarda de protección.
- **SIEMPRE** verifique que esté bien instalada.
- **SIEMPRE** tome la esmeriladora firmemente con las dos manos antes de iniciar el esmerilado.
- **NUNCA** use un disco abrasivo que haya sido golpeado.
- **NUNCA** golpee el abrasivo contra la superficie de trabajo.
- **NUNCA** esmerile sin tener el equipo de seguridad adecuado.

Seleccionando los discos

Esmerilar es la acción de cortar con miles de granos abrasivos que se encuentran en la cara de un disco o de una piedra abrasiva. Cuando esmerile metales como acero y hierro, seleccione un abrasivo de óxido de aluminio. Cuando esmerile piedra o concreto, utilice uno de carburo de silicio. Utilice discos reforzados con algodón para metales no ferrosos.

Los discos reforzados Tipo 27 de 3 mm (1/8") o menos son ideales para operaciones de corte y de acanalado solamente.

Instalación de la rueda de esmeril (Fig. 9, 10, 11 y 12)



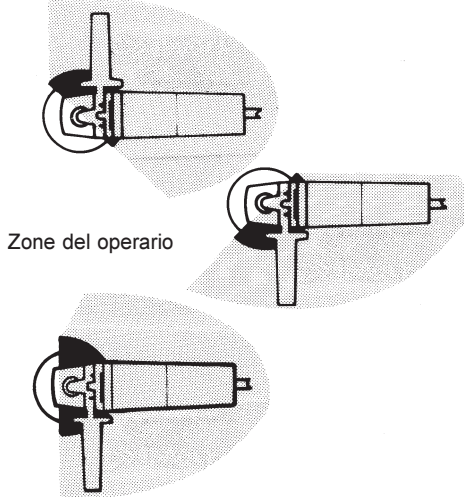


¡ADVERTENCIA!

Para reducir el riesgo de lesiones, no utilice el botón de inmovilización del huso para detener el huso mientras la herramienta está en uso o cuando está marchando por inercia. Esto tendrá por resultado daño a la herramienta.

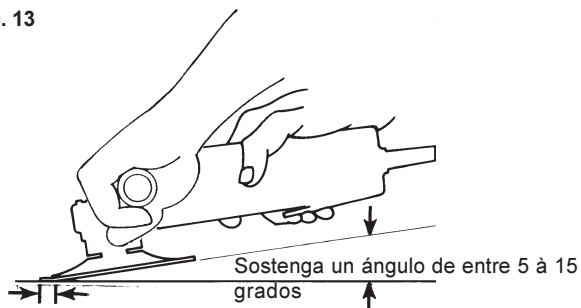
1. Cuando la cubierta protectora está puesta correctamente, coloque el reborde en el huso con el reborde orientada hacia fuera como se indica.
2. Ponga la rueda seleccionada en el huso y alinee la rueda con el reborde. Coloque la tuerca de reborde según el espesor de la rueda como se muestra (Fig. 9, 10 y 11).
3. Pulse el botón de inmovilización del huso mientras hace girar la tuerca de reborde en el sentido de las agujas del reloj. Apriétela seguramente con la llave inglesa suministrada.
4. Para retirar la rueda, desenchufe la herramienta y realice los pasos en orden inverso.

Fig. 12



Esmerilando (Fig. 13)

Fig. 13



1. Si usted acaba de instalar un disco abrasivo o está por empezar un trabajo, pruebe el disco dejándolo que gire por un minuto antes de aplicarlo sobre la superficie.

NOTA: Cuando los discos están desbalanceados, pueden dañar el material, la herramienta y causar fatiga al disco y provocar que este falle.

2. Sujete firmemente la herramienta y el mango lateral antes de encenderla. Permita que el disco alcance su máxima velocidad antes de iniciar el esmerilado.

3. Cuando esmerile, mantenga la unidad en un ángulo de entre 5 y 15 grados, como se ilustra, usando una presión constante para un terminado uniforme. Un ángulo excesivo provoca concentración de presión en áreas pequeñas lo que se traduce en daños al material o quemaduras en la superficie del trabajo.
4. Control pressure and surface contact between disc and workpiece. Too much pressure slows cutting speed.



¡ADVERTENCIA!

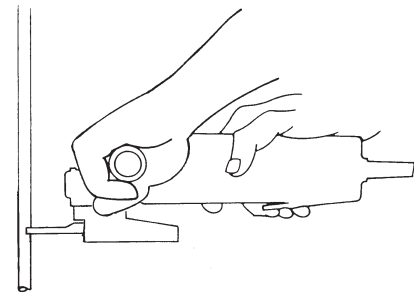
Se debe instalar una guara tipo 1 cuando utilice un disco cortador para proporcionar una máxima protección para el operador en caso que el disco se rompa.

Usando discos de corte (Fig. 14)

Los discos reforzados Tipo 1 son ideales para operaciones de corte y de acanalado solamente.

1. Sujete firmemente la herramienta y el mango lateral antes de encenderla. Permita que el disco alcance su máxima velocidad antes de iniciar el esmerilado.
2. Cuando use discos de corte, sostenga su lijadora / esmeriladora tal como se ilustra, usando solo la orilla del disco.

Fig. 14



3. Controle la presión y el contacto entre la superficie y el disco. Una presión excesiva disminuye la velocidad del disco.



¡ADVERTENCIA!

Si se usa la cara de un disco de corte (como si se esmerilara), se podrá causar fracturas al mismo y podrá llegar a romperse, resultando en serias lesiones al operario.

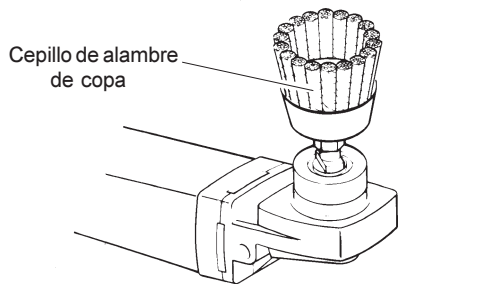
Instalación del cepillo de alambre (Fig. 15)



Todas las personas en el área de trabajo deberán usar lentes de seguridad y ropa de protección o en su caso, caretas de seguridad. Lo anterior es debido a que habrá partículas del alambre y residuos del mismo que, por fatiga del material, se desprenderán del cepillo a una fuerza considerable causando un riesgo potencial de lesiones serias en una área de hasta 15 metros del cepillo.

1. Desconecte la herramienta y colóquela hacia arriba sobre una superficie plana. Retire cualquier accesorio de la flecha.

Fig. 15

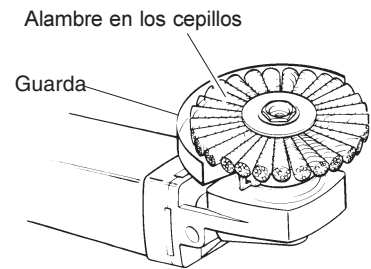


Debido a que los alambres en los cepillos están orientados hacia el operario, la guarda debe usarse para proteger al mismo cuando se desprendan partículas de alambre.

2. Para instalar, enrosque el cepillo de alambre en la flecha. Presione el seguro que traba la flecha al tiempo que aprieta el cepillo con una llave abierta de 22 mm (7/8") (no es equipo estándar).
3. Para desmontar el cepillo, desconecte la herramienta y haga el procedimiento inverso.

Uso de los cepillos de alambre (Fig. 16)

Fig. 16



Los cepillos son útiles para remover óxidos, polvos, exceso de soldadura, etc. Existe una amplia variedad de ellos para muchas aplicaciones.

Pruebe un cepillo de alambre para observar su balance y fibras dañadas, haciéndolo trabajar libremente por lo menos un minuto antes de iniciar el trabajo. Durante este tiempo, no permita que haya personas cerca de la herramienta. Cuando opere el cepillo, no aplique mucha presión ya que si lo hace, las cerdas se doblarán en exceso, se creará excesivo calor y se tendrá como resultado de ello, roturas prematuras de fibras o cerdas y una corta vida del cepillo. En lugar de aplicar mas presión, pruebe un cepillo que tenga una capacidad de corte mas agresiva (sea por mayor calibre del alambre, cerdas mas cortas o un tipo de cepillo diferente, por ejemplo, un cepillo anudado en lugar de uno con alambre rizado).



Nunca exceda la velocidad máxima de operación del cepillo. No use cepillos dañados o que funcionen inadecuadamente (que lancen partículas o estén desbalanceados, etc.) Estas condiciones aumentan el riesgo de una falla posterior mayor y una posible lesión. Descarte y reemplace inmediatamente los cepillos dañados.

MANTENIMIENTO



¡ADVERTENCIA!

Para reducir el riesgo de lesiones, desconecte siempre la herramienta antes de darle cualquier mantenimiento. Nunca desarme la herramienta ni trate de hacer modificaciones en el sistema eléctrico de la misma. Acuda siempre a un Centro de Servicio **MILWAUKEE** para TODAS las reparaciones.

Mantenimiento de las herramientas

Adopte un programa regular de mantenimiento y mantenga su herramienta en buenas condiciones. Antes de usarla, examine las condiciones generales de la misma. Inspeccione guardas, interruptores, el cable de la herramienta y el cable de extensión. Busque tornillos sueltos o flojos, defectos de alineación y dobleces en partes móviles, así como montajes inadecuados, partes rotas y cualquier otra condición que pueda afectar una operación segura. Si detecta ruidos o vibraciones anormales, apague la herramienta de inmediato y corrija el problema antes de volver a usarla. No utilice una herramienta dañada. Colóquese una etiqueta que diga "NO DEBE USARSE" hasta que sea reparada (vea "Reparaciones").

Bajo condiciones normales, no se requiere lubricación hasta que haya que cambiar los carbones. Después de 6 meses a un año, dependiendo del uso dado, envíe su herramienta al Centro de Servicio **MILWAUKEE** más cercano para que le hagan:

- Lubricación
- Inspección y cambio de carbones
- Inspección mecánica y limpieza (engranes, flechas, baleros, carcasa, etc.)
- Inspección eléctrica (interruptor, cable, armadura, etc.)
- Probarla para asegurar una operación mecánica y eléctrica adecuada.



¡ADVERTENCIA!

Para reducir el riesgo de lesiones, descarga eléctrica o daño a la herramienta, nunca la sumerja en líquidos ni permita que estos fluyan dentro de la misma.

Limpieza

Limpie el polvo y suciedad de las ventilas. Mantenga las empuñaduras de la herramienta limpias, secas y libres de aceite y grasa. Use sólo jabón neutro y un trapo húmedo para limpiar su herramienta ya que algunas sustancias y disolventes limpiadores pueden ocasionar daños a materiales plásticos y partes aislantes. Algunos de estos incluyen: gasolina, trementina, diluyente para barniz, diluyente para pintura, disolventes limpiadores clorados, amoníaco, y detergentes caseros que contengan amoníaco.

Reparaciones

Si su instrumento se daña, vuelva el instrumento entero al más cercano centro de reparaciones.

ACCESORIOS



¡ADVERTENCIA!

Para reducir el riesgo de lesiones, desconecte siempre su herramienta antes de colocar o retirar un accesorio. Use solo accesorios recomendados específicamente. Otros pueden ser peligrosos.

Para una lista completa de accesorios, refiérase a su catálogo **MILWAUKEE** Electric Tool o visite nuestro sitio en Internet: www.milwaukeetool.com. Para obtener un catálogo, contacte su distribuidor local o uno de los centros.

GARANTÍA LIMITADA DE CINCO AÑOS

Todas las herramientas **MILWAUKEE** se prueban antes de abandonar la fábrica y se garantiza que no presentan defectos ni en el material ni de mano de obra. En el plazo de cinco (5) años a partir de la fecha de compra **MILWAUKEE** reparará o reemplazará (a discreción de **MILWAUKEE**), sin cargo alguno, cualquier herramienta (cargadores de baterías inclusive) cuyo examen determine que presenta defectos de material o de mano de obra. Devuelva la herramienta, con gastos de envío prepagados y asegurada, y una copia de la factura de compra, u otro tipo de comprobante de compra, a una sucursal de reparaciones/ventas de la fábrica **MILWAUKEE** o a un centro de reparaciones autorizado por **MILWAUKEE**. Esta garantía no cubre los daños ocasionados por reparaciones o intentos de reparación por parte de personal no autorizado por **MILWAUKEE**, abuso, desgaste y deterioro normal, falta de mantenimiento o accidentes.

Las baterías, linternas y radios tienen una garantía de un (1) año a partir de la fecha de compra.

LOS DERECHOS A REPARACIÓN Y REEMPLAZO DESCRITOS EN EL PRESENTE DOCUMENTO SON EXCLUSIVOS. **MILWAUKEE** NO SERÁ EN NINGÚN CASO RESPONSABLE DE DAÑOS INCIDENTALES, ESPECIALES O CONSECUENTES, INCLUYENDO LA PÉRDIDA DE GANANCIAS.

ESTA GARANTÍA ES EXCLUSIVA Y SUSTITUYE A TODA OTRA GARANTÍA, O CONDICIONES, ESCRITAS U ORALES, EXPRESAS O IMPLÍCITAS DE COMERCIALIZACIÓN O IDONEIDAD PARA UN USO O FIN DETERMINADO.

Esta garantía le proporciona derechos legales específicos. Es posible que usted tenga otros derechos que varían de estado a estado y de provincia a provincia. En aquellos estados que no permiten la exclusión de garantías implícitas o la limitación de daños incidentales o consecuentes, las limitaciones anteriores pueden que no apliquen. Esta garantía es válida solamente en los Estados Unidos, Canadá y México.

UNITED STATES

MILWAUKEE Service

MILWAUKEE prides itself in producing a premium quality product that is **NOTHING BUT HEAVY DUTY®**.

Your satisfaction with our products is very important to us!

If you encounter any problems with the operation of this tool, or you would like to locate the *factory* Service/Sales Support Branch or *authorized service station* nearest you, please call...

1-800-SAWDUST

(1.800.729.3878)

NATIONWIDE TOLL FREE

Monday-Friday • 8:00 AM - 4:30 PM • Central Time
or visit our website at

www.milwaukeetool.com

For service information, use the 'Service Center Search' icon found in the 'Parts & Service' section.

Additionally, we have a nationwide network of *authorized* Distributors ready to assist you with your tool and accessory needs. Check your "Yellow Pages" phone directory under "Tools-Electric" for the names & addresses of those nearest you or see the 'Where To Buy' section of our website.

Corporate After Sales Service - Technical Support
Brookfield, Wisconsin USA

•Technical Questions •Service/Repair Questions •Warranty

1-800-SAWDUST

(1.800.729.3878)

fax:1.800.638.9582

email: metproductsupport@milwaukeetool.com

Monday-Friday • 8:00 AM - 4:30 PM • Central Time

CANADA

Service MILWAUKEE

MILWAUKEE est fier de proposer un produit de première qualité **NOTHING BUT HEAVY DUTY®**. Votre satisfaction est ce qui compte le plus!

En cas de problèmes d'utilisation de l'outil ou pour localiser le centre de service/ventes ou le *centre d'entretien* le plus proche, appelez le...

416.439.4181

fax: 416.439.6210

Milwaukee Electric Tool (Canada) Ltd

755 Progress Avenue

Scarborough, Ontario M1H 2W7

Notre réseau national de distributeurs *agrés* se tient à votre disposition pour fournir l'aide technique, l'outillage et les accessoires nécessaires. Composez le 416.439.4181 pour obtenir les noms et adresses des revendeurs les plus proches ou bien consultez la section «Où acheter» sur notre site web à l'adresse

www.milwaukeetool.com

MEXICO

Servicios de MILWAUKEE

Milwaukee Electric Tool

Bvd. Abraham Lincoln no. 13

Colonia Los Reyes Zona Industrial

Tlalnepantla, Edo. México C.P. 54073

Tel. 55 5565-1414 Fax: 55 5565-6874

Adicionalmente, tenemos una red nacional de distribuidores autorizados listos para ayudarle con su herramienta y sus accesorios. Por favor, llame al 55 5565-1414 para obtener los nombres y direcciones de los más cercanos a usted, o consulte la sección 'Where to buy' (Dónde comprar) de nuestro sitio web en

www.milwaukeetool.com

MILWAUKEE ELECTRIC TOOL CORPORATION

13135 West Lisbon Road • Brookfield, Wisconsin, U.S.A. 53005