



## Standard Features & Accessories

### Both ovens include

- Capacity—1.1 cu. ft. (31.2 lit.)
  - 29-15/16"W. x 15-1/2"H. x 15-5/16"D.
  - 13" (33.0 cm) diameter turntable
- Commercial-type styling and design
- Instant sensor settings for cooking, reheating, and popcorn
- Four convection settings use high-speed fan that circulates air past the heat source and around the food; allows multiple-rack baking
  - ConvecBroil
  - ConvecRoast
  - ConvecBake
  - Manual convection
- Low Mix Bake and High Mix Roast settings offer use of convection heat to seal and brown outside of foods while using microwave energy to ensure the interior is cooked
- Add-A-Minute allows you to add a minute of extra cooking time with the touch of one button
- Child Lock safety feature locks the control panel to prevent unwanted operation
- Interior light
- Cookbook included
- Built-in exhaust system
  - 300 CFM blower
  - Shipped assembled to recirculate; may also be converted to vent out the rear or vertically
- Suitable for use over 24"W. and 30"W. Viking surface cooking products (non-grill)

## Model Options



**VMOR205  
Professional  
Microwave Hood**



**DMOR205  
Designer  
Microwave Hood**

### FINISH DETAILS FOR BOTH MODELS

- Stainless Steel (SS)

### ORDERING INSTRUCTIONS

First specify model number, and then color code (VMOR205SS).





★ Please see Installation Notes and Accessories for important information, including filters.

## Dimensions & Specifications

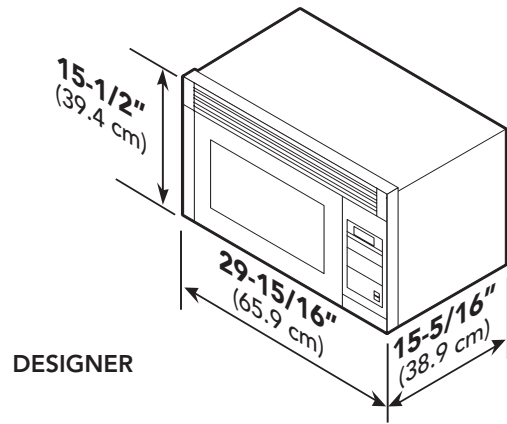
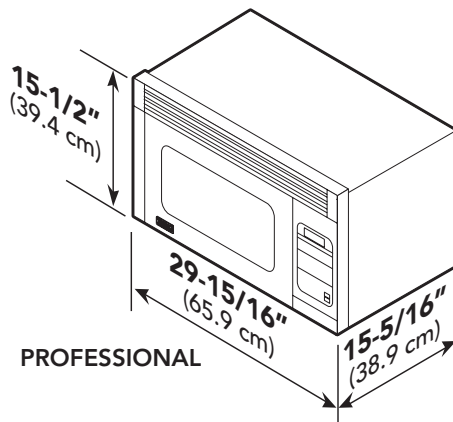
### PRODUCT DIMENSIONS



**VMOR205**  
Professional  
Microwave Hood



**DMOR205**  
Designer  
Microwave Hood



#### All Models

Overall width	29-15/16" (65.9 cm)
Overall height (from bottom)	15-1/2" (39.4 cm)
Overall depth (from rear)	15-5/16" (38.9 cm)
Approx. ship weight	85 lbs. (38.6 kg)



**COOKING**

**Professional & Designer Convection  
Microwave Hood**



## Dimensions & Specifications

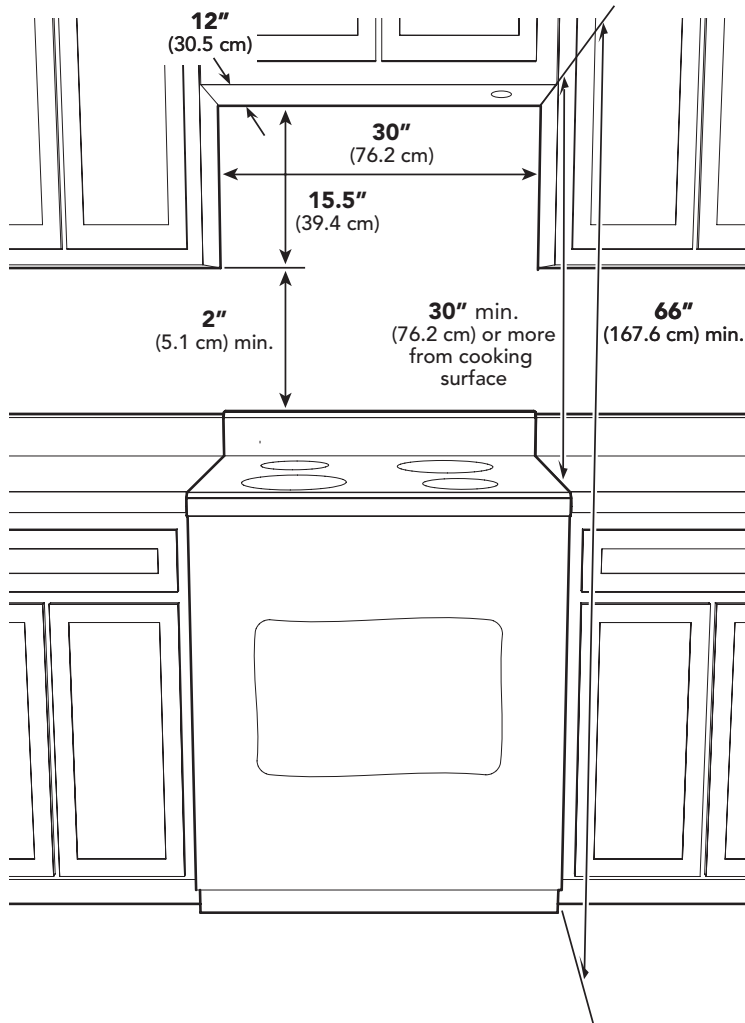
### CLEARANCE DIMENSIONS



**VMOR205  
Professional  
Microwave Hood**



**DMOR205  
Designer  
Microwave Hood**





**UTILITY  
REQUIREMENTS**



**GAS**

- Not applicable



**ELECTRICAL**

- 3.5-foot power cord included
- 120 VAC/60 Hz
- Maximum amp usage—  
13.2 (1.6 kW)



**PLUMBING**

Not applicable

**Installation Requirements**

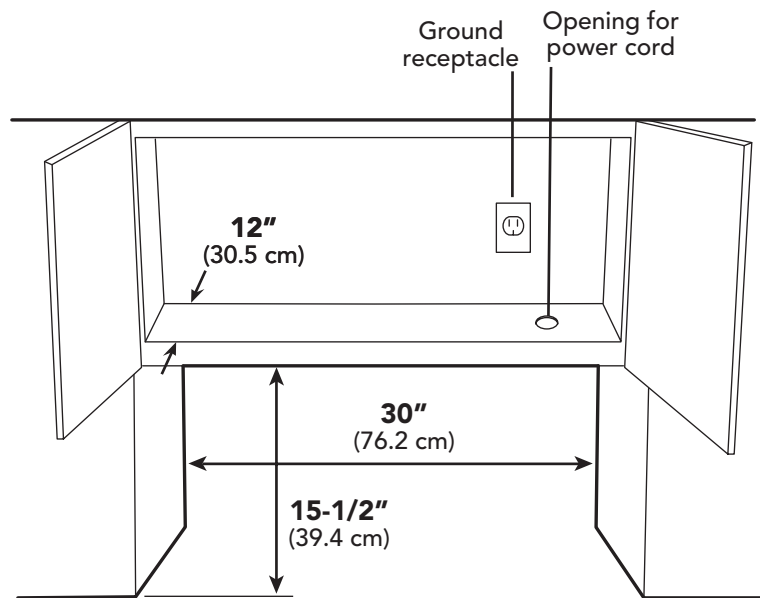
**ACCESS REQUIREMENTS**



**VMOR205  
Professional  
Microwave Hood**



**DMOR205  
Designer  
Microwave Hood**



**All models**

Cutout width	<b>30" (76.2 cm) min.</b>
Cutout height	<b>15-1/2" (39.4 cm) min.</b>
Cutout depth	<b>12" (30.5 cm) min.</b>



**COOKING**  
**Professional & Designer Convection**  
**Microwave Hood**



**✦ Installation Notes & Accessories**

**Replacement Air Filter**

- Recommended replacement every 6 – 12 months

Model	Description	Approx. ship wt. lbs. (kg)
CFOR1	Air filter for 30"W. microwave hood	2 lbs (.91)

**Compliance Information**



**WARRANTY INFORMATION\***

- One-year full warranty—complete product
- Five-year limited warranty—magnetron tube
- Ninety-day limited warranty—cosmetic parts such as glass, painted, and decorative items

\*For complete warranty see *Use & Care Guide*. Warranty valid on Viking products shipped within the United States and Canada.

