

6 W3 Be

6.5" Utopia Be® woofer



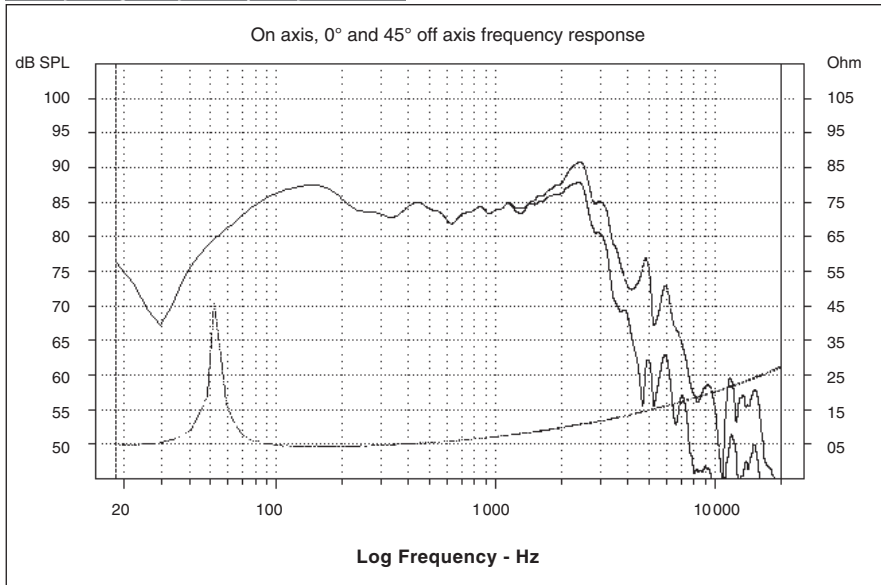
- W cone
- Neodymium magnet
- Zamak basket



Specifications

| | | |
|-----------------------|-----------|---------|
| Nominal power | 100 W | |
| Maximum power | 200 W | |
| Sensitivity (2.83V/m) | 89 dB | |
| Cone | W | |
| Surround | Rubber | |
| Nom. impedance | 4 ohm | |
| DC resistance | 3.22 ohm | |
| VC diameter | 40 mm | 1.57 in |
| VC height | 17 mm | 0.7 in |
| Former | Kapton® | |
| Layers | 2 | |
| Wire | Copper | |
| Inductance | 0.69 mH | |
| Xmax | 5.5 mm | |
| Magnet | Neodymium | |
| Flux density | 0.8 T | |
| Gap height | 6 mm | 0.25 in |
| Net weight | 0.9 kg | 2 lbs |

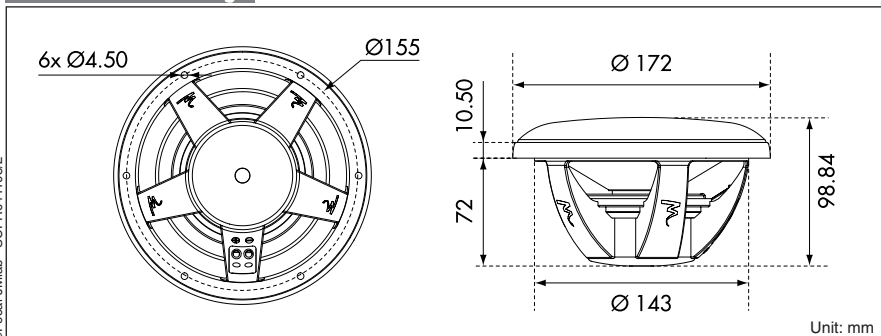
Frequency Response / Impedance



Parameters

| | |
|-----|----------------------------|
| Fs | 55.28 Hz |
| Vas | 9.92 l |
| Qts | 0.765 |
| Qes | 0.82 |
| Qms | 11.42 |
| Re | 3.22 ohm |
| Sd | 132.73 cm ² |
| Cas | 7.07E-08 m ⁵ /N |
| Mas | 117.32 kg/m ⁴ |
| Ras | 3568.36 ohm.ac |
| Cms | 4.01E-04 m/N |
| Mms | 20.67 g |
| Rms | 0.629 kg/s |
| Ces | 733.18 mF |
| Les | 11.31 mH |
| Res | 44.84 ohm |
| BI | 5.31 N/A |
| SPL | 84.95 dB/W/m |

Mechanical Drawing



Focal® is a trademark of Focal-JMLab®

3 W2 Be

3" Utopia Be® midrange



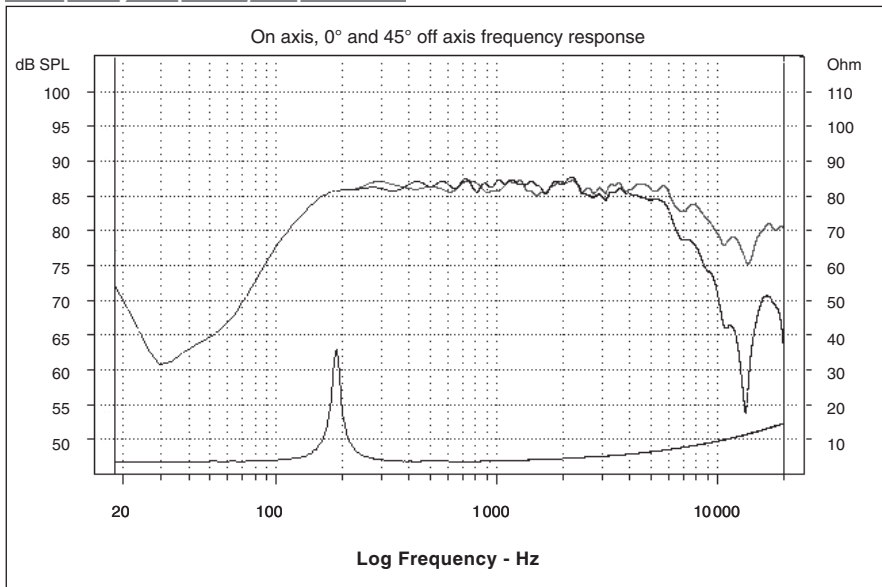
- W cone
- Neodymium magnet
- Zamak basket



Specifications

| | | |
|-----------------------|-----------|---------|
| Nominal power | 50 W | |
| Maximum power | 100 W | |
| Sensitivity (2.83V/m) | 88 dB | |
| Cone | W | |
| Surround | Rubber | |
| Nom. impedance | 4 ohm | |
| DC resistance | 3.37 ohm | |
| VC diameter | 25 mm | 1 in |
| VC height | 8.5 mm | |
| Former | Kapton® | |
| Layers | 2 | |
| Wire | Aluminum | |
| Inductance | 0.11 mH | |
| Xmax | 2 mm | 0.08 in |
| Magnet | Neodymium | |
| Flux density | 1.2 T | |
| Gap height | 4 mm | 0.16 in |
| Net weight | 0.18 kg | 0.4 lb |

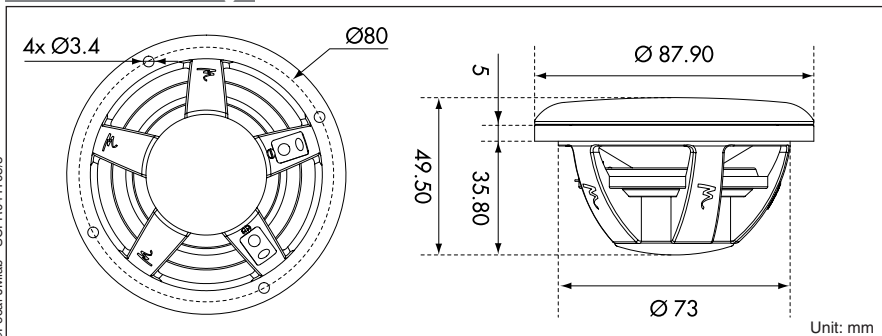
Frequency Response / Impedance



Parameters

| | |
|-----|----------------------------|
| Fs | 188.74 Hz |
| Vas | 0.31 l |
| Qts | 0.729 |
| Qes | 0.770 |
| Qms | 13.790 |
| Re | 3.37 ohm |
| Sd | 30.19 cm ² |
| Cas | 2.18E-09 m ⁵ /N |
| Mas | 325.84 kg/m ⁴ |
| Ras | 28021.38 ohm.ac |
| Cms | 2.39E-04 m/N |
| Mms | 2.97 g |
| Rms | 0.255 kg/s |
| Ces | 192.67 mF |
| Les | 3.69 mH |
| Res | 60.35 ohm |
| BI | 3.93 N/A |
| SPL | 86.12 dB/W/m |

Mechanical Drawing



Focal® is a trademark of Focal-JMLab®