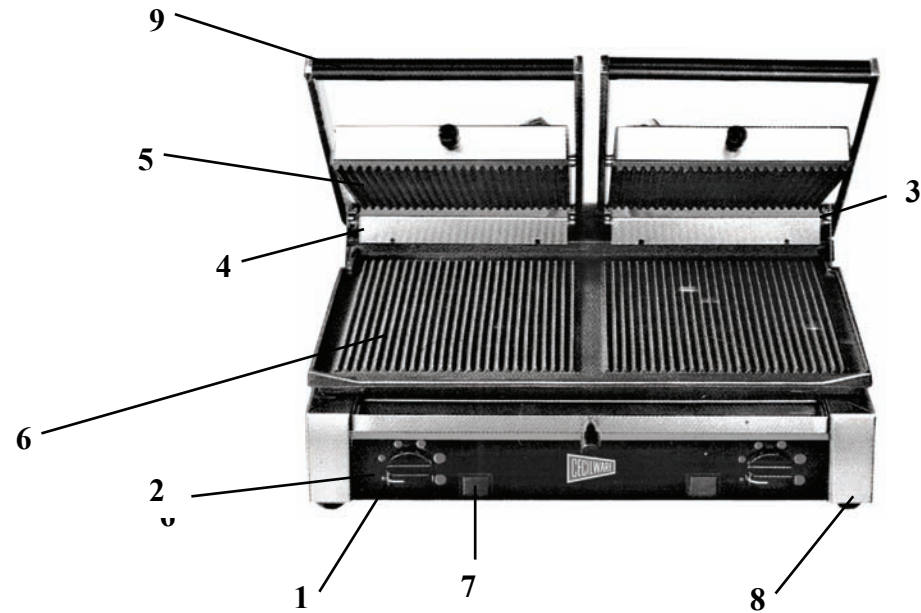


SPARE PARTS LIST FOR SANDWICH GRILLS



ITEM #	PART #	DESCRIPTION
1	01500	Thermostat – All TSG – ELG
2	01501	Thermostat Knob – All TSG – ELG
3	01502	Right Lifting Spring – TSG-2 (Only)
3	0515	Right Lifting Spring – TSG-1 (Only)
4	01503	Left Lifting Spring – TSG-2 (Only)
4	01514	Left Lifting Spring – TSG-1 (Only)
5	01504	Upper Element – 120V – TSG-1 (Only)
5	01506	Upper Element – 230V – TSG-2 (Only)
6	01505	Lower Element – 120V – TSG-1 – ELG-1
6	01512	Lower Element – 230V – TSG-2 – ELG-2
7	01507	Pilot Light – All 230V – TSG-2 – ELG-2
7	01516	Pilot Lights – 120V – TSG – ELG
8	01508	Feet – All TSG's
9	01509	Top Plate Handle – TSG-1 (Only) (Long)
9	01511	Top Plate Handle – TSG-2 (Only) (Short)
Not Shown	01510	Terminal Block – All TSG's
Not Shown	01513	Grill Brush



# THE SANDWICH "PANINI" GRILL

## OPERATION MANUAL

- TSG-1G** (All Grooved Surfaces)\*
- TSG-1F** (All Flat Surfaces)\*
- ELG-1G** (All Grooved Surface) †
- ELG-1F** (All Flat Surface) †

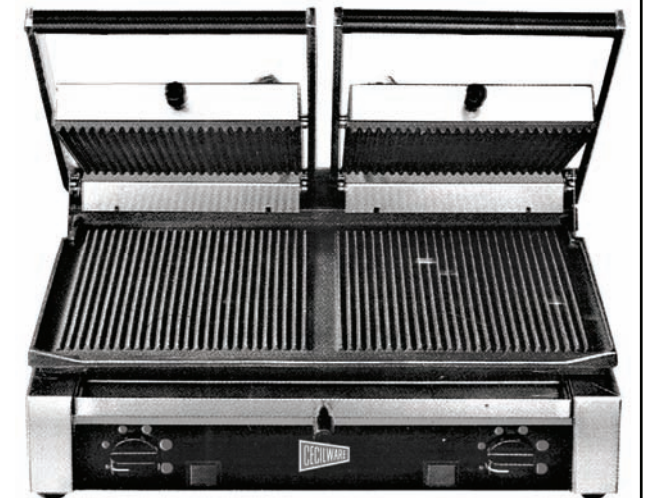
\* Available with timer – Add Suffix "T" (not shown)  
 † Not shown



TSG-1G

- TSG-2G** (All Grooved Surfaces)\*
- TSG-2F** (All Flat Surfaces)\*
- ELG-2G** (All Grooved Surface) †
- ELG-2F** (All Flat Surface) †
- ELG-2F/G** (Flat/Grooved Surface) †

\* Available with timer – Add Suffix "T" (not shown)  
 † Not shown



TSG-2G



## CECILWARE CORPORATION

43-05 20th Avenue • Long Island City, NY 11105  
 Tel: 800-935-2211 • Fax: 718-932-7860

## GENERAL SPECIFICATIONS

MODEL	SURFACES	GRIDDLE AREA	DIMENSIONS (W x D x H)	ELECTRICAL	NEMA PLUG TYPE	SHIP WEIGHT
TSG-1G ELG-1G	Grooved	14½" x 10"	15" x 12½" x 7"	120/60/1 13 Amps 1800 Watts	5-15P	53 lbs.
TSG-1F ELG-1F	Flat	14½" x 10"	15" x 12½" x 7"	120/60/1 13 Amps 1800 Watts	6-15P	53 lbs.
TSG-2G ELG-2G	Grooved	19¾" x 11"	20¼" x 12½" x 7"	230/60/1 7 Amps 3450 Watts	6-20P	69 lbs.
TSG-2F ELG-2F	Flat	19¾" x 11"	20¼" x 12½" x 7"	230/60/1 7 Amps 3450 Watts	6-20P	69 lbs.

## INSTALLATION

### 1. SETTING UP THE GRILL

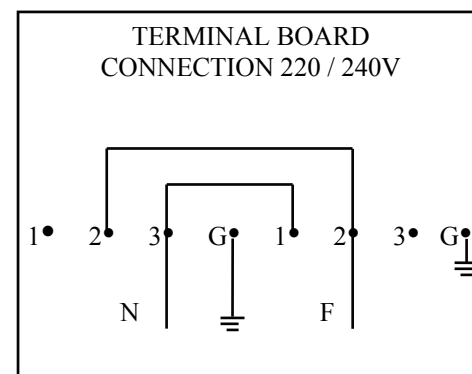
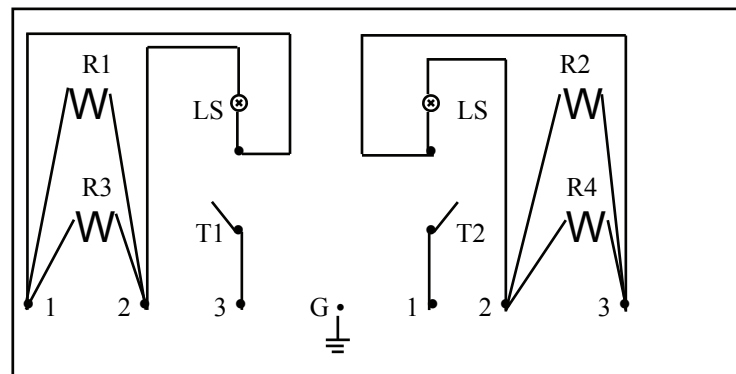
The grill must be placed on a table or work area suitable for its overall dimension. Make sure workspace is properly ventilated and free from combustible material.

### 2. ELECTRICAL CONNECTIONS

The grill is equipped with its own power supply cord.

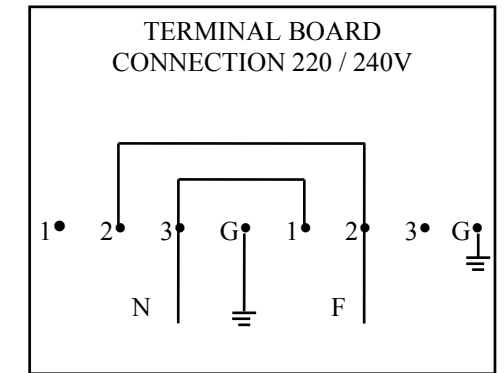
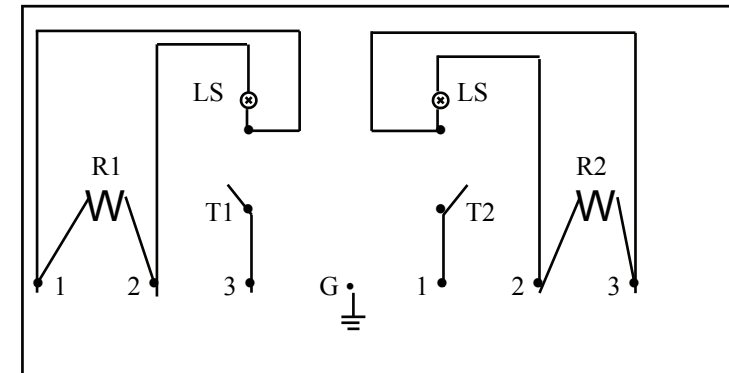
## ELECTRICAL CIRCUIT DIAGRAMS FOR TSG-2G AND TSG-2F BOTTOM ELEMENTS

R1 –R2 –R3 –R4	= RESISTORS
LS	= PILOT LAMP
T1 – T2	= THERMOSTATS
M1 – 3	= TERMINALS

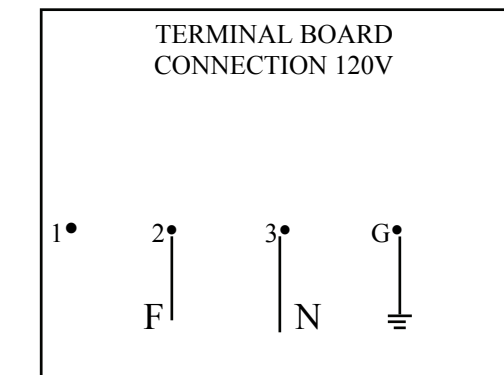
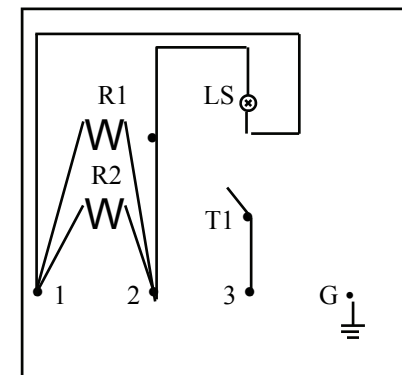


## ELECTRICAL CIRCUIT DIAGRAMS FOR TSG-2G AND TSG-2F TOP ELEMENTS

R1 –R2 –R3 –R4	= RESISTORS
LS	= PILOT LAMP
T1 – T2	= THERMOSTATS



## ELECTRICAL CIRCUIT DIAGRAMS FOR TSG-1G AND TSG-1F ELEMENTS



### 3. USE OF GRILL

Prior to using grill make sure all the protective vinyl coating has been removed from stainless steel body. Make sure thermostat is in the off position. Plug unit into proper outlet. Turning thermostat knob in a "clockwise" direction will turn unit on and start heating process. Pilot Light will go out when grill surfaces have reached proper temperature. It is normal for grill surfaces to smoke when first using unit. Smoke will disappear in 15 – 20 minutes. Place items to be cooked on grill surface and carefully lower top onto food. Do not force. Cooking time will vary dependent on density of items cooked.

### 4. GENERAL CLEANING

A brush has been included for the cleaning of the grill. Cleaning is easiest when grill is hot. Never pour cold liquids on hot grill surface. This will cause grill plate to crack.