

Electrolux air-o-steam - level A

Combi LW 20 GN 2/1-electric

Electrolux air-o-steam blends tradition with the latest technological research in order to satisfy the creativity and working requirements of today's professional kitchen. The air-o-steam range offers a choice of different models available in two levels of operation, providing a high degree of automation and an extensive range of accessories. The air-o-steam combis are designed to form complete cook&chill systems together with air-o-chill blast chillers/freezers, therefore, any installation can be tailored to meet the needs of the caterer. The air-o-steam combis detailed are level A, 20 GN 2/1 electric models.



267005

OPERATING MODES

- Convection cycle (max. 300 °C): ideal for meat to be cooked without humidity and "au gratin". In conjunction with the half-power function for all kinds of pastry cooking. The humidity generated by the food itself can be controlled by air-o-clima with Lambda sensor for a natural cooking.
- Steam cycle (max. 130 °C): for products that can be cooked in water. Steam cooking respects the original properties of the food and reduces weight loss.
- Combi cycle (max. 250°C): ideal for most kinds of cooking. Impressive reduction of cooking times and food shrinkage. The humidity generated by the food and the steam generator can be controlled by air-o-clima with

- Lambda sensor for consistent results regardless of the food load.
- air-o-steam ovens can cook by controlling either the cooking time or the product's core temperature through a 6-sensor probe.
- Regeneration cycle: it produces the best humidity conditions for quickly heating the products to be regenerated (max. 250°C) on the plate.
- Fan speeds: full, half speed (for delicate cooking such as for baking cakes) and HOLD (pulse ventilation for baking and low temperature cooking). The "HOLD utility" is also perfect for keeping food warm at the end of the cooking cycle.
- Low power cycle: for delicate cooking such as for baking cakes.
- Eco-delta: the temperature

- inside the cooking cell is higher than the temperature of the food and rises accordingly.
- Low Temperature Cooking (LTC, automatic cycle): indicated for large pieces of meat, automatically selects the cooking parameters to achieve the lowest weight loss. It features ARTE (Algorithm for Remaining Time Estimation).
- Exhaust valve electronically controlled to extract the humidity excess.
- Break phase: set a time to delay the start of cooking programs or to program a break between two cooking cycles (for example to allow rising).
- 20 pre-set programs and 100 7-step free cooking programs.



Electrolux

**Electrolux air-o-steam - level A
Combi LW 20 GN 2/1-electric**

- air-o-clean: 4 different pre-set cycles to clean the cooking cell, according to the actual requirements. The cleaning system is built-in (no need for add-ons).
- Quick cooling: useful when passing to a type of cooking that requires a lower temperature than the previous one. It works automatically and manually.
- Manual injection of water in the cell.
- Automatic steam generator water draining with an automatic scale diagnosis system.
- HACCP management as standard: it allows the recording of the cooking programme according to H.A.C.C.P. standard (Hazard Analysis and Critical Control Points).

PERFORMANCE

- air-o-clima: controls and displays the exact (single degree of accuracy) humidity degree of the oven atmosphere in hot air, combi and regeneration cycles. Air-o-clima measures physically the real humidity level inside the cooking cell and acts consequently according to the set value. With hot air cycles, air-o-clima also manages to exhaust the excess humidity generated by the food.
- air-o-flow: blows fresh air from outside through the bi-functional fan, which pulls the air in from the backside of the oven after it is pre-heated, thus guaranteeing an even cooking process.
- Multi-sensor food probe: 6 sensors, 1/2 °C accuracy.

- Height adjustable legs.
- Double thermo-glazed door equipped with drip pans to catch condensate and prevent slippery floor for maximum security and four holding positions allowing easier loading and unloading.
- Halogen lighting in the cooking cell.
- Access to main components from the front panel.
- Automatic scale diagnosis system in the steam generator to detect the presence of scale build-up.
- IPX5 water protection.
- air-o-steam ovens meet IMQ safety requirements.

CONSTRUCTION

- Stainless steel 304 throughout, with seamless joints in the cooking cell.

	AOS202EAA1 267005
TECHNICAL DATA	
Power supply	Electric
Number of grids	20
Runners pitch - mm	63
Cooking cycles - °C	
air-convection	300
steam	130
combi	250
Convection	●
Steaming	●
Convection/steaming	●
Humidity control	●
Cook&hold	●
Regeneration	●
Low temp steaming	●
Two-speed fan	●
Multi Point Probe	●
Automatic cleaning system	●
N° of programs	100
External dimensions - mm	
width	1243
depth	1107
height	1795
Internal dimensions - mm	
width	933
depth	830
height	1450
Power - kW	
boiler	48
auxiliary	2
cooking chamber	48
electric	50
Net weight - kg.	375
Supply voltage	400 V, 3N, 50/60

**Electrolux air-o-steam - level A
Combi LW 20 GN 2/1-electric**

ECAA050

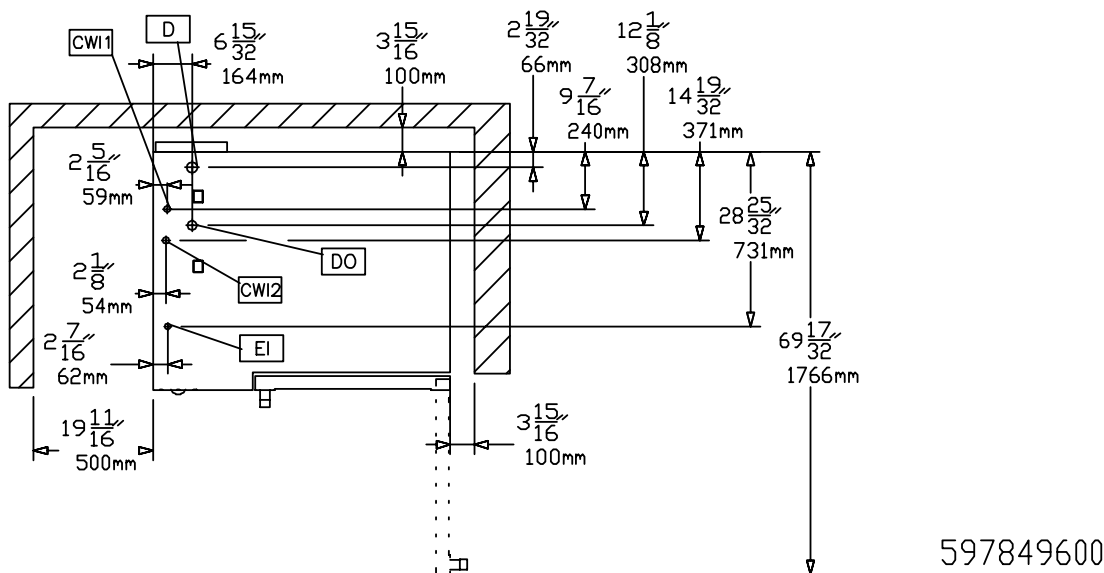
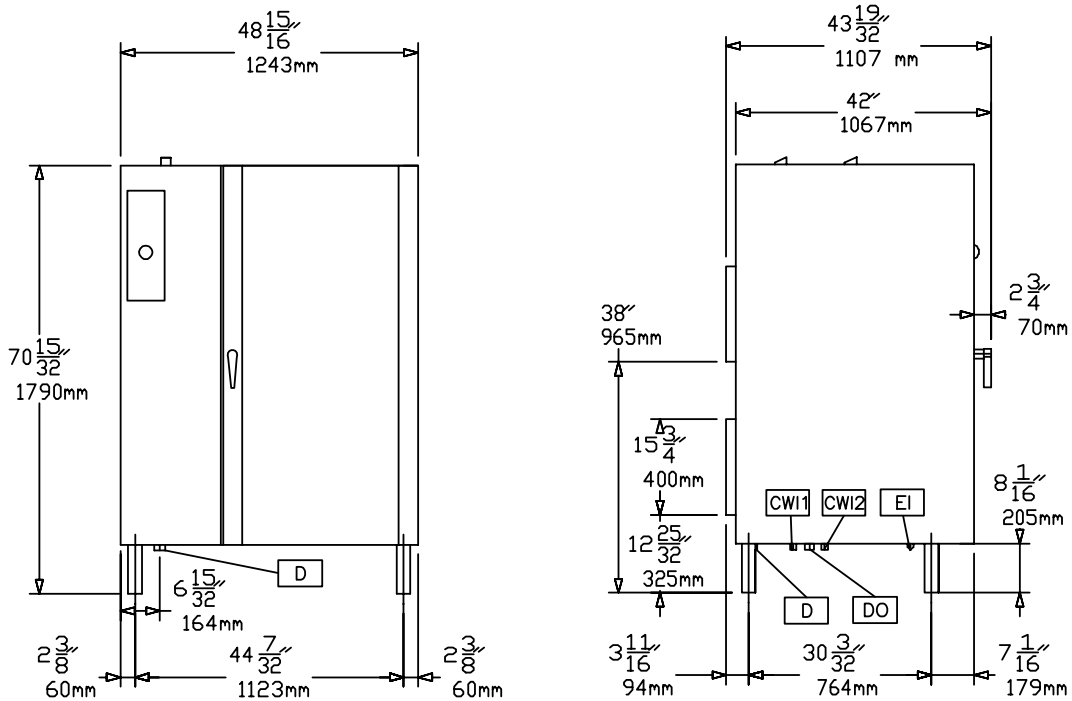
2009-09-21

Subject to change without notice

	AOS202EAA1 267005
INCLUDED ACCESSORIES	
CONTROL PANEL FILTER-20 GN2/1 OVENS-LW	1
TROLLEY TRAY RACK F. 20X2/1GN,63MM PITCH	1
ACCESSORIES	
1 GRID GN1/1 FOR 8 WHOLE CHICKENS(1.2KG)	922266
2 FAT FILTERS FOR 20X1/1 & 2/1 OVEN	922179
2 FRYING BASKETS FOR OVENS	922239
2 GRIDS GN 1/1 FOR CHICKENS (8 PER GRID)	922036
AUTOMATIC WATER SOFTENER FOR OVENS	921305
BAKING TRAY(400X600X20)4 EDGES-ALUMINIUM	922191
BAKING TRAY(400X600X20)4 EDGES-PERF.ALUM	922190
BANO.TROLLEY-92PLATES 85MM PITCH-20GN2/1	922055
BASKET FOR DETERGENT TANK-WALL MOUNTED	922209
DOOR SHIELD 20 2/1 -PRE-HEAT W/O TROLLEY	922095
EXTERNAL SIDE SPRAY UNIT	922171
FRYING GRIDDLE GN 2/3 FOR OVENS	922284
HEAT SHIELD FOR 20 GN 2/1 OVENS	922242
KIT HACCP EKIS	922166
KIT INTEGRATED HACCP FOR OVENS	922275
NON-STICK U-PAN GN 1/1 H=20 MM	922090
NON-STICK U-PAN GN 1/1 H=40 MM	922091
NON-STICK U-PAN GN 1/1 H=65 MM	922092
NON-STICK U-PAN GN 2/3 H=20 MM	922285
OVEN GRILL (ALUMINIUM) GN 1/1	922093
PAIR OF 1/1GN AISI 304 S/S GRIDS	922017
PAIR OF 2/1 GN AISI 304 S/S GRIDS	922175
PASTRY TROLLEY 16(400X600)80MM-20 2/1 LW	922069
RESIN SANITIZER FOR WATER SOFTENER	921306
SOFTWARE+CABLE TO UPLOAD/DOWNLOAD PROGRM	922165
THERMAL COVER FOR 20 GN 2/1-LW	922049
TRAY(400X600X38)5 ROWS-PERF.ALUM/SILICON	922189
TROLLEY TRAY RACK F. 20X2/1GN,63MM PITCH	922044
TROLLEY TRAY RACK F. 20X2/1GN,80MM PITCH	922046
WATER FILTER FOR 20 2/1 OVENS 1.8 L/MIN.	922104

Electrolux air-o-steam - level A
Combi LW 20 GN 2/1-electric

267005



ECAA050

2009-09-21

LEGEND CWI - Cold water inlet D - Water drain DO - Overflow drain pipe EI - Electrical connection WIC - Cooling water inlet	AOS202EAA1 267005
	3/4"
	2"
	●
	400 V, 3N, 50/60
	3/4"

Subject to change without notice