



Lifecycle Exercise Bike

O P E R A T I O N M A N U A L

Life Fitness

CORPORATE HEADQUARTERS

10601 West Belmont Avenue
Franklin Park, Illinois 60131 • U.S.A.
847.288.3300 • FAX: 847.288.3703
800.735.3867 (Toll-free within U.S.A., Canada)

www.lifefitness.com

INTERNATIONAL OFFICES

LIFE FITNESS ASIA PACIFIC LTD

Room 2610, Miramar Tower
132 Nathan Road
Tsimshatsui, Kowloon
HONG KONG
Telephone: (+852) 2891.6677
FAX: (+852) 2575.6001

LIFE FITNESS ATLANTIC BV LIFE FITNESS BENELUX

Bijdorpplein 25-31
2992 LB Barendrecht
THE NETHERLANDS
Telephone: (+31) 180.646.666
FAX: (+31) 180.646.699
Telephone: (+32) 87.300.942
FAX: (+32) 87.300.943

LIFE FITNESS DO BRAZIL

Av. Dr. Dib Sauaia Neto 1478
Alphaville, Barueri, SP
06465-140
BRAZIL
Telephone (+55) 11.4193.8282
FAX: (+55) 11.4193.8283

LIFE FITNESS VERTRIEBS GMBH

Dückerstraße 7-9/3/36
1220 Vienna
AUSTRIA
Telephone: (+43) 1.61 57 198
FAX: (+43) 1.61 57 198.20

LIFE FITNESS IBERIA

Pol. Ind. Molí dels Frares. c/C, nº 12
08620 Sant Vicenç dels Horts (Barcelona)
SPAIN
Telephone: (+34) 93.672.4660
FAX: (+34) 93.672.4670

LIFE FITNESS EUROPE GMBH

Siemensstraße 3
85716 Unterschleißheim
GERMANY
Telephone: (+49) 89.31 77 51.0
FAX: (+49) 89.31 77 51.99

LIFE FITNESS ITALIA S.R.L.

Via Vittorio Veneto, 57/A
39042 Bressanone (Bolzano)
ITALY
Telephone: (+39) 0472.835 470
FAX: (+39) 0472.833 150

LIFE FITNESS LATIN AMERICA and CARIBBEAN

10601 West Belmont Avenue
Franklin Park, Illinois 60131
U.S.A.
Telephone: (+1) 847.288.3300
FAX: (+1) 847.288.3886

LIFE FITNESS UK LTD

Queen Adelaide
Ely, Cambs CB7 4UB
UNITED KINGDOM
Telephone: (+44) 1353.666017
FAX: (+44) 1353.666018

LIFE FITNESS JAPAN

Nippon Brunswick Bldg., #8F
5-27-7 Sendagaya
Shibuya-Ku, Tokyo
JAPAN 151-0051
Telephone: (+81) 3.3359.4309
FAX: (+81) 3.3359.4307

M051-00K20-A347

06/02

Before using this product, it is essential to read this ENTIRE operation manual and ALL installation instructions.

This will help in setting up the equipment quickly and in instructing others on how to use it correctly and safely.

Avant toute utilisation de ce produit, il est indispensable de lire ce manuel d'utilisation dans son INTÉGRALITÉ, ainsi que TOUTES les instructions d'installations.

Ce manuel explique comment installer l'équipement et comment l'utiliser correctement et sans danger.

FCC Warning - Possible Radio / Television Interference

NOTE: *This equipment has been tested and found to comply with the limits for a Class A digital device, pursuant to part 15 of the FCC rules. These limits are designed to provide reasonable protection against harmful interference when the equipment is operated in a commercial environment. This equipment generates, uses and can radiate radio frequency energy, and if not installed and used in accordance with the operation manual, may cause harmful interference to radio communications. Operation of this equipment in a residential area is likely to cause harmful interference in which case the user will be required to correct the interference at his own expense.*

Class S (Studio): Professional and / or commercial use.



CAUTION: Any changes or modifications to this equipment could void the product warranty.



MISE EN GARDE: Tout changement et toute modification de ce matériel peut annuler la garantie du produit.

Any service, other than cleaning or user maintenance, must be performed by an authorized service representative. There are no user-serviceable parts.

TABLE OF CONTENTS

| Section | Description | Page |
|---------|--|------|
| 1. | Getting Started | 5 |
| 1.1 | Important Safety Instructions | 5 |
| 1.2 | Set-up | 7 |
| | Where to Place the Lifecycle® Recumbent Exercise Bike // How to Stabilize the Lifecycle Recumbent Bike // How to Adjust the Seat // How to Adjust the Pedal Straps // Starting Up the Bike Console // Fitness and Entertainment Networking | |
| 2. | The Display Console | 10 |
| 2.1 | The Display Console Overview | 10 |
| 2.2 | Display Console Descriptions | 11 |
| 2.3 | The Accessory Tray | 13 |
| 3. | Heart Rate Zone Training Exercise | 14 |
| 3.1 | Why Heart Rate Zone Training Exercise? | 14 |
| 3.2 | Heart Rate Monitoring | 15 |
| | The Polar® Telemetry Heart Rate Monitoring Chest Strap | |
| 4. | The Workouts | 16 |
| 4.1 | Workout Overviews | 16 |
| 4.2 | Using the Workouts | 17 |
| | To Begin any Workout // Selecting and Using Quick Start // Selecting a Workout // Entering Age // Entering Time // Selecting and Adjusting the Intensity Level // Selecting a Workout Mode // Switching Workouts “On-the-Fly” // Pausing Workouts // Ending Workouts Early | |
| 4.3 | Workout Descriptions | 19 |
| | Quick Start // Fat Burn // Lifecycle Recumbent Exercise Bike Workout Setup Steps (chart) // Cardio // Hill // Random // Manual // Heart Rate Hill™ Workout // Heart Rate Interval™ Workout // Extreme Heart Rate™ Workout // Watts // METs // Aerobics Trainer // Six Pre-Set Workouts | |
| 5. | Optional Settings | 26 |
| 5.1 | Entering and Using the Optional Settings Feature | 26 |
| 6. | Service and Technical Data | 27 |
| 6.1 | Preventative Maintenance Tips | 27 |
| 6.2 | Preventative Maintenance Schedule | 28 |
| 6.3 | Troubleshooting the Polar Heart Rate Chest Strap | 28 |
| 6.3 | Heart Rate Reading is Erratic or Absent Entirely // Heart Rate Reading is Erratic or Extremely High | |
| 6.4 | Recycling the Battery | 29 |
| 6.5 | How to Obtain Product Service | 29 |
| 7. | Specifications | 30 |
| 7.1 | 9100 Lifecycle Bike Specifications | 30 |
| 7.2 | 8500 Lifecycle Bike Specifications | 31 |

© 2002 Life Fitness®, a division of Brunswick Corporation. All rights reserved. Life Fitness, Lifecycle, and Zone Training are registered trademarks of Brunswick Corporation. Zone Training+, Heart Rate Hill, Heart Rate Interval, and Extreme Heart Rate are trademarks of Brunswick Corporation. Polar is a registered trademark of Polar Electro, Inc. Cardio Theater is a registered trademark of the Cardio Theater Holdings. FitLinxx is a registered trademark of the Integrated Fitness Corp. Any use of these trademarks, without the express written consent of Life Fitness or the corresponding companies is forbidden.

This Operation Manual describes the functions of the following products:

Life Fitness Lifecycle® recumbent exercise bike:

9100R

8500R

See Section 7, titled *Specifications* in this manual for product-specific features.

Statement of Purpose: The Life Fitness Lifecycle recumbent exercise bike is a machine that simulates the movements of riding a bicycle at various speeds and levels of resistance.



Health-related injuries may result from incorrect or excessive use of exercise equipment. Life Fitness **STRONGLY** recommends seeing a physician for a complete medical exam before undertaking an exercise program, particularly if the user has a family history of high blood pressure or heart disease; or is over the age of 45; or smokes, has high cholesterol, is obese, or has not exercised regularly in the past year. Life Fitness also recommends consulting a fitness professional on the correct use of this product.

If, at any time while exercising, the user experiences faintness, dizziness, pain, or shortness of breath, he or she must stop immediately.



Des problèmes de santé peuvent être causés par une utilisation incorrecte ou excessive de l'équipement. Life Fitness conseille **VIVEMENT** de consulter un médecin pour subir un examen médical complet avant de commencer tout programme d'exercice, et tout particulièrement si l'utilisateur a des antécédents familiaux d'hypertension ou de troubles cardiaques, ou s'il a plus de 45 ans, s'il fume, s'il a du cholestérol, s'il est obèse ou n'a pas fait d'exercice régulièrement depuis un an. Life Fitness recommande également de consulter un professionnel du conditionnement physique pour savoir comment utiliser correctement ce produit.

Si, pendant l'utilisation de l'appareil, l'utilisateur ressent un malaise, des vertiges, des douleurs ou des difficultés à respirer, il doit s'arrêter immédiatement.

1 GETTING STARTED

1.1 IMPORTANT SAFETY INSTRUCTIONS



SAFETY WARNING: The safety of the product can be maintained only if it is examined regularly for damage and wear. See Preventative Maintenance section for details.

- Use the Life Fitness Lifecycle exercise bike only as directed in this manual.
- If a Lifecycle exercise bike does not function properly after it has been dropped, damaged, or even partially immersed in water, contact Life Fitness Customer Support Services for assistance.
- Do not allow other people to interfere in any way with the user or equipment during a workout.
- Always follow the console instructions for proper operation.
- Supervise closely any children or disabled persons using the Lifecycle exercise bike.
- Do not use the Lifecycle exercise bike outdoors, near swimming pools, or in areas of high humidity.
- Never insert objects into any opening of the Lifecycle exercise bike. If an object should drop inside, carefully retrieve it while the unit is not in use. If the object cannot be reached, contact Life Fitness Customer Support Services.
- Never place containers filled with liquids directly on the unit, except in the accessory tray water bottle holder. Containers should be covered with lids.
- Wear shoes with rubber or high-traction soles. Do not use shoes with heels, leather soles, cleats, or spikes. Make sure no stones are embedded in the soles.
- Do not use the Lifecycle exercise bike with bare feet.
- Keep all loose clothing, shoelaces, and towels away from moving parts.
- Do not reach into, or underneath, the unit; and do not tip the unit on its side during operation.
- Keep the area around the Lifecycle exercise bike clear of any obstructions, including walls and furniture. Provide at least three feet of clearance behind the unit.
- Use caution when stepping on or off of the Lifecycle exercise bike.
- Never face backward while using the Lifecycle exercise bike.
- An American Society for Testing and Materials (ASTM) safety sign has been shipped with the Lifecycle exercise bike. Post the sign in a visible area near the unit.

SAVE THESE INSTRUCTIONS FOR FUTURE REFERENCE.

1 POINT DE DÉPART

1.1 CONSIGNES DE SÉCURITÉ IMPORTANTES



CONSIGNE DE SÉCURITÉ : pour un emploi sûr, le produit doit être inspecté régulièrement afin de s'assurer qu'il n'est pas usé ni endommagé. Consultez la section de Maintenance préventive pour obtenir de plus amples informations.

- Ne faites jamais fonctionner d'appareil Life Fitness dont le cordon d'alimentation ou la fiche seraient abîmés, qui aurait fait une chute ou qui aurait été endommagé ou partiellement plongé dans l'eau. Contactez le service après-vente de Life Fitness.
- Pour un fonctionnement correct, suivez toujours les instructions de la console.
- Une surveillance étroite est nécessaire en cas d'utilisation par des enfants, des personnes invalides ou handicapées.
- N'utilisez pas ce produit à l'extérieur, près d'une piscine ou dans endroits très humides.
- Ne faites jamais fonctionner de produit Life Fitness dont les bouches d'aération seraient bloquées. Maintenez-les exemptes de peluches, de cheveux ou de toute obstruction.
- N'insérez jamais d'objet dans les ouvertures de cet appareil. Si un objet tombe dedans, coupez l'alimentation électrique, débranchez le cordon de la prise et récupérez-le avec précaution. Si vous ne pouvez pas l'atteindre, consultez le service après-vente de Life Fitness.
- Ne placez jamais de liquides d'aucune sorte directement sur l'appareil, sauf si vous disposez d'un support ou d'un plateau pour accessoires. Il est recommandé d'utiliser des conteneurs munis d'un couvercle.
- Portez des chaussures avec semelles en caoutchouc ou antidérapantes. N'utilisez pas de chaussures à talons, de semelles en cuir ou à crampons. Assurez-vous qu'aucun caillou ne s'est incrusté dans les semelles.
- Maintenez les vêtements lâches, les lacets et les serviettes à l'écart des pièces en mouvement.
- N'utilisez pas cet appareil sans chaussures.
- Ne faites pas basculer l'appareil sur le côté tandis qu'il fonctionne.
- Maintenez la zone autour du produit Life Fitness exempte d'obstructions, y compris de murs et de meubles. Veillez à laisser au moins 30 cm d'espace autour du Lifecycle exercise bike.
- Procédez avec précaution lors du montage ou du démontage de la machine. Utilisez la barre fixe pour renforcer votre stabilité. Pendant les exercices, saisissez les bras mobiles.
- N'utilisez jamais cet appareil en vous tournant vers l'arrière.

CONSERVEZ CES INSTRUCTIONS POUR USAGE ULTÉRIEUR.

1.2 SETUP

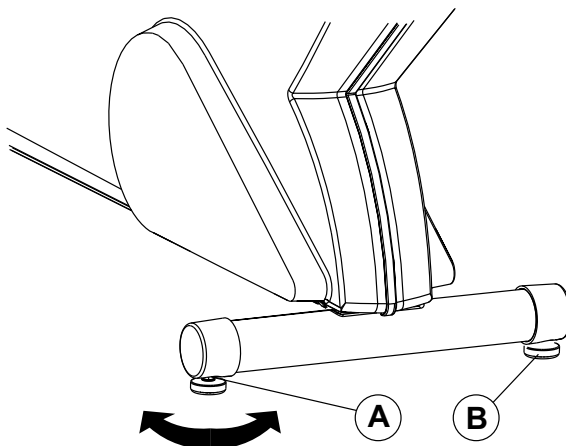
Read the entire Operation Manual before setting up the Lifecycle recumbent bike.

WHERE TO PLACE THE LIFECYCLE® RECUMBENT EXERCISE BIKE

Following all safety instructions in Section 1.1, move the bike to the location in which it will be used. See Section 7, titled *Specifications*, for the dimensions of the footprint. Allow a distance of 8 to 12 inches, or 21 to 30 centimeters, between the bike and other objects or surfaces on either side. Allow a distance of 3 feet, or 1 meter, from the front or rear of the bike to any other object or surface.

HOW TO STABILIZE THE LIFECYCLE RECUMBENT BIKE

After placing the bike in position, check the unit's stability by attempting to rock it from side to side. Any slight rocking indicates that the unit must be leveled. Determine which foot is not resting completely on the floor. Loosen the jam nut (A) with an open-end 9/16-inch wrench, and rotate the stabilizing foot (B) to lower it. Verify that the bike is stable, and repeat the adjustment as necessary until the unit no longer rocks. Lock the adjustment by tightening the jam nut against the stabilizer bar.

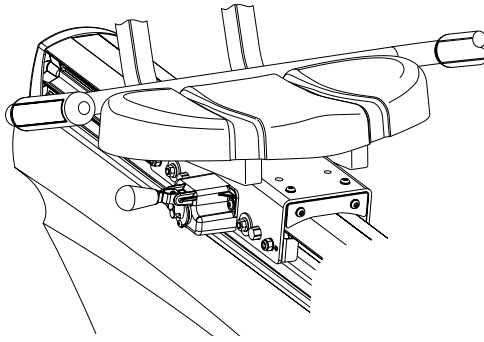


HOW TO ADJUST THE SEAT

It is important to adjust the seat to an optimal height for pedaling on the Lifecycle recumbent bike. A properly adjusted seat is extremely important in any bike-oriented exercise activity and the Lifecycle recumbent bike is no exception. If the seat is too close, excessive strain will be placed on the knees and quadriceps muscles; if the seat is too far, the resulting reaching action will irritate the feet, ankles, hips and knees.

Sit on the seat and place the balls of the feet on the pedals. An optimum position will allow movement through the bottom of the stroke without locking the knees or shifting in the seat. The knees should have a slight bend at the point of fullest leg extension.

If the seat needs to be adjusted, lift the spring-loaded adjusting handle located on the right, front side of the seat. Slide the seat forward or backward as necessary to the proper position and release the pin to complete engagement. Gently slide the seat forward and backward a small distance to ensure it is locked into place. Check the seat distance again and re-adjust it if necessary.



CAUTION: Do not attempt to adjust the seat while pedaling the bike. Doing so, or failing to insert the seat pin completely may result in an uncomfortable workout or cause injury.

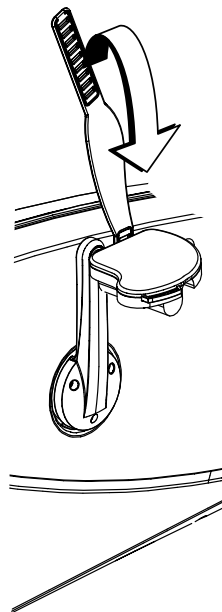


MISE EN GARDE : Ne pas essayer d'ajuster la selle pendant le pédalage. Tout ajustage en cours de fonctionnement ou toute insertion incomplète de la goupille de la selle pourrait nuire à l'exercice ou entraîner des blessures.

HOW TO ADJUST THE PEDAL STRAPS

The bike pedal straps keep the user's shoes on the pedals during a workout. The straps should fit comfortably, but they also should be tight enough to prevent shoes from slipping at any point in the pedaling rotation. Before working out, a user should test and adjust the tightness of the straps.

On the 9100: The safety straps on the foot pedals of the Lifecycle recumbent bike can be adjusted to fit a variety of shoe sizes. The straps are held in place by two knobs that extend from either side of each pedal. The "inner" knob extends sideways, that is, toward the bike. The "outer" knob extends downward. The ends of each strap are perforated with slots that fit tightly over the knobs. The "inner" end of each strap is perforated with two slots, and the "outer" segment of the strap is perforated with a row of slots. To tighten or loosen a strap, grasp the outer end, and pull it back, away from the knob, until the strap slides off. Pull the strap out through the outer loop on the pedal. Rest the foot on the pedal, and wrap the strap over the foot to determine the proper length. Thread the strap through the outer loop on the pedal, tuck it under the pedal, select the appropriate slot, and pull that slot down over the knob, until the top of the knob pops through the slot. A click indicates that the strap is locked into place.



On the 8500: The pedals on the Lifecycle recumbent bike have footstraps with slits on both the inside and the outside of each strap. The straps are held in place by two knobs that extend sideways from either side of each pedal. To tighten or loosen a strap, grasp the outer end, and pull it back, away from the knob, until the strap slides off. Rest the foot on the pedal, and wrap the strap over the foot to determine the proper length. Select the appropriate slot on the strap, and pull that slot down over the knob, until the top of the knob pops through the slot. A click indicates that the strap is locked into place.

STARTING UP THE BIKE CONSOLE

9100 model: When a user begins pedaling at a predefined rate on the Lifecycle recumbent bike, the unit's Auto-Start feature powers up the console, causing the console display to light up and the MESSAGE CENTER to flash a prompt: "SELECT WORKOUT USING ARROW KEYS OR PRESS QUICK START." If the user does not make a selection in 20 seconds, the console automatically starts a **MANUAL** workout. For information on setting up a workout, see Section 4.2, titled *Using the Workouts*. If the user stops pedaling, the console shuts down.

8500 model: When a user begins pedaling at a predefined rate on the Lifecycle recumbent bike and presses the START key, the console display lights up, and the MESSAGE CENTER flashes a prompt: "SELECT WORKOUT USING THE ARROW KEYS OR PRESS QUICK START." If the user does not make a selection in 20 seconds, the console automatically starts a **MANUAL** workout. For information on setting up a workout, see Section 4.2, titled *Using the Workouts*. If the user stops pedaling, the console shuts down.

FITNESS AND ENTERTAINMENT NETWORKING

This feature is an option on the on the 9100 model. Two interchangeable network ports allow the Lifecycle recumbent bike to be connected to a fitness entertainment system and/or a fitness network, such as the FitLinxx® interactive fitness network.

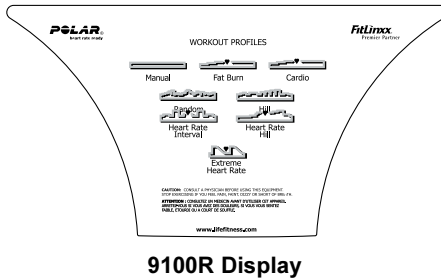
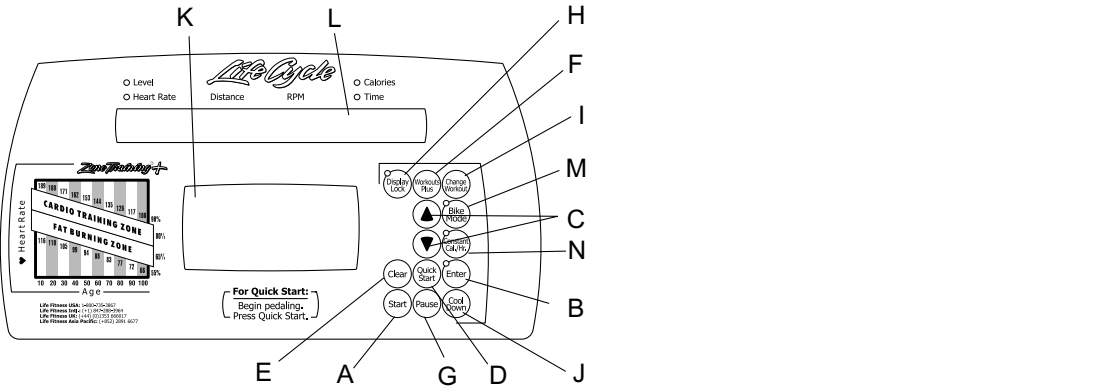
- **Fitness network:** The network connection enables the bike console to upload user workout statistics to a fitness network database or to download remotely stored information, such a pre-set workout program. See Section 4.2, titled *Using the Workouts*, for information on logging onto a network. To order the kit, call Life Fitness Customer Support Services. See Section 6.4, titled *How to Obtain Product Service*.
- **Entertainment:** The network connection enables the bike console to power a third-party receiver for use with a service such as the Cardio Theater® entertainment system or BroadcastVision™ entertainment system. It is necessary to purchase and install a retrofit kit to enable this feature. To order the kit, call Life Fitness Customer Support Services. See Section 6.4, titled *How to Obtain Product Service*.

Any use of these ports for other than their intended purpose could void the product warranty.

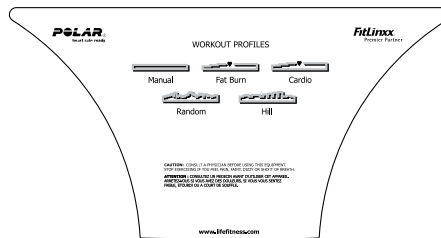
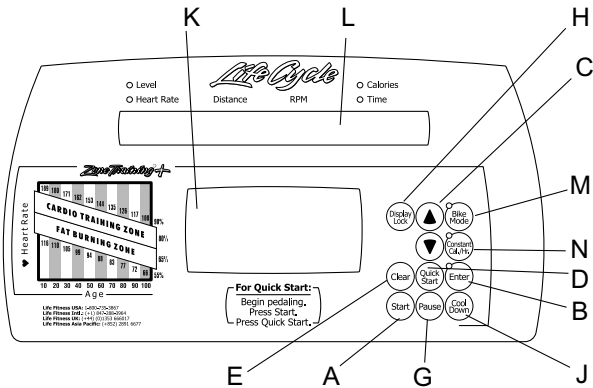
2 THE DISPLAY CONSOLE

2.1 DISPLAY CONSOLE OVERVIEW

The computerized display console on the Lifecycle recumbent bike allows the user to tailor a workout to personal fitness abilities and goals and to monitor progress. With this easy-to-use console, the user can track fitness improvement from one workout to the next.



9100R Display



8500R Display

2.2 DISPLAY CONSOLE DESCRIPTIONS

This section lists and describes the functions for the keys and display windows on the Lifecycle recumbent bike console. See Section 4, titled *The Workouts*, for detailed information on using the console to set up workouts.

- A** **START:** Press this key while pedaling to activate the console for programming a new workout. The activated console lights up and displays “SELECT WORKOUT USING ARROW KEYS OR PRESS QUICK START”.
- NOTE:** *The AutoStart feature on the 9100 activates the console when the user begins pedaling at a predefined rate. See the topic titled Starting Up the Bike Console in Section 1.*
- B** **ENTER:** Press this key after entering each value, such as weight or workout time, when prompted by console display messages.
- C** **ARROW keys:** Use these keys, when setting up a workout, to select a workout and to change workout parameters displayed on the console, such as length of workout, weight, age, target heart rate, and intensity level. During a workout, press, these keys to change intensity levels.
- D** **QUICK START:** Press this key to begin a manual workout immediately, without having to select a workout program. Once the workout is in progress, use the ARROW keys to change the intensity level or workout duration as desired.
- E** **CLEAR:** Press this key, when programming a workout, to clear incorrect data, such as weight or age, before pressing the ENTER key. Pressing CLEAR during a workout stops it immediately, at which point, the MESSAGE CENTER displays a summary of the workout, including total time elapsed, total distance traveled, and total calories burned. Pressing CLEAR a second time causes the MESSAGE CENTER to prompt the user for a new workout setup.
- F** **WORKOUTS PLUS (9100 only):** Press this key during the workout setup to select **WATTS**, **METS**, **AEROBICS TRAINER**, or one of the six pre-configured hill workouts, such as **KILIMANJARO**.
- G** **PAUSE:** Press this key to pause the current workout. Continue the workout by pressing the PAUSE key again. For more information, see the topic titled *Pausing a Workout* in Section 4.2, titled *Using the Workouts*.
- H** **DISPLAY LOCK :** During a workout, one section of the MESSAGE CENTER alternately displays the number of CALORIES burned and the amount of TIME elapsed. Pressing the DISPLAY LOCK key when the MESSAGE CENTER displays one of the alternate statistics, forces the MESSAGE CENTER to display that statistic continuously throughout the workout. Pressing DISPLAY LOCK again allows the MESSAGE CENTER to resume toggling between both statistics in each pair.
- I** **CHANGE WORKOUT (9100 only):** Press this key to switch to another workout program while a workout is in progress.
- J** **COOL DOWN:** Workout programs end automatically in a Cool Down mode, which lowers the intensity level. In this phase of a workout the body begins to remove lactic acid and other accumulated by-products of exercise, which build up in muscles during a workout and contribute to muscle soreness. Press the COOL DOWN key at any desired point during a workout to go immediately into Cool Down mode. The console automatically adjusts each workout’s Cool Down level according to the individual user’s performance.

K **WORKOUT PROFILE WINDOW:** This window displays shapes, made of columns of lights, that represent the levels of intensity in a workout-in-progress. The height of the column furthest to the left is proportional to the current level of the intensity.

During a **FAT BURN**, **CARDIO HEART RATE HILL**, **HEART RATE INTERVAL**, or **EXTREME HEART RATE** workout, which requires the use of a Polar heart rate chest strap, the **WORKOUT PROFILE** window displays a heart shape to request the user's heart rate signal. If the console does not detect a signal, the **MESSAGE CENTER** displays the prompt, "NEED HEART RATE - USE TELEMETRY STRAP". If the console does not receive the signal within three minutes, the workout automatically is converted to a **MANUAL** program.

L **MESSAGE CENTER:** This window displays step-by-step instructions for setting up a workout. During a workout, it displays statistics about the progress of the workout:

- **Level:** the selected intensity level; alternates with **Heart Rate**.
- **Heart Rate:** the detected heart rate if the user is wearing the Polar heart rate chest strap; alternates with **Level**.
- **Distance:** the total distance traveled.
- **RPM (Revolutions Per Minute):** the pedaling speed or rate.
- **Calories:** the number of calories burned since beginning the workout; alternates with **Time**.
- **Time:** the number of time elapsed since beginning the workout; alternates with **Calories**.

If programmed to do so, the **MESSAGE CENTER** displays other values each time the intensity level changes during the workout:

- **Calories per Hour:** the rate of calories burned per hour.

OR

- **Watts:** effort level in Watts. The Watt is a unit of power output or the expression of the mechanical rate of work.
- **METs:** effort level in METs. The MET is an expression of the rate of work for the human body at rest, or a metabolic equivalent; one MET is approximately equal to the metabolism of a person at rest.

See Chapter 5, titled *Optional Settings* for information about enabling the **MESSAGE CENTER** to display these additional settings.

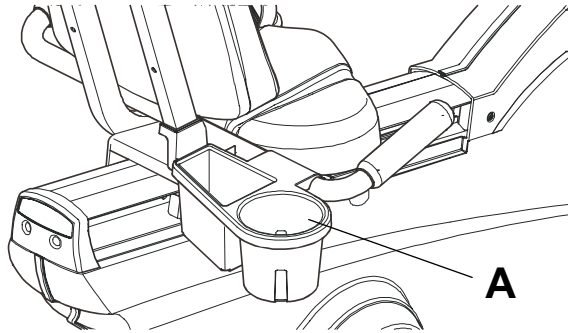
M **BIKE MODE:** Press this key to activate the Bike workout mode in which the rate of calories burned and the total distance travelled increase automatically as the user increases the pedaling speed.

N **CONSTANT CAL./HOUR:** Press this key to activate this alternate workout mode, which enables a user to maintain a consistent rate of calories burned per hour.

For more information about Bike Mode and Constant Calories Per Hour Mode, see the topic *Selecting a Workout Mode* in Section 4.2, titled, the *Using the Workouts*.

2.3 THE ACCESSORY TRAY (9100 STANDARD, 8500 OPTION)

The accessory tray (A), which is mounted on the right handlebar the Lifecycle recumbent bike, provides storage space for items such as water bottles, personal stereos, and cell phones. .



3

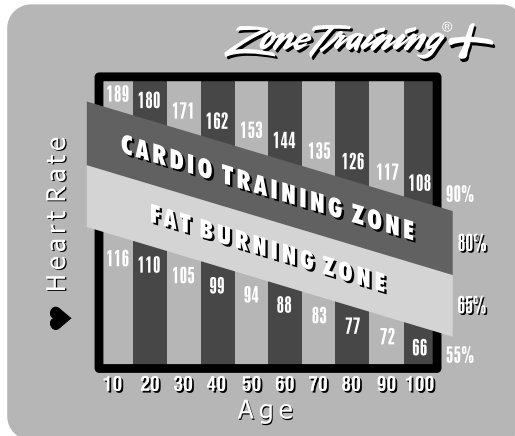
HEART RATE ZONE TRAINING EXERCISE

3.1 WHY HEART RATE ZONE TRAINING EXERCISE?

Research shows that maintaining a specific heart rate while exercising is the optimal way to monitor the intensity of a workout and to achieve maximum results. That is the idea behind the Life Fitness heart rate zone training approach to exercise.

Zone training identifies an exerciser's ideal heart rate range, or zone, for burning fat or increasing cardiovascular fitness. The values within the zone depend on the workout.

NOTE: Consulting a fitness trainer is recommended for defining specific fitness goals and designing a workout program.



The Lifecycle recumbent bike features exclusive workouts designed to take full advantage of the benefits of heart rate zone training exercise: **FAT BURN**, **CARDIO**, **HEART RATE HILL** (9100 only), **HEART RATE INTERVAL** (9100 only), **EXTREME HEART RATE** (9100 only). Each workout offers different benefits, as discussed in Section 4, titled *The Workouts*.

During one of these workouts, wear the optional Polar heart rate chest strap to enable the bike's on-board computer to monitor the heart rate. The computer automatically adjusts the resistance level to maintain the target heart rate* based on the actual heart rate. To change the target heart rate during a workout, use the ARROW keys.

* Target Heart Rate (THR) is a percentage of the theoretical maximum. For example, a 40-year-old user's THR for the **CARDIO** workout is 144. This workout targets 80 percent of the maximum, so the equation would be $(220-40) \cdot 80 = 144$.

3.2 HEART RATE MONITORING

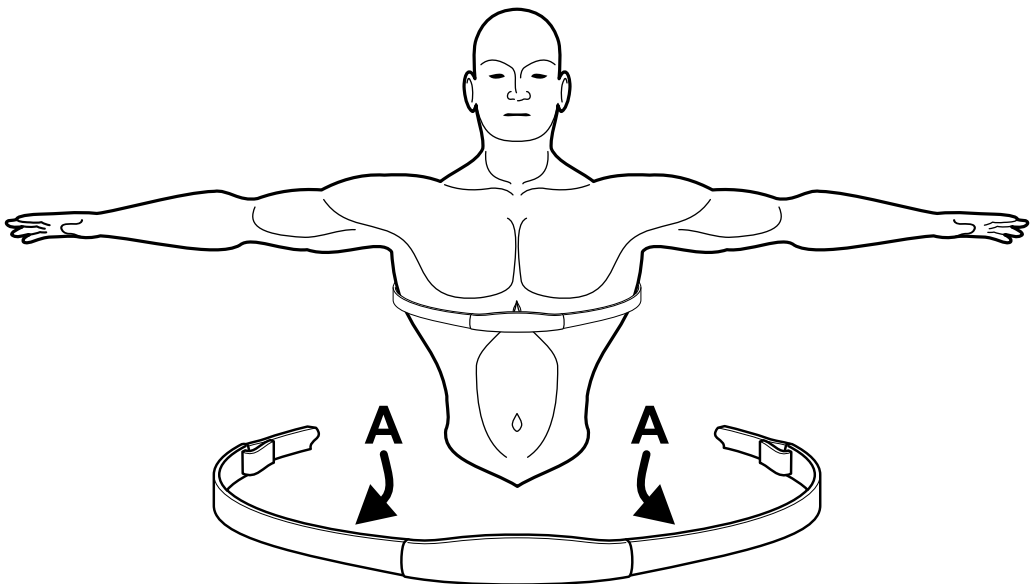
THE POLAR® TELEMETRY HEART RATE MONITORING CHEST STRAP

The Lifecycle recumbent bike is equipped with Polar telemetry (optional on the 8500 in the United States), a heart rate monitoring system in which electrodes, pressed against the skin, transfer heart rate signals to the bike console. These electrodes are attached to a chest strap that the user wears during the workout. The chest strap is optional. To order it, call Life Fitness Customer Support Services. See Section 6.4, titled *How to Obtain Product Service*.

See the diagram below for correct positioning of the strap. The electrodes (A), which are the two grooved surfaces on the underside of the strap, must remain wet to transmit accurately the electrical impulses of the heart back to the receiver. Moisten the electrodes. Then, secure the strap as high under the chest muscles as possible. The strap should be snug, but comfortable enough to allow for normal breathing.

The transmitter strap delivers an optimal heart rate reading when the electrodes are in direct contact with skin. However, it also functions properly through a thin layer of wet clothing.

If it becomes necessary to re-moisten the chest strap electrodes, grasp the center of the strap, pull it away from the chest to expose the two electrodes, and moisten them.



4 THE WORKOUTS

4.1 WORKOUT OVERVIEWS

This section lists the Lifecycle recumbent bike's pre-programmed workouts. For more detailed information, see Section 4.2, titled *Using the Workouts*. The following workouts are accessed with the ARROW keys.

QUICK START is the fastest way to begin exercising, and it bypasses the steps involved in selecting a specific workout program. After the QUICK START key is pressed, a constant-level workout begins. The intensity level does not change automatically.

HILL is an interval-training workout combining "hills" and "valleys" of different intensity levels, which is proven to provide effective, time-efficient cardiovascular results.

FAT BURN is a low-intensity workout for burning the body's fat reserves. The user must wear a Polar heart rate chest strap. The workout program automatically adjusts the intensity level, based on the actual heart rate, to maintain the rate at 65 percent of the theoretical maximum†.

CARDIO is a higher intensity workout for more fit users, emphasizing cardiovascular benefits and maximum fat burning. The user must wear a Polar heart rate chest strap. The workout program automatically adjusts the intensity level, based on the actual heart rate, to maintain the rate at 80 percent of the theoretical maximum.

RANDOM is an interval training workout of constantly changing intensity levels that occur in no regular pattern or progression.

MANUAL is a workout in which the intensity level does not change automatically.


HEART RATE HILL (9100 only) consists of three hills that target three heart rate goals: The first hill brings the heart rate to 90 percent of the target rate*. The second hill increases the rate to 95 percent. The third hill matches the target heart rate. The valley always is defined as 85 percent of the target. The user must wear a Polar heart rate chest strap.

HEART RATE INTERVAL (9100 only) alternates between a hill, which brings the heart rate up to the target rate, and a valley, which brings the heart rate down to 90 percent of the target. The user must wear a Polar heart rate chest strap.

EXTREME HEART RATE (9100 only) alternates between two target heart rate goals as quickly as possible. The effect is similar to that of running sprints. The user must wear a Polar heart rate chest strap.

† Defined by the American College of Sports Medicine's "Guidelines for Exercise Testing and Prescription" as equal to 220 minus an individual's age.

* Target Heart Rate (THR) is a percentage of the theoretical maximum. For example, a 40-year-old user's THR for the **CARDIO** workout is 144. This workout targets 80 percent of the maximum, so the equation would be $(220-40) \times .80 = 144$.

On the 9100 model, the following nine workouts are accessed by pressing the **WORKOUTS PLUS** key :

AROUND THE WORLD is an interval-training workout in which the hills resemble scenes of various geographical areas.

FOOT HILLS is a rolling hill workout with low intensity levels.

KILIMANJARO is a Hill workout in which the intensity levels gradually incline toward one ultimate peak and then gradually decline.

INTERVAL is a Hill workout in which intensity levels rise and fall. The higher levels gradually incline toward a peak and then gradually decline.

CASCADES is a two-peak workout in which intensity levels gradually increase and decrease.

SPEED TRAINING is a Hill workout in which the intensity level alternates between high and low levels very quickly to simulate a typical speed-training workout.

WATTS targets a rate of effort equal to a certain number of Watts. By default, this workout is turned off. For information on making it available, see Section 5, titled *Internal Settings*.

METs targets a rate of effort equal to a certain number of METs. By default, this workout is turned off. For information on making it available, see Section 5, titled *Internal Settings*.

AEROBICS TRAINER is a workout in which the MESSAGE CENTER prompts the user to switch continuously between a high pedaling speed and a low pedaling speed. The speed intervals alternate in a pattern that promotes a build-up in the intensity of the workout, followed by a build-down in intensity.

4.2 USING THE WORKOUTS

Different bike workouts require different setup steps. See the chart, titled *Lifecycle Recumbent Exercise Bike Workout Setup Steps* for a quick glance at the steps for setting up any workout program. This section provides details on the steps themselves.

TO BEGIN ANY WORKOUT

Without networking, simply start pedaling to activate the console (9100 only) or, start pedaling and press **START** to activate the console. The MESSAGE CENTER displays the prompt: "SELECT WORKOUT USING ARROW KEYS OR PRESS QUICK START". If it displays a different message, press the **CLEAR** key twice rapidly. The networking feature is available only on the 9100 model.

With optional networking enabled (applies to 9100 only), start pedaling, and press **START** or simply start pedaling to activate the console. The MESSAGE CENTER displays the prompt: "SELECT WORKOUT USING ARROW KEYS OR ENTER ID USING ENTER KEY". Select a workout, or log on to the networked exercise database, download the preset workout. The networking feature is available only on the 9100 model.

To log onto the network, press **ENTER**, and then enter the user ID number with the **ARROW** keys.

SELECTING AND USING QUICK START

QUICK START is the fastest way to begin exercising, and it bypasses the steps of selecting a specific workout program. At the MESSAGE CENTER prompt to select a workout, press the QUICK START key. The workout begins at an intensity level that remains the same unless manually changed.

SELECTING A WORKOUT

For **MANUAL**, **RANDOM**, **FAT BURN**, **HILL**, **CARDIO**, **HEART RATE HILL** (9100 only), **HEART RATE INTERVAL** (9100 only), and **EXTREME HEART RATE** (9100 only): When prompted to select a workout, use the ARROW keys to scroll through the workout program names as they appear in the MESSAGE CENTER. When the desired program appears, press ENTER.

For **WATTS**, **METS**, **AEROBICS TRAINER**, **KILIMANJARO**, **CASCADES**, **INTERVAL**, **SPEED TRAINING**, **AROUND THE WORLD**, and **FOOTHILLS**: These workouts are available on the 9100 model only. When prompted by the MESSAGE CENTER to select a workout, press the WORKOUTS PLUS key. The MESSAGE CENTER then displays the name of one of these. Press ENTER to select the displayed workout; or continue to press the WORKOUTS PLUS key to display each of the other options, and then press ENTER to select the desired workout.

ENTERING AGE

When prompted by the MESSAGE CENTER to enter age, use the ARROW KEYS to increase or decrease the displayed age to the correct value, and press ENTER. Lifecycle recumbent bike workout programs that set a target heart rate zone first calculate the user's theoretical maximum heart rate[†] by subtracting the user's age from the number 220. The programs then calculate the target zone as a percentage of the theoretical maximum.

ENTERING TIME

When prompted by the MESSAGE CENTER to enter a time, use the ARROW KEYS to increase or decrease the displayed time to the desired value, and press ENTER.

SELECTING AND ADJUSTING THE INTENSITY LEVEL

When prompted by the MESSAGE CENTER, use the ARROW keys to increase or decrease the displayed intensity level or target heart rate* to the desired value, and press ENTER. Adjust the level as needed or desired during the workout.

- Intensity level: The Lifecycle recumbent bike provides a selection of 20 intensity levels. The intensity level appears in the WORKOUT PROFILE window as rows of lights arranged in columns. Selecting a low intensity level at first is recommended. As physical conditioning improves, the levels can increase.
- Target heart rate: Exercise bike programs that calculate a target heart rate base this number on the age of the user and the type of workout. The user accepts or adjusts the rate when setting up the workout. During the workout itself, the program reads the heart rate, which is transmitted via the Polar heart rate chest strap; and it uses this data to adjust the resistance. Manually raising the rate increases the intensity of the cardiovascular exercise.

[†] Defined by the American College of Sports Medicine's "Guidelines for Exercise Testing and Prescription" as equal to 220 minus an individual's age.

* Target Heart Rate (THR) is a percentage of the theoretical maximum. For example, a 40-year-old user's THR for the **CARDIO** workout is 144. This workout targets 80 percent of the maximum, so the equation would be $(220-40) \times .80 = 144$.

SELECTING A WORKOUT MODE

Two workout mode options on the Lifecycle recumbent bike feature alternate ways to vary workouts.

- **Bike Mode:** This workout mode simulates the experience of riding a real bicycle. The rate of calories burned, and total distance travelled increase automatically as the user increases the pedaling speed. This mode can be used with all workouts, except for **FAT BURN, CARDIO, HEART RATE HILL, HEART RATE INTERVAL,** and **EXTREME HEART RATE.** To select Bike mode, press BIKE MODE key.
- **Constant-Calories-Per-Hour Mode:** This workout mode enables a user to maintain a consistent rate of calories burned per hour. As the pedaling speed increases, the resistance level automatically decreases. As the pedaling speed decreases, the resistance level automatically increases. This mode can be used with all workouts. To select it, press the CONSTANT CAL./HR. key.

If the user selects a **FAT BURN, CARDIO, HEART RATE HILL, HEART RATE INTERVAL,** or **EXTREME HEART RATE** during the setup, the default mode is Constant-Calories-Per-Hour. For all other workouts, the default mode is Bike. The user may select or change a mode during a workout setup or during a workout.

SWITCHING WORKOUTS “ON-THE-FLY” (9100 ONLY)

It is possible, during a workout, to switch to another workout program. After a switch, the console retains all the progress information about the workout since its beginning. To change workouts “on the fly,” press the CHANGE WORKOUTS key repeatedly until the desired alternate workout appears in the MESSAGE CENTER. Then press ENTER

PAUSING WORKOUTS

To pause a workout, press the PAUSE key, which brings the resistance level down to zero. To continue a paused workout, press the PAUSE key again. Note that the user must continue pedaling during a pause in order to retain the current workout information. If the user stops pedaling, the workout automatically ends, and the information is lost.

ENDING WORKOUTS EARLY

To end a workout before the pre-set duration expires, press CLEAR once. The MESSAGE CENTER then displays a workout summary, which includes the distance travelled, the total calories burned, and other statistics. Press CLEAR a second time, and the MESSAGE CENTER displays “SELECT WORKOUT USING ARROW KEYS OR PRESS QUICK START” for a new workout.

4.3 WORKOUT DESCRIPTIONS

QUICK START

QUICK START is the fastest way to begin exercising, and it bypasses the steps of selecting a specific workout program. The intensity level for the workout is set automatically and remains the same unless manually changed. To change the level, press the UP or DOWN ARROW keys to enter a higher or lower level number. If the METS display is enabled, the MESSAGE CENTER displays ENTER WEIGHT, which is required to calculate this value. Using the ARROW KEYS, increase or decrease the displayed weight to the correct value.

FAT BURN

The **FAT BURN** workout is designed to maintain a user's heart rate at 65 percent of the theoretical maximum† for optimal results. If the user does not wear a Polar heart rate chest strap during the workout, the **WORKOUT PROFILE** window displays a heart shape. The console continuously monitors and displays the heart rate, adjusting the intensity level of the Lifecycle recumbent bike to reach and maintain the target*. This system eliminates over-and under-training, and it maximizes the aerobic benefits of exercise by using the body's fat stores for fuel.

† Defined by the American College of Sports Medicine's "Guidelines for Exercise Testing and Prescription" as equal to 220 minus an individual's age.

* Target Heart Rate (THR) is a percentage of the theoretical maximum. For example, a 40-year-old user's THR for the **FAT BURN** workout is 117. This workout targets 65 percent of the maximum, so the equation would be $(220-40) \cdot 65 = 117$.

LIFECYCLE RECUMBENT EXERCISE BIKE WORKOUT SETUP STEPS

QUICK START

Press **QUICK START**
Begin workout

RANDOM

Select **RANDOM**
Enter time
Select level
Begin workout

MANUAL

Select **MANUAL**
Enter time
Select level
Begin workout

HILL

Select **HILL**
Enter time
Select level
Begin workout

FAT BURN*

Select **FAT BURN**
Enter time
Enter age
Accept **THR****
Begin workout

CARDIO*

Select **CARDIO**
Enter time
Enter age
Accept **THR**
Begin workout

HEART RATE HILL

(9100 only)*
Select **HR HILL**
Enter time
Enter age
Accept **THR**
Begin workout

HEART RATE INTERVAL

(9100 only)*
Select **HR INTERVAL**
appears
Enter time
Enter age
Accept **THR**
Begin workout

EXTREME HEART

RATE (9100 only)*
Select **EXTREME HR**
Enter time
Enter age
Accept **TH**
Begin workout

WATTS (9100 only)

Press **WORKOUTS**
PLUS repeatedly until
WATTS appears;
press **ENTER**

Enter time
Enter **Watts** goal value
Begin workout

METS (9100 only)

Press **WORKOUTS**
PLUS repeatedly until
METS appears; press
ENTER
Enter time
Enter **METS** goal value
Begin workout

AROUND THE

WORLD (9100 only)
Press **WORKOUTS**
PLUS repeatedly until
AROUND THE
WORLD Appears;
press **ENTER**
Enter time
Select level
Begin workout

KILIMANJARO

(9100 only)
Press **WORKOUTS**
PLUS repeatedly until
KILIMANJARO
appears; press
ENTER
Enter time
Select level
Begin workout

INTERVAL (9100 only)

Press **WORKOUTS**
PLUS repeatedly until
INTERVAL appears;
press **ENTER**
Enter time
Select level
Begin workout

CASCADES (9100 only)

Press **WORKOUTS**
PLUS repeatedly until
CASCADES appears;
press **ENTER**
Enter time
Select level
Begin workout

SPEED

TRAINING (9100 only)
Press **WORKOUTS**
PLUS repeatedly until
SPEED TRAINING
appears; press
ENTER
Enter time
Select level
Begin workout

FOOT HILLS (9100 only)

Press **WORKOUTS**
PLUS repeatedly until
FOOT HILLS
appears; press
ENTER
Enter time
Select level
Begin workout

AEROBICS TRAINER

(9100 only)
Press **WORKOUTS**
PLUS repeatedly
until **AEROBICS**
TRAINER appears;
press **ENTER**
Enter time
Select level
Begin workout

* This workout requires the user to wear the telemetry chest strap.

** Target Heart Rate (THR) is a percentage of the theoretical maximum. A 40-year-old user's THR for the **CARDIO** workout is 144. This workout targets 80 percent of the maximum, so the equation would be $(220-40) \cdot 80 = 144$.

CARDIO

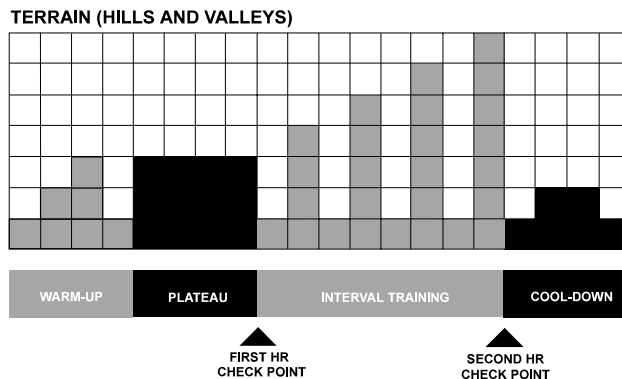
The **CARDIO** workout is virtually identical to **FAT BURN**; however the target heart rate* is calculated at 80 percent of the theoretical maximum†. The user wears a chest strap. The higher target promotes cardiovascular improvement by placing a heavier workload on the heart muscle.

HILL

The Life Fitness-patented **HILL** workout offers a variety of configurations for interval training. Intervals are periods of intense aerobic exercise separated by regular periods of lower-intensity exercise. The **WORKOUT PROFILE** window represents high and low intervals as columns of light, which together have the appearance of hills and valleys. The computerized interval training workout has been scientifically demonstrated to promote greater cardio-respiratory improvement than steady-pace training.

Each **HILL** workout goes through four phases, each marked by different intensity levels. The **WORKOUT PROFILE** window displays the progress of the phases, as seen in the chart following these descriptions. The heart rate should be measured at two stages in the workout to gauge its effectiveness. To do so, wear the Polar heart rate chest strap. Note that the **MESSAGE CENTER** does not display a request for a heart rate measurement during a **HILL** workout.

- 1 **Warm-up** is a phase of low, gradually rising resistance, which brings the heart rate into the lower end of the target zone and increases respiration and blood flow to working muscles.
- 2 **Plateau** increases the intensity slightly, and keeps it steady, to bring the heart rate to the low end of the target zone. Check the heart rate at the end of this phase.
- 3 **Interval Training** is a series of increasingly steeper hills, alternating with valleys, or stints of recovery. The heart rate should rise to the high end of the target zone. Check the heart rate at the end of this phase.
- 4 **Cool-down** is a low-intensity phase that allows the body to begin removing lactic acid, and other exercise by-products, which build up in muscles and contribute to soreness.



Each column, as seen in the **WORKOUT PROFILE** window and the chart above, represents one interval. The overall duration of the workout determines the length of each interval. Each workout is made up of 20 intervals, so the duration of an interval is equal to the duration of the entire workout divided by 20.

† Defined by the American College of Sports Medicine's "Guidelines for Exercise Testing and Prescription" as equal to 220 minus an individual's age.

* Target Heart Rate (THR) is a percentage of the theoretical maximum. For example, a 40-year-old user's THR for the **CARDIO** workout is 144. This workout targets 80 percent of the maximum, so the equation would be $(220-40) \cdot .80 = 144$.

1 to 9 minutes: A workout with a duration of less than 10 minutes is insufficient for the Hill program to complete all four phases adequately. The program, therefore, condenses a workout of this duration at various stages.

10 to 19 minutes: The interval durations initially are set at 30 seconds for a 10-minute workout. For every minute added by the user “on the fly,” each interval increases by three seconds. A 15-minute workout consists of 20 intervals at 45 seconds each.

20 to 99 minutes: All intervals last 60 seconds. If the user adds minutes to the pre-set duration while the workout is in progress, the program adds hills and valleys that are identical to the first eight intervals of the Interval Training phase. This pattern repeats until the workout is completed.

RANDOM

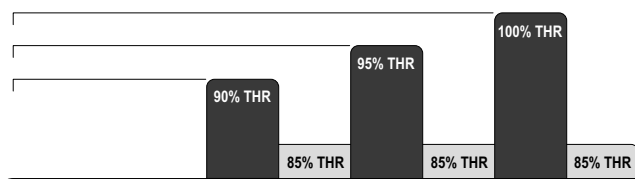
The **RANDOM** program creates a terrain of hills and valleys that varies with each workout. More than one million different patterns are possible.

MANUAL

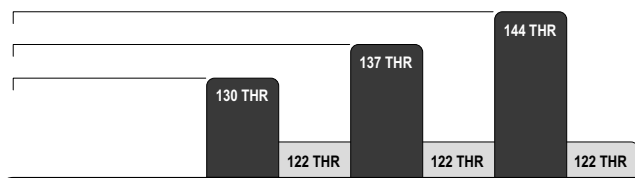
The **MANUAL** program sets an intensity level that does not change automatically. While the workout is in progress, increase or lower the intensity level as desired, using the arrow keys.

HEART RATE HILL WORKOUT (9100 ONLY)

This program consists of three hills that target three heart rate goals: The first hill brings the heart rate to 90 percent of the target rate*. The second hill increases the rate to 95 percent. The third hill matches the target heart rate. The valley always is defined as 85 percent of the target. After a warm-up, the workout progresses toward the first hill and heart rate goal. Once the user reaches 90 percent of the target heart rate, the hill continues for one minute. When the minute expires, the level decreases into a valley. Once the user’s heart rate falls to 85 percent of the target, the valley continues for one minute. Then, the next hill begins with its corresponding heart rate goal. After the user completes the third hill/valley pair, the program returns to the first hill and repeats the cycle as long as the duration allows. See the chart below. Throughout the workout, the user must wear a Polar chest strap to enable the program to monitor the heart rate.



HEART RATE HILL Workout Profile

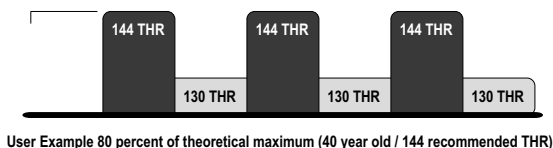
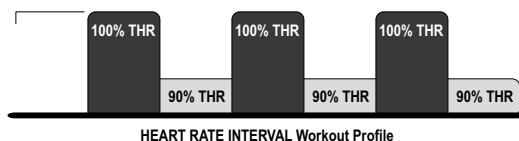


User Example 80 percent of theoretical maximum (40 year old / 144 recommended THR)

* Target Heart Rate (THR) is a percentage of the theoretical maximum. For example, a 40-year-old user's THR for the **HEART RATE HILL** workout is 180. The **CARDIO** workout targets 80 percent of the maximum, so the equation would be $(220 - 40) \times 80 = 144$.

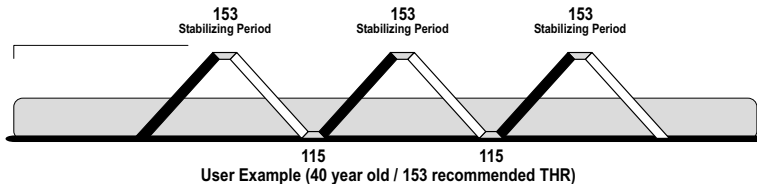
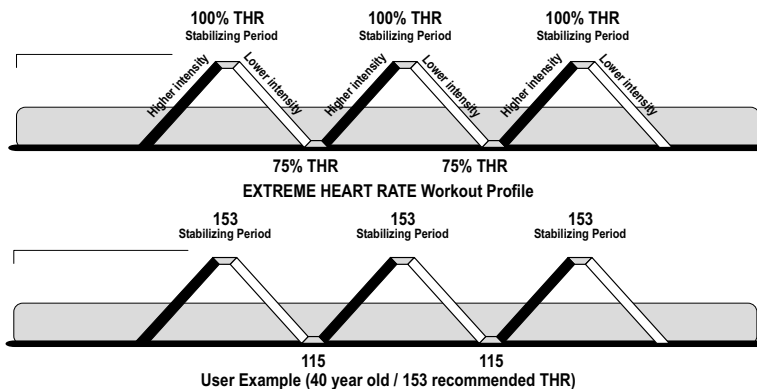
HEART RATE INTERVAL™ WORKOUT (9100 ONLY)

This program alternates between a hill, which brings the heart rate up to the target rate*, and a valley, which brings the heart rate down to 90 percent of the target. After a warm-up, the workout progresses toward the first hill and heart rate goal. Once the goal is reached, the hill continues for three minutes. Then the level decreases into a valley. Once the 90 percent goal is reached, the valley continues for three minutes, after which the next hill begins. The user's fitness level determines the number of hills and valleys encountered within the duration. See the chart below. Throughout the workout, the user must wear a Polar chest strap to enable the program to monitor the heart rate.



EXTREME HEART RATE™ WORKOUT (9100 ONLY)

This intense, varied workout is designed to help more experienced users to break through fitness improvement plateaus. The workout alternates between two target heart rate goals as quickly as possible. The effect is similar to that of running sprints. When setting up the workout, the user enters a target heart rate. After a warm-up, the intensity gradually increases until the user reaches the 100 percent target heart rate goal. Then, that target rate is maintained for a stabilizing period. Afterward, the intensity decreases. When the heart rate falls to the 75 percent goal, it is maintained there for a stabilizing period. The program repeats the alternating of intensity levels, continuing this pattern for the duration. See the chart below. Throughout the workout, the user must wear a Polar chest strap to enable the program to monitor the heart rate.



* Target Heart Rate (THR) is a percentage of the theoretical maximum. For example, a 40-year-old user's THR for the **HEART RATE INTERVAL** workout is 180. The **CARDIO** workout targets 80 percent of the maximum, so the equation would be $(220-40) \cdot 80 = 144$.

WATTS (9100 ONLY)

This workout targets a rate of effort equal to a certain number of Watts. A Watt is a unit of power that measures the amount of mechanical work required to operate a device, such as a Lifecycle recumbent bike. It is roughly equal to .25 calories per hour. The workout program automatically alters the intensity level to maintain the appropriate rate of effort. By default, this workout is turned off. For information on making it available, see Section 5, titled *Internal Settings*.

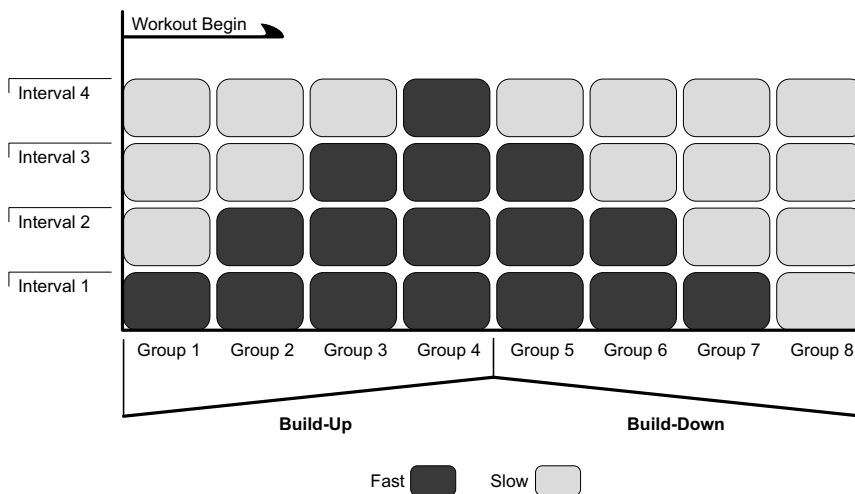
METS (9100 ONLY)

This workout targets a rate of effort equal to a certain number of METs. A MET is a unit of measurement used to express the metabolic rate of work (oxygen consumption per unit of body weight) required to perform a task. One MET is approximately equal to a person's metabolism when seated and relaxed. By default, this workout is turned off. For information on making it available, see Section 5, titled *Internal Settings*.

AEROBICS TRAINER (9100 ONLY)

In this workout, the MESSAGE CENTER continuously prompts the user to switch between a high pedaling speed and a low pedaling speed. These speed intervals alternate in a pattern that promotes a “build-up” in the intensity of the workout, followed by a “build-down” in intensity.

The workout consists of 32 intervals, which are divided into groups of four. In the first group, the user encounters one fast interval followed by three slow intervals. The second group features two fast intervals followed by two slow intervals. The third group features three fast intervals followed by one slow interval. The fourth group, which is the most intense point of the workout, features four fast intervals. Afterward, the workout decreases in intensity, concluding with a group of four, consecutive, slow intervals. See the chart below:



The length of the intervals depends on the workout duration selected by the user.

SIX PRE-SET WORKOUTS (9100 ONLY)

AROUND THE WORLD, CASCADES, FOOT HILLS, INTERVAL, KILIMANJARO, and SPEED TRAINING are variations of the **HILL** workout. These workouts cannot be changed "on the fly."

AROUND THE WORLD is an interval-training workout in which the hills resemble scenes of various geographical areas.

CASCADES is a two-peak workout in which intensity levels gradually increase and decrease.

FOOT HILLS is a rolling hill workout with low intensity levels.

INTERVAL is a Hill workout in which intensity levels rise and fall. The higher levels gradually incline toward a peak and then gradually decline.

KILIMANJARO is a Hill workout in which the intensity levels gradually incline toward one ultimate peak and then gradually decline.

SPEED TRAINING is a Hill workout in which the intensity level alternates between high and low levels very quickly to simulate a typical speed-training workout.

5 OPTIONAL SETTINGS

5.1 ENTERING AND USING THE OPTIONAL SETTINGS FEATURE

Fitness club managers and other authorized personnel can use the Optional Settings feature to change default settings, or to enable or disable certain programs or displays on the bike console.

To enter the Optional Settings, while the unit is on, hold down the UP ARROW key, and press CLEAR twice. The MESSAGE CENTER displays OPTIONAL SETTINGS, and then, the first configuration option. Scroll forward through the options using the ENTER key, or backward, using the CLEAR key. For each feature or setting option, the MESSAGE CENTER displays the default setting. To change the default, press an ARROW key for the desired value. Press ENTER to select the new value or setting.

To exit Optional Settings, press the CLEAR key repeatedly until the MESSAGE CENTER displays "SELECT WORKOUT USING ARROW KEYS OR PRESS QUICK START".

| Setting | Default Value | Description |
|------------------------------|----------------------|---|
| MAX WORKOUT DURATION | 60 minutes | This is the maximum possible duration for a workout. The value can range from 1 to 99. |
| ENGLISH/METRIC UNITS | ENGLISH | This option determines the units of weight measurement used by workout programs. |
| WATTS DISPLAY ENABLE/DISABLE | ENABLED | If this option is enabled, the MESSAGE CENTER displays the Watts equivalent of the step rate. |
| METS DISPLAY ENABLE/DISABLE | DISABLED | If this option is enabled, the MESSAGE CENTER displays the METs equivalent of the step rate. |
| WATTS PROGRAM ENABLE/DISABLE | DISABLED | If this option is enabled, the Watts program becomes an available workout on the bike. |
| METS PROGRAM ENABLE/DISABLE | DISABLED | If this option is enabled, the METs program becomes an available workout on the bike. |
| CAL/HR DISPLAY ENABLE/ | DISABLED | If this option is enabled, the MESSAGE CENTER displays the number of calories burned per hour during the workout. |

6 SERVICE AND TECHNICAL DATA

6.1 PREVENTATIVE MAINTENANCE TIPS

The Lifecycle recumbent bike is backed by the engineering excellence of Life Fitness and is one of the most rugged and trouble-free pieces of exercise equipment on the market today. Commercial Life Fitness products have proven to be durable in health clubs, colleges, and military facilities the world over. This same technology, engineering expertise, and reliability have gone into the Lifecycle recumbent bike.

NOTE: *The safety of the equipment can be maintained only if the equipment is examined regularly for damage or wear. Keep the equipment out of use until defective parts are repaired or replaced. Pay special attention to parts that are subject to wear as outlined in the Preventive Maintenance Schedule. See Section 6.2.*

REMARQUE : *pour conserver un matériel sûr, il convient de l'inspecter régulièrement afin de déceler tout signe d'usure ou d'endommagement. N'utilisez pas l'appareil tant que les pièces défectueuses n'ont pas été réparées ou remplacées. Portez une attention toute particulière aux pièces qui s'usent, comme indiqué ci-dessous.*

The following preventive maintenance tips will keep the Lifecycle recumbent bike operating at peak performance:

- Locate the bike in a cool, dry place.
- Keep the pedal straps fastened securely when using the bike.
- Keep the display console free of fingerprints and salt build-up caused by sweat.
- Use a **100% cotton cloth**, lightly moistened with water and mild liquid detergent, to clean the bike. Other fabrics, including paper towels, may scratch the surface.
Do not use ammonia or acid-based cleaners.
- Long fingernails may damage or scratch the surface of the console; use the pad of the finger to press the selection buttons on the console.
- Clean the housing thoroughly on a regular basis.

NOTE: *A non-abrasive cleaner and soft cotton cloth are strongly recommended for cleaning the exterior of the unit. At no time should cleaner be applied directly to any part of the equipment; apply the non-abrasive cleaner on a soft cloth, and then wipe the unit.*

6.2 PREVENTATIVE MAINTENANCE SCHEDULE

Follow the schedule below to ensure proper operation of the product.

| Follow the schedule below to ensure proper operation of the product. | | | | |
|--|--------|---------|-------------|----------|
| ITEM | WEEKLY | MONTHLY | BI-ANNUALLY | ANNUALLY |
| <i>Display Console</i> | C | I | | |
| <i>Console Mounting Bolts</i> | | | I | |
| <i>Accessory Tray</i> | C | I | | |
| <i>Frame</i> | C | | | I |
| <i>Plastic Covers</i> | C | I | | |
| <i>Pedals and Straps</i> | C | I | | |
| KEY: C=Clean; I=Inspect | | | | |

6.3 TROUBLESHOOTING THE HEART RATE CHEST STRAP

HEART RATE READING IS ERRATIC OR ABSENT ENTIRELY

- Repeat the electrode moistening procedure. See Section 3.2, titled *Heart Rate Monitoring* for details. The electrodes must remain wet to pick up and transmit accurate heart rate readings.
- Make sure the electrodes are flat against the skin.
- Wash the belt transmitter regularly with mild soap and water.
- Make sure the chest strap transmitter is within three feet, or one meter, of the heart rate receiver.
- The chest strap is battery-operated and will stop functioning when the battery runs out. Contact Life Fitness Customer Support Services for instructions on how to have the chest strap replaced. See section 6.4, titled *How to Obtain Product Service*.

HEART RATE READING IS ERRATIC OR EXTREMELY HIGH

If the chest strap is worn near sources of electromagnetic signals, these signals may be strong enough to affect heart rate readings. Possible sources include:

- Television sets and/or antennas, cell phones, computers, cars, high voltage power lines and motor driven exercise equipment.
- Another heart rate transmitter within three feet, or one meter, may also cause abnormal heart rate readings.

6.4 RECYCLING THE BATTERY (9100 ONLY)

When this Life Fitness product is about to be discarded at the end of its useful life, the rechargeable battery must first be removed and recycled. The battery can be accessed through the hole in the shroud on the underside of the bike by carefully tipping the bike on it's side. To remove the battery, disconnect the cable, and remove the two screws holding the battery to the bracket.

6.5 HOW TO OBTAIN PRODUCT SERVICE

1. Verify the symptom and review the operating instructions. The problem may be unfamiliarity with the product and its features and workouts.
2. Locate and document the serial number of the unit. This number consists of three letters followed by six numbers. The serial number plate is located on the front stabilizer at the bottom of the unit.
3. Contact Life Fitness Customer Support Services via the Web at: www.lifefitness.com, or call the nearest Life Fitness Customer Support Services group:

For Product Service within
the United States and Canada:

Telephone: (+1) 847.451.0036
FAX: (+1) 847.288.3702
Toll-free telephone: 800.351.3737

For Product Service Internationally:

Life Fitness Europe GmbH
Telephone: (+49) 089.317.751.66
FAX: (+49) 089.317.751.38

Life Fitness (UK) LTD
Telephone: (+44) 1353.665507
FAX: (+44) 1353.666018

Life Fitness Atlantic BV
Life Fitness Benelux
Telephone: (+32) 03.644.44.88
FAX: (+32) 03.644.24.80
Telephone: (+32) 87.300.942
FAX: (+32) 87.300.943

Life Fitness Italia S.R.L.
Telephone: (+39) 0472.835.470
FAX: (+39) 0472.833.150
Toll-free telephone: 800.438836

Life Fitness Vertriebs GmbH
Telephone: (+43) 1615.7198
FAX: (+43) 1615.7198.20

Life Fitness Asia Pacific Ltd
Telephone: (+852) 2891.6677
FAX: (+852) 2575.6001

*Life Fitness Latin America
and Caribbean*
Telephone: (+1) 847.288.3964
FAX: (+1) 847.288.3886

Life Fitness Brazil
Telephone: (+55) 11.7295.2217
FAX: (+55) 11.7295.2218

Life Fitness Japan
Telephone: (+81) 3.3359.4306
FAX: (+81) 3.3359.4307

Life Fitness Iberia
Telephone : (+34) 93 672 4660
FAX : (+34) 93 672 4670

7 SPECIFICATIONS

7.1 9100 LIFECYCLE RECUMBENT EXERCISE BIKE SPECIFICATIONS

Designed use: Heavy/Commercial
Maximum user weight: 400 pounds / 181 kilograms

CONSOLE:

Type: Arrow keys
Displays: MESSAGE CENTER with heart rate, distance, Revolutions Per Minute (RPM), calories, calories per hour (when enabled), Watts (when enabled), and METs (when enabled)
WORKOUT PROFILE

Summaries: Total elapsed time of workout, total calories burned, total distance

Character size: 0.54 inches

Workouts: Quick Start, Fat Burn, Cardio, Manual, Random, Hill, Heart Rate Hill, Heart Rate Interval, Heart Rate Extreme, Watts (when enabled), METS (when enabled), Kilimanjaro, Cascades, Speed Training, Interval, Foot Hills, Around the World, Aerobic Trainer

Heart rate monitor: Polar telemetry heart rate monitoring system
Polar heart rate chest strap (optional)

Intensity levels: 20

Pedal size: 5 inches x 5.5 inches / 127 millimeters x 140 millimeters

Drive type: Belt/alternator

Accessory Tray: Standard

Color: Slate gray with red and black accents

ASSEMBLED DIMENSIONS:

Length: 54 inches / 137 centimeters

Width: 26 inches / 66 centimeters

Height: 51 inches / 129 centimeters

Weight: 134 pounds / 61 kilograms

SHIPPING DIMENSIONS:

Length: 57 inches / 145 centimeters

Width: 29 inches / 74 centimeters

Height: 44 inches / 112 centimeters

Weight: 165 pounds / 75 kilograms

7.1 8500 LIFECYCLE RECUMBENT EXERCISE BIKE SPECIFICATIONS

Designed use: Heavy/Commercial
Maximum user weight: 400 pounds / 181 kilograms

CONSOLE:

Type: Arrow keys
Displays: MESSAGE CENTER with heart rate, distance, Revolutions Per Minute (RPM), calories, calories per hour (when enabled), Watts (when enabled), and METs (when enabled)
WORKOUT PROFILE
Summaries: Total elapsed time of workout, total calories burned, total distance
Character size: 0.54 inches
Workouts: Quick Start, Fat Burn, Cardio, Manual, Random, Hill
Heart rate monitor: Polar telemetry heart rate monitoring system (optional in U.S.A.)
Polar heart rate chest strap (optional)
Intensity levels: 20
Pedal size: 5 inches x 5.5 inches / 127 millimeters x 140 millimeters
Drive type: Belt/alternator
Accessory Tray: Optional
Color: Slate gray with red and black accents

ASSEMBLED DIMENSIONS:

Length 54 inches / 137 centimeters
Width 26 inches / 66 centimeters
Height 51 inches / 129 centimeters
Weight 134 pounds / 61 kilograms

SHIPPING DIMENSIONS:

Length 57 inches / 145 centimeters
Width 29 inches / 74 centimeters
Height 44 inches / 112 centimeters
Weight 165 pounds / 75 kilograms

LifeFitness

10601 W. Belmont Ave
Franklin Park, IL 60131