

OWNER'S MANUAL

AIM7 SERIES

AIM7 Two / AIM7 Three / AIM7 Four / AIM7 Five Fully Pivoting High Fidelity In-Ceiling Loudspeaker

Congratulations on purchasing SpeakerCraft's AIM7 Series of architectural loudspeakers. The AIM7 Series features fully pivoting woofers and independently pivoting tweeters, allowing the entire speaker to be aimed toward the listener.

SPEAKER PLACEMENT

When following the below recommendations, please keep in mind that placement is always in the ceiling. AIM7 speakers can be used as a pair for stereo listening, or for all five channels of a home theater system: front left and right, center, and rear left and right.

SpeakerCraft recommends the use of a qualified custom installation specialist when installing your AIM7 speakers. If you need assistance in locating an installer, please contact SpeakerCraft at 1-800-448-0976.

1. Determine Your Primary Listening Area

The area where you will most likely be sitting when listening to your speakers is your primary listening area.

2. Placement of Stereo Pair / Front Channels for Home Theater

Consider how far apart the speakers should be. To do this, think of your listening area as one tip of a triangle with each leg of the triangle being equal. See speakers FL (front left) and FR (front right) in Figure 1. Place the speakers as close as possible to the two points they represent on the triangle.

If the speakers are to be part of a home theater speaker system, they should be placed as close as possible to the area above the screen. However, in some cases it may be better to place the speakers farther away from the screen in order to maximize speaker separation. An example of a case when this would be desirable is when the television is positioned directly in a corner (See Figure 2).

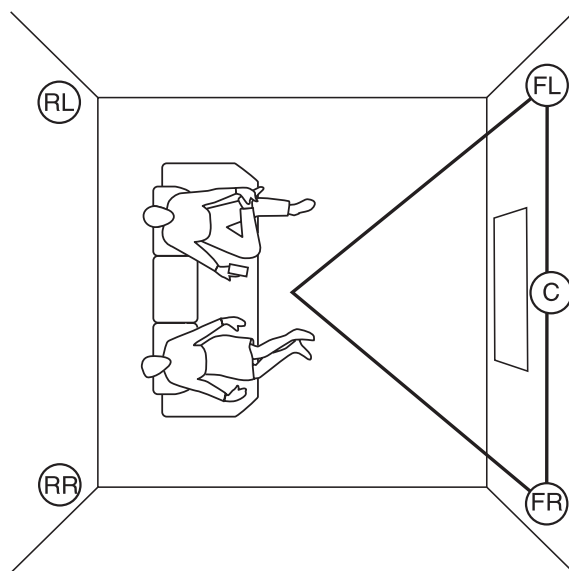


Figure 1

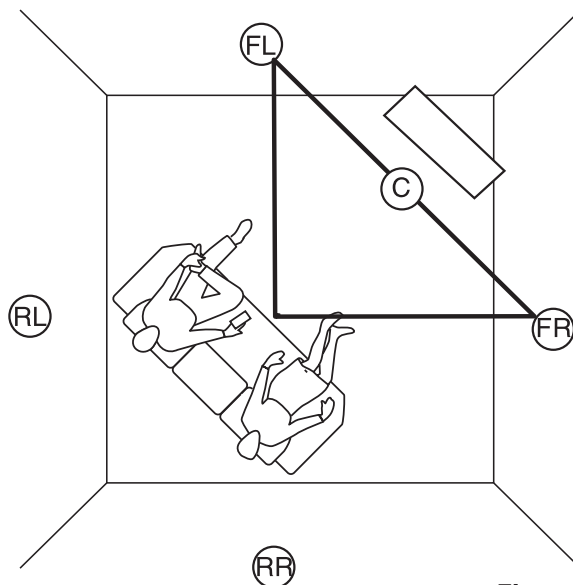


Figure 2