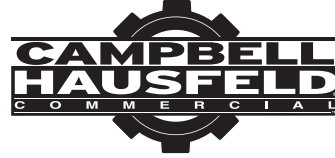
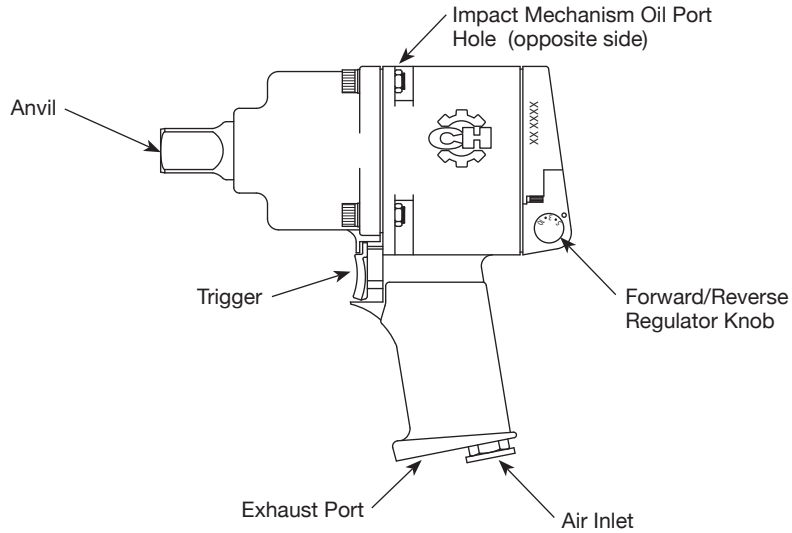


1 inch Pistol Grip Impact Wrench



MODEL: CL255900AV



Description

Impact wrenches are designed for removing and installing nuts and bolts. A rotating mechanism delivers a series of blows that produces torque to remove or install a fastener.

Specifications

Average	15.4 SCFM @ 90 PSIG (18% usage)
Air Consumption	
Continuous	85.4 SCFM @ 90 PSIG (100% usage)
Air Consumption	
Max Operating Pressure	90 PSIG
Max RPM	5000
Max Torque	1450 ft.lb
Working Torque	200-850 ft.lb
Impact Mechanism Type	Twin Hammer
Bolt Capacity	1-1/4 inch
Air Inlet	1/2 NPT (Female)
Minimum Hose Size	1/2 inch
Drive	1 inch Sq
Weight	13 lbs.

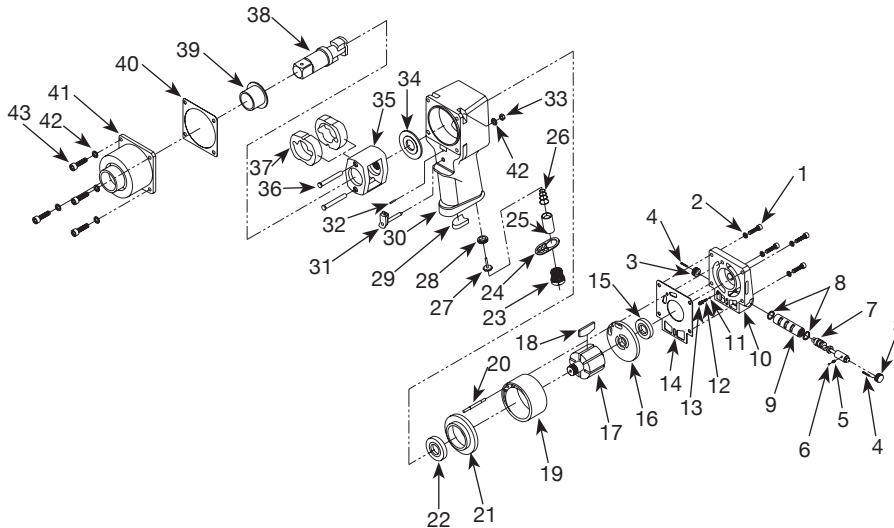
**For Replacement Parts or Technical Assistance,
Call 1-855-504-5678**

Please provide following information:

- Model number
- Serial number (if any)
- Part description and number as shown in parts list

Address any correspondence to:

Campbell Hausfeld
Attn: Customer Service
100 Production Drive
Harrison, OH 45030 U.S.A.



REGISTER YOUR PRODUCT ONLINE NOW!
<http://reg.ch-commercial.com>

REPLACEMENT PARTS LIST

Ref. No.	Description	Part No.	Qty.
1	Screw	--	4
2	Split lock washer	--	4
3	Regulator knob	--	2
4	Roll pin	● ✦	2
5	Spring	✦	1
6	Ball	✦	1
7	Reverse throttle assembly with ball and spring detent	✦	1
8	O-ring	● ✦	2
9	Throttle bushing	--	1
10	Rear cover	--	1
11	Ball	●	1
12	Spring	●	1
13	Set screw	--	1
14	Rear gasket	●	1
15	Bearing	--	1
16	Rear end plate	--	1
17	Rotor	--	1
18	Rotor vane/blade	○	6
19	Cylinder	--	1
20	Pin	●	1
21	Front end plate	--	1
22	Bearing	SV019600AV	1
23	Inlet bushing with screen	--	1
24	Exhaust deflector	▲	1
25	Spring pad	▲	1
26	Spring	▲	1
27	Valve assembly	▲	1
28	Valve rubber seal	▲	1
29	Silencer (muffler)	▲	1
30	Housing with bushing and valve seal	--	1
31	Trigger assembly	SV028700AV	1
32	Trigger guide pin	●	1
33	Nut	--	4
34	Rear washer	‡	1
35	Hammer cage	‡	1

Continued on next page

REPLACEMENT PARTS LIST (CONTINUED)

Ref. No.	Description	Part No.	Qty.
36	Hammer pin	--	2
37	Hammer	--	2
38	Anvil	--	1
39	Anvil bushing	--	1
40	Front gasket	●	1
41	Front housing	--	1
42	Split lock washer	--	8
43	Screw	--	4

REPLACEMENT PARTS KITS

Ref. No.	Description	Part No.
▲	Valve kit	SV255901AV
●	Gasket/small parts kit	SV255903AV
‡	Impact cage kit	SV255906AV
○	Motor blade kit	SV255908AV
♣	Forward/reverse regulator kit	SV255909AV
--	Not available	