

JVC[®]
PROFESSIONAL

1/3" CCD COLOR VIDEO CAMERA
TK-C720U

Replacement of TK-C400U
(24V AC/12V DC)

High-resolution, High-sensitivity CCTV
Camera with Digital Signal Processor for
Use in Low Ambient Light



Shown with optional lens

- Integrated Digital Signal Processor for Low-light Applications (1.5 lux)
- 1/3-inch IT CCD with 380,000 Effective Pixels
- 470 Lines of Horizontal Resolution
- Automatic Gain Control (AGC)
- Auto White Balance with Optional Manual Adjustment
- S/N Ratio of 50 dB (AGC Off)
- Back-light Compensation Automatic Electronic Shutter

High-resolution, High-sensitivity Specification for Application in Low-light Environments

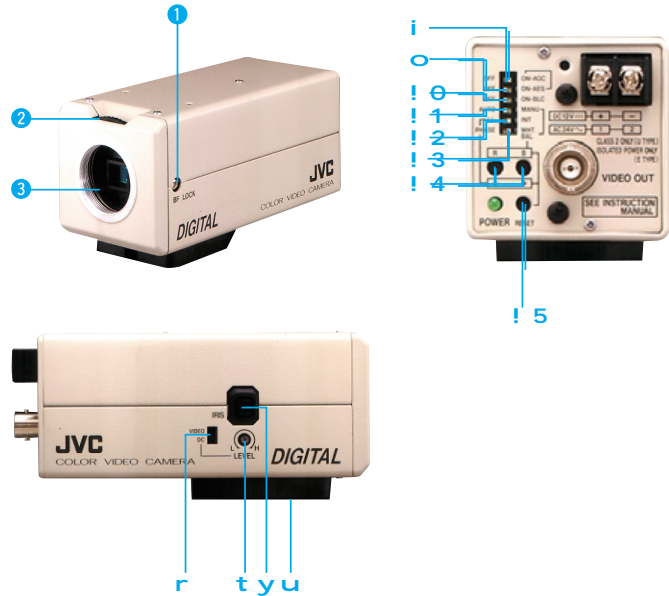
The TK-C720U packs a host of powerful features in a compact unit that's engineered for reliability under the toughest conditions. It delivers crisp color pictures, even when ambient light is low, making it ideal for a wide range of CCTV applications.

- 1/3-Inch CCD with 380,000 Effective Pixels**
 JVC's TK-C720U comes with a 1/3-inch Interline Transfer (IT) CCD for accurate color reproduction and crisp pictures with no image lag or distortion.
- Detail Corrections — Horizontal and Vertical: 2H**
 The TK-C720U provides wide-ranging detail correction — horizontal and vertical, dual-edged with 2H line memory.
- Built-in Digital Signal Processor (DSP)**
 JVC's innovative Digital Signal Processor (DSP) automatically adjusts camera parameters to ensure sharp, natural pictures (470 lines of horizontal resolution) in near total darkness.
- Automatic Gain Control (AGC)**
 For pictures at just 1.5 lux, Automatic Gain Control (AGC) increases the camera's sensitivity as ambient light level falls.
- Auto White-Balance with Manual Adjustment**
 Auto White-Balance is adjusted either automatically or manually over a color temperature range of 2,900 to 8,000K, assuring flexible operation in a wide range of environments.
- S/N Ratio of 50 dB (AGC Off)**
 The TK-C720U features a signal-to-noise ratio of 50 dB for sharp pictures with very precise color reproduction.

Specifications

Signal system	Based on NTSC standard
Pickup device	1/3" Interline-Transfer CCD (with complementary color filter)
Number of effective pixels	380,000 (768 H x 494 V)
Video process circuit	Built-in DSP (9 bits)
Pickup area	4.8 (H) x 3.6 (V) mm
Sync system	Internal, Line Lock (60 Hz regions only)
Scanning system	2:1 interlaced, 525 lines
Scanning frequency	(H) 15.734 kHz (V) 59.94 Hz
Video output	Composite video signal: 1.0 V(p-p), 75 ohms
Video S/N	50 dB (AGC "OFF")
Horizontal resolution	470 TV lines
Minimum required illumination	1.5 lux (f1.2 AGC ON) — Video level 25% 3.0 lux (f1.2 AGC ON) — Video level 50%
Iris control	Video iris/DC iris
White balance	ATW/Manual
BLC	ON and OFF
AES	ON and OFF
Lens mount	C/CS mount (Possible to be attached to the camera with the lens mount change function.)
Power requirement	AC 24 V (60Hz), DC 12 V
Power consumption	4.3 W
Operating temperature range	14°F to 122°F (-10°C to 50°C) Recommended temperature range: 32°F to 104°F (0°C to 40°C)
Weight	0.8 lbs. (360g)

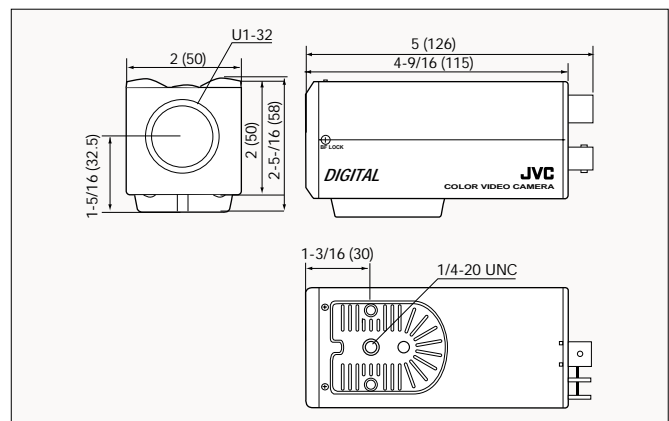
Controls, connectors and indicators



- q BACK FOCUS locking screw
- w BACK FOCUS adjustment and C/CSmount selector ring
- e Lens mount (C or CS)
- r VIDEO/ DC IRIS switch
- t LEVEL volume
- y IRIS connector
- u Camera mounting bracket
- i AUTOMATIC GAIN CONTROL switch
- o AUTOMATIC ELECTRONIC SHUTTER switch
- ! BACK LIGHT COMPENSATION switch
- ! WHITE BALANCE select switch
- ! L/INT select switch
- ! PHASE/ W.B. select switch
- ! PHASE/W.B. adjustment button
- ! RESET button

Dimensions

Unit: inches (mm)



Design and specifications subject to change without notice.

JVC® **DISTRIBUTED BY**

JVC PROFESSIONAL PRODUCTS COMPANY
 DIVISION OF JVC AMERICAS CORP.
 1700 Valley Road, Wayne, N.J. 07470
 TEL: (973) 315-5000, (800) 582-5825
 FAX: (973) 315-5030
 E-mail: proinfo@jvc.com

JVC CANADA INC.
 21 Finchdene Square, Scarborough, Ontario M1X 1A7
 TEL: (416) 293-1311 FAX: (416) 293-8208
 Internet Web Site <http://www.jvcpro.com>



Certificate No. EC96J1049



ISO9001/No. FM26586

■ The Hachioji Plant of Victor Company of Japan, Ltd., has received ISO14001 Certification under the global standard for environmental management.

This catalog is printed on recycled paper.

Printed in Japan
 KCN-1748
 CETKC720UKN20004