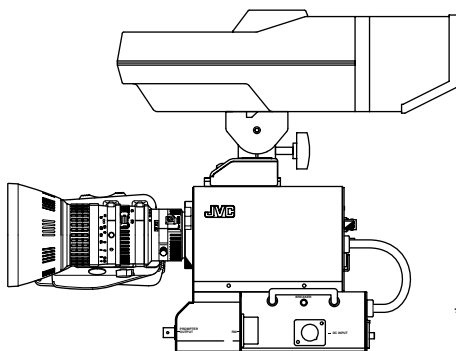




STUDIO KIT
STUDIO SDI KIT

KA-F5602U KA-F5603U

INSTRUCTIONS



*Illustration with optional lens and viewfinder attachments.

This instructions book is made from 100 % recycled paper.

Thank you for purchasing this JVC product. Before operating this unit, please read the instructions carefully to ensure the best possible performance.

For Customer Use:

Enter below the Serial No. which is located on the cabinet. Retain this information for future reference.

Model No. KA-F5602U/KA-F5603U

Serial No. _____

IMPORTANT SAFEGUARDS

1. Read all of these instructions.
2. Save these instructions for later use.
3. All warnings on the product and in the operating instructions should be adhered to.
4. Unplug this appliance system from the wall outlet before cleaning. Do not use liquid cleaners or aerosol cleaners. Use a damp cloth for cleaning.
5. Do not use attachments not recommended by the appliance manufacturer as they may cause hazards.
6. Do not use this appliance near water – for example, near a bathtub, washbowl, kitchen sink, or laundry tub, in a wet basement, or near a swimming pool, etc.
7. Do not place this appliance on an unstable cart, stand, or table. The appliance may fall, causing serious injury to a child or adult, and serious damage to the appliance.


PORTABLE CART WARNING
(symbol provided by RETAC)



S3125A


- Use only with a cart or stand recommended by the manufacturer, or sold with the appliance.
- Wall or shelf mounting should follow the manufacturer's instructions, and should use a mounting kit approved by the manufacturer.
- An appliance and cart combination should be moved with care. Quick stops, excessive force, and uneven surfaces may cause the appliance and cart combination to overturn.
8. Slots and openings in the cabinet and the back or bottom are provided for ventilation, and to insure reliable operation of the appliance and to protect it from overheating, these openings must not be blocked or covered. The openings should never be blocked by placing the appliance on a bed, sofa, rug, or other similar surface. This appliance should never be placed near or over a radiator or heat register. This appliance should not be placed in a built-in installation such as a bookcase unless proper ventilation is provided.
 9. This appliance should be operated only from the type of power source indicated on the marking label. If you are not sure of the type of power supplied to your home, consult your dealer or local power company. For appliance designed to operate from battery power, refer to the operating instructions.
 10. This appliance system is equipped with a 3-wire grounding type plug (a plug having a third (grounding) pin). This plug will only fit into a grounding-type power outlet. This is a safety feature. If you are unable to insert the plug into the outlet, contact your electrician to replace your obsolete outlet. Do not defeat the safety purpose of the grounding plug.
 11. For added protection for this product during a lightning storm, or when it is left unattended and unused for long periods of time, unplug it from the wall outlet and disconnect the antenna or cable system. This will prevent damage to the product due to lightning and power-line surges.
 12. Do not allow anything to rest on the power cord. Do not locate this appliance where the cord will be abused by persons walking on it.
 13. Follow all warnings and instructions marked on the appliance.
 14. Do not overload wall outlets and extension cords as this can result in fire or electric shock.
 15. Never push objects of any kind into this appliance through cabinet slots as they may touch dangerous voltage points or short out parts that could result in a fire or electric shock. Never spill liquid of any kind on the appliance.
 16. Do not attempt to service this appliance yourself as opening or removing covers may expose you to dangerous voltage or other hazards. Refer all servicing to qualified service personnel.
 17. Unplug this appliance from the wall outlet and refer servicing to qualified service personnel under the following conditions:
 - a. When the power cord or plug is damaged or frayed.
 - b. If liquid has been spilled into the appliance.
 - c. If the appliance has been exposed to rain or water.
 - d. If the appliance does not operate normally by following the operating instructions. Adjust only those controls that are covered by the operating instructions as improper adjustment of other controls may result in damage and will often require extensive work by a qualified technician to restore the appliance to normal operation.
 - e. If the appliance has been dropped or the cabinet has been damaged.
 - f. When the appliance exhibits a distinct change in performance – this indicates a need for service.
 18. When replacement parts are required, be sure the service technician has used replacement parts specified by the manufacturer that have the same characteristics as the original part. Unauthorized substitutions may result in fire, electric shock, or other hazards.
 19. Upon completion of any service or repairs to this appliance, ask the service technician to perform routine safety checks to determine that the appliance is in safe operating condition.

SAFETY PRECAUTIONS (FOR USA AND CANADA)



CAUTION

RISK OF ELECTRIC SHOCK
DO NOT OPEN



CAUTION: TO REDUCE THE RISK OF ELECTRIC SHOCK,
DO NOT REMOVE COVER (OR BACK).
NO USER-SERVICEABLE PARTS INSIDE.
REFER SERVICING TO QUALIFIED SERVICE PERSONNEL





ATTENTION


RISQUE D'ELECTROCUTION
NE PAS OUVRIR




ATTENTION: POUR EVITER TOUT RISQUE D'ELECTROCUTION
NE PAS OUVRIR LE BOITIER.
AUCUNE PIECE INTERIEURE N'EST
A REGLER PAR L'UTILISATEUR.
SE REFERER A UN AGENT QUALIFIE EN CAS DE PROBLEME.

 The lightning flash with arrowhead symbol, within an equilateral triangle, is intended to alert the user to the presence of uninsulated "dangerous voltage" within the product's enclosure that may be of sufficient magnitude to constitute a risk of electric shock to persons.

 The exclamation point within an equilateral triangle is intended to alert the user to the presence of important operating and maintenance (servicing) instructions in the literature accompanying the appliance.

 Le symbole de l'éclair à l'intérieur d'un triangle équilatéral est destiné à alerter l'utilisateur sur la présence d'une "tension dangereuse" non isolée dans le boîtier du produit. Cette tension est suffisante pour provoquer l'électrocution de personnes.

 Le point d'exclamation à l'intérieur d'un triangle équilatéral est destiné à alerter l'utilisateur sur la présence d'opérations d'entretien importantes au sujet desquelles des renseignements se trouvent dans le manuel d'instructions.

*Ces symboles ne sont utilisés qu'aux Etats-Unis.

WARNING:
TO REDUCE THE RISK OF FIRE OR ELECTRIC SHOCK, DO NOT EXPOSE THIS APPLIANCE TO RAIN OR MOISTURE.
This unit should be used with 12 V DC only.
CAUTION:
To prevent electric shocks and fire hazards, DO NOT use any other power source.

AVERTISSEMENT:
POUR EVITER LES RISQUES D'INCENDIE OU D'ELECTROCUTION, NE PAS EXPOSER L'APPAREIL A L'HUMIDITE OU A LA PLUIE.
Cet appareil ne doit être utilisé sur 12 V en courant continu.
ATTENTION:
Afin d'éviter tout risque d'incendie ou d'électrocution, ne pas utiliser d'autres sources d'alimentation électrique.

NOTE:
The rating plate (serial number plate) is on this unit.

REMARQUE:
La plaque d'identification (numéro de série) se trouve sur l'appareil.

INFORMATION
This equipment has been tested and found to comply with the limits for a Class B digital device, pursuant to Part 15 of the FCC Rules. These limits are designed to provide reasonable protection against harmful interference in a residential installation. This equipment generates, uses, and can radiate radio frequency energy and, if not installed and used in accordance with the instructions, may cause harmful interference to radio communications. However, there is no guarantee that interference will not occur in a particular installation. If this equipment does cause harmful interference to radio or television reception, which can be determined by turning the equipment off and on, the user is encouraged to try to correct the interference by one or more of the following measures:

- Reorient or relocate the receiving antenna.
- Increase the separation between the equipment and receiver.
- Connect the equipment into an outlet on a circuit different from that to which the receiver is connected.
- Consult the dealer or an experienced radio/TV technician for help.

CAUTION
CHANGES OR MODIFICATIONS NOT APPROVED BY JVC COULD VOID USER'S AUTHORITY TO OPERATE THE EQUIPMENT.

**INFORMATION (FOR CANADA)
RENSEIGNEMENT (POUR CANADA)**

This Class B digital apparatus complies with Canadian ICES-003.

THIS DEVICE COMPLIES WITH PART 15 OF THE FCC RULES. OPERATION IS SUBJECT TO THE FOLLOWING TWO CONDITIONS: (1) THIS DEVICE MAY NOT CAUSE HARMFUL INTERFERENCE, AND (2) THIS DEVICE MUST ACCEPT ANY INTERFERENCE RECEIVED, INCLUDING INTERFERENCE THAT MAY CAUSE UNDESIRE OPERATION.

Cet appareil numérique de la Class B est conforme à la norme NMB-003 du Canada.

SAFETY PRECAUTIONS (FOR EUROPE)

WARNING:

TO REDUCE THE RISK OF FIRE OR ELECTRIC SHOCK, DO NOT EXPOSE THIS APPLIANCE TO RAIN OR MOISTURE.

This unit should be used with 12 V DC only.

CAUTION:

To prevent electric shocks and fire hazards, do NOT use any other power source.

Note:

The rating plate (serial number plate) is on this unit.

CAUTION

To prevent electric shock, do not open the cabinet. No user serviceable parts inside. Refer servicing to qualified service personnel.

This equipment is in conformity with the provisions and protection requirements of the corresponding European Directives. This equipment is designed for professional video appliances and can be used in the following environments:

- Residential (including both of the location type class 1 and 2 found in IEC 1000-2-5)
- Commercial and light industrial (including, for example, theatres)
- Urban outdoors (based on the definition of location type class 6 in IEC 1000-2-5)

In order to keep the best performance and furthermore for electromagnetic compatibility we recommend to use cables not exceeding the following lengths:

Port	Cable	Length
RM	Exclusive Cable	100 meters
PROMPTER OUTPUT	Coaxial Cable	5 meters
DC INPUT	Exclusive Cable	5 meters
SDI OUTPUT	Coaxial Cable	5 meters

Caution:

- Where there are strong electromagnetic waves or magnetism, for example near a radio or TV transmitter, transformer, motor, etc., the picture and sound may be disturbed. In such a case, please keep the apparatus away from the sources of the disturbance.

Thank you for purchasing this

KA-F5602U / KA-5603U Studio Kit.

This product is a kit meant for converting JVC's KY-F560 video camera into a studio camera. Model designation may differ depending on whether the Studio Kit is equipped with a SDI (Serial Digital Interface) terminal.

Model	SDI Output Terminal
KA-F5602U	Nil
KA-F5603U	Yes

Main Features

- **Equipped with analog 26P camera connector**

Connecting to Remote Control Unit RM-P210, which is sold separately, this unit could be controlled from up to a distance of 100 m away. In this case, power for the camera is provided by the remote control unit and thus there is no requirement for a separate power supply for the camera.

- **Multi-system output**

From the 26P camera connector, besides the composite signal, another video signal which could be either RGB component, Y/Cb/Cr component, or YC separate signal could be outputted. (Selectable by menu switch.)

- **Possible to install VF-P400 4-inch Viewfinder**

- **Equipped with intercom terminal**

With the use of headset, communications with remote control unit operator is possible.

- **Equipped with prompter output terminal**

Prompter video from the remote control unit could be outputted in the form of composite signal.

- **H phase and SC phase could be adjusted during synchronization. (Using menu screen)**

- **Equipped with SDI output terminal (Only for KA-F5603U)**

Camera video is output as serial digital video signal (SMPTE259M-compliant).

Contents

Getting Started

Accessories	8
Related Products used in Conjunction with this Unit	8
Precautions	9
Regarding Gain-lock Signal and adjustment of System Phase	9
Part Names and Functions	10

Installation

System	13
Installation Procedures	14
Mounting KY-F560 Camera on this Unit	14
Mounting the Lens onto the Camera	16
Mounting this Unit onto the Tripod	16
Mounting VF-P400 4-inch Viewfinder on this Unit	17

Connecting RM-P210

Connecting to Remote Control Unit RM-P210	18
Notes to be taken when operating RM-P210	20

Menu Screen

“SYSTEM” Menu Screen	21
“DISPLAY” Menu Screen	22

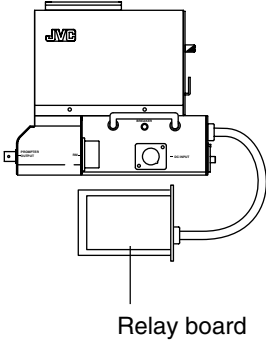
Others

Specifications	23
----------------------	----

Getting Started

Accessories

■ Studio Kit main body



- **Screw - 1 piece:** Use for securing KY-F560 camera on the Studio Kit.



- **Instructions (this booklet)**

Related Products used in Conjunction with this Unit

- Color video camera KY-F560
- 4-inch Viewfinder VF-P400
- Remote Control Unit RM-P210
- Intercom Headset KA-310U
- 26 Pin Camera Cable VC-P110 (5 m)
VC-P112 (20 m)
VC-P113 (50 m)
VC-P114 (100 m) } Select either one.
- Use the undermentioned AC power supply if the Remote Control Unit RM-P210 is not in-use.
AC Power Supply AA-P250

※ Please refer to page 13 'System' for details.

Precautions

- In order to ensure that this unit could serve you longer, avoid storing or using it at the following places.
 - Extremely hot or cold places
 - Places with strong vibration
 - Dusty places
 - High humidity places
 - In the vicinity of strong noise sources
- Do not subject this unit to strong vibration or impact when installing or moving it.
- Do not plug in or plug out the camera cable connector when this unit has been powered on.
- Use only the designated power supply. Use either RM-P210 or AA-P250.
- To reduce power consumption, turn off the power when not in-use.
- When transceiver or mobile phone is used near this unit, noises may be introduced into the intercom speaker or the screen. This is not a malfunction.
- Earthing the INTERCOM G(GND) terminal is recommended as noises may be induced depending on the intercom headset used.
- Use only the specified standard length camera cable. Otherwise, the cable compensation may be insufficient.

Caution

Moving this unit with the supporting tripod attached may cause it to detach and drop if there is sudden external impact or vibration. This may cause injuries. Please remove this unit from the tripod before moving it.

Regarding Gain-lock Signal and adjustment of System Phase

When using RM-P210 Remote Control Unit with this system, Gain-lock signal could be input into either KY-F560 Camera or RM-P210.

However, if Gain-lock signal is applied to both KY-F560 and RM-P210, screen images will appear jerky.

Please carry out the System Phase adjustment via the machine where Gain-lock signal has been input.

In addition, the first priority will be given to RM-LP55 when connecting it.

■ When Gain-lock signal is input into RM-P210

Please adjust the phase by adjusting RM-P210's H and SC.

Use RM-LP55 to adjust the phase if it is connected to this system.

■ When Gain-lock signal is input into KY-F560

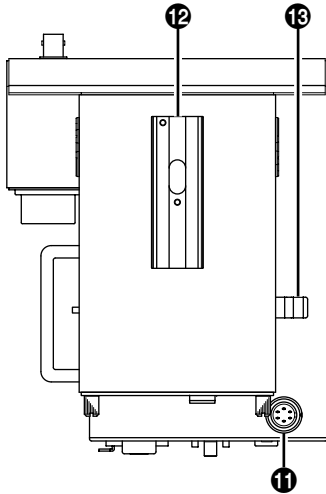
Please adjust the phase by adjusting KY-F560's H and SC.

(Adjustment should be done through KY-F560 even if RM-P210 is connected).

Use RM-LP55 to adjust the phase if it is connected to this system.

Getting Started

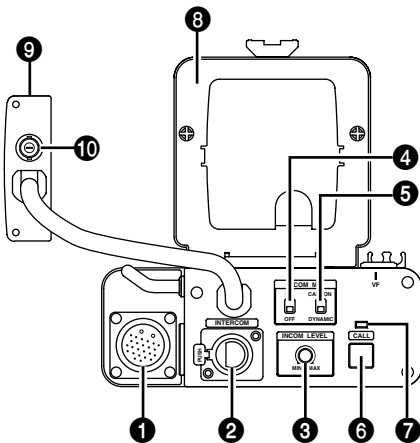
Part Names and Functions



- [RM] RM Multi-pin Connector (26 Pin)**
Connect to Remote Control Unit RM-P210 by using the 26 pin camera cable. In addition, power is supplied to the this unit and the camera via this connector from the remote control unit.

Note

Besides Composite video signal, other types of camera video signals which could be output from the output terminal of RM-P210 include RGB component, Y/Cb/Cr component and YC separate signal. The output signal could be selected using the “OUTPUT” item under the “SYSTEM” menu screen on the KY-F560. (page 21)



- [INTERCOM] Intercom Input Terminal (XLR 5 Pin)**
Input terminal for intercom headset. JVC Headset KA-310U can be connected here.
- [INCOM LEVEL] Intercom Receiver Volume**
Use for adjusting the intercom headset receiver volume level.
- [INCOM MIC] Intercom Mic [ON/OFF] Switch**
[ON/OFF] switch for intercom headset microphone. Set it to [ON] if the headset microphone is to be used.

Part Names and Functions (continued)

5 [INCOM MIC] Intercom Mic [CARBON/DYNAMIC] Switch

Use for selecting the type of intercom headset microphone to be used.

[CARBON] : Choose this setting if carbon type microphone is to be used.

[DYNAMIC] : Choose this setting if dynamic type microphone is to be used.

※ If JVC Headset KA-310U is to be used, choose the [CARBON] setting.

6 [CALL] Call Button

Press this button to send call signal to the remote control unit operator if intercom headset is not in-use.

When this button is pressed and held down, call signal is being sent to the remote control unit and its [TALLY] button indicator will blink. Once the [CALL] button is released, call signal will not be sent and the [TALLY] button indicator of the remote control unit will go off.

7 [CALL] Indicator

If the remote control unit is connected, it will light up during the duration when 6 [CALL] button is being pressed and held down. The indicator will go off once the [CALL] button is released.

8 Camera Mounting Frame

Remove this frame for the mounting of KY-F560 camera.

9 Relay Board

This board is meant for connecting to KY-F560 camera. This is to be inserted into the slot at the rear of KY-F560.

10 [SDI OUT] SDI Output Terminal...Only for KA-F5603U

Camera video is output in the form of SDI signal.

Caution

To avoid causing malfunction, please do not touch this terminal except when connecting cable to it.

11 [VF] Viewfinder Terminal (6 Pin)

Use for connecting cable from the Viewfinder.

12 Viewfinder Holder

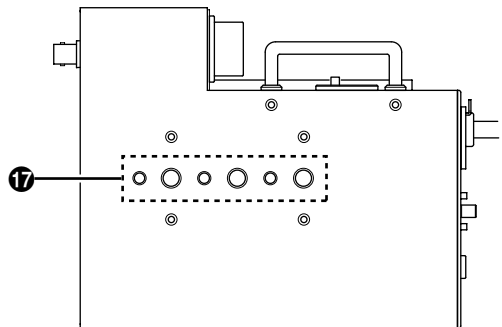
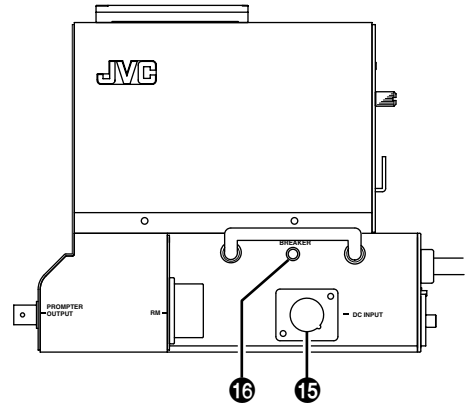
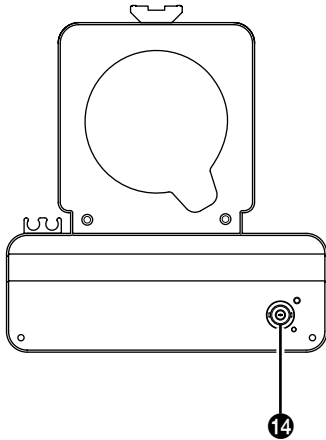
Use for mounting the VF-P400 4-inch Viewfinder.

13 Lens Cable Clamp

This clamp is meant for securing the lens cable.

Getting Started

Part Names and Functions (continued)



14 [PROMPTER OUTPUT] Prompter Output Terminal (BNC)

Signal (prompter video signal) inputted into the [AUX] input terminal of the remote control unit will be outputted from this terminal via the RM multi-pin connector. Composite signal will be outputted. Video monitor will be connected here.

15 [DC INPUT] DC Power Input Terminal (XLR 4 Pin)

Apply DC power to this terminal if Remote Control Unit RM-P210 is not going to be connected. For DC power supply, use AA-P250.

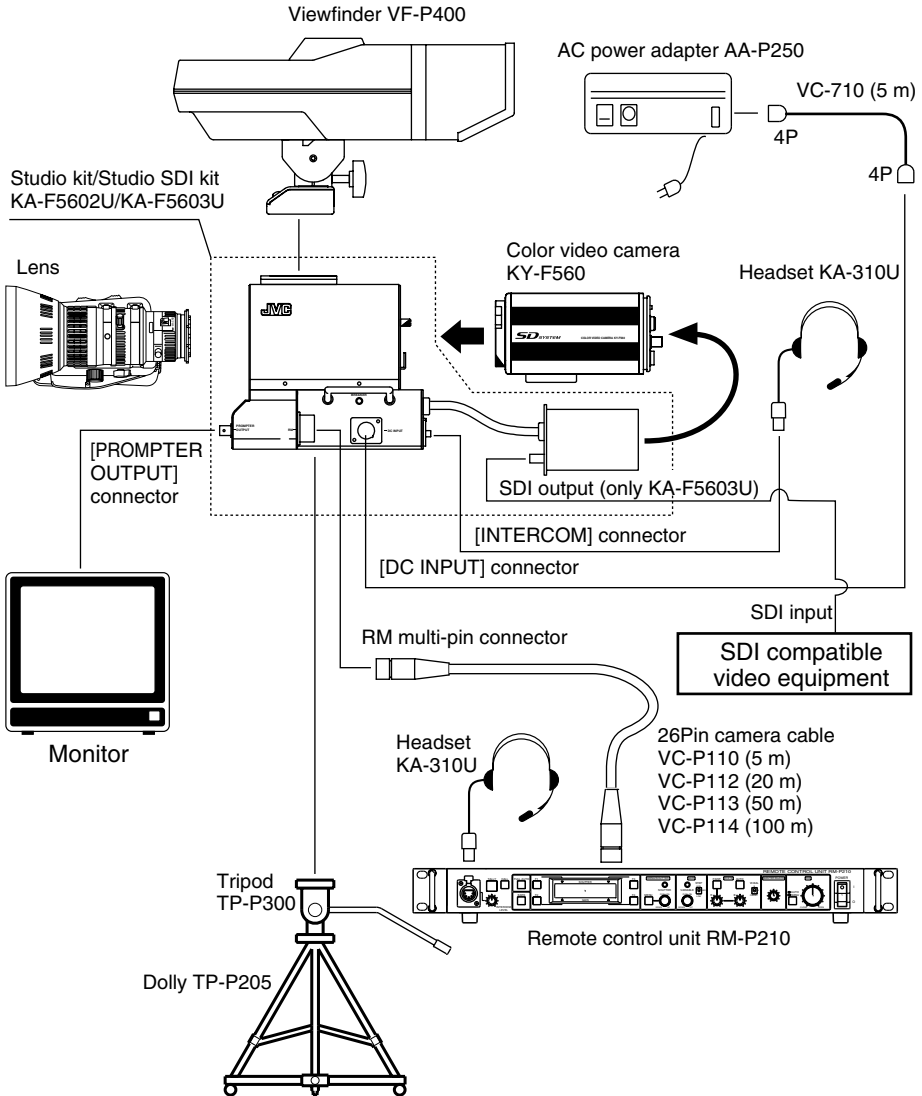
16 [BREAKER] Breaker Switch

Breaker switch will trip and cut off the power if the power consumed is higher than the rated capacity. If the breaker switch trips, confirm that there are no abnormalities and that the power consumption does not exceed the rated wattage. If no abnormalities are detected, press the breaker switch before turning the power ON again to put this unit in the operating status. If this unit still does not function properly, consult your JVC-authorized dealer.

17 Screw Holes for Mounting Tripod

Installation

System



- Please refer to KY-F560 instruction manual for details on the lens and lens remote control.
- The 26 Pin camera cable used should be less than 100 m.
- Power is supplied via the 26 Pin camera cable by the Remote Control Unit RM-P210 if it is in-use. If the Remote Control Unit RM-P210 is not in-use, please use AC power adapter AA-P250.

Installation

Installation Procedures

1. Mounting KY-F560 Camera on this Unit.



2. Mounting the Lens onto the Camera.



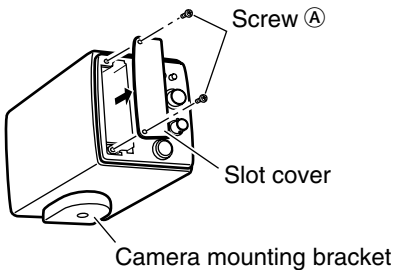
3. Mounting this Unit onto the Tripod.



4. Mounting VF-P400 4-inch Viewfinder on this Unit.

Mounting KY-F560 Camera on this Unit

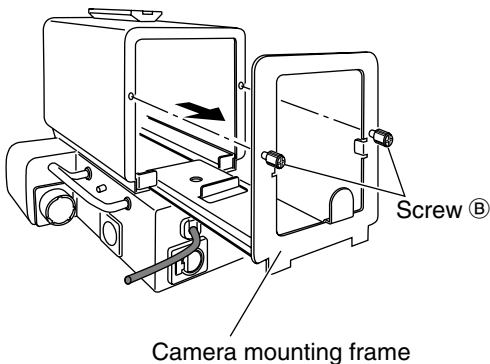
1.



1. Preparations to be done on KY-F560 camera.

- If the lens is attached to KY-F560 camera, remove and place it aside.
- Attached the camera mounting bracket at the bottom of the camera.
- Remove 2 screws (A) from the rear of the camera and take out the slot cover.

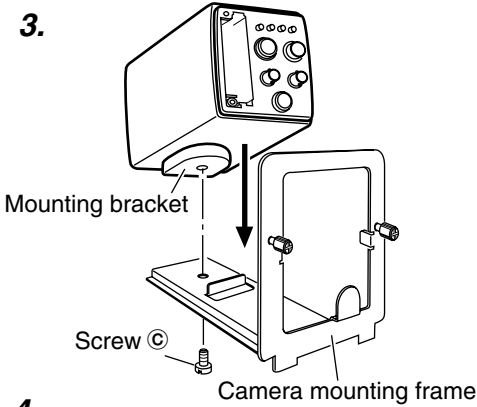
2.



2. Loosen 2 screws (B) of this unit and pull out the camera mounting frame.

Mounting KY-F560 Camera on this Unit (continued)

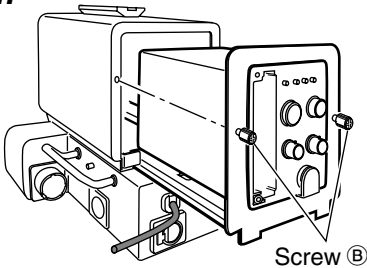
3.



3. Place the camera on top of the camera mounting frame and use the screw C provided to secure the camera to the base of the frame.

Use the camera mounting bracket screw hole to secure the camera.

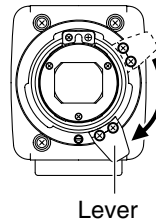
4.



4. After the camera mounting frame is inserted into this unit, secure it by screwing back the 2 screws B which were taken out earlier in above-mentioned step 2.

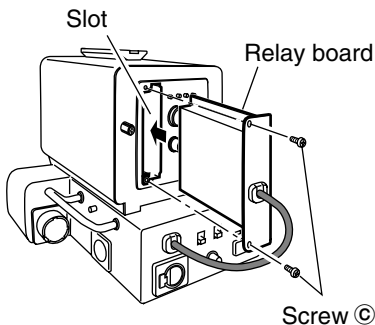
Notes

- Please remove the camera lens mount cap before hand.
- Before inserting the camera mounting frame into this unit, turn the lens secure



lever located in front of the camera clockwise to move it to a lower position. If the lever remains at the upper position, it may hit this unit when the frame is being inserted.

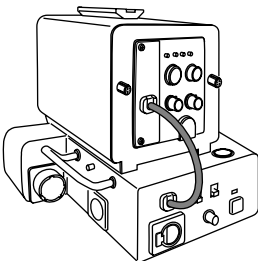
5.



5. Insert this unit's relay board into the slot at the rear of the camera and secure it by screwing back the 2 screws A which were taken out earlier in above-mentioned step 1.

Note

Ensure that the relay board is inserted all the way in.

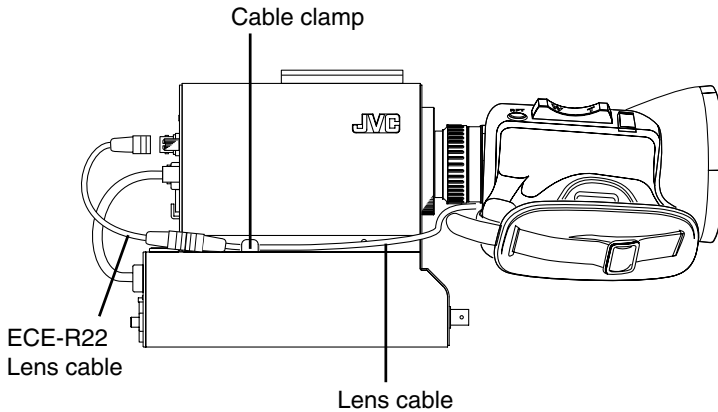


Installation

Mounting the Lens onto the Camera

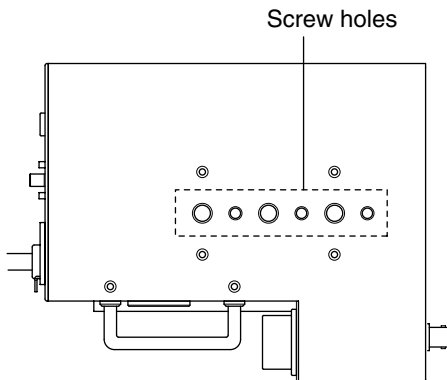
Please refer to KY-F560 instruction manual on mounting the lens.

- When using the under-mentioned types of lens, lens cable ECE-R22 which is sold separately must be used. (Please consult your local JVC authorized service agent for details of the cable to be used.)
S17 x 6.6 BRM(FUJINON)
YH16 x 7K12U(CANON)
- Use the cable clamp to secure the lens cable to this unit.

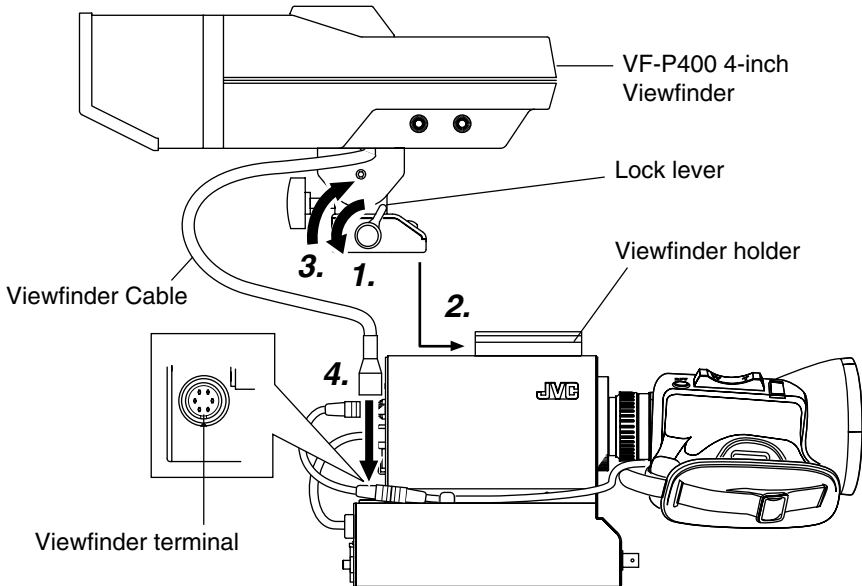


Mounting this Unit onto the Tripod

Mount and fix this unit onto the tripod using the multiple screw holes provided beneath it. Use the appropriate screw holes for mounting this unit such that it could be balanced properly on top of the tripod.



Mounting VF-P400 4-inch Viewfinder on this Unit



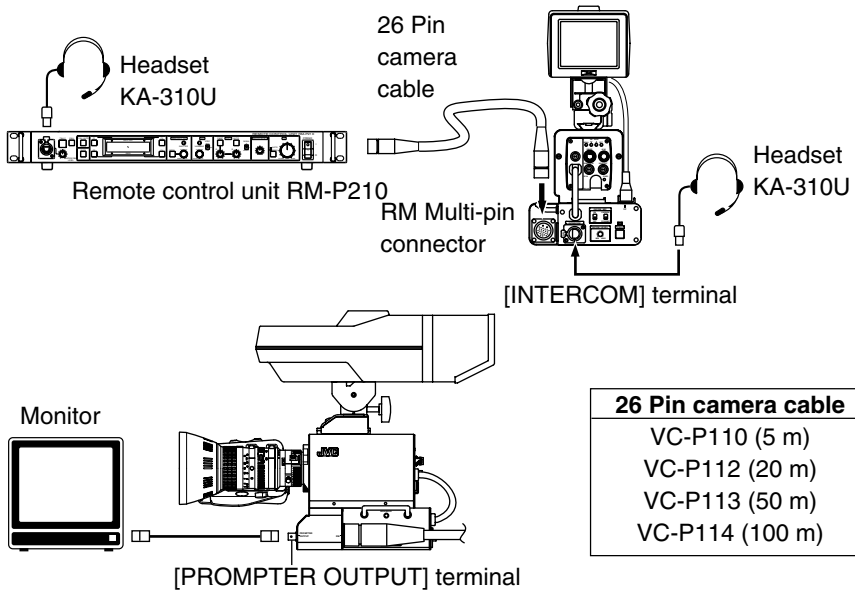
- 1.** Loosen the viewfinder lock lever by turning it anti-clockwise.
- 2.** Slide the viewfinder forward along the viewfinder holder guide on top of this unit.
- 3.** Turn the viewfinder lock lever clockwise to lock it.
- 4.** Plug the viewfinder cable connector into this unit's viewfinder terminal.

Note

When "ASPECT RATIO" item under the "SYSTEM" menu screen of KY-F560 is set to "16:9", images will appear vertically elongated in the View Finder VF-P400.

Connecting RM-P210

Connecting to Remote Control Unit RM-P210



Connection

Switch off RM-P210 power supply before attempting the connection.

- Connect this unit's RM multi-pin connector and RM-P210 using the 26 Pin camera cable. Length of the camera cable should not be longer than 100 m.
- If intercom headset is to be used, plug the Headset KA-310U into the [INTERCOM] terminal.
- Prompter video (RM-P210 [AUX VIDEO INPUT] terminal's input signal) from RM-P210 could be verified by connecting this unit's [PROMPTER OUTPUT] terminal located in front of it to a monitor using BNC cable.

Note

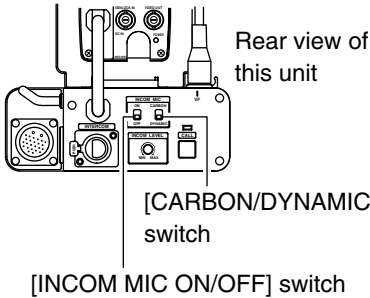
Power for this unit and the camera is supplied by RM-P210 via the 26 Pin camera cable.

Setting

■ Menu screen setting

- Composite video signal is always output at the RM multi-pin connector. In addition, another type of video signal which could be either RGB component, Y/Cb/Cr component or YC separate signal could be outputted. The output signal could be selected using the "OUTPUT" item under the "SYSTEM" menu screen.
- If the output signal is RGB component, option to superimpose SYNC signal onto the G signal could be selected through the "SYNC ON G" item under the "SYSTEM" menu screen.

Connecting to Remote Control Unit RM-P210 (continued)



Switch setting

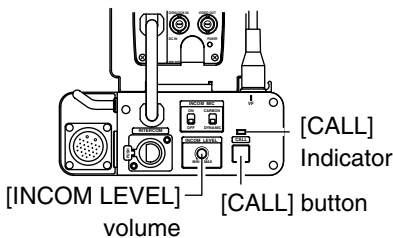
- Set the [CARBON/DYNAMIC] switch according to the type of intercom headset microphone to be used. (If JVC Headset KA-310U is connected, choose the [CARBON] setting.)
- Set the [INCOM MIC ON / OFF] switch depending on whether headset microphone will be used. If the switch is set to [ON], then the headset microphone could be used.

Operation

- Turn the [POWER] switch of the camera remote control unit to [ON]. After the [POWER] switch is turned on, camera remote control unit could be operated after about 30 seconds.

Note

After the power is turned on, the camera remote control unit takes about 30 seconds to be ready to communicate with this unit.



- When this unit's [CALL] button is pressed and held down, call signals will be sent to the remote control unit operator and the [TALLY] button indicator of the remote control unit will blink. During this duration, the [CALL] indicator of this unit will light up. The Viewfinder's [TALLY] lamp will also blink when call signals are received from the remote control unit.
- The headset reception volume could be adjusted by [INCOM LEVEL] volume.

Note

- If both this unit (including the camera) and the remote control unit have the same functional switches, the remote control unit switches will be accorded higher priority.
- If local Remote Control Unit (RM-LP55 or RM-LP57) is used simultaneously, the local remote control unit will be accorded higher priority.
- When synchronization signal is added to both the camera and the camera remote control unit, pictures will be distorted. (☞ page 9 'Regarding Gain-lock Signal and adjustment of System Phase')
- If external synchronization signal is present when the power is turned on, pictures may appear jerky for a few seconds. This is not a malfunction.
- When using the remote control unit, refer to its instruction manual for details.

Connecting RM-P210

Notes to be taken when operating RM-P210

When using RM-P210 menu to carry out the setting of KY-F560, some items of RM-P210 menu setting may not be consistent with the operations of KY-F560.

RM-P210 Menu			Operation of KY-F560
No	Item	Variable Value	
4G	■ “PROCESS” screen “KNEE POINT” (KNEE POINT setting when AUTO KNEE is off)	10 ∷ NORMAL ∷ -10	KNEE point may vary as follows: NORMAL : 100 % (Maximum level) ∷ ∷ -10 : 80 % (Minimum level) Level will change by 5 % with every 2-step adjustment on the minus side. Setting the plus side (1 to 10) will not change the KNEE point.
4K	“GAMMA LEVEL” (GAMMA CURVE Correction)	10 ∷ NORMAL ∷ -10	Level will change (switch to next level) with every 2-step adjustment. (-5 ~NORMAL ~5)
5B	■ “OPERATION” screen “V. GAIN STEP” (VARIABLE GAIN STEP SETTING)	0.1 dB 1.0 dB	With 0.1 dB setting, turning of RM- P210 [VARIABLE GAIN] knob will cause the gain level to change at 0.2 dB step. With 1.0 dB setting, gain level will change at 1.0 dB step.

Menu Screen

When KY-F560 camera is mounted on this unit, new menu screens and menu items are added to the original KY-F560 menu screen.

The additional new menu screens and menu items will be explained here.

Please refer to KY-F560 instruction manual for details on menu screen setting.

“SYSTEM” Menu Screen

The following additional items are added to the “SYSTEM” menu screen.

The settings in bold are factory settings.

Item	Function/Variables
“OUTPUT”	From RM multi-pin connector, besides the composite signal, another type of output video signal could be outputted. The additional output signal is selected here. “ Y/Cb/Cr ” : Y/Cb/Cr component signal will be outputted. “ RGB ” : RGB component signal will be outputted. Option to superimpose SYNC signal onto the G signal could be selected under the item “SYNC ON G”. “ Y/C ” : YC separate signal will be outputted.
“SYNC ON G”	Option to superimpose SYNC signal onto the G signal of the RGB component signal is selected here. This item could only be set when “RGB” has been selected under the “OUTPUT” item. “ ON ” : SYNC signal will be superimposed. “ OFF ” : SYNC signal will not be superimposed.

Menu Screen

“DISPLAY” Menu Screen


Additional new “DISPLAY” menu screens are added.

The settings in bold are factory settings.

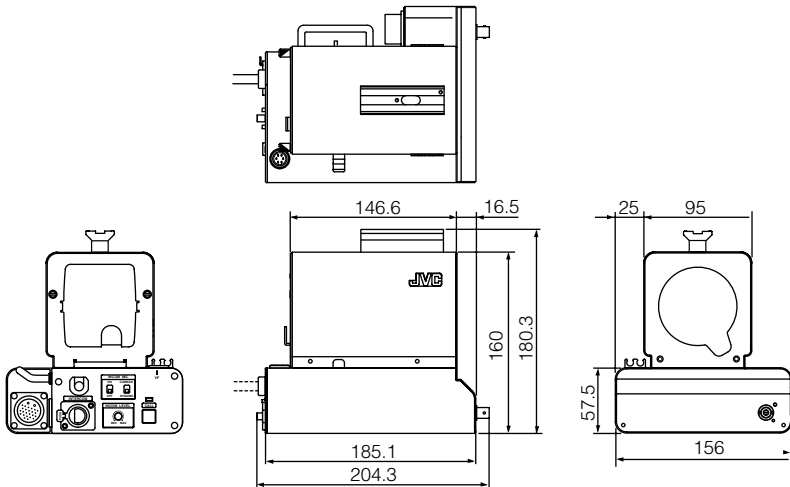
Item	Function/Variables
“CHARACTER”	To select whether characters will be displayed in the viewfinder. “OFF” : Characters will not be displayed. “ ON ” : Characters will be displayed. Whether to display characters could be selected individually at the next item. ※ Even if this item is set to “ON”, no character will be displayed if the individual character item is set to “OFF”.
“F NO.”	To select whether to display the lens iris F value on the viewfinder. “OFF” : Will not be displayed. “ ON ” : Will be displayed.
“SAFETY ZONE”	To select whether to display safety zone and its style on the viewfinder. “OFF” : Will not be displayed. “ NORMAL ” : Safety zone with aspect ratio of 4:3 will be displayed. “16:9” : Safety zone with aspect ratio of 16:9 will be displayed.
“CENTER MARK”	To select whether to display the centre mark when the display of safety zone has been selected. “OFF” : Will not be displayed. “ ON ” : Will be displayed.
“TALLY”	To select whether viewfinder [TALLY] lamp will be turned on when signal is applied to the [TALLY] terminal located at the rear of the Remote Control Unit RM-P210. “OFF” : Lamp will not be turned on. “ ON ” : Lamp will be turned on.

Others

Specifications

RM Multi-pin connector	:	Composite video signal output (Either Y/Cb/Cr, RGB or YC separate output signal could be selected)
PROMPTER output	:	PROMPTER video signal output (composite signal)
SDI output	:	Serial digital video signal (SMPTE259M-compliant) 0.8 V(p-p), 75 Ω Unbalanced (only for KY-F5603U)
Operating temperature range	:	-5 °C to 40 °C (Humidity below 80 %)
Allowable storage temperature	:	-20 °C to 60 °C
Power supply voltage	:	DC12 V 
Power consumption	:	KA-F5602U Max. 17 W (KY-F560, VF-P400, lens in-use) KA-F5603U Max. 18 W (KY-F560, VF-P400, lens in-use)
Dimensions	:	(W) 156 mm x (H) 180.3 mm x (D) 185.1 mm (Exclude protruded part.)
Mass	:	Approx. 1.8 kg
Accessories	:	Screw x 1 Instructions x 1

Dimensions (Unit: mm)



Specifications and appearance of this unit are subject to change for further improvement without prior notice.

MEMO

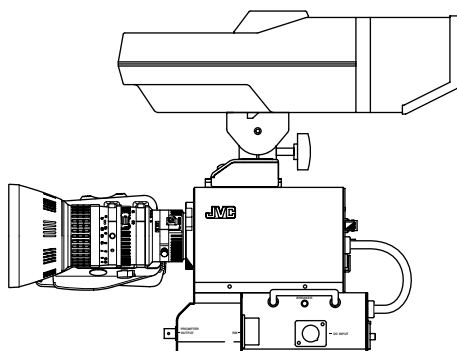
.....
.....
.....
.....
.....
.....
.....
.....
.....
.....
.....
.....
.....
.....
.....
.....
.....
.....
.....
.....
.....
.....
.....
.....
.....
.....
.....
.....
.....
.....
.....
.....
.....
.....
.....
.....
.....
.....
.....
.....
.....
.....
.....

スタジオキット スタジオSDIキット

型名 **KA-F5602U**
KA-F5603U

取扱説明書

Japanese



イラストは、別売のレンズ・ビューファインダーを取り付けた例です。

お買い上げありがとうございます。

- ご使用前にこの「取扱説明書」と「安全上のご注意」を良くお読みのうえ、正しくお使いください。特に、「安全上のご注意」は必ずお読みいただき安全にお使いください。お読みになったあとは、保証書と一緒に大切に保管し、必要なときにお読みください。
- 製造番号は品質管理上、重要なものです。お買い上げの際は本機に製造番号が正しく記載されているか、またその製造番号と保証書に記載されている製造番号が一致しているかを、お確かめください。

私たちは環境・資源をたいせつにしています。
この取扱説明書はエコマーク認定の再生紙
(古紙100%)を使用しています。

このたびは

スタジオキット KA-F5602U / KA-F5603U を お買い上げいただきありがとうございます。

この商品は、当社カラービデオカメラKY-F560をスタジオカメラとして使用するためのキットです。

SDI(Serial Digital Interface)出力端子の有無により型名が異なります。

型名	SDI出力端子
KA-F5602U	なし
KA-F5603U	あり

主な特長

● アナログ26Pカメラコネクタ装備

別売のリモートコントロールユニットRM-P210に接続し、最大100 mまでの範囲で本機をコントロールできます。この場合、カメラへの電源はリモートコントロールユニットから供給されますので、カメラ用として別電源を用意する必要はありません。

● 多系統な出力

26Pカメラコネクタからはコンポジット信号の他、RGBコンポーネント、Y/Cb/CrコンポーネントまたはYCセパレート信号のいずれかを出力します。(メニュースイッチにて選択します。)

● 4型ビューファインダーVF-P400装着可能

● インカム端子装備

ヘッドセットを使用することにより、リモートコントロールユニットのオペレーターとのコミュニケーションが可能となります。

● プロンプター出力端子装備

リモートコントロールユニットからのプロンプタービデオをコンポジット信号で出力します。

● 同期結合時のH位相やSC位相調整ができます。(メニュー画面にて)

● SDI出力端子装備(KA-F5603Uのみ)

カメラ映像をシリアルデジタルビデオ信号(SMPTE259M準拠)で出力します。

目次

はじめに

付属品をご確認ください.....	28
本機を使用するための関連商品.....	28
正しくお使いいただくためのご注意.....	29
ゲンロック信号およびシステム位相調整について.....	29
各部の名称と働き.....	30

取付

システム.....	33
取り付けの手順.....	34
本機にKY-F560カメラを取り付ける.....	34
カメラにレンズを取り付ける.....	36
本機を三脚に取り付ける.....	36
本機に4型ビューファインダーVF-P400を取り付ける.....	37

RM-P210接続

リモートコントロールユニットRM-P210を接続する.....	38
RM-P210操作時のご注意.....	40

メニュー画面

"SYSTEM"メニュー画面.....	41
"DISPLAY"メニュー画面.....	42

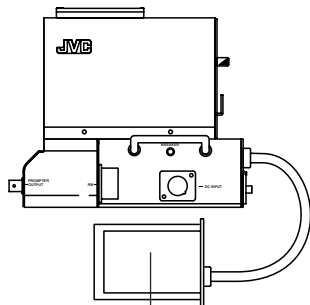
その他

保証とアフターサービス.....	43
仕様.....	44

はじめに

付属品をご確認ください

■スタジオキット本体



中継ボード

■スクリュー1本: KY-F560カメラをスタジオ



キットに固定するために使用
します。

■取扱説明書(本書)

本機を使用するための関連商品

- カラービデオカメラ KY-F560
- 4型ビューファインダー VF-P400
- リモートコントロールユニット RM-P210
- インターカム用ヘッドセット KA-310U
- 26Pinカメラケーブル VC-P110 (5 m)
VC-P112 (20 m)
VC-P113 (50 m)
VC-P114 (100 m)
- リモートコントロールユニットRM-P210を使用しない場合、AC電源は下記のものを使用
してください。
AC電源 AA-P250

} いずれかを
選択します。

※詳細は33ページの「システム」をご覧ください。

正しくお使いいただくためのご注意

- 本機を長い間ご使用いただくために、次のような場所での使用および保管は避けてください。
 - 極端に暑い所や寒い所
 - 激しい振動のある所
 - ほこりの多い所
 - 湿気の多い所
 - 強いノイズの発生源の近く
- 設置、移動時に強い振動や衝撃を与えないでください。
- 本機に電源を入れた状態で、カメラケーブルコネクタを抜き差ししないでください。
- 電源は指定された電源をお使いください。RM-P210より供給またはAA-P250
- 節電のため、使用しないときは電源を切ってください。
- トランシーバーや携帯電話を本機の近くで使用すると、インカムのスピーカーにノイズが入ったり画面にノイズが出ることがありますが、これは故障ではありません。
- インカム使用時、接続システムによっては、誘導ハムの影響を受けるため本機のINTERCOM G(GND)端子を大地アースに接続することをおすすめします。
- カメラケーブルは、指定された標準の長さのものを使用してください。それ以外はカメラケーブル補償が不十分となります。

注意

本機を三脚に取り付けたまま移動すると、本機や三脚に衝撃・振動が加わった場合に、固定部が外れ本機が落下し、けがや事故の原因となることがあります。移動は必ず本機を三脚より外してから行なってください。



ゲンロック信号およびシステム位相調整について

RM-P210リモートコントロールユニットとのシステムで使用した場合、ゲンロック信号はKY-F560カメラおよびRM-P210のどちらからでも入力できます。

ただし、KY-F560とRM-P210の両方にゲンロック信号を入力すると、画面が乱れます。システム位相調整は、ゲンロック信号が入力された機器側で行なってください。

また、RM-LP55接続時は、RM-LP55が最優先となります。

■ RM-P210にゲンロック信号を入力した場合

RM-P210のH、SC調整で位相を調整してください。このシステムでRM-LP55を接続している場合は、RM-LP55で位相を調整してください。

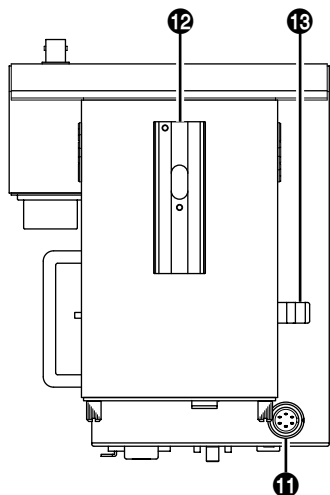
■ KY-F560にゲンロック信号を入力した場合

KY-F560のH、SC調整で位相を調整してください。(RM-P210を接続していても、KY-F560で調整してください。)

RM-LP55を接続している場合は、RM-LP55で位相を調整してください。

はじめに

各部の名称と働き



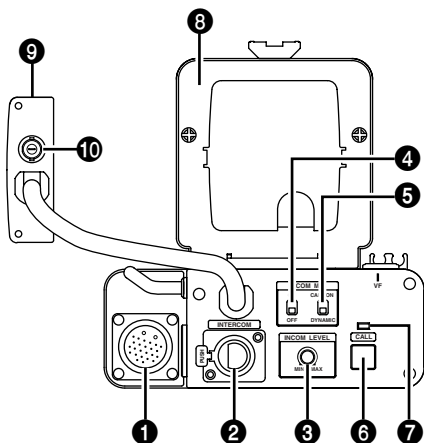
① [RM]RMマルチピンコネクタ(26ピン)

26ピンカメラケーブルを用いて、リモートコントロールユニットRM-P210と接続します。

また、このコネクタを介して、リモートコントロールユニットから本機およびカメラに電源が供給されます。

メモ

カメラ映像信号はコンポジット信号の他にRGBコンポーネント、Y/Cb/Crコンポーネント、YCセパレート信号のいずれかをRM-P210の出力端子から出力します。出力信号は、KY-F560の"SYSTEM"メニュー画面の"OUTPUT"項目で選択します。(※41ページ)



② [INTERCOM] インターカム入力端子 (XLR5ピン)

インターカム用ヘッドセットの入力端子です。当社製ヘッドセットKA-310Uを接続できます。

③ [INCOM LEVEL] インターカム用レシーバーボリューム

インターカム用ヘッドセットのレシーバー音量を調節するボリュームです。

④ [INCOM MIC] インターカム用マイク [ON/OFF] スイッチ

インターカム用ヘッドセットのマイクの [ON/OFF] スイッチです。ヘッドセットのマイクを使用する場合、[ON] に設定してください。

各部の名称と働き(つづき)

⑤ [INCOM MIC]インターカム用マイク [CARBON/DYNAMIC]スイッチ

インターカム用ヘッドセットのマイク型式を選択します。

[CARBON] : カーボン型マイクの場合、この設定にします。

[DYNAMIC] : ダイナミック型マイクの場合、この設定にします。

※当社製ヘッドセットKA-310U接続時には、[CARBON]に設定してください。

⑥ [CALL]コールボタン

インターカム用ヘッドセットを用いないで、リモートコントロールユニットのオペレーターにコール信号を送るとき、このボタンを押します。

このボタンを押している間、リモートコントロールユニットにコール信号を送り、リモートコントロールユニットの[TALLY]ボタンが点滅します。ボタンから指を離すと、コール信号の送信を止め、リモートコントロールユニットの[TALLY]ボタンが消灯します。

⑦ [CALL]インジケーター

リモートコントロールユニット接続時、

⑥[CALL]ボタンを押している間、点灯します。[CALL]ボタンから指を離すと、消灯します。

⑧ カメラ取り付け用フレーム

このフレームを外して、KY-F560カメラを取り付けます。

⑨ 中継ボード

KY-F560カメラと接続するためのボードです。KY-F560背面部のスロット部に取り付けます。

⑩ [SDI]SDI出力端子…KA-F5603Uのみ

カメラ映像をSDI信号で出力します。

ご注意

故障を防ぐため、ケーブルを接続するとき以外は、この端子に触れないでください。

⑪ [VF]ビューファインダー端子(6ピン)

ビューファインダーからのケーブルを接続します。

⑫ ビューファインダーホルダー

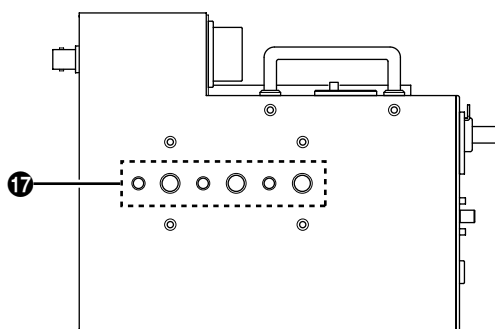
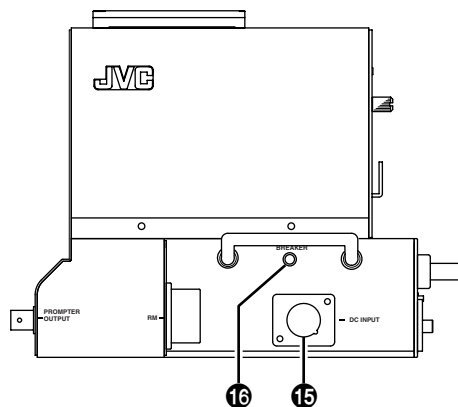
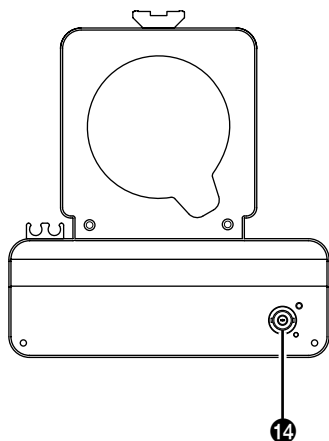
4型ビューファインダーVF-P400を取り付けます。

⑬ レンズケーブルクランプ

レンズケーブルを固定するためのクランプです。

はじめに

各部の名称と働き(つづき)



14 [PROMPTER OUTPUT]プロンプター出力端子(BNC)

リモートコントロールユニットの[AUX]入力端子に入力された信号(プロンプタービデオ信号)をRMマルチピンコネクタを介して、この端子から出力します。コンポジット信号で出力します。ビデオモニターに接続します。

15 [DC INPUT]DC電源入力端子(XLR4ピン)

リモートコントロールユニットRM-P210を接続しない場合、この端子にDC電源を入力します。電源は、AA-P250を使用してください。

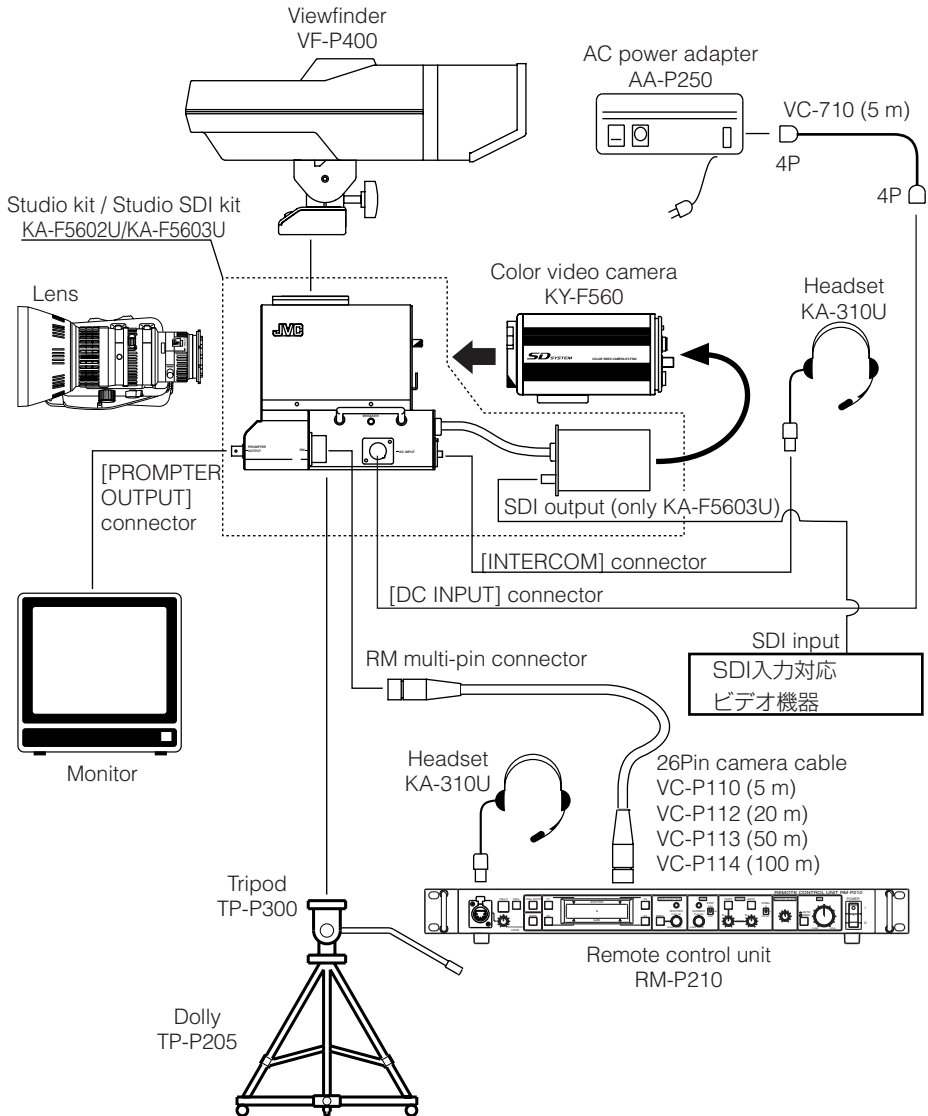
16 [BREAKER]ブレーカースイッチ

消費電力が容量オーバーしたとき、ブレーカーが切れます。ブレーカーが切れた場合は、何か異常があって定格電力を越えていないかを確認した後、異常がなければブレーカーを押し、次に電源を再投入してください。それでも、正常動作しない場合は、お買い上げ販売店または最寄りのビクターサービス窓口にご相談ください。

17 三脚取り付け用ネジ孔

取付

システム



- レンズおよびレンズリモコンはKY-F560取扱説明書をご覧ください。
- 26Pin カメラケーブルは、100 m以内でお使いください。
- リモートコントロールユニットRM-P210を使用したとき、電源は26Pinカメラケーブルを介してRM-P210から供給されます。リモートコントロールユニットRM-P210を使用しない場合、電源はAA-P250 AC power adapterを使用してください。

取付

取り付けの手順

1. 本機にKY-F560カメラを取り付けます。



2. カメラにレンズを取り付けます。



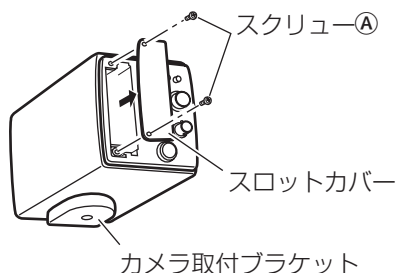
3. 本機を三脚に取り付けます。



4. 本機に4型ビューファインダー(VF-P400)を取り付けます。

本機にKY-F560カメラを取り付ける

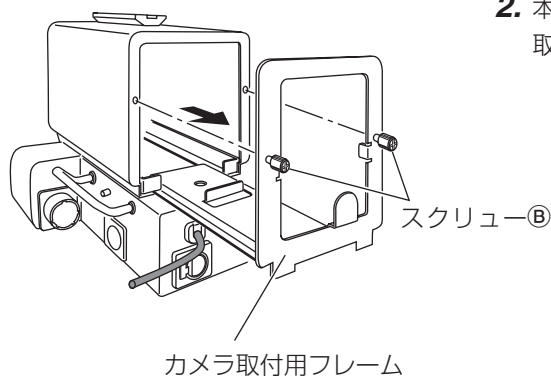
1.



1. KY-F560カメラに対する取付の準備作業を行います。

- KY-F560カメラにレンズが付いている場合は、レンズを外しておきます。
- カメラ取付ブラケットは、カメラの底面に取り付けた状態にします。
- カメラ背面部のスクリュー①2本を外し、スロットカバーを外します。

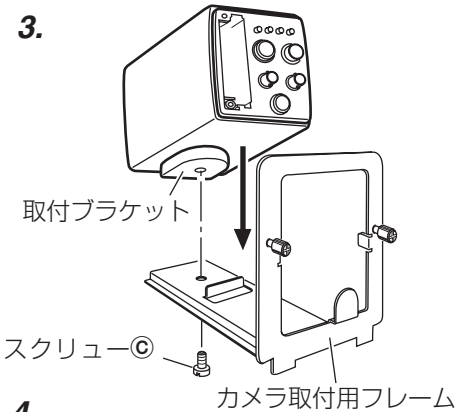
2.



2. 本機のスクリュー②2本をゆるめ、カメラ取付用フレームを引き出します。

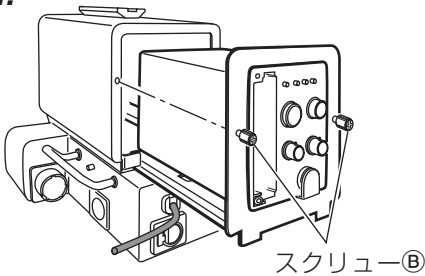
本機にKY-F560カメラを取り付ける(つづき)

3.



3. カメラ取付用フレームにカメラを置き、本機に付属のスクリュー③を用いてフレーム底面部にカメラを固定します。カメラ底面部の取付ブラケットのネジ孔を用いて固定します。

4.

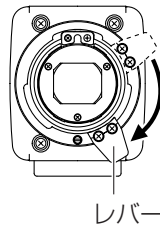


4. カメラを取り付けたフレームを本機に挿入し、上記手順2.でゆるめたスクリュー④2本を用いて本機に固定します。

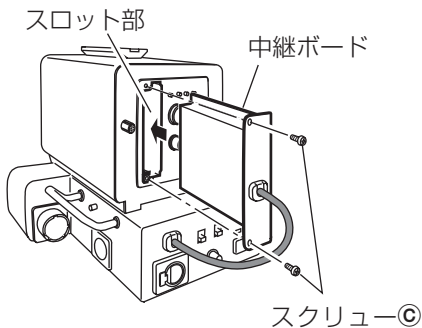
メモ

- カメラのレンズマウントキャップは事前に取りはずしてください。
- カメラ取付フレームを本機に挿入するとき、カメラ前面部のレンズ固定用

レバーを時計方向に回し、レバーを下側の位置にしてください。レバーが上側にあると、フレームを挿入したとき、レバーが本機にぶつかり挿入できなくなります。



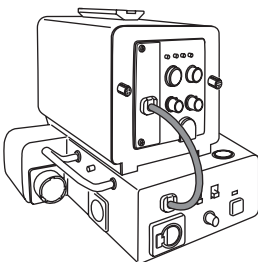
5.



5. 本機の中継ボードをカメラ背面のスロット部に挿入し、上記手順1.で外したスクリュー⑤2本を用いてカメラに固定します。

メモ

中継ボードは奥まで確実に挿入してください。



取付

カメラにレンズを取り付ける

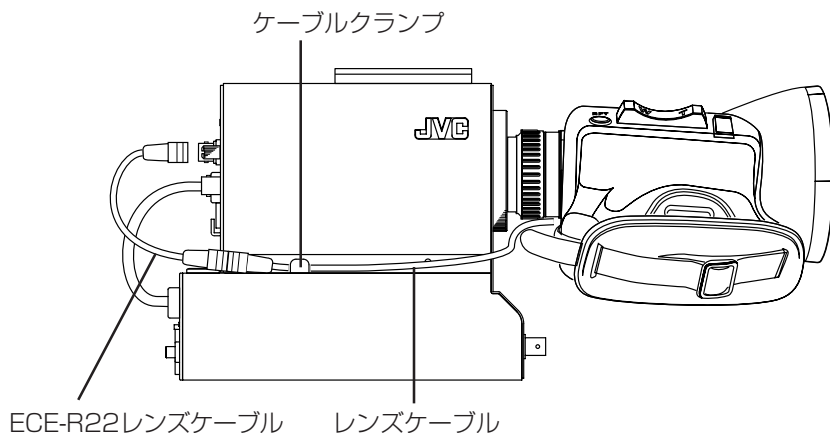
レンズの取付方法は、KY-F560取扱説明書をお読みください。

- 下記のズームレンズを使用する場合は、別売のレンズケーブルECE-R22が必要です。(ケーブルの詳細は、最寄りのビクターサービス窓口にご相談ください。)

S17 x 6.6 BRM(FUJINON)

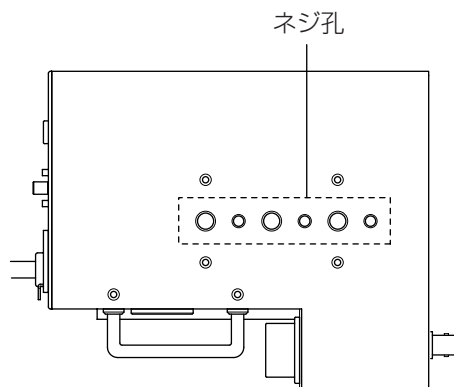
YH16 x 7K12U(CANON)

- レンズケーブルは本機のケーブルクランプに固定してください。

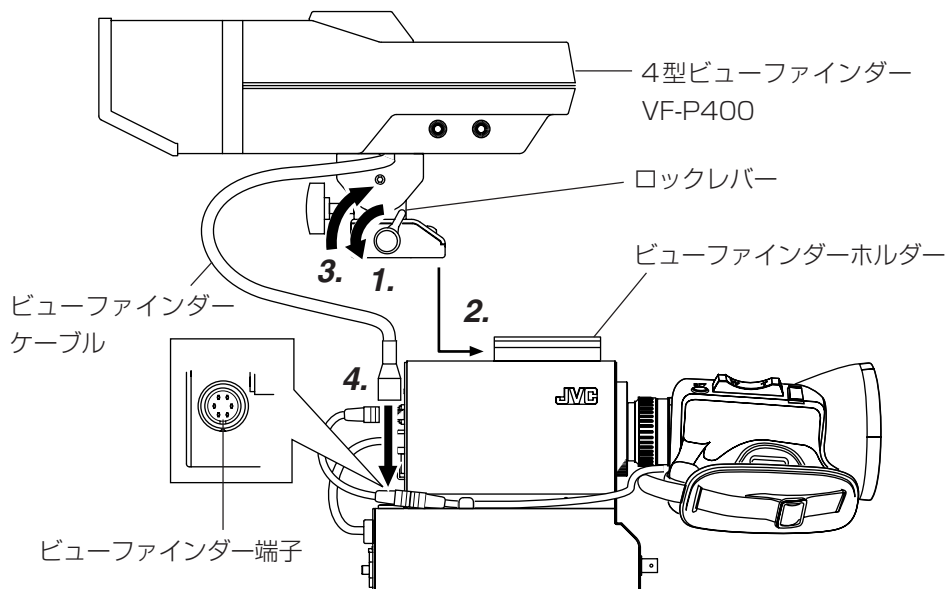


本機を三脚に取り付ける

本機底面部のネジ孔を使って三脚に取り付けます。複数のネジ孔を備えていますので、本機のバランスがとれる位置のネジ孔を使って三脚に取り付けてください。



本機に4型ビューファインダーVF-P400を取り付ける



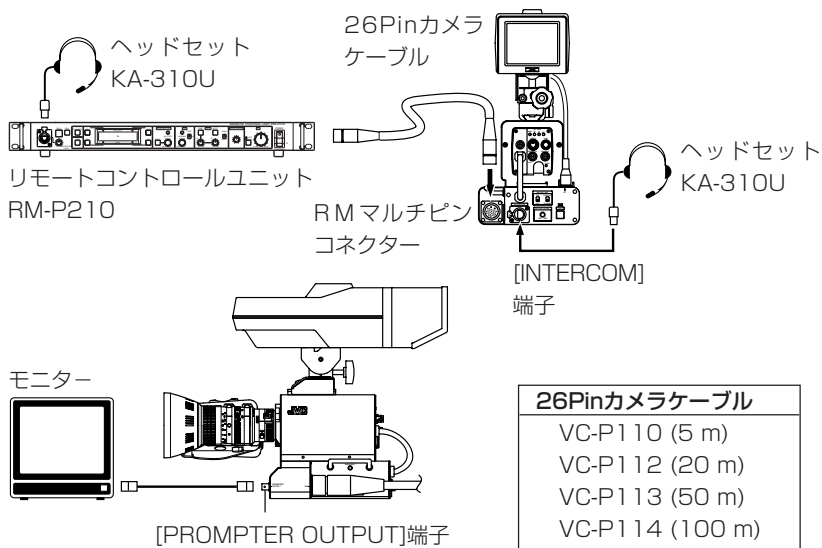
1. ビューファインダーのロックレバーを反時計方向に回してロックレバーをゆるめます。
2. ビューファインダーを本機上面部のビューファインダーホルダーのガイドに沿わせて、前方にスライドさせます。
3. ビューファインダーのロックレバーを時計方向に回して固定します。
4. ビューファインダーケーブルのコネクターを本機のビューファインダー端子に接続します。

メモ

KY-F560の"SYSTEM"メニュー画面の"ASPECT RATIO"項目を"16:9"に設定したとき、ビューファインダーVF-P400には縦長の映像が表示されます。

RM-P210接続

リモートコントロールユニットRM-P210を接続する



接 続

接続はRM-P210の電源を切ってから行なってください。

- 本機のRMマルチピンコネクターとRM-P210を26Pinカメラケーブルで接続します。カメラケーブル長は100 m以内でお使いください。
- インターカム用ヘッドセットを使用する場合は、[INTERCOM]端子にヘッドセットKA-310Uを接続します。
- RM-P210からのプロンプタービデオ(RM-P210の[AUX VIDEO INPUT]端子の入力信号)を確認する場合は、本機前面部の[PROMPTER OUTPUT]端子とモニターをBNCケーブルで接続します。

メモ

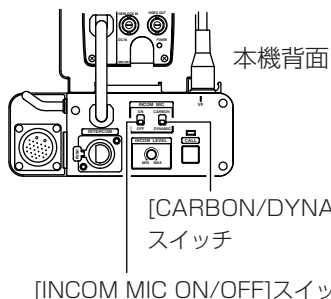
本機およびカメラへの電源は26Pinカメラケーブルを介してRM-P210から供給されます。

設 定

■メニュー画面の設定

- RMマルチピンコネクターからはコンポジット信号を常時出力します。その他RGBコンポーネント、Y/Cb/Crコンポーネント、YCセパレート信号のいずれかを出力します。出力信号は"SYSTEM"メニュー画面の"OUTPUT"項目で選択します。
- RGBコンポーネント信号出力時、G信号にSYNC信号を付けるかどうかを"SYSTEM"メニュー画面の"SYNC ON G"項目で選択します。

リモートコントロールユニットRM-P210を接続する(つづき)



■スイッチの設定

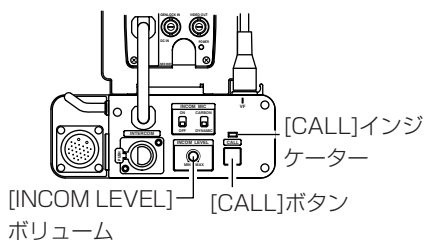
- インターカム用ヘッドセットのマイクの型式に応じて、[CARBON/DYNAMIC]選択スイッチを設定します。(当社製のヘッドセットKA-310Uを接続したときは、[CARBON]に設定してください。)
- インターカム用ヘッドセットのマイクを使用するかどうかを[INCOM MIC ON/OFF]スイッチで設定します。[ON]に設定するとヘッドセットのマイクが使用可能となります。

操 作

- カメラリモートコントロールユニットの[POWER]スイッチを[ON]にします。[POWER]スイッチを[ON]にしてから、約30秒程度経過後、カメラリモートコントロールユニットの操作が可能になります。

メモ

カメラリモートコントロールユニットは[POWER]スイッチが[ON]になった後、30秒間、本機との通信が正常に動作するよう準備します。



- 本機の[CALL]ボタンを押している間、リモートコントロールユニットのオペレーターにコール信号を送信し、リモートコントロールユニットの[TALLY]ボタンが点滅します。その間、本機の[CALL]インジケータが点灯します。リモートコントロールユニットからのコール信号を受信するとビューファインダーの[TALLY]ランプが点滅します。
- ヘッドセットの受信音量は[INCOM LEVEL]ボリュームで調節できます。

メモ

- 本機(カメラを含む)とリモートコントロールユニットのスイッチ機能が同じ場合は、リモートコントロールユニットのスイッチ機能が優先されます。
- ローカルリモートコントロールユニット(RM-LP55またはRM-LP57)と同時に使用した場合、ローカルリモートコントロールユニットの設定が優先します。
- 同期信号をカメラとカメラリモートコントロールユニットの両方に入れると画面が乱れます。(「ゲンロック信号およびシステム位相調整について」:P.29ページ)
- 外部同期信号を入力したまま、電源をONにすると、数秒間画面が上下にゆれますが故障ではありません。
- ご使用时、リモートコントロールユニットの取扱説明書をお読みください。

RM-P210接続

RM-P210操作時のご注意

RM-P210のメニュー操作でKY-F560カメラを設定するとき、一部のメニュー項目において、RM-P210のメニュー設定表示とKY-F560の動作が一致しない点があります。

RM-P210メニュー			KY-F560の動作
No.	項目	可変値	
4G	■ "PROCESS"画面 "KNEE POINT" (オートニーOFF時の ニーポイント設定)	10 } NORMAL } -10	ニーポイントは次のように変わります。 NORMAL : 100 % (最大レベル) } } -10 : 80 % (最小レベル) マイナス側の2ステップで5 %ずつレベル が変わります。 プラス側(1~10)に設定しても、ニーポ イントは変化しません。
4K	"GAMMA LEVEL" (ガンマカーブの補正)	10 } NORMAL } -10	2ステップで1段階ずつレベルが変わり ます。 (-5~NORMAL~5)
5B	■ "OPERATION"画面 "V,GAIN STEP" (バリアブルゲインのス テップ設定)	0.1 dB 1.0 dB	0.1 dBに設定したとき、RM-P210の [VARIABLE GAIN]つまみを回すと、レ ベルが0.2 dBステップで変わります。 1.0 dBに設定したときは、1 dBステッ プで変わります。

メニュー画面

KY-F560カメラを本機に装着すると、KY-F560のメニュー画面に新規のメニュー項目やメニュー画面が追加されます。

ここでは、新規追加のメニュー項目およびメニュー画面の内容を説明します。

メニュー画面の設定方法については、KY-F560の取扱説明書をご覧ください。

"SYSTEM"メニュー画面

"SYSTEM"メニュー画面に下記の項目が追加されます。

太字は工場出荷設定

項目	機能・可変値
"OUTPUT"	RMマルチピンコネクタからはコンポジットビデオ信号の他に、もう種類の映像信号を出力することができます。その出力信号を選択します。 "Y/Cb/Cr" : Y/Cb/Crコンポーネント信号を出力します。 "RGB" : RGBコンポーネント信号を出力します。 "SYNC ON G"項目でG信号にSYNC信号を付けるかどうかを選択できます。 "Y/C" : YCセパレート信号を出力します。
"SYNC ON G"	RGBコンポーネント信号のG信号にSYNC信号を付けるかどうかを選択します。 この項目は、"OUTPUT"項目の設定を"RGB"にしたときのみ設定できます。 "ON" : SYNC信号を付けます。 "OFF" : SYNC信号を付けません。

メニュー画面

"DISPLAY"メニュー画面

"DISPLAY"メニュー画面が新たに追加されます。

太字は工場出荷設定

項目	機能・可変値
"CHARACTER"	ビューファインダーにキャラクター表示するかどうかを選択します。 "OFF" : キャラクターを表示しません。 "ON" : キャラクターを表示します。 次の項目でキャラクター表示の有無を個別に設定できます。 ※ この項目を"ON"に設定しても、個別のキャラクター項目の設定を"OFF"に設定すると、そのキャラクターは表示されません。
"F NO."	レンズアイリスのF値をビューファインダーに表示するかどうかを選択します。 "OFF" : 表示しません。 "ON" : 表示します。
"SAFETY ZONE"	ビューファインダーへのセーフティゾーン表示の有無および表示スタイルを選択します。 "OFF" : 表示しません。 " NORMAL " : アスペクト比4:3のセーフティゾーンを表示します。 "16:9" : アスペクト比16:9のセーフティゾーンを表示します。
"CENTER MARK"	セーフティゾーンを表示したとき、センターマークを表示するかどうかを選択します。 "OFF" : 表示しません。 "ON" : 表示します。
"TALLY"	リモートコントロールユニットRM-P210背面部の[TALLY]端子に信号が入力されたとき、ビューファインダーの[TALLY]ランプを点灯させるかどうかを選択します。 "OFF" : 点灯しません。 "ON" : 点灯します。

その他

保証とアフターサービス

保証書の記載内容ご確認と保存について

この商品には保証書を別途添付してあります。保証書はお買い上げ販売店でお渡ししますので、所定事項の記載および記載内容をご確認いただき、大切に保存してください。

■ 保証期間について

保証期間はお買い上げ日より1年間です。

以後は有償修理となります。

保証書の記載内容によりお買い上げ販売店が修理いたします。

なお、修理保証以外の補償はいたしかねます。

故障その他による営業上の機会損失は致しません。

その他詳細は保証書をご覧ください。

■ 保証期間経過後の修理について

保証期間経過後の修理については、お買い上げ販売店にご相談ください。修理によって機能が維持できる場合は、お客様のご要望により有料にて修理いたします。

■ アフターサービスについてのお問い合わせ先

アフターサービスについてご不明の点は、お買い上げ販売店または別紙業務機器ビクターサービス窓口案内をご覧くださいの上、最寄りの業務機器ビクターサービス窓口にご相談ください。

■ 商品廃棄について

この商品を廃棄する場合は、法令や地域の条例に従って適正に処理してください。


■ 修理を依頼されるときは

調子が悪いときは、この取扱説明書をもう一度ご覧になってお調べください。簡単な調整で直ることがあります。それでも具合が悪いときは、お買い上げ販売店またはビクターサービスにご相談ください。

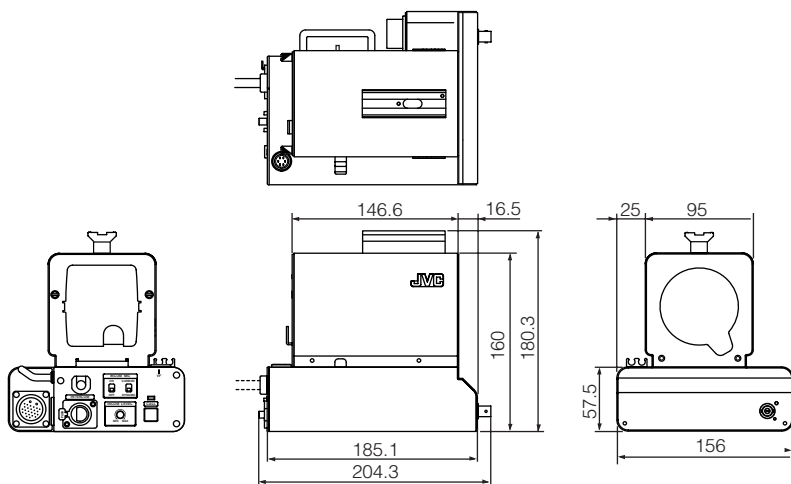
- 機種名: KA-F5602U/KA-F5603U
- 故障の状態をできるだけ詳しく:
- ご購入年月日:
- ご住所、ご氏名、電話番号:

その他

仕様

RMマルチピンコネクター	: コンポジットビデオ信号出力 (Y/Cb/Cr、RGB、YCセパレートのいずれかの出力信号を選択可)
PROMPTER出力	: プロンプタービデオ信号出力(コンポジット信号)
SDI出力	: シリアルデジタル映像信号(SMPTE259M準拠) 0.8 V(p-p), 75 Ω不平衡(KY-F5603Uのみ)
使用温度範囲	: -5 °C~40 °C(湿度80%以下)
許容保存温度範囲	: -20 °C~60 °C
入力電源電圧	: DC12 V 
消費電力	: KA-F5602U 最大17 W (KY-F560,VF-P400,レンズ使用時) KA-F5603U 最大18 W (KY-F560,VF-P400,レンズ使用時)
外形寸法	: (W) 156 mm x (H) 180.3 mm x (D) 185.1 mm(突起部含まず)
質量	: 約1.8 kg
付属品、添付物	: スクリュー x1 取扱説明書 x1

外形寸法図(単位:mm)



本機の仕様および外観は、改善のため予告なく変更することがあります。

メモ

A series of horizontal dotted lines for writing notes, spanning the width of the page.

お客様ご相談センター

フリーダイヤル



0120-2828-17

携帯電話・PHS・FAXなどからのご利用は

電話 **(03)5684-9311** [代表]

FAX **(03)5684-9317**

〒113-0033 東京都文京区本郷3丁目14-7 ビクター本郷ビル

日本ビクター株式会社
プロシステムカンパニー

〒192-8620 東京都八王子市石川町2969-2 電話 (0426) 60-7245

KA-F5602U/KA-F5603U
STUDIO KIT/STUDIO SDI KIT

JVC[®]

JVC[®] is a registered trademark owned by Victor Company of Japan, Limited
JVC[®] is a registered trademark in Japan, the U.S.A., the U.K. and many other countries.
© 2004 Victor Company of Japan, Limited

Printed in Japan
LWT0176-001B