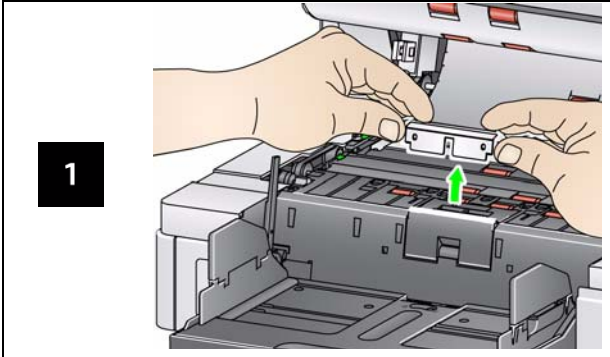
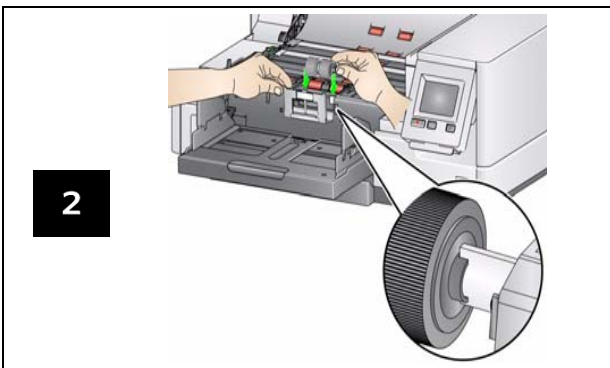
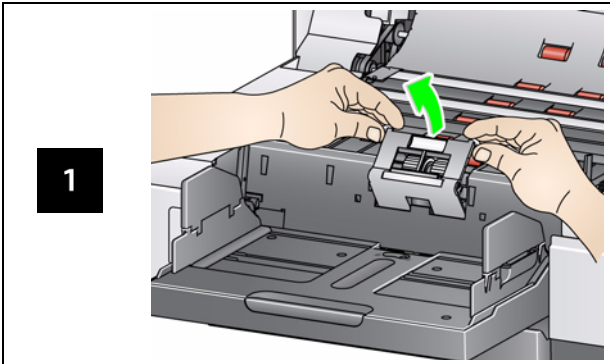


**Replace pre-separation pad
Replace separation roller**

Pre-separation Pad



Separation Roller



See the User's Guide for feed module replacement procedures.

Supplies and Accessories

CAT No.	Description
832 7538	Feeder Consumables Kit
838 7938	Extra-Large Feeder Consumables Kit
146 2415	Extra-Extra-Large Feeder Consumables Kit
834 8054	Image Guide Set (without Printer)
871 4438	Image Guide Set (with Printer)
808 8239	Flippable Background (without Printer)
800 0853	Flippable Background (with Printer)
896 5519	Staticide Wipes for <i>Kodak</i> Scanners
169 0783	Transport Cleaning Sheets
853 5981	Roller Cleaning Pads
125 7633	Printer Ink Blotters
818 3386	Enhanced Printer Black Cartridge
159 6832	Enhanced Printer Red Cartridge
CAT No.	Accessories
844 5280	Feeder Kit for Ultralightweight Paper
140 8756	Enhanced Printer Accessory
167 3953	Manual Feed Shelf (i5200/i5600 Scanners)
169 4256	Manual Feed Shelf (i5800 Scanner)
Part No.	Accessories
5E4754	66.04 cm (26 in.) document extender
9E3216	76.2 cm (30 in.) document extender
9E5277	86.36 cm (34 in.) document extender
9E5146	Enhanced Printer: Ink Cartridge Carrier

To order supplies, contact your reseller, or go to <http://scannerstore.kodak.com>

Part numbers must be ordered from Parts Services. In the United States call: 1-800-431-7278

EASTMAN KODAK COMPANY
343 State Street
Rochester, NY 14650 U.S.A.
A-61669 / Part #5K0140 June, 2011
© Eastman Kodak Company, 2011
TM: Kodak



i5000 Series Scanners



Reference Guide

The illustrations in this guide may look different than your scanner model. However, the procedures are the same, unless otherwise noted.

Kodak Service & Support

www.kodak.com/go/disupport

1.800.822.1414

(US&C only; all other regions, contact your local Kodak Support Center)

When contacting support, have the following available:

- A description of your problem
- Scanner model and serial number
- Computer configuration
- Software application you are using

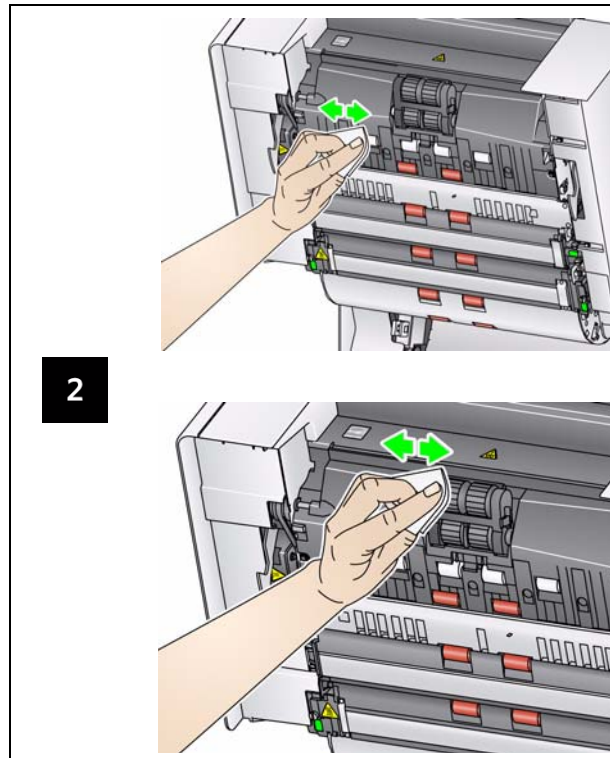
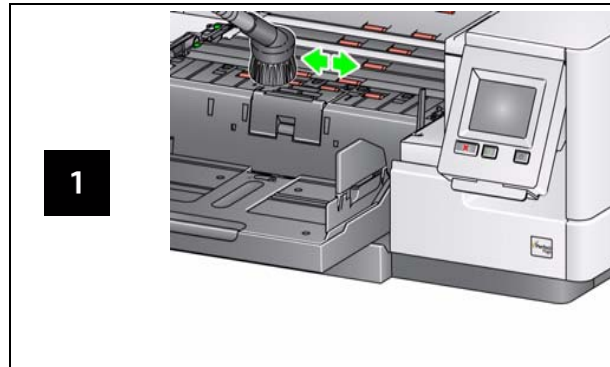
Cleaning Frequency Chart

Procedure	Start of day	Middle of Shift	Start of new shift
1 Vacuum output tray and input areas (input elevator and transport)	x		
2 Clean all rollers; including feed module	x		x
3 Run transport cleaning sheet	x		x
4 Clean imaging guides	x	x	x

IMPORTANT:

- ❑ The Roller Cleaning Pad contains sodium lauryl ether sulfate which can cause eye irritation. Refer to the MSDS for more information.
- ❑ Staticide Wipes contain isopropanol which can cause eye irritation and dry skin. Wash your hands with soap and water after performing maintenance procedures. Refer to the Material Safety Data Sheet (MSDS) for more information (www.kodak.com/go/MSDS).

Cleaning the transport and rollers



Running a cleaning sheet and cleaning the imaging guides

