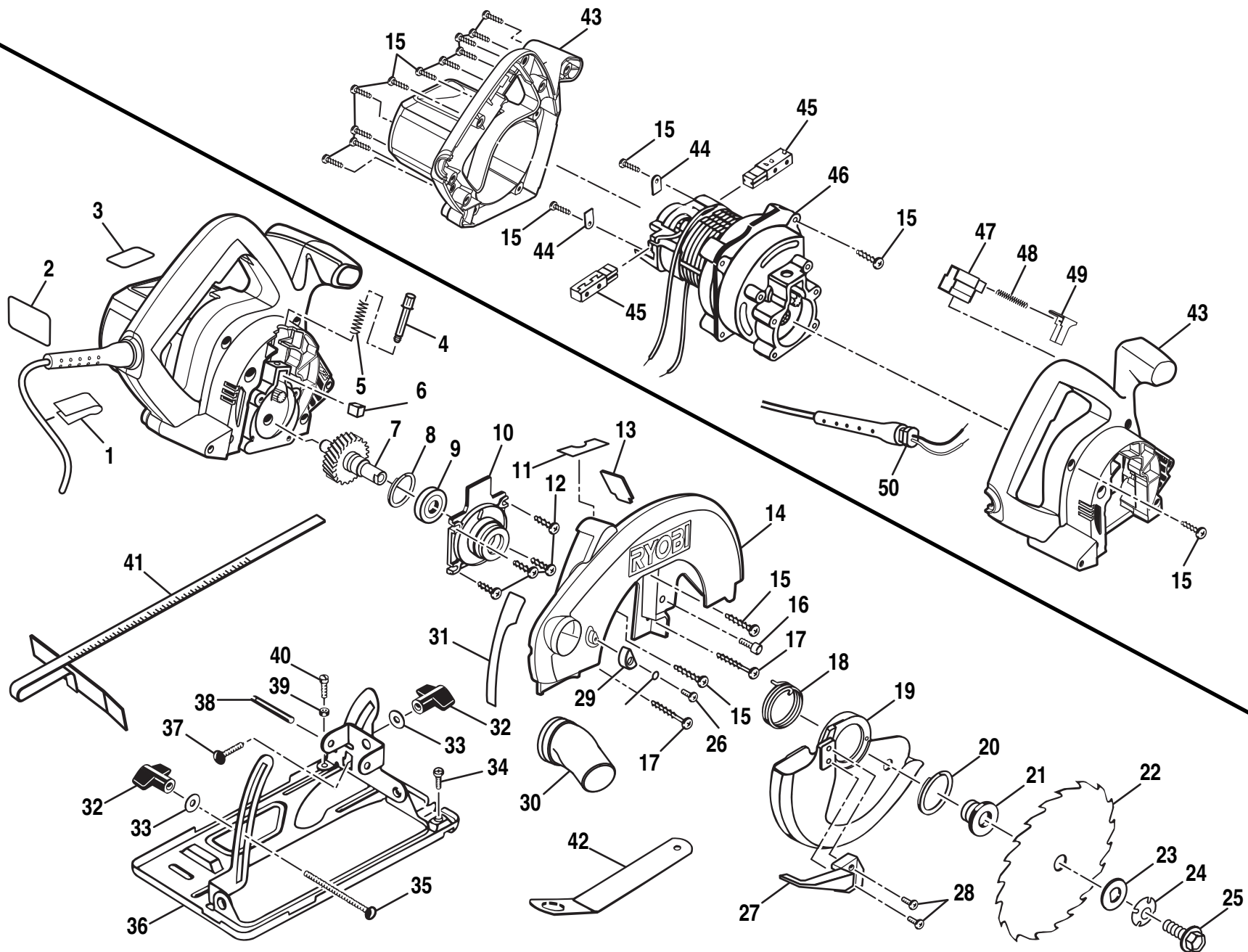


RYOBI CIRCULAR SAW – MODEL NUMBERS CSB130 AND CSB130JS



⚠ WARNING: Improper repair of a double insulated tool can result in damages to the double insulation system possibly causing electrical shock or electrocution. Any repairs requiring disassembly of your tool requires safety testing and should only be performed by an Authorized Service Center or other qualified service organization.

RYOBI CIRCULAR SAW – MODEL NUMBERS CSB130 AND CSB130JS

The model number will be found on a plate attached to the motor housing. Always mention the model number in all correspondence regarding your **CIRCULAR SAW** or when ordering repair parts.

PARTS LIST

Key No.	Part Number	Description	Quan.	Key No.	Part Number	Description	Quan.
1	980648-001	CORD TAG	1	27	976906-002	BLADE GUARD HANDLE	1
2	980475-001	DATA PLATE (MODEL CSB130)	1	28	615954-003	SCREW (#8-18 X 3/8 IN. PAN HD. T. F.) ...	2
	976984-001	DATA PLATE (MODEL CSB130JS)	1	29	976907-001	BUMPER	1
3	976985-001	LOGO PLATE (MODEL CSB130)	1	30	976909-001	DUST NOZZLE (MODEL CSB130JS)	1
	980476-001	LOGO PLATE (MODEL CSB130JS)	1	31	976989-001	SCALE DECAL	1
4	976987-001	GEAR RACK SHAFT	1	32	979848-001	ADJUSTMENT KNOB	2
5	621342-000	SPRING	1	33	931744-059	WASHER	2
6	968906-001	GEAR RACK	1	34	969778-001	SCREW (#10-32 X 3/8 IN. PAN HD. COMB.) (MODEL CSB130JS)	1
7	968308-010	GEAR AND SPINDLE	1	35	621433-018	CARRIAGE BOLT (1/4-20 X 3-3/4 IN.)	1
8	617096-002	RETAINING RING	1	36	974802-002	BASE ASSEMBLY	1
9	968305-007	BALL BEARING (NTN#6003LLBC3/1E) ...	1	37	621433-001	CARRIAGE BOLT (1/4-20 X 5/8 IN.)	1
10	968091-002	LOWER BLADE GUARD SUPPORT	1	38	941401-004	ROLL PIN	1
11	976986-001	SPINDLE LOCK DECAL	1	39	706404-007	HEX NUT (#8-32)	1
12	974999-001	SCREW (#10-16 X 3/4 IN. PAN HD.)	4	40	614658-010	SCREW (#8-32 X 3/8 IN. PAN HD.)	1
13	976988-001	SHIELD	1	41	969862-009	EDGE GUIDE (MODEL CSB130JS)	1
14	977500-001	UPPER BLADE GUARD ASSEMBLY	1	42	974716-001	WRENCH (9/16 IN.)	1
15	968702-011	SCREW (#8-16 X 3/4 IN. PAN HD.)	17	43	974547-002	HOUSING ASSEMBLY	1
16	968526-001	SCREW (#10-32 X 3/8 IN. SOCKET HD.)..	1	44	617800-002	BRUSH TUBE CLAMP	2
17	617966-023	SCREW (#8-10 X 2-5/8 IN. PAN HD.)	3	45	968304-009	BRUSH TUBE ASSEMBLY	2
18	967952-001	TORSION SPRING	1	46	969807-004	MOTOR MODULE ASSEMBLY (INCLUDES ONE OF KEY NO. 15)	1
19	974771-002	LOWER BLADE GUARD	1	47	968303-103	SWITCH	1
20	718602-804	RETAINING RING	1	48	974565-001	COMPRESSION SPRING	1
21	967887-003	INNER FLANGE BUSHING	1	49	974545-002	SWITCH TRIGGER	1
22	972443-002	BLADE	1	50	999506-008	CORD	1
23	998463-001	OUTER BLADE WASHER	1	51	980372-001	CARRYING CASE - NOT SHOWN (CSB130JS AND CSB130K)	1
24	623547-002	SPRING WASHER	1				
25	612999-001	BLADE SCREW (3/8-16 X 3/4 IN. WASHER HD.)	1				
26	090404-080	SCREW M4 X 8 PAN HD.	1				
					972000-508	OWNER'S MANUAL	
					1-00		

RYOBI CIRCULAR SAW – MODEL NUMBERS CSB130 AND CSB130JS

WIRING DIAGRAM