

SNAPPER™

by

Briggs & Stratton®
POWER PRODUCTS

G1000

Illustrated Parts List



Snapper™ is a licensed trademark of Briggs & Stratton Power Products.

Snapper™ se usa abajo licencia a Briggs & Stratton Power Products.

Questions? Help is just a moment away!

Preguntas? La ayuda es justa un momento lejos!

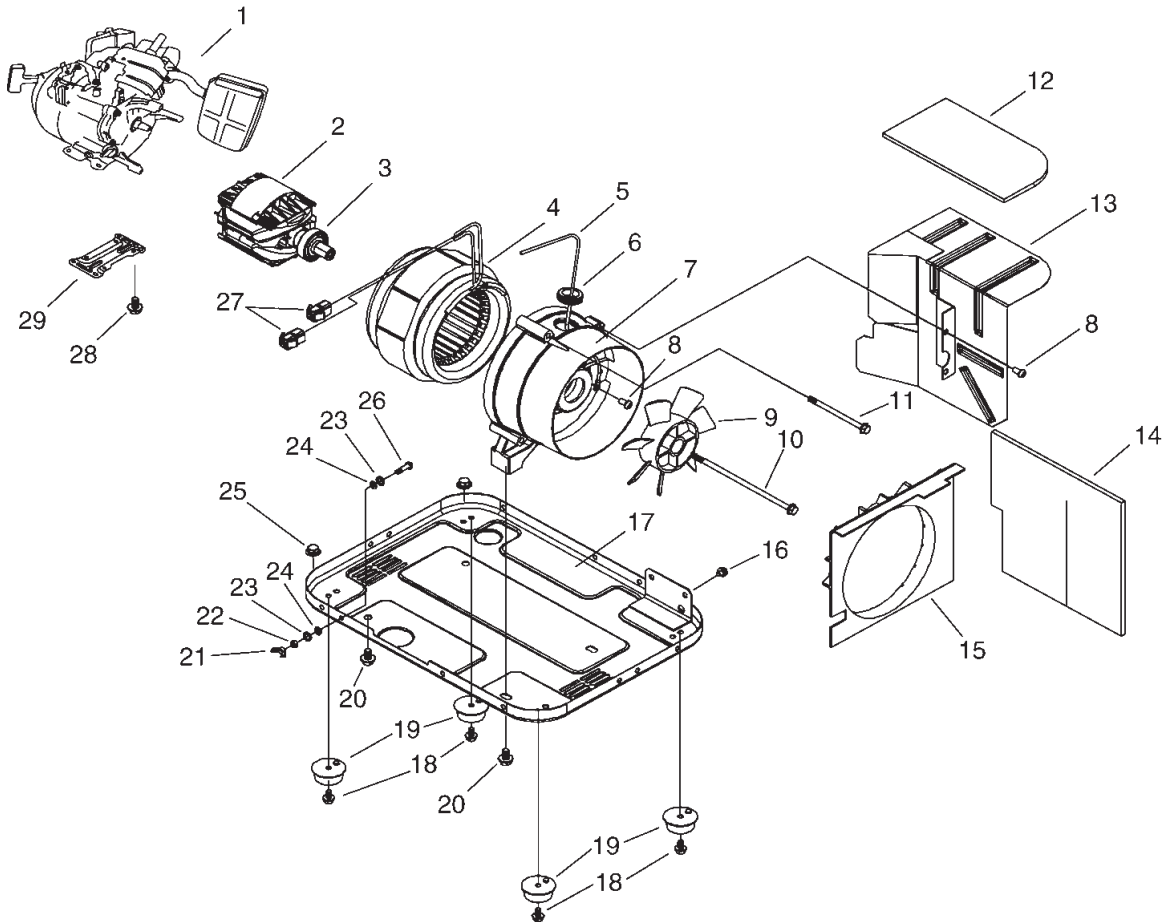
Call: Generator Helpline - 1-800-317-7833 M-F 8-5 CT

Llamada: Generador Helpline - 1-800-317-7833 M-F 8-5 CT

BRIGGS & STRATTON POWER PRODUCTS GROUP, LLC
JEFFERSON, WISCONSIN, U.S.A.

Model No. 01666-1 (1000 Watt AC Generator) Manual No. 196735A Revision 0 (02/07/2005)

EXPLODED VIEW AND PARTS LIST – MAIN UNIT



Item	Part #	Description	Item	Part #	Description
1	§	ENG, 2.4HP (050032-0113-E1)	16	187392GS	PHMS, M6-1.0, W/L/FW
2	187378GS	ROTOR	17	187383GS	BASE, GEN
3	187411GS	BRG	18	187390GS	BOLT, FLNG, M6-1.0 X 10
4	187379GS	STATOR	19	187385GS	MNT, VIBR
5	187430GS	LEAD, GREEN	20	187427GS	HHCS, FLNG, M8-1.25 X 12
6	187409GS	BUSHING, LEAD WIRE, G790B	21	187424GS	NUT, WING, M5 X 0.8
7	187381GS	RBC, 1K	22	187423GS	NUT, M5 X 0.8
8	187399GS	SCREW, SELF TAP, M6-12	23	187419GS	WSHR, LOCK
9	187382GS	FAN, COOLING	24	187420GS	WSHR, FLAT
10	187388GS	BOLT, RTR	25	187401GS	NUT, M8-1.25, FLANGE
11	187389GS	BOLT, STATOR	26	187415GS	PHMS, M5-0.8 X 20
12	187405GS	INSLTN, HEAT SEALED, #1	27	187413GS	CNNCTR
13	187384GS	MFFLR, SEALED	28	187434GS	HHCS, FLNG
14	187407GS	INSLTN, HEAT SEALED, #2	29	187431GS	STND, ENG
15	187403GS	DUCT, AIR			

§ - Contact Engine Manufacturer

