



PERFECT HEAT.™

# THE PROFESSIONAL RDS RANGE

Use and Care Guide



## MODELS:

RDS-305	RDS-484GG
RDS-366	RDS-485GD
RDS-364GL	RDS-486GL
RDS-364GD	RDS-486GD



# A MESSAGE TO OUR CUSTOMERS

---

Thank you for selecting this DCS Dual Fuel Range. Because of this appliance's unique features we have developed this Use and Care Guide. It contains valuable information on how to properly operate and maintain your new appliance for years of safe and enjoyable cooking.

To help serve you better, please fill out and submit your Ownership Registration Card by visiting our website at [www.dcsappliances.com](http://www.dcsappliances.com) and selecting "Customer Service" on the home page and then select "Ownership Registration" or submit the enclosed Ownership Registration Card to the address below. In addition, keep this guide handy, as it will help answer questions that may arise as you use your new appliance.

For your convenience, product questions can be answered by a DCS Customer Service Representative by phone: 1-888-281-5698, Fax: 714-372-7004, email: [support@dcsappliances.com](mailto:support@dcsappliances.com), or by mail:

DCS

Attention: Customer Service

5800 Skylab Road

Huntington Beach, CA 92647

[www.dcsappliances.com](http://www.dcsappliances.com)

---

## **WARNING**

*If the information in this manual is not followed exactly, a fire or explosion may result causing property damage, personal injury or death. Do not store or use gasoline or other flammable vapors and liquids in the vicinity of this or any other appliance.*

---

## **WARNING**

*To reduce the risk of injury to persons in the event of a rangetop grease fire, observe the following: Smother flames with a close-fitting lid, cookie sheet, or metal tray, then turn off the burner. Be careful to prevent burns. If the flames do not go out immediately evacuate and call the fire department. Never pick up a flaming pan - You may be burned. DO NOT USE WATER, including wet dishcloths or towels - a violent steam explosion will result. Use an extinguisher ONLY if:*

- 1) You know you have a Class ABC extinguisher, and you already know how to operate it.*
- 2) The fire is small and contained in the area where it started.*
- 3) The fire department is being called.*
- 4) You can fight the fire with your back to an exit.*

## **FOR YOUR SAFETY**

*If You Smell Gas:*

- Do not try to light any appliance.*
- Do not touch any electrical switch; do not use any phone in your building.*
- Immediately call your gas supplier from a neighbor's phone. Follow the gas supplier's instructions.*
- If you cannot reach your gas supplier, call the fire department.*
- Installation and service must be performed by a qualified installer, service agency or the gas supplier.*

**PLEASE RETAIN THIS MANUAL FOR FUTURE REFERENCE.**

# TABLE OF CONTENTS

<b>SAFETY PRACTICES</b> .....	3-5
<b>MODEL IDENTIFICATION</b> .....	6
<b>BEFORE USING YOUR APPLIANCE</b> .....	7-8
<b>COOKTOP USE</b> .....	9-12
Burner Use .....	9
Burner Efficiency and Flame Characteristics .....	10
Wok Ring .....	11-12
<b>GRILL USE</b> .....	12-13
<b>GRIDDLE USE</b> .....	14-15
<b>OVEN USE</b> .....	15-25
Convection Baking .....	16
Regular Baking .....	16
Broiling .....	16
Converting Recipes to Convection Baking .....	16
Selecting Utensils for Convection Baking .....	16-17
Preheating .....	18
Setting Oven for Baking .....	18
Oven Racks .....	18-19
Broiling .....	20-21
Slow Cooking / Low Temperature Cooking .....	21
Suggested Temperatures to Keep Food Hot .....	22
<b>PROOFING AND SELF-CLEANING MODES</b> .....	23-25
Setting the 12" Oven for Proofing .....	23
Oven Door Lock During Self-clean .....	24
Before Self-cleaning the Oven .....	24
Oven Rack Slide Assembly .....	24
Setting the Oven for Self-clean .....	25
At the End of the Clean Cycle .....	25
<b>CARE AND MAINTENANCE</b> .....	26-30
Cleaning Range, Cooktop, Burners, Igniters, Drip Trays, Griddles, Grills, Control Knobs and Backguard .....	26-29
Oven and Door Interior .....	29
Oven Light Bulb Replacement .....	30
Power Failure .....	30
<b>PARTS IDENTIFICATION</b> .....	31-32
<b>HOW TO OBTAIN SERVICE</b> .....	33
<b>WARRANTY</b> .....	34

# SAFETY PRACTICES AND PRECAUTIONS

---

When properly cared for, your new DCS Appliance has been designed to be a safe, reliable cooking appliance. When using this restaurant caliber appliance, use it with extreme care, as this type appliance provides intense heat and can increase the accident potential. Basic safety precautions must be followed when using kitchen appliances, including the following:

- Read this Use and Care Manual thoroughly before using your new appliance. This will help to reduce the risk of fire, electric shock, or injury to persons.
- Begin by insuring proper installation and servicing. Follow the installation instructions which came with this appliance. Be sure to have a qualified technician install and ground this appliance before using.
- Have the installer show you where the gas supply shutoff valve is located so you will know how and where to turn off the gas to the appliance.
- If you smell gas, the installer has not done a proper job of checking for leaks. You can have a small leak and therefore a faint gas smell if the connections are not completely tight. Finding a gas leak is not a “do-it-yourself” procedure. Some leaks can only be found with the burner control in the ON position and for your protection it must be done by a qualified service technician.
- If by some chance a burner goes out and gas escapes, open a window or a door to let the room air out. Do not attempt to use the appliance until the gas has had time to dissipate. Follow the instructions on page 1, “For your safety – if you smell gas”.
- This appliance has been factory assembled for natural or LP gas. It should be correctly adjusted from the factory for the type of gas that is used.
- Do not repair or replace any part of this appliance unless it is specifically recommended in this manual. All other servicing should be referred to a qualified technician.
- Children should not be left alone or unattended in an area where appliances are in use. They should never be allowed to turn knobs, push buttons, sit or stand on any part of an appliance.
- Children in walkers, or children crawling can be attracted to the round oven door handle and may grab and open the oven door. This can result in injury from the door being pulled open on a child, or severe burns if the oven is in use and hot.

---

## **CAUTION:**

***Do not store items of interest to children above or at the back of any appliance. Children could be seriously injured if they should climb onto the appliance to reach these items.***

- Never store anything in the oven or on the cooktop. Flammable materials can catch fire, plastic items may melt or ignite and other types of items could be ruined.
- Do not hang articles from any part of the appliance or place anything against the oven. Some fabrics are quite flammable and may catch on fire.
- If the appliance is near a window be certain the curtains do not blow over or near the cooktop burners; they could catch on fire.
- Do not use water on grease fires. Turn all burners OFF, then smother fire with baking soda or use a dry chemical or foam-type fire extinguisher.
- Never let clothing, pot holders, or other flammable materials come in contact with, or too close to, any burner or burner grate until it has cooled. Fabric may ignite and result in personal injury.

# SAFETY PRACTICE AND PRECAUTIONS

---

- Be certain to use only dry pot holders: moist or damp pot holders on hot surfaces may cause burns from steam. Do not use a towel or other bulky cloth in place of pot holders. Do not let pot holders touch hot burners, or burner grates.
- For personal safety, wear proper apparel. Loose fitting garments or hanging sleeves should never be worn while using this appliance. Some synthetic fabrics are highly flammable and should not be worn while cooking.
- Do not use aluminum foil to line any part of the oven or cooktop. Using a foil liner could result in a fire hazard, or the obstruction of the flow of combustion and ventilation air. Foil is an excellent heat insulator and heat will be trapped underneath it. This trapped heat can upset the cooking performance and can damage the finish of the oven or the cooktop parts.

---

## **WARNING:**

*This appliance is for cooking. Based on safety considerations, never use the oven or cooktop to warm or heat a room. Also, such use can damage the cooktop or oven parts.*

- When using the cooktop: Do not touch the burner grates or the immediate surrounding area. Areas adjacent to the burners may become hot enough to cause burns.
- When using the oven: Do not touch the interior surfaces of the oven, the exterior area immediately surrounding the door or the back trim. The surfaces directly above the oven door may be hot if the oven has been operated with the door open, or if something has prevented the door from sealing.
- Never leave the cooktop unattended when using high flame settings. Boil overs cause smoking and greasy spill overs that may ignite. More importantly, if the burner flames are smothered by a severe boil over which effects the igniter, unburned gas will escape into the room.
- Only certain types of glass, heat-proof glass-ceramic, ceramic, earthen ware, or other glazes utensils are suitable for cooktop use. This type of utensil may break with sudden temperature changes. Use only on low or medium flames settings according to the manufacturer's directions.
- Do not heat unopened food containers; a build up of pressure may cause the container to burst.
- During cooking, set the burner control so that the flame heats only the bottom of the pan and does not extend beyond the bottom of the pan. This could heat and/or melt the handles.
- Always use utensils that have flat bottoms large enough to cover the burner. The use of undersized utensils will expose a portion of the flame to direct contact and may result in ignition of clothing.
- To minimize burns, ignition of flammable materials and unintentional spill overs, position handles of utensils inward so they do not extend over adjacent work areas, cooking areas, or the edge of the cooktop.
- Hold the handle of the pan to prevent movement of the utensil when stirring or turning food.
- Grease Is Flammable. Let hot grease cool before attempting to handle it. Avoid letting grease deposits collect around the cooktop burners. Clean after each use or boil over.
- For proper lighting and performance of the cooktop burners, keep the burner ports clean. It may be necessary to clean these when there is a boil over or when the burner does not light, even though the electronic igniters click.

# SAFETY PRACTICES AND PRECAUTIONS

---

- Clean the cooktop with caution. Avoid steam burns; do not use a wet sponge or cloth to clean the cooktop while it is hot. Some cleaners produce noxious fumes if applied to a hot surface. Follow directions provided by the cleaner manufacturer.
- Be sure all the range and/or cooktop controls are turned off and the appliance is cool before using any type of aerosol cleaner on or around the appliance. The chemical that produces the spraying action could, in the presence of heat, ignite or cause metal parts to corrode.
- Place oven racks in desired position while the oven is cool. If a rack must be moved while the oven is hot, do not let the pot holders contact the hot interior of the oven.
- Use care when opening the oven door; let hot air or steam escape before removing or replacing foods.
- Do not rub, damage, move or remove the door gasket. It is essential for a good seal during baking.
- Clean the ventilator hood and filters above the range or cooktop frequently so grease from cooking vapors does not accumulate on them.
- Turn the ventilator OFF in case of fire or when intentionally “flaming” liquor or other spirits on the cooktop. The blower, if in operation, could unsafely spread the flames.
- DO NOT obstruct the flow of combustion or ventilation air to the appliance. Be sure a fresh air supply is available.
- For safety reasons and to avoid damage to the appliance never sit, stand, or lean on the oven door or cooking surface.
- Service should only be done by authorized technicians. Technicians must disconnect the power supply before servicing this appliance.

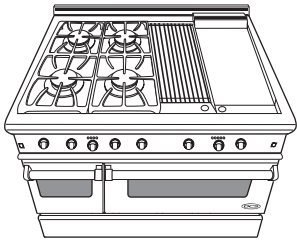
---

## **WARNING:**

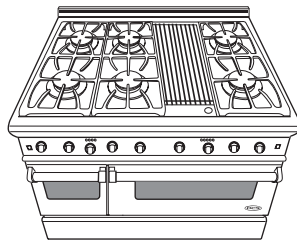
*California Proposition 65 - The burning of gas cooking fuel generates some by-products which are known by the State of California to cause cancer or reproductive harm. California law requires businesses to warn customers of potential exposure to such substances. To minimize exposure to these substances, always operate this unit according to the instructions contained in this booklet and provide good ventilation to the room when cooking with gas.*

# MODEL IDENTIFICATION

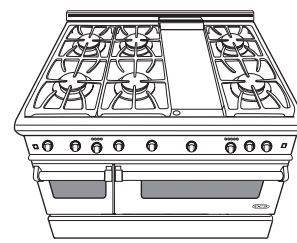
## 48" RDS RANGE MODELS



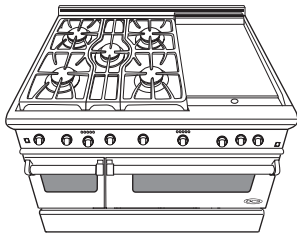
RDS-484GG



RDS-486GL

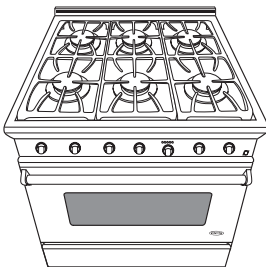


RDS-486GD

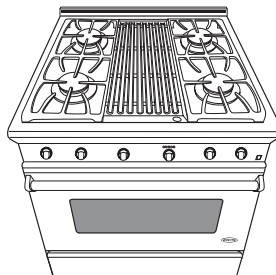


RDS-485GD

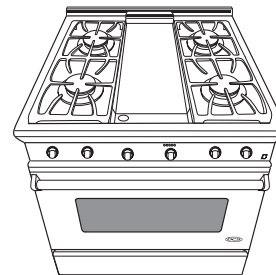
## 36" RDS RANGE MODELS



RDS-366

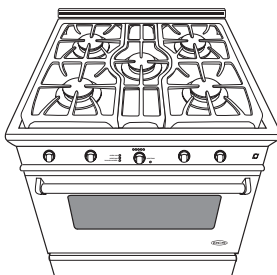


RDS-364GL



RDS-364GD

## 30" RDS RANGE MODELS



RDS-305

# BEFORE USING YOUR APPLIANCE

1) Remove all packaging materials and labels from your appliance. If the installer has not set up your appliance, do it now. Check that you have the following items:

## COOKTOP:

- Griddle - (RDS-364GD, RDS-486GD, RDS-484GG, and RDS-485GD Models Only)
- Grill racks, 2 pieces - (RDS-364GL, RDS-486GL & RDS-484GG Models Only)
- 5 burner head assemblies, burner caps and grates (RDS-305 and RDS-485GD Models Only)
- Radiant tray - to hold ceramic rods for grill - (RDS-364GL, RDS-486GL & RDS-484GG Models Only)
- One removable drip tray (griddle and grill models have drip tray liners, for catching grease)

## 27" & 24" OVEN:

- Two removable Stainless Steel 3 position Rack Slide Assemblies
- One, Two-piece broil pan
- Three Oven Racks

## 12" OVEN:

- Two oven racks
- Two removable Rack Supports
- One, Two-piece broil pan

2) Place the oven racks in the proper position before turning on the oven. For correct rack position check your recipe. The most frequently used position is number 2. The rack positions are numbered from the bottom as in the floors of a building.

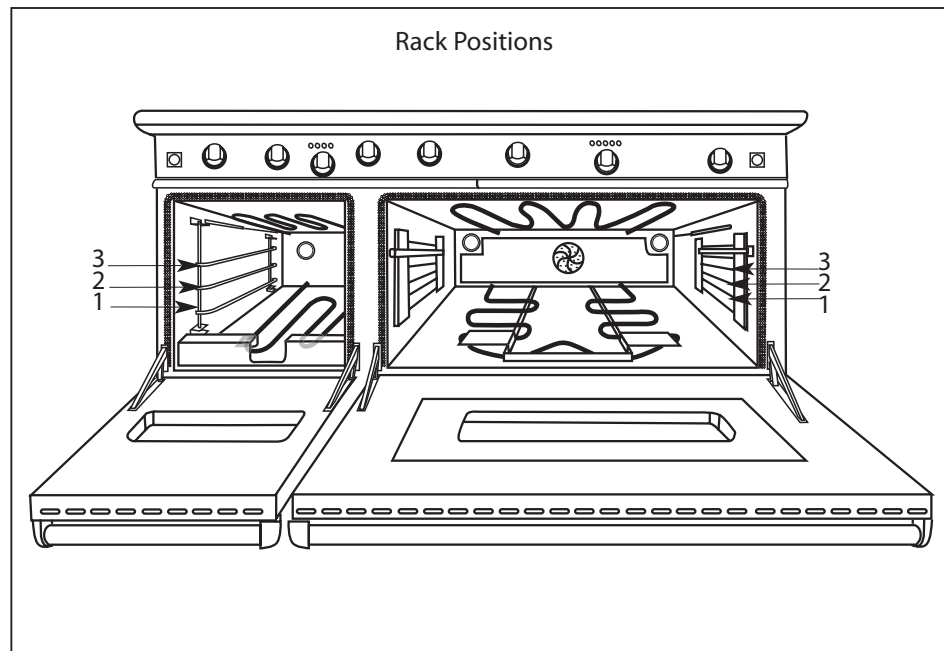


Fig. 1



# BEFORE USING YOUR APPLIANCE

---

- Do not use aluminum foil to cover the oven racks or to line the oven. Heat can be trapped beneath the foil, this can cause damage to the oven and the food may not cook correctly.

## **3) Before baking or broiling:**

One at a time turn the oven and broiler burners for 20 to 30 minutes each. This burns off the manufacturing oils used by the factory. Turn the oven burner on to 450°F and the broiler burner on to "Broil". Turn on the ventilator above your range while these burners are on, as there will be an odor.

## **TO INSERT THE OVEN RACKS:**

- 1)** Hold the rack with the back safety rail in the up position and towards the rear of the oven. Slip it into the oven so the rack slides are between the rack and the rack guides.
- 2)** As you slide the rack into the oven tip the front of the rack up slightly, so that the safety stops on the back of the rack, clear the rack slides. The safety stops keep the rack from sliding out of the oven when pulled forward.

## **TO REMOVE OR REPOSITION THE RACKS:**

- 1)** Pull the rack forward.
- 2)** Lift the front of the rack up so the safety stops clear the rack slides.
- 3)** Pull the rack forward.

# COOKTOP USE

## BURNERS

Your new professional gas range is equipped with burners typical of those used in restaurants. These burners are designed for maximum cleanability and controllability. The large cap spreads the simmer heat out to avoid too much heat being concentrated on the center of the pan. The simmer flame is always on when the burner is in use. The burner should never be operated if the cap is not in place. All the cooktop burners have electronic spark ignition to eliminate continuously burning pilots; when the burner is on and the flame is blown out, it will relight.

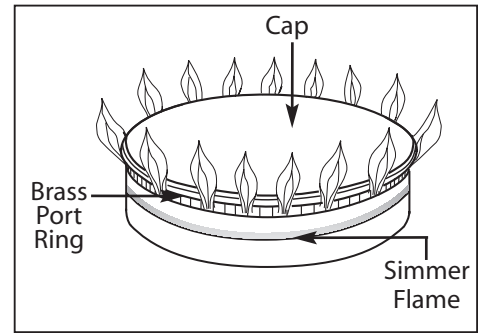
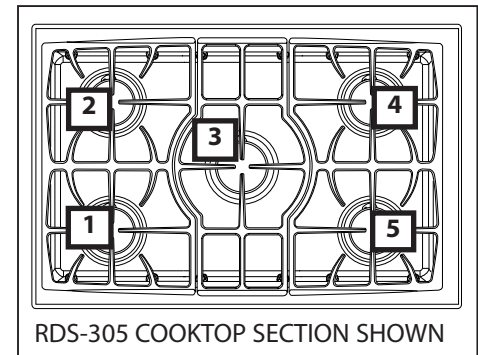


Fig. 2

## SIMMERING

Your new professional cooktop has exceptionally low simmering capabilities. The large cap serves as a heat diffuser to spread out the heat to avoid having a center hotspot. Keep in mind that because of the high heat capacity of the outer burner, and the mass of the cast iron burner grates (they retain heat longer than lighter, conventional grates) some foods may continue to cook by retained heat after the burner has been turned off. Should a strong draft or boil over extinguish the simmer flame it will relight automatically as the main burner would.



## ELECTRONIC IGNITERS

If a burner does not ignite, listen for the clicking sound. If the igniter is not clicking, TURN OFF THE BURNER. Check the circuit breaker for a blown fuse or a tripped circuit breaker. If the igniter still fails to operate, see page 33, "Before Calling For Service". To light the burner manually, see page 30, "Power Failure".

Burner Location	Max. Btu/hr			Simmer/Low Btu/hr	
	305 Nat	36"/48" Nat*	LP	Nat	LP
1	16,000	17,500	14,000	500-1,200	500-1,200
2	16,000	17,500	14,000	500-1,200	500-1,200
3	17,500	17,500**	14,000	500-1,200	500-1,200
4	16,000	17,500	14,000	500-1,200	500-1,200
5	16,000	17,500	14,000	500-1,200	500-1,200

\*Note - All burners on 36 & 48 models (except 485 models) rated at 17,500 Btu/hr for Nat. & 14,000 Btu/hr for LP.

\*\*485 Model only. No location #3 on 36 & other 48 models.

**NOTE:** If you are using propane gas, a slight pop or flash may occur at the burner ports a few seconds after the burner has been turned "off". This "extinction pop" is normal for propane gas.

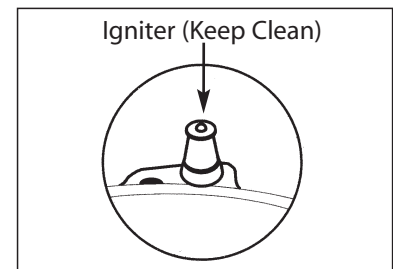


Fig. 3

## BURNER EFFICIENCY AND FLAME CHARACTERISTICS

It is necessary to keep the burner ports and the igniters clean for proper lighting and efficient performance of the cooktop burners. The burner flame should burn completely around the burner with no excessive noise or lifting. The flame should be blue in color and stable with no yellow tips. An improper air-gas mixture may cause either a burner flutter or a yellow tipped flame. A technician should adjust the flame. During initial use, foreign particles in the gas line, or dust in the air around the appliance may cause an orange flame. This will disappear with use.

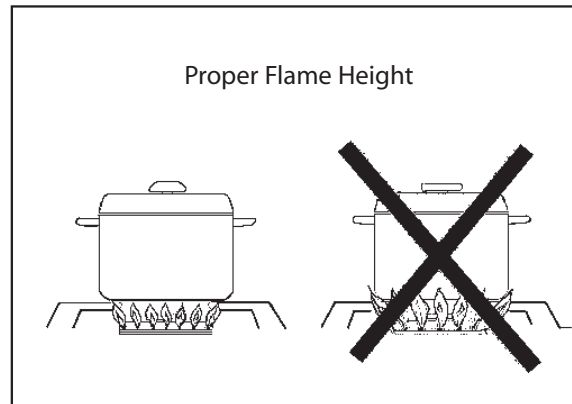


Fig. 4

## FLAME HEIGHT

The correct height of the flame mainly depends on the size of the bottom of the cooking utensil, the material of the cooking utensil, the amount and type of food and the amount of liquid in the utensil. Following are some basic rules for selecting flame height.

- For safety reasons the flame must never extend beyond the bottom of the cooking utensil. Never allow flames to curl up the side of the pan (see Fig. 4).
- Utensils which conduct heat slowly (such as glass-ceramic) should be used with medium to low flame. If you are cooking with a large amount of liquid, a slightly larger flame can be used.

## SEALED TOP BURNERS

The sealed top burners must be kept clean. Cleaning of the sealed top burners should include the igniter. The cooktop burners have an infinite number of heat settings and there are no fixed positions on the control knobs between HI and LO. To turn the cooktop burner on, push in on the control knob and turn it counterclockwise to the "LITE" position. An audible clicking sound will be heard. When the gas has been ignited by the electronic spark igniter, turn the knob to the desired setting. (The clicking sound should stop as soon as the burner is lit).

**NOTE:** *The igniter will continue to click as long as a control knob is in the "LITE" position.*

---

### **CAUTION:**

*When turning on any cooktop burner, be sure to stop at the "LITE" position before turning the burner to a flame setting for cooking. If the burner is not lit and it is turned beyond the "LITE" position, to HI, MEDIUM, or LO, there could be a burst of flame when the burner does light. This could cause burns or damage to the surrounding countertop.*

# COOKTOP USE

## BURNER GRATES

The burner grates are heavy cast iron. They were designed in sections to make them easier to remove and clean. (See fig.5 & 6)

## COOKWARE

For best results we recommend using professional cookware. This type of utensil can be found at your finer department stores, specialty cooking shops, or restaurant supply stores. If using regular cookware, be very careful if the pans have plastic handles, as these large professional size burners can flame up on the outside of the pan and melt or bubble the handles.

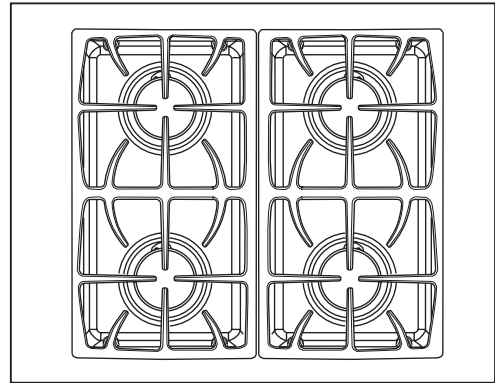
## CONTROL KNOBS

The control knobs are readily associated with the burners they control. The cooktop control knobs are labeled and in front of the burners. The oven control is placed slightly lower than the other control knobs. This is due to the physical size of the commercial type thermostats used on the product (see fig. 7).

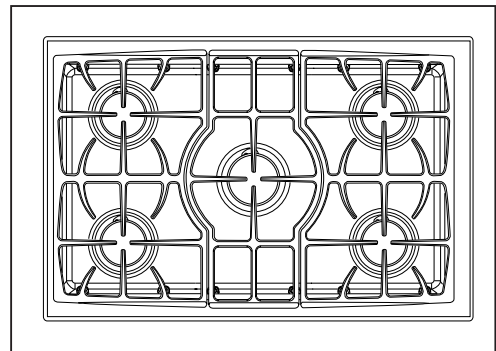
## WOK RING

A Wok ring is provided with your new DCS appliance. The ring is cast iron, and has a porcelain enamel finish. It can be used with the DCS model CW wok and most commercially available woks. To use the ring, place it on the grate over the desired burner. The vertical tabs on the ring should be aligned with the main fingers of the grate. The small protrusions on the bottom surface of the ring should straddle the grate fingers to prevent the ring from rotating during cooking. See fig. 8 page 12. The bottom of the wok should be supported and retained by the vertical tabs of the ring.

For best performance on 30" ranges, the ring and wok should be used on the center burner, as it has the highest output on the top section. On 36" and 48" ranges and cooktops, the ring and wok may be used on any surface burner. To clean the wok ring, place it in the dishwasher after use. Stubborn food deposits may be removed by soaking to loosen the soil, then washing as usual.



*Fig. 5 (36" & 48" models)*



*Fig. 6 (305 & 485 models)*



*Fig. 7*

## COOKTOP USE

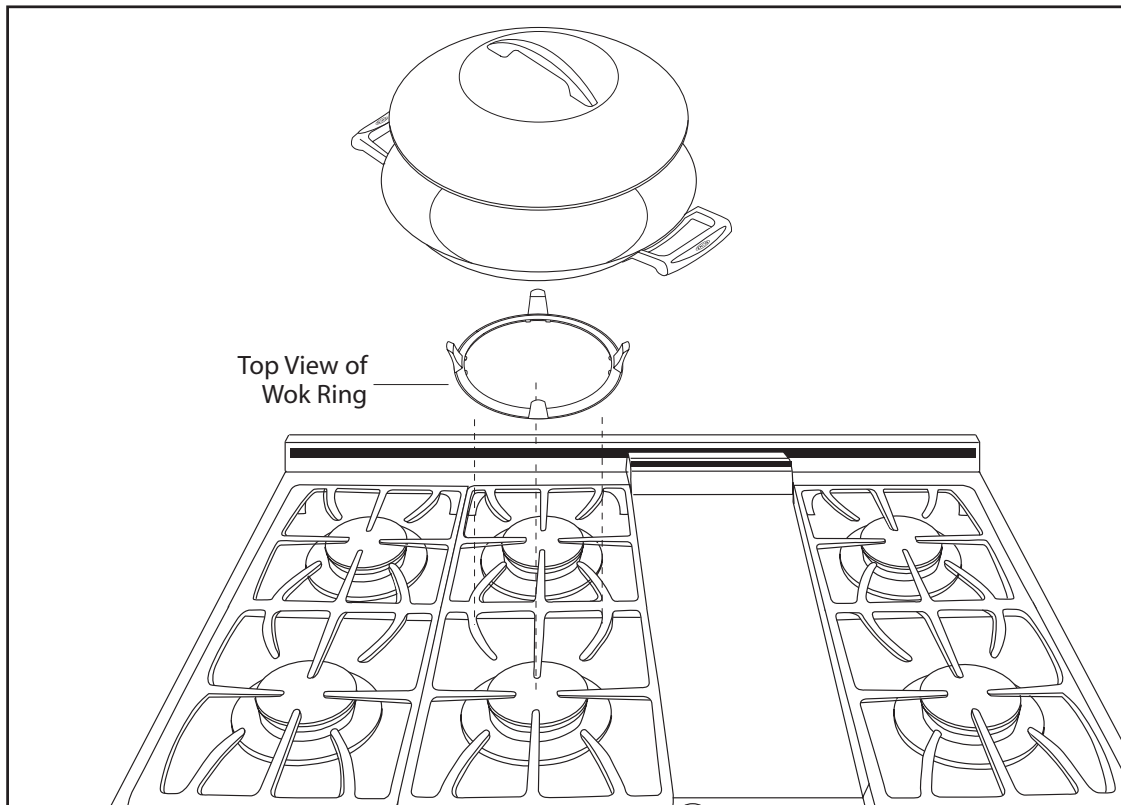


Fig. 8

## GRILL USE

### GRILL

The two grill grates are reversible (see fig. 9). Place the side with the two grooved tabs towards the back of the cooktop. The grill grates are made of durable porcelain enameled cast iron. One side of the grate is ridged (side A) and should be used for foods where you want the fat to run off, such as steak or hamburger patties. The ridges are sloped so the fat runs toward the front of the grill and can easily run down to the cooler area of the drip tray and away from the intense heat of the burner. The other side of the grate (side B) is designed for foods that need more support while cooking, such as fish. Food cooked on the grill section achieves the same flavor as food cooked on an outdoor grill. The intense radiant heat from the ceramic rods caramelizes the fats and juices that are brought to the surface of the food, giving it the barbecued flavor.

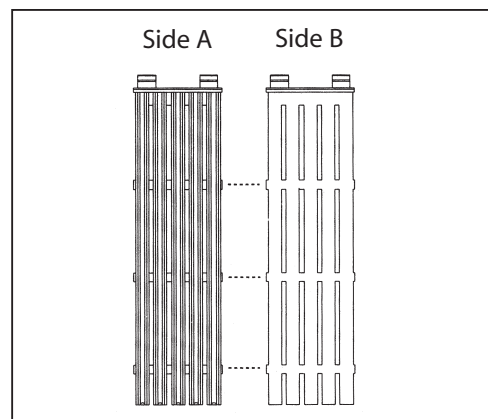


Fig. 9

**NOTE:** This gas grill may cook slightly faster than you are used to.

# GRILL USE

---

## CERAMIC RODS

The layer of ceramic rods, under the grill racks, will last for many years with proper care. They are shipped from the factory pre-assembled on the radiant tray, ready to be set in place into the fire box, under the grill racks. Be sure to remove any packaging material from the radiant tray and rods before using the grill. Burned food particles and ash can be emptied off the radiant tray when cool by shaking over a waste receptacle. Chipping or cracking of the ceramic rods may occur as they may get brittle with age, depending on frequency of use. This is normal and does not affect the cooking. Do not replace the radiant tray/ceramic rods with alternates. Contact DCS for genuine factory-direct replacement parts.

## USE OF THE GRILL

Before starting to cook on the grill, be sure the drip tray and liners are in place and that you have the grill racks turned to the side you want for cooking. Preheat the grill for 10 minutes with the control knob set on HI. When the grill is preheated, turn the knob down to medium to low, place the food on the grill. Cook it to the doneness desired. During cooking, it may be necessary to adjust the heat setting. The control knob may be set to any position between HI and LO. For proper searing and browning, the grill requires high to medium heat. When cooking, you will use medium to low heat the entire cooking time. With large pieces of meat or poultry, you may need to turn the heat to low setting after the food has been seared. This lower heat setting will allow the food to cook through without burning the outside. When using a sugary marinade or barbecue sauce, it may be necessary to turn the heat setting down near the end of the cooking time. **Do not leave the grill unattended while it is turned on.** When you are finished cooking, allow the grill and the drip trays to cool before cleaning them. They should be cleaned each time they are used.

**NOTE:** *The longer you preheat the grill, the darker the grill marks.*

## EXCESSIVE FLARE UPS AND FLAMING

Occasionally grease drippings ignite. These drippings will create minor puffs of flame for a second or two. This is normal when cooking on a grill. You may find it handy to have a spray bottle filled with water to lightly spray the flare-up. If the flame becomes excessive, remove the food from the grill. Lower the heat setting. Replace the food when the flare-up subsides. To prevent flare-ups from happening, trim the fat from around the edges of steaks and chops, use hamburger that is lean, remove the fat that is on poultry, etc. When turning any kind of meat or poultry, the melted fat will drop onto the ceramic rods and it may create a flare-up. If this happens, use a long handled spatula to move the food to another area.

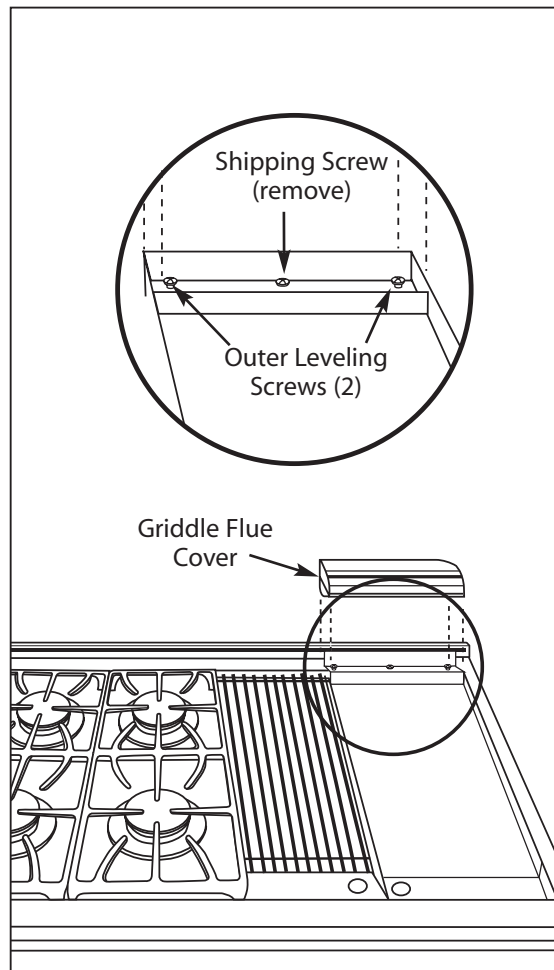
## GRILLING HINTS

The doneness of meat is affected by the thickness of the cut. It is impossible to cook a thin piece of meat to a rare doneness. A steak should be at least 1-inch thick to have it turn out rare and juicy. The cooking time is affected by the temperature of the meat when you start to cook it, the size and shape of the cut and the kind of meat you are cooking. The degree of doneness desired also affects the time.

When turning the meat over, always use a spatula or tongs as it will not puncture the meat allowing the juices to run out. This will help to keep the meat juicy. Turn the meat only once, as juices are lost when the meat is repeatedly turned. Be sure to trim any excess fat from meat or poultry. To prevent steaks or chops from curling while they are being cooked, slit the fat around the edges at about 2-inch intervals. To test for doneness, make a small cut in the center of the meat.

# GRIDDLE USE

The built-in griddle on your cooktop is made from Type 304 stainless steel, highly polished to provide a smooth cooking surface. It is normal for it to darken with use as oils cook onto the surface to provide a stick resistant base or "seasoning". Since the griddle is made from stainless steel, the surface will not rust. The griddle burner is thermostatically controlled and cycles on and off to maintain the set temperature. The "Heating" light indicates that the burner is "on". The griddle assembly is not to be removed for cleaning and is held in place by two front screws and one rear screw. These are mainly there to keep the griddle from shifting in transit and positioning, thus avoiding breakage of any ignition components. Once the unit is in position, the rear shipping screw can be removed. It is located beneath the griddle flue cover which is removed by lifting off (be careful not to scratch your backguard during removal of the cover). Remove the center shipping screw. The two outer screws are leveling screws. They can be turned to level the griddle or to provide a forward slope to help grease and oils to drain away from the food being cooked. After using the griddle a few times, you will be able to judge the slope best for the foods you are cooking and your personal preference.



**Fig. 10**

## **BEFORE USING THE GRIDDLE FOR THE FIRST TIME OR TO RE-SEASON**

- 1) Clean the griddle thoroughly with hot, soapy water to remove any protective coating.
- 2) Rinse with a mixture of 1 quart water and 1 cup white vinegar. Dry thoroughly.
- 3) Pour 1 teaspoon vegetable oil into the center of the griddle (do not use corn oil as it gets sticky). Rub the oil over the entire surface of the griddle using a heavy cloth.
- 4) Turn the control knob to a Medium setting (350°F). Turn the heat Off when the oil begins to smoke. Allow the griddle to cool.
- 5) Repeat Step 3. Be sure to cover the entire surface with the oil.
- 6) Repeat Step 4. Allow the griddle to cool. Wipe the entire surface of the griddle using a heavy cloth. Apply a very thin layer of vegetable oil. The griddle is now ready to use. If the griddle is not used for a period of time, re-season it occasionally.

**NOTE: It is normal for the griddle to darken with use.**

# GRIDDLE USE

---

## USE OF THE GRIDDLE

Before starting to cook on the griddle, be sure the drip tray and liners are in place. Preheat griddle for 15 minutes with the control knob set to the temperature suggested on the cooking chart. When the griddle is preheated, the HEATING light will turn off. Place the food on the griddle and cook to desired doneness.

**NOTE:** *When the griddle is properly seasoned it can be used without any additional shortening. However, it can be used for flavor. A light mist of non-stick vegetable spray, applied before cooking to a cool griddle, makes delicate foods easier to turn.*

## GRIDDLE COOKING CHART

FOOD	TEMPERATURE
Eggs	225°F to 250°F
Bacon, Ham, Pork Chops	300°F to 325°F
Sausage, Grilled Cheese Sandwiches	325°F to 350°F
Pancakes, French Toast	350°F to 375°F
Hash Brown Potatoes	400°F to 425°F

# OVEN USE

---

## OVEN COOKING ELEMENTS

Your new professional RDS range is equipped with bake and broil cooking elements. The 27" oven bakes at 6,000 Watts while the 27" and 24" ovens broil at 4,000 Watts. On the (RDS 305 models) the 24" oven bakes at 3,700 watts. The 12" proofing oven (RDS 48 models only) bakes at 3,700 Watts and broils at 3,600 Watts.

## OVEN

Your new oven can be used in three cooking modes; convection bake, regular bake, and regular broil. To help you decide which way to cook your food read this information first. Remember this is a new oven and the thermostat has been checked for accuracy. Your old oven may have had a thermostat that over the years got a little hot or a little cold. Check your recipes for the correct time and temperature. Use caution when using your old ovens time or temperature. You may have been compensating for your old oven being out of calibration. Models RDS-484GG, RDS-485GD, & RDS-486GL and RDS-486GD have two ovens. The 27" oven on the right side can be used for standard baking, fan assisted convection baking, and broiling. It is also self-cleaning. The 12" oven on the left side, can be used for standard baking, broiling, and proofing baked goods. It is also ideal for baking small amounts of food when you don't want to heat the large oven.



## CONVECTION BAKING

Convection baking is baking with a fan at the back of the oven circulating the hot air in a continuous pattern around the food. This circulating hot air heats and browns the surface of the food more effectively than in a standard oven. This allows most foods to be cooked at lower oven temperatures or in less time, if baked at the regular temperature. The air is recirculated and reheated. Uncovered, longer cooking foods such as large pieces of meat or other foods that can be cooked in low sided baking utensils or air leavened foods, are where you will see the most savings in cooking time. Using multiple racks at the same time will achieve a good time saving, as you can cook more food at the same time.

### Foods Suitable for Convection

- Appetizers
- Breads
- Oven Meals (1 to 3 racks)
- Cookies
- Main Dishes
- Roasts
- Pies
- Poultry
- Air Leavened Foods (Angel Food Cake, soufflés, cream puffs, meringue shells)

## REGULAR BAKING

Bake is baking with hot air; there is no fan. The air movement comes from natural convection. As the air heats, it moves to the top of the oven. This oven mode is the same as you have been using for baking on one or two racks.

### Foods Suitable for Bake

- Appetizers
- Pies, Cakes
- Breads
- Poultry
- Roasts
- Desserts
- Main Dishes
- Oven Meals (1 to 2 racks)

## BROIL

Broiling is cooking by intense infrared radiation supplied by the broil burner element located at the top of the oven. Since broiling is cooking by radiant heat it is not necessary to use the convection fan in the broil mode.

### Foods Suitable for Broil

- Top Browning: Casseroles, Breads
- Appetizers
- Meats
- Poultry
- Fish

## CONVERTING RECIPES TO CONVECTION BAKING

Low sided baking utensils will give the best results as the hot air can reach all sides of the food easier. The oven temperature can be left the same as the recipe and the food cooked a shorter period of time. The temperature can be lowered 25°F and the food will probably take the same length of time to cook as the recipe states. If you find that food is adequately browned on the outside, but not done in the center, lower the temperature another 25°F and add to the baking time. When reducing the temperature always check the food for doneness, a minute to two before the minimum time stated in the recipe, as time can always be added. Some recipes will cook faster than others. There is no way to predict exactly how long each recipe will take when you convert it to convection. Convection will be easier to use after you have used it a few times as you will begin to understand the way it bakes.

## SELECTING UTENSILS FOR CONVECTION BAKING

Cooking by convection does not require any specially designed baking utensils. You probably have many utensils in your kitchen that are suitable to use. When choosing a baking utensil, consider the material, the size and the shape as they all affect the baking time, the palatability and the appearance of the finished product. Metal bakeware (aluminum, steel and cast iron) all result in the fastest cooking time and the best end product.

# OVEN USE

---

Aluminum pans work best for all types of baked goods. For the best browning, use a pan with a dark or dull finish that absorbs heat, when baking pies and breads. A shiny finish works best for cakes and cookies, since it reflects some of the heat and provides a more tender surface. Cookie sheets with only one lip will give the best results, as the heated air can circulate all around the sides of the food. For roasting use the bottom of the broil pan and elevate the meat on a metal roasting rack. Glass-ceramic or glass utensils do not conduct heat as well as metal, but they can be used. Use them for foods that do not require a dark brown crust or crisping, such as soufflés.

Baked items cook more quickly and evenly if they are individually smaller in size, i.e. two or three small foods do better than one large piece. When single food items are baked, always center the food on the rack. If several foods are being baked, space them evenly on the rack or racks.

## CONDENSATION

During any cooking process there is a certain amount of moisture that evaporates from the food. The amount of moisture that condenses on the oven depends on the moisture content of the food. The moisture will condense on any surface that is cooler than the inside of the oven, such as the control panel or the top of the door.

## TO GET THE BEST RESULTS

### Baking:

- Follow the recipe amounts and ingredients, including the size and shape of the baking utensil recommended in the recipe.
- Do not open the oven door “just to peek”; use the interior oven light and look through the window.
- Do not use the oven for storage, especially when baking in the oven. Extra utensils, not being used for baking, can affect the food product, the baking time, the browning and end result.
- If you are using glass utensils, lower the temperature 25°F.
- Use a minute timer, set for the minimum time suggested in the recipe.

### Convection Baking:

- Follow the first three recommendations above.
- Metal utensils give better results, in convection, than do glass baking utensils. If you use glass, it usually is not necessary to lower the temperature an additional 25°F.
- Use a minute timer, set for less than the minimum time suggested in the recipe, the first time you use a recipe in the convection mode. Be sure to note the new baking time on your recipe, for future reference.
- Be sure to read the basic information on convection before using the oven for the first time.
- Keep in mind that convection baking results vary, depending on type of product. In many cases, standard bake yields superior results over convection.

## PREHEATING

Preheating takes about 10 to 15 minutes depending on the temperature set. Preheating is usually necessary for foods baked at high temperature for a short period of time, i.e. drop cookies. The oven heating light will turn off when the oven has reached temperature.

## SETTING THE 12" OVEN FOR BAKING (48" Models Only)

To use the 12" Proofing Oven to bake (smaller oven on left side), simply push in the "BAKE" switch on the valve panel, above the oven knob over the small oven and turn the control knob to the temperature used in the recipe.

1) With the thermostat knob "OFF", Press BAKE selector button.

2) Set desired temperature on thermostat dial.

- The "OVEN ON" light turns on.
- The "HEATING" light turns on.
- Once the "HEATING" light cycles off the first time, the Oven is preheated.
- The "OVEN ON" light remains on until the "OFF" Selector button has been pushed, or the Thermostat has been turned to the "OFF" position.

## SETTING THE 27" & 24" OVEN FOR BAKING

Decide if you are going to use BAKE or CONVECTION BAKE. These cooking modes are for baking, roasting or warming using one, two or three racks. If you are going to use regular Bake simply push in the "BAKE" switch on the valve panel, above the large oven knob and turn the control knob to the temperature used in the recipe. To use convection Bake push the convection switch (located on the control panel) and turn the control knob to the temperature desired.

1) Press BAKE or CONVECTION BAKE Selector button.

- The convection fan will turn on if "CONVECTION BAKE" is selected.

2) Set desired Temperature on Thermostat Dial.

- The "OVEN ON" light turns on.
- The "HEATING" light turns on.
- Once the "HEATING" light cycles off the first time, the oven is preheated.
- The "OVEN ON" light remains on until the "OFF" Selector button has been pushed, or the Thermostat has been turned to the "OFF" position.

# OVEN USE

---

## 27" & 24" OVENS

The larger 27" self cleaning convection oven is located on the right side of a 48" RDS Range or is the only oven on a 36" Range. The oven comes standard with (3) oven racks and three position roller assisted rack supports. A porcelainized steel broiler pan is included with this oven.

**NOTE: About the roller assisted rack supports (27" and 24" oven only):**

Specifically engineered from high temperature materials for in oven use, they will stand up to years of use. They are especially functional when the oven racks are supporting the heavy food products associated with this high capacity oven. They must be removed before the oven can be put into self clean. See page 30 for care of the rack supports. All three dual fuel ovens come with a 2-pc. broil pan.

## 12" OVEN (48" RANGES ONLY)

The 12" oven comes equipped with (2) oven racks and three position rack supports. The rack supports are removable for cleaning. Also included is an aluminum broil pan and porcelainized steel bottom pan for easy cleaning.

## OVEN RACKS

### **CAUTION:**

*Aluminum foil should never be used to cover the oven racks or to line the oven bottom. The trapped heat can damage the porcelain and the heated air cannot adequately reach the food being baked.*

## Baking

One or two racks can be used simultaneously during bake. Place the rack(s) in the desired position before turning the oven on. Store any unused rack(s) out of the oven. Rack position 2 (second from bottom) will probably be used the most, for single rack baking. If you are using two racks simultaneously, be sure to check the food on the bottom rack sooner than the minimum time. The food on the lower rack position may cook slightly faster than the food on the upper rack, particularly if you are using large baking utensils.

If you are using two racks simultaneously, be sure to stagger the baking utensils so that one is not directly above the other and the heated air can circulate freely around each pan. Allow at least 1" of space between the oven walls and the pans. If using large or commercial size baking utensils, the food may take a few extra minutes as the air cannot circulate as freely as it does with a smaller pan. When using commercial size baking utensils, use only one rack as the heat does not have the room to circulate.

## Convection Baking

All racks can be used simultaneously during convection baking. Place the racks in the desired position before turning the oven on. Store the unused racks out of the oven. Rack position 2 (second from bottom) will probably be used the most, for single rack baking. When baking on more than one rack you do not need to stagger the pans. However, allow at least one inch of space between the oven walls and the pans so the heated air can circulate.

## HIGH ALTITUDE BAKING

Recipes and baking times vary if you are baking at a high altitude. For accurate information write to the Agriculture Extension Service, Colorado State University, Fort Collins, Colorado 80521. Specify the type of information and the baking mode (convection bake or bake) you need i.e. cakes, cookies, breads, etc. There may be a cost for the bulletins.

## SETTING THE OVEN FOR BROILING

When the "Broil" selector button is pressed you will hear a cooling fan begin to operate and feel an air current above the oven door. This air current serves to keep the control area above the oven cooler during open door broiling. The cooling fan must be running for the broiler to operate. NEVER "OPEN DOOR BROIL" WITH CHILDREN NEARBY.

## Preheating

The broiler does not need to be preheated for most broiling. However, fast cooking foods such as thin strips of meat or fish may require a short preheating period of 2 to 3 minutes (on RDS 305 models preheat broiler 10 minutes, closed door suggested for best results) to allow the food surface to brown in the same time the food takes to be cooked throughout.

## To Get the Best Results

- Defrost the food before starting to cook.
- Leave the door ajar at the broil stop.

***NOTE: If the door is closed during broiling, the oven cavity may get hot enough to cycle the broil element on and off, producing food that tastes baked/roasted instead of broiled.***

- Set a minute timer for the minimum time to check the food. Steaks should be at least one inch thick if a rare doneness is desired. It is difficult to get rare with meat that is thinner, or to get a nice brown piece of meat.
- After half the total cooking time, turn the food over only once. It is not necessary to turn over thin foods (filet of fish, ham slices, etc.) Liver slices must be turned over.
- When top browning, use metal or glass-ceramic bakeware. DO NOT use heat-proof glass or pottery as this type of glassware cannot withstand the intense heat of the broiler burner.

***NOTE: You cannot use the broiler burner and the bake burner at the same time. When one is on, the other cannot be turned on. Do not use the convection fan in the broil mode.***

# OVEN USE

---

## Using a Meat Thermometer to Broil

To accurately determine the doneness of a thick steak or chop (1-1/2 inches thick or more), use a meat thermometer. Insert the point of the thermometer into the side of the meat to the center. Cook the first side to 90°F for rare meat. Cook the first side to 100°F for medium to well done. Cook the second side to the desired degree for the doneness you want, 135°F to 140°F for rare, and 150°F to 155°F for medium and 160°F to 165°F for well done. If you are cooking pork, cook to 170°F. A large two-piece broil pan comes with your new range. When you are broiling, always use both pieces. Do not cover the grid with aluminum foil. This slotted grid allows the grease drippings to flow into the bottom of the pan keeping it away from the intense heat of the infra-red broiler burner. This helps to minimize the smoking and spattering of the grease.

***NOTE: When the oven is used for an extended period of time at a high temperature, the cooling blower may turn on. This is normal. The cooling blower will also operate during Broil and the Self-Cleaning cycle. If the blower is not running during these modes, do not use the oven. Call a qualified appliance technician to repair the unit.***

## Oven Rack Position

The rack position depends on the type and thickness of the food. Thick pieces of meat or poultry would typically be broiled on rack position 2, steaks, chops and hamburger, would be broiled on rack position 3. If top browning casseroles or bread the thickness of the food would indicate the rack position. Casseroles and bread would typically be browned on rack position 2 or 3.

## USING THE OVEN FOR SLOW COOKING OR LOW TEMPERATURES

The oven can be used to keep hot food hot, to dehydrate food, to warm plates, for slow cooking (as in a crock pot), and to defrost foods.

You can keep hot, cooked food at serving temperature. Set the oven to the temperature suggested in the chart. Rare meat must be eaten when it is removed from the oven, as it continues cooking from its own heat.

- To keep food moist, it must be covered with aluminum foil or a lid.
- To dehydrate food, follow suggestions in a recipe.
- To warm plates, check with the dishware manufacturer for the recommended temperature.
- To use the oven as a slow cooker set the oven control knob to 225°F, place the food in the oven in a pan with a tight fitting lid. Follow recipes for this type of cooking.
- To thaw uncooked frozen food, set the oven control knob to "warm". Be sure the food is tightly wrapped in foil. Thaw the food just enough to handle it. Cook immediately. Do not refreeze.
- To thaw frozen cooked food, set the oven control knob to 170°F. Loosen the freezer wrapping.
- Do not use plastic wrap or wax paper in the oven.

---

### ***FOOD SAFETY:***

***According to the United States Department of Agriculture you should not hold foods at temperatures between 40°F to 140°F for longer than 2 hours.***

# OVEN USE

## SUGGESTED TEMPERATURES TO KEEP FOOD HOT

Food	Oven Temperature
<b>Beef</b>	
Rare	150° - 155°F
Medium	155° - 170°F
Well Done	170° - 180°F
Bacon	200° - 225°F
Biscuits and Muffins (covered)	170° - 185°F
Casserole (covered)	170° - 200°F
Fish and Seafood	170° - 200°F
French Fried Foods	200° - 225°F
Gravy or Cream Sauces (covered)	170° - 180°F

Food	Oven Temperature
Lamb and Veal Roasts	170°-200°F
Pancakes and Waffles (covered)	200° - 225°F
Potatoes	
Baked	200°F
Mashed (covered)	170° - 185°F
Pies and Pastries	170°F
Pizza (covered)	225°F
Pork	170° - 200°F
Poultry (covered)	170° - 200°F
Vegetables (covered)	170° - 175°F

## INTERNAL COOKING TEMPERATURES

Food	Oven Temperature
<b>Egg and Egg Dishes</b>	
Eggs	Cook until yolk and white are firm
Egg Casseroles	160° F
Egg Sauces, Custards	160° F
<b>Ground Meat and Meat Mixtures</b>	
Turkey, Chicken	165°F
Beef, Veal, Lamb, Pork	160°F
<b>Fresh Beef, Veal, Lamb</b>	
Medium Rare	145°F
Medium	160°F
Well Done	170°F
<b>Fresh Pork</b>	
Medium	160°F
Well Done	170°F
<b>Roast Beef</b>	
Cooked commercially, vacuum sealed, and ready-to-eat	140°F

Food	Oven Temperature
<b>Poultry</b>	
Chicken, Turkey-whole	180°F
Chicken, Turkey-dark meat	180°F
Poultry-breast	170°F
Duck and Goose	180°F
<b>Stuffing</b>	
Cooked alone or in bird	165°F
<b>Sauces, Soups, Gravies, Marinades</b>	
Used with raw meat, poultry, or fish	Bring to a boil
<b>Seafood</b>	
Fin Fish	Cook until opaque and flakes easily with a fork
Shrimp, Lobster, Crab	Should turn red and flesh should become pearly opaque.
Scallops	Should turn milky white or opaque and firm.
Clam, Mussels, Oysters	Cook until shells open.
<b>Leftovers</b>	165°F

# PROOFING / SELF CLEANING MODE

---

## 12" OVEN PROOF MODE

This feature of the 12" Proofing Oven maintains a warm, draft free environment useful for proofing yeast leavened products.

## SETTING THE 12" OVEN FOR PROOFING

- 1) Place dough in dish in the small oven.
- 2) Press "PROOF" Selector button
  - The "OVEN ON" light and oven interior lights turn on.
  - The "HEATING" light will not turn on in the proofing mode. The thermostat dial setting does not effect the proof temp.
  - The ideal temperature for proofing will be maintained until the "OFF" button is depressed.
- 3) Set a Minute timer for less than the minimum proof time.

**NOTES: A) Do Not Open the Oven Door unnecessarily as doing so will lower the oven temperature and lengthen proofing time.**

**B) Proofing time may be decreased when using the large oven at the same time you are proofing. Check bread product early to avoid over-proofing. If you are using the large oven for extended periods of time, we recommend, for optimum results, that you complete the proofing before turning the large oven on.**

- DO NOT use the proofing oven for warming food or keeping food hot. The proofing oven temperature is not hot enough to hold foods at safe temperatures (above 140°F).

## OVEN SELF-CLEANING MODE

The self-cleaning oven of your new range features pyrolytic self-cleaning. When set in the clean mode, the oven reaches a high temperature that burns off the food soil. When the oven is set for clean, only the cooktop burners may be used. The 12" Electric Proofing Oven, the griddle and/or the grill cannot be used. It is common to see smoke and/or flames during the clean cycle, depending on the content and amount of soil remaining in the oven. If a flame persists, turn off the oven and allow it to cool before opening the door to wipe up the excessive food soil. At the end of the clean cycle, some gray ash or burned residue may remain inside the oven. This is a mineral deposit that does not burn or melt. The amount of ash depends on how heavily soiled the oven was before the oven was cleaned. It is easily removed, once the oven has cooled, using a damp paper towel, sponge, or cloth. Wipe off any smoke residue that remains on the front frame with Formula 409® or Fantastik®. If stain remains, use a mild liquid cleanser. The amount of smoke stain is directly related to the amount of food soil left in the oven at the time of self-cleaning. Clean the oven often.



# OVEN SELF CLEANING MODES

## OVEN DOOR LOCK DURING SELF-CLEAN

When the clean cycle starts, the lock light turns on, and the automatic door lock cycle begins. Do Not attempt to open the door when the lock light is on. You can stop the cycle by pushing the off button. The lock light will turn off only after the oven has cooled below 550°F, and the automatic door lock has completed its cycle to the open position.

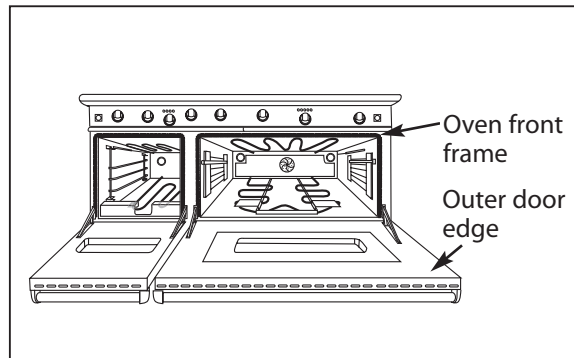


Fig. 11

## BEFORE SELF-CLEANING THE OVEN:

- Remove all utensils and racks
- Clean the oven front frame and outer door edges. Wipe up large spillovers and grease. (see fig. 11)
- Be sure the light bulbs and glass covers are in place.
- Turn on the ventilator hood above the range and leave it on until after the oven has completed the self-clean cycle.
- Remove Oven Racks and Rack Slide Assemblies.

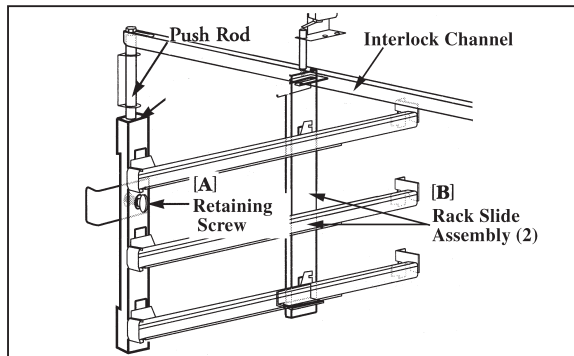


Fig. 12

**NOTE:** *An Interlock System has been designed so that the Self-Clean Cycle will not engage until the Rack Slide Assemblies have been removed. The roller assisted rack supports are designed to withstand the temperature range of the standard baking thermostat. They will not withstand the extreme temperatures of pyrolytic self cleaning. To remove the Assemblies:*

*A) For each side, Remove the retaining screw,*

*B) Lift up slightly and pull the entire Assembly out. Set aside.  
Replace the assemblies and retaining screws after the Self-Clean cycle has finished.*

## 27" OVEN RACK SLIDE ASSEMBLY

Wipe out puddles of grease and any loose soil that can be easily removed. Remove any soil that is outside the door seal area. This appliance is designed to clean the oven interior and that portion of the door that is inside the oven. The outer edges of the door and the oven cavity are not in the cleaning zone. Wipe this area clean before setting the oven to self-clean.

# OVEN SELF CLEANING MODE

- Turn on the ventilator hood above the range and leave it on until after the oven has completed the self-clean cycle.

## SETTING THE OVEN FOR SELF CLEAN

1) Push the "CLEAN" Selector Button.

2) Set Oven Control Knob to "CLEAN"

- Cooling Blower turns on,
- OVEN ON light and HEATING light turn on,
- LOCK light turns on,
- The door closing process takes approximately 60 seconds to complete, at which time the door becomes locked.

## AT THE END OF THE CLEAN CYCLE:

The clean cycle takes 5 hours to complete. The OVEN ON light turns off once the cycle has finished.

1) Push the OFF selector button. The door latch will open automatically after the oven temperature falls below 550°F and the automatic door lock completes its 60 sec. cycle to the OPEN position.

2) Turn the oven control knob to OFF. Wipe white ash with a damp cloth or sponge (after oven has cooled) before placing oven racks.

3) Replace the oven rack slide assemblies by:

- A)** Guiding the rear of the rack slide assembly into the bottom rear bracket of the oven side,
- B)** Guide the top rear of the rack slide assembly into the top U-shaped bracket of the oven side,
- C)** Lift up the Push Rod so that it rests on the "ledge" of the side support of the assembly, and
- D)** Screw the assembly secure to the oven through the hole in the front middle section of the side support. Repeat for the other side of the oven.

4) Replace the oven racks.

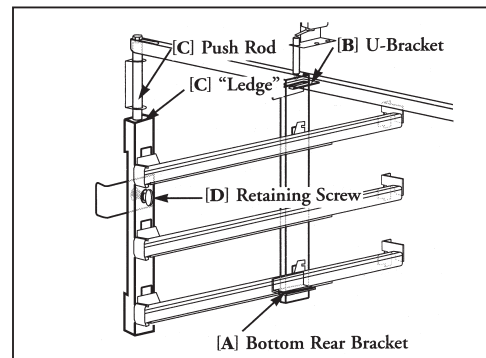


Fig. 13

## **CAUTION:**

*The interior of the oven will still be at baking temperatures when the lock light turns off and the oven door can be opened. Use caution as the oven may be hot enough to cause burns.*

# CARE AND MAINTENANCE

---

## WHEN CLEANING THE RANGE OR COOKTOP:

### Be careful cleaning any part of this appliance while hot.

All parts of the appliance can be cleaned with hot soapy water, rinsed, dried and buffed to a shine with a soft, heavy pile cloth. Always try this first, as it is the mildest cleaning procedure.

- 1) Use the mildest cleaning procedure first. Some brands of cleaners of the same type are harsher than others, read their directions. A scent or a propellant can make a difference in the product, read the ingredients. Try on a small area first.
- 2) To avoid marring the surface always rub metal finishes in the direction of the polish lines. The cleaner will be more effective when used in the direction of the polish lines.
- 3) Use only clean sponges, soft cloths, paper towels, plastic non-metal or steel wool soap pads for cleaning or scouring (use only soap pads with soap still in them, an empty pad can scratch), as recommended in this section.
- 4) Be sure to rinse all parts thoroughly and to wipe dry to avoid water marks.

## BRAND NAMES

In this section on cleaning, the use of name brands is intended only to indicate a type of cleaner. This does not constitute an endorsement. The omission of any name brand cleaner does not imply its adequacy or inadequacy. Many products are regional in distribution and can be found in local markets and department stores.

## COOKTOP

Turn off all the burners and allow the grates to cool, before starting to clean the cooktop. If you wipe off any part of the cooktop while it is hot do so carefully as using a wet sponge or cloth can result in steam burns.

## BURNER GRATES

When lifting the grates be careful as they are heavy. Place them on a protected surface, so they won't scratch the surface they are laid on. The burner grates are matte porcelain enamel over cast iron. When cool they may be placed in the dishwasher, or wiped clean while on the cooktop using hot soapy water, then rinsed and wiped dry. The burner grates will not rust as they are matte porcelain enamel on both sides for durability.

The occasional use of mild abrasive cleansers such as Bon-Ami®, Soft Scrub® or a soap-filled steel wool pad is okay. Abrasive cleansers, used vigorously or too often, can eventually harm the enamel. Apply with a damp sponge, rinse thoroughly and dry. The porcelain may pop off the edge of the grates due to rapid temperature change when the burners are turned on. Do not be concerned as this does not result in the deterioration of the grates. The cast iron soon darkens to blend with the porcelain enamel. Be careful when wiping an area where the porcelain has popped off, as the edges may be sharp.

# CARE AND MAINTENANCE

## BURNERS

For proper lighting and performance keep the burners clean. It is necessary to clean the burners if they do not light even though the igniter clicks, if there has been a severe boil over, or when the flame does not burn blue. Be certain all burner knobs are in the off position before attempting to clean the burners. The burners have been designed for ease in cleaning. When the grates and burners are cool, remove the grate. The burner cap and the brass port ring can easily be lifted off. Wash these parts in hot soapy water, rinse and dry thoroughly. The burner caps are porcelain enamel, follow the directions on the previous page that were given for the burner grates. A bristle brush can be used to clean out the toothed burner ports, if necessary. Disassembly of the simmer ring is not recommended, however, it may become necessary to do so if the ports remain clogged after normal cleaning. If it is necessary to disassemble the simmer ring from the base, remove the hex nut at the top of the simmer ring. Clean the simmer ring with hot soapy water using a soft wire or plastic bristle brush then dry thoroughly. Re-assemble the parts using the hex nut. After cleaning, it is important to make sure the locating pin on the bottom side of the simmer ring is properly aligned with the corresponding hole in the base and that the locating pin (see insert) in the bottom side of the brass port ring is properly aligned with the locating notch on the top side of the simmer ring. Incorrect alignment will produce a potentially dangerous flame and poor burner performance (see fig. 14).

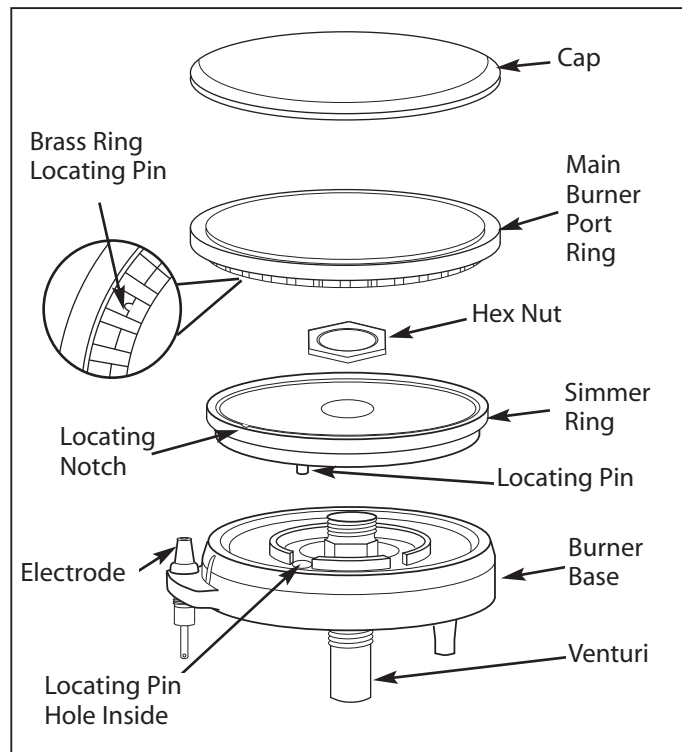


Fig. 14

## IGNITERS

Wipe with a water dampened cotton swab. Be careful not to damage the igniter (see fig. 15).

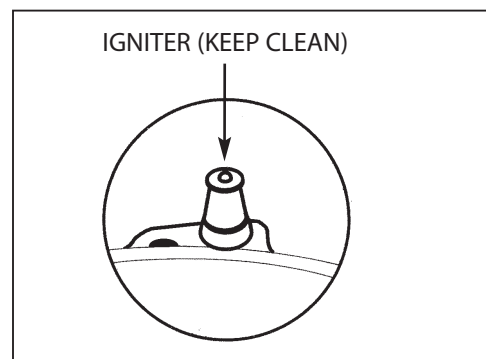


Fig. 15

# CARE AND MAINTENANCE

## DRIP TRAYS & DRAIN TUBES

If you have a griddle or a grill there will be a tray liner. The drip trays are made of stainless steel. The drip trays are on rollers so they are easy to remove and replace. To remove, pull the tray forward. If something has spilled into the trays it should be cleaned up as soon as possible to prevent “baked on” food soil. Grease from the griddle or the grill drains through the drain tube into the tray and liner below. **Do not** allow the grease to accumulate in the tray as it can be a fire hazard. Clean the tube and tray as soon as they are cool. Clean with hot soapy water. For the tube use a soapy bottle brush. A mild abrasive cleaner such as Bon-Ami or Soft Scrub can be used. For stubborn stains use a soap filled steel wool pad, or a harsh abrasive such as: Comet® or Ajax®, rubbing lightly. Rinse all parts thoroughly.

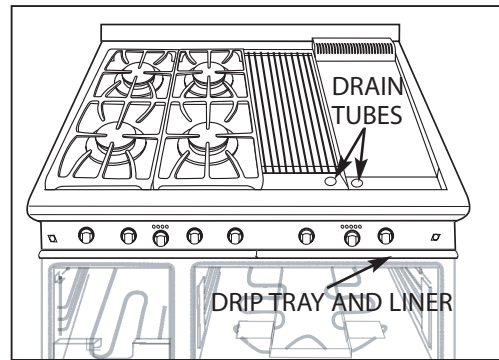


Fig. 16

## GRIDDLE

Thoroughly clean the griddle of grease and food particles, using a square edged spatula, while it is still hot. Once the griddle has cooled to a lukewarm temperature rub the surface lightly with vegetable oil (do not use corn oil, it gets sticky). Thoroughly wipe the griddle with a heavy coarse cloth or burlap to remove any remaining residue and food particles. If you have a grease build-up use one tablespoon of vinegar in a 1/2 cup of water, clean with a scouring cloth such as a Chore Boy® Scouring Cloth. For heat discoloration use a stainless steel cleaner for heat stains such as Revere Ware® Stainless Steel Cleaner. Wash with hot soapy water, rinse and dry. If food soil or residue is cooked onto the griddle, use a griddle stone (fine grained pumice), or a griddle pan and screen cleaner (these are both available at restaurant supply store), following the manufacturers' directions. Wash with hot soapy water, rinse and dry. If hot soapy water, vinegar, scouring powder, steel wool or metal scouring pads are used to clean the griddle, it must be re-seasoned. Follow the directions on page 14 to reseason the griddle.

***NEVER FLOOD THE HOT GRIDDLE WITH COLD WATER. This could cause the griddle to crack or warp.***

## GRILL

Clean the grill immediately after cooking. Turn off the burner. To protect your hand from steam and heat, wear a barbecue mitt. Scrub the grill by dipping a brass bristle barbecue brush frequently into a bowl of water. The steam created softens the food particles and assists the cleaning process. The food particles will drop into the drip tray or into the radiant tray holding the radiants. Be sure to clean the drain tube, drip tray and liner after they have cooled. Follow directions above. The radiant tray and radiants, should be removed periodically (when cool) and shaken over a layer of newspaper, which can be thrown away.

## CONTROL KNOBS - COOKTOP AND OVEN

These are plastic and can be cleaned in hot, soapy water. To remove the knobs from the control panel, grasp the knob and pull straight back towards you and away from the grill. Wash, do not soak. Rinse and dry thoroughly. It is important to replace these knobs on the correct gas valve, on the control panel. The cooktop and grill control knobs are similar, the cooktop knobs have a setting for “Simmer”, the grill does not. The oven and griddle control knobs are similar, they both have temperatures on them, oven knob has a “Broil” setting, the griddle does not.

# CARE AND MAINTENANCE

## BACKGUARD

This is made of stainless steel. Use the mildest cleaning procedure first. Hot soapy water, rinse and dry. If the panel has food soil remaining, try a general kitchen cleaner, such as Fantastik®, Simple Green® or Formula 409®. For hard to clean soil use a stainless steel cleaner such as, Bon-Ami, Cameo®, or Bar Keepers Friend. Apply cleaner with a damp sponge, rinse thoroughly and dry. Always scrub lightly in the direction of the grain. Do not use a steel wool pad, it will scratch the surface. To touch up noticeable scratches in the stainless steel, sand very lightly with dry 100 grit emery paper, rubbing in the direction of the grain. After cleaning use a stainless steel polish, such as Stainless Steel Magic®. If the rear top burners are used extensively on high it is possible for the vertical stainless steel panel to discolor from the burner heat. This discoloration can be removed by using Revere Ware Stainless Steel Cleaner.

## OVEN AND DOOR INTERIOR

If in the event the oven door comes off track, or becomes misaligned, realignment can be achieved by following this simple procedure: Open the door and hold it all the way open. Close the hinge latches (see fig. 16). Once both hinges are locked, gently lift the door up and partially out until the door is evenly aligned. Evenly slide the door back into place and check to assure the hinges rest in the center of each door hinge roller. With the oven door fully open, unlock hinge latches and the door is ready to close again. Be sure the oven and door are cool before you start to clean them. They are matte porcelain enamel. It is acid resistant, but not acid proof. Therefore, acid foods, such as vinegar, rhubarb, alcohol, citric juices or milk, should be wiped and not allowed to bake on. Try mild cleaners, such as: Bon-Ami, ammonia or ammonia and water or Soft Scrub. Apply the powders on a damp sponge or cloth. Rub lightly. Rinse thoroughly and dry. If food has burned onto the oven and is difficult to remove, soak the spots with a cloth saturated with household ammonia. Allow it to soak for an hour or two, with the door closed. The food soil should be easy to remove with a damp soapy cloth or mild abrasive. A solution of 3 tablespoons ammonia in a 1/2 cup of water may be placed in a warm (not hot) oven over night. This loosens the spills and hardened residue so they are easily wiped up with a clean damp sponge or cloth. For stubborn stains a soap filled steel wool pad can be used. The occasional use of abrasive cleaners is okay, if used too often or vigorously they can eventually harm the enamel. Dampen the pad, rub the surface lightly, rinse thoroughly and dry. Commercial oven cleaners, such as Easy Off® or Dow® can be used on the oven interior. Follow the manufacturer's directions. Commercial oven cleaners are corrosive to the thermostat bulb and infrared broiler burner. Do not spray or wipe this type cleaner onto the oven thermostat bulb or broiler burner. If some cleaner gets onto the bulb or broiler burner, wipe it off immediately with a clean damp cloth.

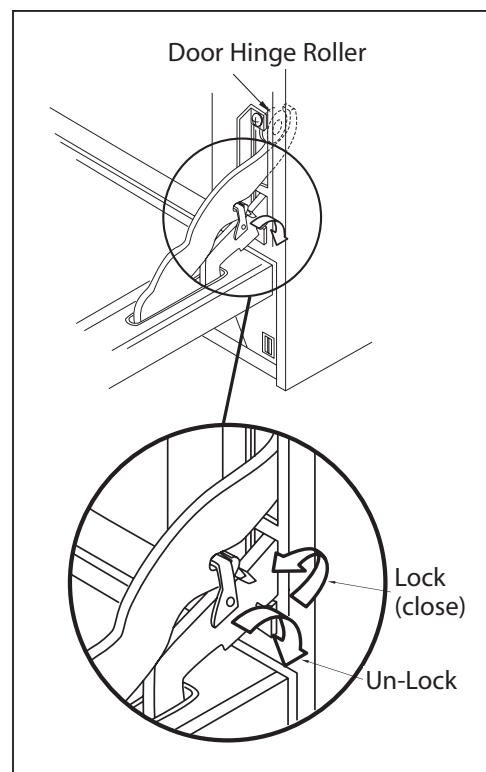


Fig. 16

# CARE AND MAINTENANCE

## OVEN RACKS AND RACK SUPPORTS

All of the oven racks and 12" rack supports are chrome plated steel. The roller assisted rack supports in the main oven are stainless steel. To remove the 12" Oven rack supports, first remove the oven racks, then grasp the rack supports and pull up and out. To replace the rack supports, put the top in first. See page 25 for removal of the self cleaning Oven Roller Assisted Rack Support Assemblies. Do Not immerse the self cleaning Rack Slide Assemblies or wash in a dishwasher. Use a damp sponge, cloth, or steel wool with a mild detergent to clean. Chrome cleaners, such as Soft Scrub, Cameo or Bar Keepers Friend can be applied with a damp sponge following package directions. Rinse and dry. Powdered cleaners such as Bon-Ami or Comet are applied with a damp sponge or cloth, rubbed lightly, rinsed and dried. For hard to remove food soil use a dampened soap filled steel wool pad, rinsed and dried. Harsh Cleaners which are commercial oven cleaners, such as Easy Off or Dow can be used on the racks, but are not recommended for use on the self cleaning oven rack slide assemblies or oven interiors. Additionally, some commercial oven cleaners cause darkening and discoloration. Test the cleaner on a small part of the rack and check for any discoloration before cleaning the entire rack. Apply a generous coating. Allow to stand for 15 to 20 minutes. Rinse thoroughly and dry. After being cleaned, if the racks do not slide easily, pour a small amount of cooking oil on a paper towel and rub it lightly over the side rails.

## FRAME, SIDES, DOOR EXTERIOR, HEAT DEFLECTOR

These parts are made of stainless steel, follow the directions for the Backguard. Take care when cleaning the door top, and do not let water or cleaners run down the vents. If water or cleaners spill into the vents, they may streak the glass inside the door.

## DOOR GASKET

Use a general kitchen spray cleaner, such as Formula 409® or Fantastik®. Spray it on and blot dry with a cloth. Do not rub. Do not remove or damage the mesh.

## OVEN LIGHT BULB REPLACEMENT

For oven light bulb replacement use only a 40 watt, 120 volt appliance light bulb. These are available in supermarkets. DO NOT use a standard light bulb in any oven, the heat will break it.

### To Replace the Light Bulb

- 1) Be sure the oven light bulb switch is in the off position. The bottom of the switch is pressed in. Let the cover and the bulb cool completely.
- 2) Remove the light cover. Turn the cover to the left (counterclockwise) to unscrew it.
- 3) Remove the burnt out bulb. Replace it with a 40 watt appliance light bulb only.
- 4) Replace cover. Turn circuit breaker back on, if turned off. (See Caution).

---

### **CAUTION:**

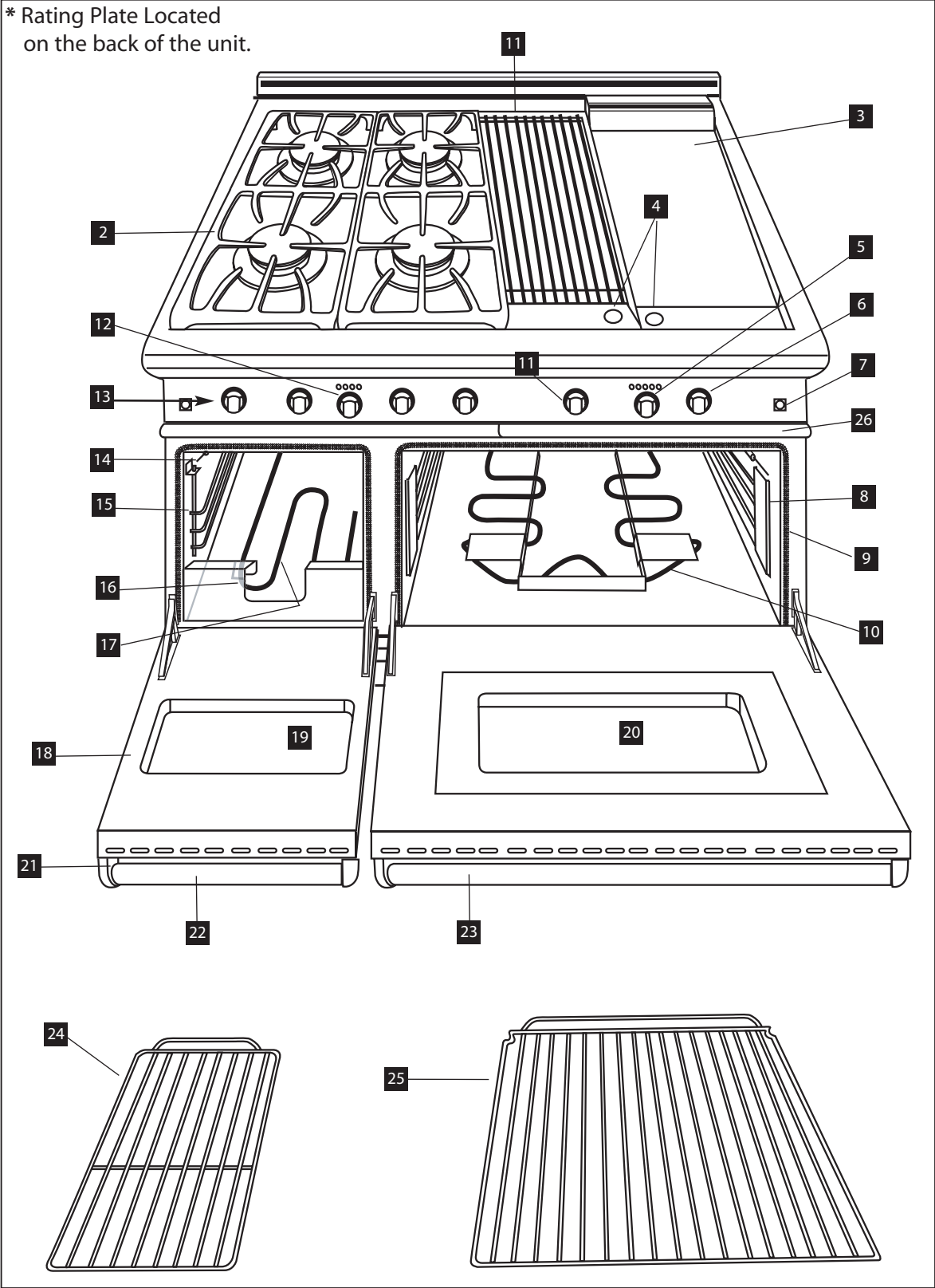
*Be sure the Oven light switch is in the OFF position and the cover is cool. If the bulb comes loose from the base, turn off the power to the oven at the circuit breaker panel, before attempting to remove the bulb base from the socket.*

## POWER FAILURE

The broiler and oven burners cannot be turned on during a power failure. To light the open top burners, turn the control knob to "LITE", hold a lighted match to the port ring. After the flame is burning all the way around the burner, adjust the flame. It is necessary to light each burner separately, each time you want to use it.

# PARTS IDENTIFICATION

\* Rating Plate Located on the back of the unit.

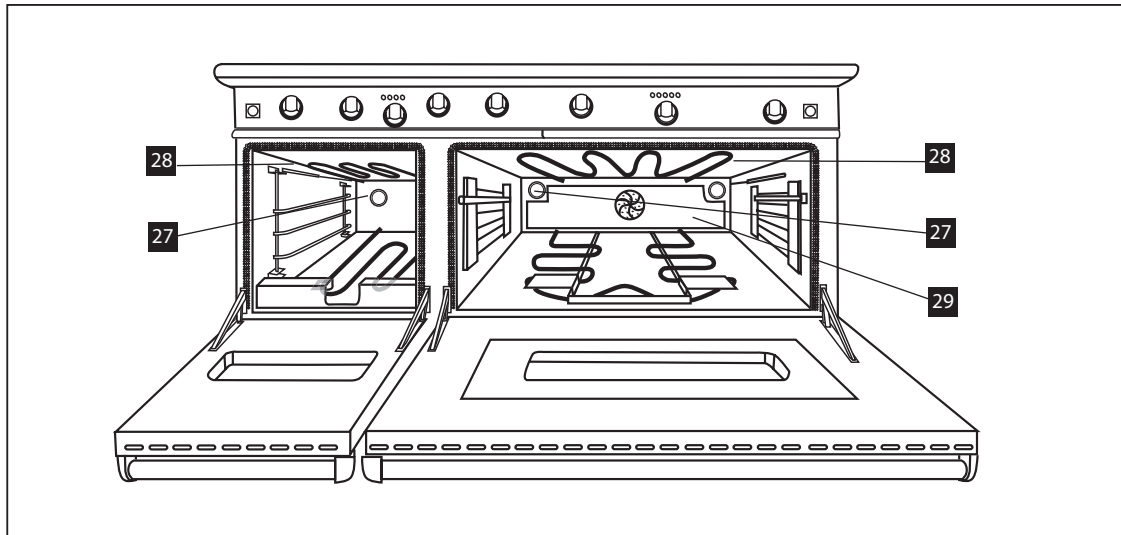




# PARTS IDENTIFICATION

ITEM	DESCRIPTION
1	Grill
2	Burner Grates
3	Griddle
4	Drain Tubes
5	27" Oven Control Knob
6	Griddle Control Knob
7	Oven Light Switch
8	Oven Rack Slides
9	Oven Door Gasket
10	Oven Heating Element
11	Grill Control Knob
12	Proofing Control Knob
13	Burner Control Knob
14	Thermostat Bulb
15	Oven Rack Slides

ITEM	DESCRIPTION
16	12" Oven Crumb Catch Tray
17	Oven Heating Element
18	12" Oven Door
19	12" Oven Window
20	27" & 24" Oven Window
21	Endcap
22	12" Oven Door Handle
23	27" & 27" Oven Door Handle
24	12" Oven Rack
25	27" & 24" Oven Racks
26	Drip Tray
27	Oven Light
28	Oven Heating Element
29	Convection Fan Baffle



# HOW TO OBTAIN SERVICE

---

## BEFORE YOU CALL FOR SERVICE

- Is the circuit breaker tripped or the fuse blown?
- Is there a power outage in the area?

## IF THE COOKTOP BURNERS DO NOT LIGHT

- Is the two piece burner put together correctly?
- Is the burner head assembly aligned correctly?
- Is the manual shut-off valve open? This is usually located where the gas comes out of the wall.

For warranty service, contact DCS Customer Service at (888) 281-5698. Before you call, please have the following information ready:

- Model Number (located on rating plate backside of kickpanel).
- Serial Number
- Date of installation
- A brief description of the problem

Your satisfaction is of the utmost importance to us. If a problem cannot be resolved to your satisfaction, please write, fax, or email us at:

Write:

DCS

Attention: Consumer Relations

5800 Skylab Road

Huntington Beach, CA 92647

Fax us at: (714) 372-7004

email: [support@dcsappliances.com](mailto:support@dcsappliances.com)

# WARRANTY

## Length of Warranty:

**One (1) Year** Full parts and Labor. Covers the entire product.

**Five (5) Year** Surface burners, griddle burners, grill burner, oven burners.

**Ten (10) Year** Limited Porcelain oven liner, porcelain inner door panel.

## DCS Will Pay For

All repair labor and parts found to be defective due to materials or workmanship for one full year "IN HOME" warranty during the first year of ownership. This does not apply if the unit was subjected to other than normal household use. Service must be provided by Authorized Factory Agent during normal working hours. No charges will be made for repair or replacement at the location of initial installation or factory for parts returned pre-paid, through the dealer and claimed within the warranty period, and found by DCS to be defective.

Replacement will be F.O.B. DCS, and DCS will not be liable for any transportation costs, labor costs, or export duties. This warranty shall not apply, nor can we assume responsibility for damage that might result from failure to follow manufactures instructions or local codes, where the appliance has been tampered with or altered in anyway or which, in our judgement, has been subjected to misuse, negligence, or accident. Implied warranty shall not extend beyond the duration of this written warranty. This warranty is in lieu of all warranties expressed or implied and all other obligations or liability in connection with the sale of this appliance.

## DCS Will Not Pay For

- Installation or start-up.
- Shipping damage.
- Service by an unauthorized agency.
- Damage or repairs due to service by an unauthorized agency or the use of unauthorized parts.
- Service during other than normal working hours.
- Improper installation, such as improper hook-up, etc.
- Service visits to teach you how to use the appliance; correct the installation; reset circuit breakers or replace home fuses.
- Repairs due to other than normal household use.
- Damage caused from accident, abuse, alteration, misuse, incorrect installation or installation not in accordance with local codes.
- Units installed in non-residential application such as day care centers, bed and breakfast centers, churches, nursing homes, restaurants, hotels, schools, etc.

This warranty applies to appliances used in residential applications; it does not cover their use in commercial situations. This warranty is for products purchased and retained in the 50 states of the U.S.A., the District of Columbia and Canada. This warranty applies even if you should move during the warranty period. Should the appliance be sold by the original purchaser during the warranty period, the new owner continues to be protected until the expiration date of the original purchaser's warranty period. This warranty gives you specific legal rights. You may also have other rights which vary from state to state.

# NOTES

---





PERFECT HEAT.™

# CUISINIÈRE PROFESSIONNELLE RDS

Manuel d'utilisation et d'entretien



## MODÈLES :

RDS-305	RDS-484GG
RDS-366	RDS-485GD
RDS-364GL	RDS-486GL
RDS-364GD	RDS-486GD



# À NOTRE CLIENTÈLE

Nous vous remercions d'avoir choisi cette cuisinière mixte DCS. Nous avons conçu ce Manuel d'utilisation et d'entretien pour expliquer les fonctions uniques de cet appareil. Ce manuel contient des informations extrêmement utiles sur la façon correcte de faire fonctionner votre nouvelle cuisinière mixte DCS et d'en faire l'entretien. Vous pourrez ainsi cuisiner pendant des années en toute sécurité.

Aidez-nous à mieux vous servir en remplissant la Carte d'enregistrement du propriétaire et en nous la soumettant depuis notre site Web à [www.dcsappliances.com](http://www.dcsappliances.com). Sélectionnez « Service à la clientèle » sur la page d'accueil puis « Enregistrement du propriétaire », ou envoyez-nous par courrier la Carte d'enregistrement du propriétaire à l'adresse ci-dessous. De plus, gardez ce manuel à portée de main afin de rapidement trouver réponse à vos questions durant l'utilisation de votre nouvel appareil.

Si vous avez des questions au sujet de notre produit, communiquez avec un représentant du service à la clientèle DCS par téléphone : 1-888-281-5698, ou par télécopieur : 714-372-7004, ou email : [support@dcsappliances.com](mailto:support@dcsappliances.com), ou par courrier :

DCS

Attention : Customer Service

5800 Skylab Road, Huntington Beach, CA 92647 États-Unis

---

## AVERTISSEMENT

*Si les informations de ce manuel ne sont pas suivies à la lettre, un incendie ou une explosion peuvent se produire et causer des dommages matériels, des blessures ou la mort. Évitez de stocker ou d'utiliser de l'essence ou toutes autres vapeurs et liquides inflammables à proximité de cet appareil électroménager ou de tout autre.*

---

## AVERTISSEMENT

*Pour réduire les risques de blessures en cas de feu graisse sur la cuisinière respectez les consignes suivantes : étouffez les flammes à l'aide d'un couvercle hermétique, d'une plaque à biscuits ou d'un plateau métallique, puis éteignez le brûleur. Évitez de vous brûler. Si les flammes ne s'éteignent pas immédiatement, évacuez les lieux et appelez les pompiers. Ne soulevez jamais un récipient en feu - Vous pourriez vous brûler. N'UTILISEZ PAS D'EAU, y compris des serviettes mouillées - une explosion de vapeur violente pourrait en résulter. Utilisez un extincteur SEULEMENT si :*

- 1. Vous êtes sûr qu'il s'agit d'un extincteur de classe ABC et savez comment le faire fonctionner.*
- 2. Le feu est limité et restreint à la zone où il s'est déclenché.*
- 3. Le service des pompiers a été appelé.*
- 4. Vous pouvez combattre l'incendie le dos tourné vers une sortie.*

---

## CONSIGNES DE SÉCURITÉ SI VOUS SENTEZ UNE ODEUR DE GAZ

- *N'essayez pas d'allumer aucun appareil électroménager.*
- *Ne touchez aucun interrupteur électrique; n'utilisez aucun téléphone dans l'édifice.*
- *Appelez immédiatement votre fournisseur de gaz de chez un voisin. Suivez les instructions du fournisseur de gaz.*
- *Si vous n'arrivez pas à joindre votre fournisseur de gaz, appelez les pompiers. Toute installation ou service doit être confié à un installateur qualifié, un organisme de service ou le fournisseur de gaz.*

**VEUILLEZ CONSERVER CE MANUEL À TITRE DE RÉFÉRENCE.**

# TABLE DES MATIÈRES

---

<b>CONSIGNES DE SÉCURITÉ</b> .....	3-5
<b>IDENTIFICATION DU MODÈLE</b> .....	6
<b>AVANT D'UTILISER VOTRE APPAREIL</b> .....	7-8
<b>UTILISATION DE LA TABLE DE CUISSON</b> .....	9-12
Utilisation du brûleur .....	9
Efficacité des brûleurs et caractéristiques de la flamme .....	10
Anneau de Wok .....	11-12
<b>UTILISATION DU GRIL</b> .....	12-13
<b>UTILISATION DE LA PLAQUE CHAUFFANTE</b> .....	14-15
<b>UTILISATION DU FOUR</b> .....	15-25
Cuisson par convection .....	16
Cuisson normale .....	16
Grillage .....	16
Conversion des recettes pour la cuisson par convection .....	16-17
Sélection des ustensiles pour la cuisson par convection .....	17
Préchauffage .....	18
Réglage du four pour la cuisson .....	18-19
Grilles du Four .....	19
Grillage .....	20-21
Cuisson lente / Cuisson à basse température .....	21
Températures suggérées pour garder les aliments chauds .....	22
<b>MODE D'APPRÊT ET D'AUTONETTOYAGE</b> .....	23-24
Réglage du four de 12 po pour l'apprêt des aliments .....	23
Verrouillage de la porte du four durant l'autonettoyage .....	24
Avant l'autonettoyage du four .....	24
Ensemble des coulisses des grilles du four .....	24
Réglage du four pour l'autonettoyage .....	25
À la fin du cycle de nettoyage .....	25
<b>ENTRETIEN ET MAINTENANCE</b> .....	26-30
Nettoyage de la cuisinière, de la table de cuisson, des allumeurs, des brûleurs, des lèchefrites, de la plaque chauffante, du gril, des boutons de réglage et du dossier .....	26-29
Intérieur du four et de la porte .....	29
Remplacement de l'ampoule de lampe du four .....	30
Panne d'alimentation .....	30
<b>PIÈCES DE RECHANGE</b> .....	31-32
<b>POUR L'OBTENTION DE SERVICE</b> .....	33
<b>GARANTIE</b> .....	34



# MESURES DE SÉCURITÉ ET DE PRÉCAUTION

Votre nouvel appareil DCS fonctionnera de manière sûre et fiable pendant des années si vous en prenez bien soin. Faites extrêmement attention quand vous utilisez cet appareil de niveau professionnel, car il dégage une chaleur intense et peut augmenter les risques d'accidents. Vous devez respecter des consignes de sécurité élémentaires durant l'utilisation d'appareils de cuisine, dont celles-ci :

- Veuillez lire attentivement ce manuel d'utilisation et d'entretien avant d'utiliser votre nouvel appareil. Ceci vous permettra de réduire les risques d'incendie, de choc électrique ou de blessures.
- Commencez par vous assurer que l'installation et l'entretien sont effectués correctement. Suivez les instructions d'installation fournies avec cet appareil. Avant d'utiliser l'appareil, confiez son installation et sa mise à la terre à un technicien qualifié.
- Demandez-lui de vous montrer l'emplacement du robinet d'arrêt de l'alimentation de gaz afin de savoir comment couper l'arrivée de gaz.
- Si vous sentez une odeur de gaz, cela signifie que l'installateur n'a pas vérifié correctement s'il y avait des fuites. Si les connexions ne sont pas complètement étanches, une petite fuite pourrait se produire et laisser s'échapper une faible odeur de gaz. La détection des fuites n'est pas une procédure à faire soi-même. Certaines fuites ne peuvent être détectées que si la commande du brûleur est sur ON. Dans l'intérêt de votre sécurité, confiez cette procédure à un technicien qualifié.
- Si jamais un brûleur s'éteint et laisse s'échapper du gaz, ouvrez la fenêtre ou la porte pour évacuer l'air. N'essayez pas d'utiliser l'appareil avant que le gaz ne se soit complètement dissipé. Suivez les instructions de la page 1, « Pour votre sécurité - Si vous sentez une odeur de gaz ».
- Cet appareil électroménager a été monté en usine pour être utilisé avec du gaz naturel ou propane. Il doit être réglé correctement en usine selon le type de gaz utilisé.
- Ne réparez pas ni ne remplacez aucune pièce de cet appareil, sauf indication contraire du manuel. Tout autre travail d'entretien doit être confié à un technicien qualifié.
- Les enfants ne doivent pas être laissés seuls ou sans surveillance dans un endroit où l'on utilise ce type d'appareil. Il ne faut jamais les laisser tourner ou enfoncer des boutons, ni s'asseoir ou se tenir debout sur ces appareils.
- Des enfants en marchette ou à quatre pattes peuvent être attirés par la poignée ronde de la porte et la saisir pour ouvrir la porte du four. Ils pourraient alors se blesser si la porte est ouverte ou se brûler sérieusement si le four fonctionne et qu'il est chaud.

## **MISE EN GARDE :**

***Évitez de ranger sur les appareils ou à l'arrière des articles pouvant attirer les enfants. Les enfants peuvent être blessés sérieusement s'ils grimpent sur l'appareil pour atteindre ces articles.***

- Ne rangez jamais rien dans le four ni sur la table de cuisson. Des matériaux inflammables pourraient prendre feu, des éléments en plastique pourraient fondre ou s'enflammer et d'autres types d'objets pourraient être détruits.
- Ne suspendez aucun article sur l'appareil et ne placez aucun objet contre le four. Certains matériaux sont très inflammables et pourraient prendre feu.
- Si l'appareil se trouve près d'une fenêtre, assurez-vous que les rideaux sont suffisamment éloignés des brûleurs de la table de cuisson; ils pourraient prendre feu sinon.
- Ne versez pas d'eau sur les feux de graisse. ÉTEIGNEZ tous les brûleurs, puis étouffez le feu avec du bicarbonate de soude ou à l'aide d'un extincteur à poudre ou à mousse.

# MESURES DE SÉCURITÉ ET DE PRÉCAUTION

- Ne laissez jamais des vêtements, gants ou autres matériaux inflammables en contact ou à proximité d'un brûleur ou d'une grille de brûleur tant que ces derniers n'ont pas refroidi. Les tissus peuvent s'enflammer et causer des blessures.
- Utilisez seulement des gants isolants secs : les gants humides sur des surfaces chaudes peuvent provoquer des brûlures causées par la vapeur. N'utilisez pas de serviette ou de linge épais à la place de gants isolants. Ne laissez pas les gants isolants toucher les brûleurs ou leurs grilles.
- Pour assurer votre propre sécurité, habillez-vous de façon appropriée. Ne portez jamais de vêtements ou de manches lâches lorsque vous utilisez l'appareil. Certains tissus synthétiques sont extrêmement inflammables et ne doivent pas être portés pendant la cuisson.
- Ne recouvrez aucune partie du four ou de la table de cuisson avec du papier aluminium. L'utilisation de papier aluminium peut créer un risque d'incendie ou empêcher la circulation du flot d'air de combustion et de ventilation. C'est un excellent isolant thermique qui peut emprisonner la chaleur, laquelle peut alors affecter la performance de la table de cuisson et endommager la finition du four ou des pièces de la table de cuisson.

## **AVERTISSEMENT :**

*cet appareil électroménager est destiné à la cuisson. Pour des raisons de sécurité, n'utilisez jamais le four ou la table de cuisson pour chauffer une pièce. De plus, une telle utilisation peut endommager les pièces de la table de cuisson ou du four.*

- Durant l'utilisation de la table de cuisson : ne touchez pas les grilles des brûleurs ou les surfaces adjacentes. Ces surfaces peuvent devenir suffisamment chaudes pour provoquer des brûlures.
- Durant l'utilisation du four, évitez de toucher les surfaces intérieures du four, la surface extérieure autour de la porte et la garniture arrière. Les surfaces situées directement au-dessus de la porte du four peuvent être chaudes si le four a fonctionné avec la porte ouverte ou si quelque chose a empêché la porte de se fermer.
- Ne laissez jamais la table de cuisson sans surveillance lorsque vous cuisinez à flamme haute. Un débordement par bouillonnement pourrait produire de la fumée et un déversement graisseux qui pourrait prendre feu. Et, ce qui est plus grave, si les flammes des brûleurs sont étouffées par un débordement important affectant l'allumeur, le gaz non brûlé s'échappera dans la pièce.
- Seuls certains types d'ustensiles en verre, vitrocéramique calorifugée, céramique, poterie ou émaillés sont appropriés pour être utilisés sur la table de cuisson. Ce genre d'ustensile peut se briser à la suite de changements de température soudains. Utilisez-les seulement à feu doux ou moyen selon les instructions du fabricant.
- Ne chauffez pas de contenant de nourriture fermé car la pression pourrait s'accumuler et le faire exploser.
- Durant la cuisson, réglez la commande du brûleur de sorte que la flamme ne chauffe que le fond du récipient et ne le dépasse jamais. Cela pourrait sinon chauffer ou faire fondre les poignées.
- Servez-vous toujours d'ustensiles à fond plat suffisamment larges pour couvrir les brûleurs. L'utilisation d'ustensiles trop petits risque d'offrir un contact direct à la flamme et de mettre le feu aux vêtements.
- Afin de réduire le risque de brûlures, d'allumage de matériaux inflammables et de déversement involontaire, tournez les poignées des ustensiles vers l'intérieur afin qu'elles ne surplombent pas les surfaces de travail adjacentes, les zones de cuisson et le bord extérieur de la table de cuisson.
- Tenez la poignée du récipient afin d'empêcher tout mouvement de l'ustensile lorsque vous retournez ou remuez la nourriture.

# MESURES DE SÉCURITÉ ET DE PRÉCAUTION

---

- La graisse est inflammable. Laissez toute graisse chaude refroidir avant d'essayer de la manipuler. Évitez de laisser la graisse s'accumuler autour des brûleurs de la table de cuisson. Nettoyez après chaque utilisation ou déversement.
- Pour assurer un bon allumage et une bonne performance des brûleurs de la table de cuisson, gardez leurs ports dans un état propre. Il peut s'avérer nécessaire de nettoyer ceux-ci en cas de débordement ou lorsque le brûleur ne s'allume pas, même si les allumeurs électroniques cliquent.
- Nettoyez la table de cuisson avec précaution. Évitez de vous brûler à la vapeur : n'utilisez pas d'éponge ou de linge mouillé pour nettoyer l'appareil alors qu'il est encore chaud. Certains produits de nettoyage dégagent des vapeurs nocives au contact d'une surface chaude. Respectez le mode d'emploi du fabricant du produit de nettoyage.
- Assurez-vous que les boutons de la cuisinière ou de la table de cuisson sont fermés et que l'appareil est froid avant d'utiliser des nettoyeurs aérosol sur l'appareil ou à proximité. L'élément chimique qui produit le jet de vaporisation peut, en présence de chaleur, s'enflammer ou provoquer la corrosion des parties métalliques.
- Placez les grilles de four à la position voulue quand le four est froid. Si vous devez déplacer une grille alors que le four est encore chaud, ne laissez pas les gants isolants toucher l'intérieur chaud du four.
- Faites attention lorsque vous ouvrez la porte du four; laissez s'échapper l'air chaud ou la vapeur avant de retirer ou remplacer les aliments.
- Évitez de frotter, endommager, déplacer ou enlever le joint de la porte, car il est essentiel à l'obtention d'une bonne cuisson.
- Nettoyez fréquemment la hotte et les filtres de ventilation surplombant la cuisinière ou table de cuisson afin d'empêcher toute accumulation de graisse provenant des vapeurs de cuisson.
- ÉTEIGNEZ le ventilateur en cas d'incendie ou si vous flambez intentionnellement des liqueurs ou des spiritueux sur la table de cuisson. Si le ventilateur est en marche, il pourrait en effet répandre les flammes.
- ÉVITEZ de bloquer la circulation de l'air de combustion ou de ventilation. Assurez toujours un apport d'air frais.
- Pour des raisons de sécurité et pour ne pas endommager l'appareil, évitez de vous asseoir, de vous tenir debout ou de vous appuyer contre la porte du four ou la surface de cuisson.
- Les réparations doivent être effectuées par des techniciens agréés uniquement. Ceux-ci doivent débrancher le bloc d'alimentation avant de travailler sur l'appareil.

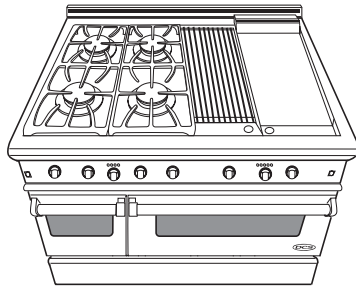
---

## **AVERTISSEMENT :**

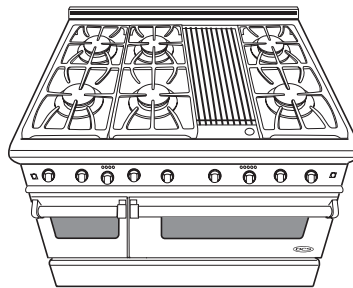
*Proposition 65 de la Californie - L'incinération de gaz de cuisson génère des sous-produits considérés par l'État de Californie comme pouvant causer le cancer ou des malformations congénitales. Les lois de Californie exigent que les entreprises avertissent leurs clients qu'ils risquent d'être exposés à de telles substances. Pour minimiser l'exposition à ces substances, faites toujours fonctionner l'appareil conformément aux instructions contenues dans ce manuel et assurez une bonne ventilation lorsque vous cuisinez au gaz.*

# IDENTIFICATION DU MODÈLE

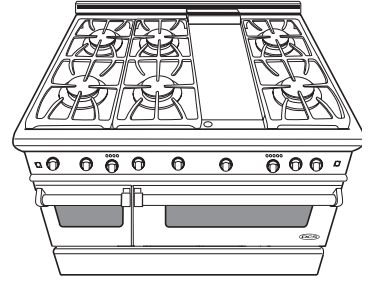
## MODÈLES DE CUISINIÈRES RDS DE 48 PO



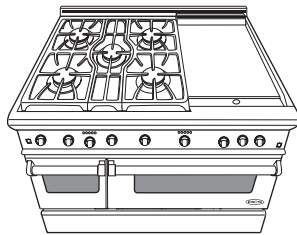
RDS-484GG



RDS-486GL

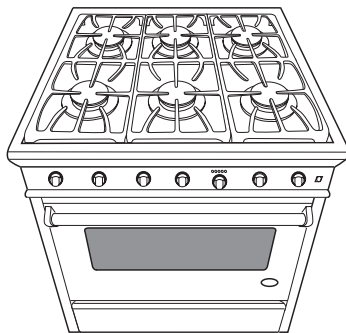


RDS-486GD

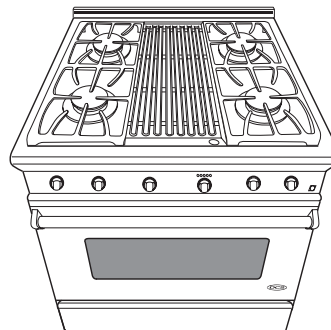


RDS-485GD

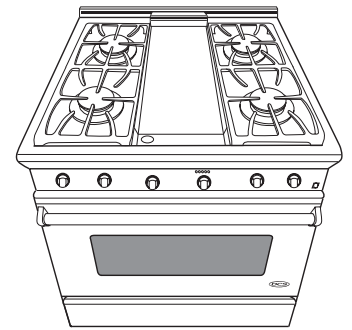
## MODÈLES DE CUISINIÈRES RDS DE 36 PO



RDS-366

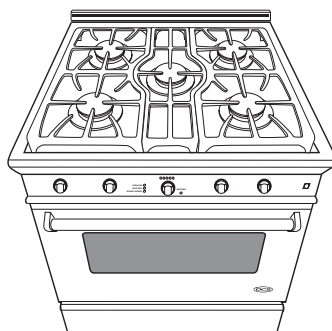


RDS-364GL



RDS-364GD

## MODÈLES DE CUISINIÈRES RDS DE 30 PO



RDS-305

# AVANT D'UTILISER VOTRE APPAREIL

1) Retirez tout le matériel d'emballage et les étiquettes de l'appareil. Si un technicien n'a pas installé votre appareil, faites-le maintenant. Vérifiez que vous disposez de tous les éléments suivants :

## TABLE DE CUISSON :

- Plaque chauffante - (modèles RDS-364GD, RDS-486GD, RDS-484GG et RDS-485GD seulement)
- Grilles de gril, 2 morceaux - (Modèles RDS-364GL, RDS-486GL et RDS-484GG seulement)
- 5 ensembles de brûleurs, capuchons de brûleur et grilles (Modèles RDS-305 et RDS-485GD seulement)
- Plateau radiant - contient les tiges en céramique du gril - (modèles RDS-364GL, RDS-486GL et RDS-484GG seulement)
- Une lèchefrite amovible (les modèles à plaque chauffante et gril sont dotés d'une cuve de lèchefrite qui recueille la graisse)

## FOUR DE 27 ET 24 POUCES :

- Deux ensembles amovibles en acier inoxydable de coulisses à grilles à 3 positions
- Une lèchefrite en deux morceaux
- Trois grilles du four

## FOUR DE 12 POUCES :

- Deux grilles de four
- Deux supports de grille amovibles
- Une lèchefrite en deux morceaux

2) Placez les grilles du four dans la bonne position avant d'allumer le four. Consultez votre recette pour connaître la bonne position de la grille. La position la plus fréquente est la position numéro 2. Les positions des grilles sont numérotées de bas en haut comme les étages d'un bâtiment.

- N'utilisez pas de papier aluminium pour recouvrir les grilles ou le four. Il peut emprisonner la chaleur, ce qui peut endommager le four et empêcher la bonne cuisson des aliments.

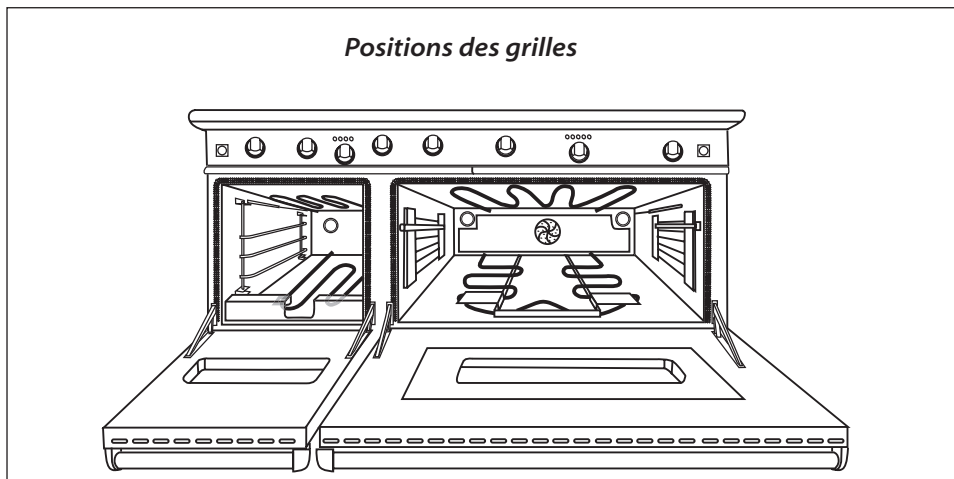


FIG. 1

# AVANT D'UTILISER VOTRE APPAREIL

---

## **3) Avant de rôtir ou de griller :**

Allumez un par un le four et les brûleurs du grilloir pendant 20 à 30 minutes chaque. Cela permet de brûler les huiles de fabrication utilisées en usine. Mettez le brûleur du four sur 450 °F et celui du grilloir sur « Broil » (griller). Allumez le ventilateur au-dessus de la cuisinière lorsque ces brûleurs sont allumés, car ils dégagent une certaine odeur.

## **POUR INTRODUIRE LES GRILLES DU FOUR :**

- 1) Tenez la grille avec le rail de sécurité arrière relevé en direction du fond du four. Glissez-la dans le four de manière à ce que les coulisses de la grille se trouvent entre la grille et les guides de celle-ci.
- 2) Tout en glissant la grille dans le four, inclinez légèrement le devant de la grille vers le haut de façon à dégager les butées de sécurité, situées à l'arrière de la grille, des coulisses de la grille. Les butées de sécurité empêchent la grille de sortir complètement du four lorsqu'on la tire vers l'extérieur.

## **POUR RETIRER OU REPOSITIONNER LES GRILLES :**

- 1) Tirez la grille vers l'avant.
- 2) Soulevez le devant de la grille de façon à dégager les butées de sécurité des coulisses de la grille.
- 3) Tirez la grille vers l'avant.

# UTILISATION DE LA TABLE DE CUISSON

## BRÛLEURS

Votre nouvelle cuisinière à gaz professionnelle est équipée de brûleurs similaires à ceux que l'on utilise dans les restaurants. Ces brûleurs sont conçus pour être extrêmement faciles à nettoyer et régler. Le gros capuchon répand la chaleur du brûleur de mijotage pour éviter une trop forte concentration de chaleur au centre du récipient. Le brûleur de mijotage est toujours allumé lorsque le brûleur est en cours d'utilisation. Ne faites jamais fonctionner le brûleur sans son capuchon.

Tous les brûleurs sont dotés d'un système de rallumage électronique, ce qui évite d'avoir des veilleuses toujours allumées. Si la flamme s'éteint alors que le brûleur principal est allumé, elle se rallume automatiquement.

## CUISSON À PETIT FEU

Votre nouvelle table de cuisson professionnelle est dotée d'une capacité de cuisson à petit feu exceptionnelle. Le gros capuchon agit comme diffuseur évitant la concentration de chaleur en un seul point. N'oubliez pas que, du fait de la forte capacité calorifique du brûleur extérieur et de la masse des grilles de brûleurs en fonte (celles-ci conservent la chaleur plus longtemps que les grilles conventionnelles, plus légères), certains aliments peuvent continuer à cuire par l'action de la chaleur retenue après que le brûleur est éteint. Lorsque

vous allumez le brûleur de mijotage, tournez le bouton du brûleur principal vers la position de mijotage. Si un courant d'air ou un débordement par bouillonnement venait à éteindre la flamme, celle-ci se rallumerait automatiquement en même temps que le brûleur principal.

## ALLUMEURS ÉLECTRONIQUES

Si un brûleur ne se rallume pas, écoutez s'il y a un déclic. Si l'allumeur ne clique pas, ÉTEIGNEZ LE BRÛLEUR. Vérifiez dans le panneau à disjoncteurs si un fusible est grillé ou un disjoncteur s'est déclenché. Si l'allumeur ne fonctionne toujours pas, consultez la page 33, " Avant d'appeler le service technique ". Pour allumer le brûleur manuellement, consultez la page 30« Panne d'alimentation ».

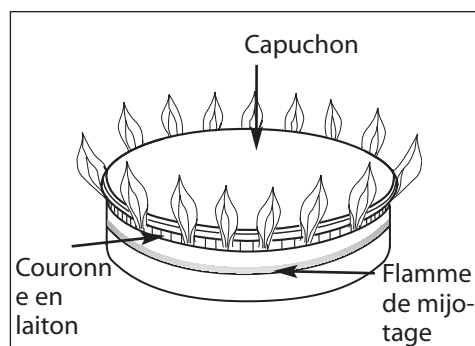


Fig. 2

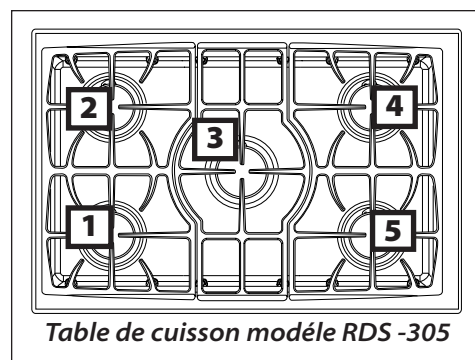


Table de cuisson modèle RDS -305

Empl. du brûleur	BTUH max.			BTUH pour cuisson à petit feu/mijotage	
	30 po Nat.	36/48 po Nat.	Prop.	Nat.	Prop.
1	16 000	17 500	14 000	500-1 200	500-1 200
2	16 000	17 500	14 000	500-1 200	500-1 200
3	17 500	S/O**	14 000	500-1200	500-1200
4	16 000	17 500	14 000	500-1 200	500-1 200
5	16 000	17 500	14 000	500-1 200	500-1 200

\*Remarque - Tous les brûleurs des modèles de 36 et 48 pouces sont prévus pour 17 500 BTUH pour le gaz naturel et 14 000 BTUH pour le gaz propane.

\*\*Pas d'emplacement no. 3 sur les modèles de 36 et 48 pouces.

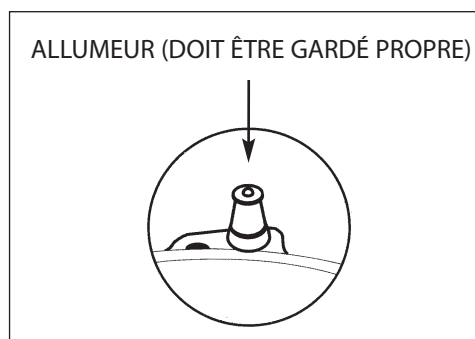


Fig. 3

# UTILISATION DE LA TABLE DE CUISSON

## **REMARQUE :**

*il se peut qu'un léger crépitement ou flash se produise au niveau des ports de brûleur quelques secondes après que le brûleur soit éteint. Ce bruit d'extinction est normal pour le gaz propane.*

## **EFFICACITÉ DES BRÛLEURS ET CARACTÉRISTIQUES DE LA FLAMME**

Il est nécessaire de maintenir les ports des brûleurs et les allumeurs dans un état de propreté afin d'assurer l'allumage correct et le rendement optimal des brûleurs de la table de cuisson. La flamme doit encercler complètement le brûleur sans bruit ou élévation excessive. Les flammes doivent être bleues et stables, sans pointe jaune. Un mauvais mélange d'air et de gaz peut entraîner un fonctionnement irrégulier du brûleur ou produire une flamme à l'extrémité jaune. Confiez le réglage de la flamme à un technicien. Durant l'utilisation initiale, la présence de particules étrangères dans la conduite de gaz ou de poussière dans l'appareil ou dans l'air à proximité de l'appareil peut produire une flamme orange. Ceci disparaît avec l'usage.

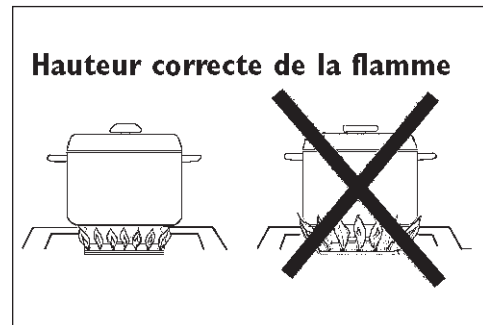


Fig. 4

## **HAUTEUR DE LA FLAMME**

La hauteur correcte de la flamme dépend essentiellement de la taille du fond de l'ustensile de cuisson, du matériau de l'ustensile, de la quantité et du type de nourriture, et de la quantité de liquide dans l'ustensile. Voici quelques règles de base pour sélectionner la hauteur de flamme.

- Pour des raisons de sécurité, la flamme ne doit jamais dépasser le fond du récipient. Ne laissez jamais les flammes lécher les parois de l'ustensile de cuisson (voir fig. 04).
- Les ustensiles qui conduisent lentement la chaleur (tels que ceux en vitrocéramique) doivent être utilisés avec un feu doux ou moyen. Vous pouvez augmenter légèrement le feu si le volume de liquide est important.

## **BRÛLEURS À TÊTE SCELLÉE**

Les brûleurs à tête scellée doivent être gardés propres. Le nettoyage des brûleurs à tête scellée doit comprendre l'allumeur. Les brûleurs à tête scellée de la table de cuisson permettent un réglage continu de la flamme et leurs boutons de réglage ne comportent pas de position fixe entre les niveaux HI et LO. Pour allumer le brûleur à tête scellée de la table de cuisson, enfoncez le bouton de réglage et tournez-le vers la gauche à la position " LITE ". Vous devriez entendre un déclic. Une fois le gaz allumé par l'allumeur électronique, tournez le bouton au réglage voulu. (Cette étape éteint l'allumeur; le déclic devrait donc s'arrêter.)

**REMARQUE :** *l'allumeur continue à cliquer tant que le bouton de réglage est sur la position « LITE ».*

## **MISE EN GARDE :**

*quand vous allumez un brûleur de table de cuisson, prenez soin de vous arrêter à la position « LITE » avant de sélectionner un niveau de flamme pour la cuisson. Si le brûleur n'est pas allumé et qu'il est tourné au-delà de la position « LITE », sur HI, MEDIUM ou LO, un éclat de flamme se produit lorsque le brûleur finit par s'allumer. Cela peut causer des blessures ou endommager le comptoir adjacent.*



# UTILISATION DE LA TABLE DE CUISSON

## GRILLES DES BRÛLEURS

Les grilles des brûleurs sont en fonte robuste. Elles sont constituées en sections, ce qui facilite leur retrait et leur nettoyage. (Voir fig. 05 et 06)

## USTENSILES

Nous vous recommandons d'utiliser des ustensiles professionnels pour obtenir les meilleurs résultats possibles. Vous en trouverez dans les grands magasins de qualité, les boutiques spécialisées ou les fournisseurs en restauration. Si vous utilisez des ustensiles ordinaires, faites très attention s'ils possèdent des manches en plastique, car ces brûleurs de format professionnel ont une puissance de feu capable de faire fondre ou d'enflammer les manches.

## BOUTONS DE RÉGLAGE

Les boutons de réglage sont clairement associés aux brûleurs qu'ils contrôlent. Les boutons de réglage de la table de cuisson sont étiquetés et situés à l'avant des brûleurs. La commande du four est placée légèrement plus bas que les autres boutons de réglage. Ceci est dû aux dimensions physiques des thermostats de type commercial utilisés sur ce produit (voir fig. 07).

## ANNEAU DE WOK

Votre nouvel appareil électroménager DCS comporte un anneau de Wok. Cet anneau est en fonte avec une finition en émail de porcelaine. Il peut être utilisé avec le wok DCS modèle CW ainsi que la plupart des woks vendus dans le commerce. Pour utiliser l'anneau, placez-le sur la grille du brûleur choisi. Les languettes verticales de l'anneau doivent être alignées avec les doigts principaux de la grille. Les petites protubérances sur la surface inférieure de l'anneau doivent surmonter les doigts de la grille pour empêcher l'anneau de tourner durant la cuisson. Voir fig. 8, page 12. La partie inférieure du wok doit être soutenue et retenue par les languettes verticales de l'anneau.

Pour assurer un rendement optimal sur les cuisinières de 30 po, placez l'anneau sur le brûleur central car c'est le plus puissant de la section supérieure. En ce qui concerne les cuisinières et tables de cuisson de 36 et 48 pouces, vous pouvez placer l'anneau et le wok sur n'importe quel brûleur de surface. Pour nettoyer l'anneau de Wok, mettez-le dans le lave-vaisselle après utilisation. Pour éliminer les éclaboussures et aliments séchés, laissez tremper pour les ramollir, puis lavez comme d'habitude.

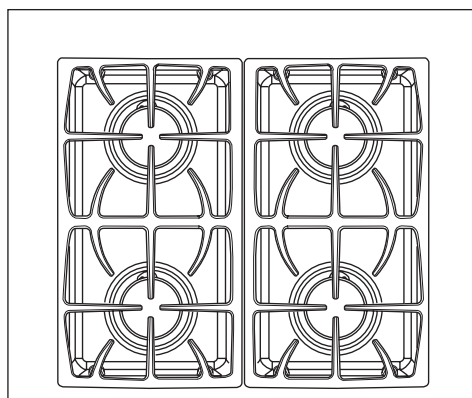


Fig. 05 (modèles 36 et 48 po)

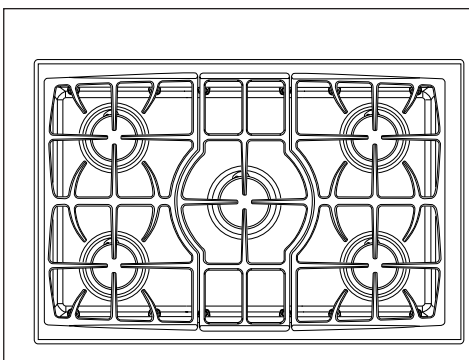


Fig. 06 (modèles 305 et 485)



Fig. 07

# UTILISATION DU GRIL

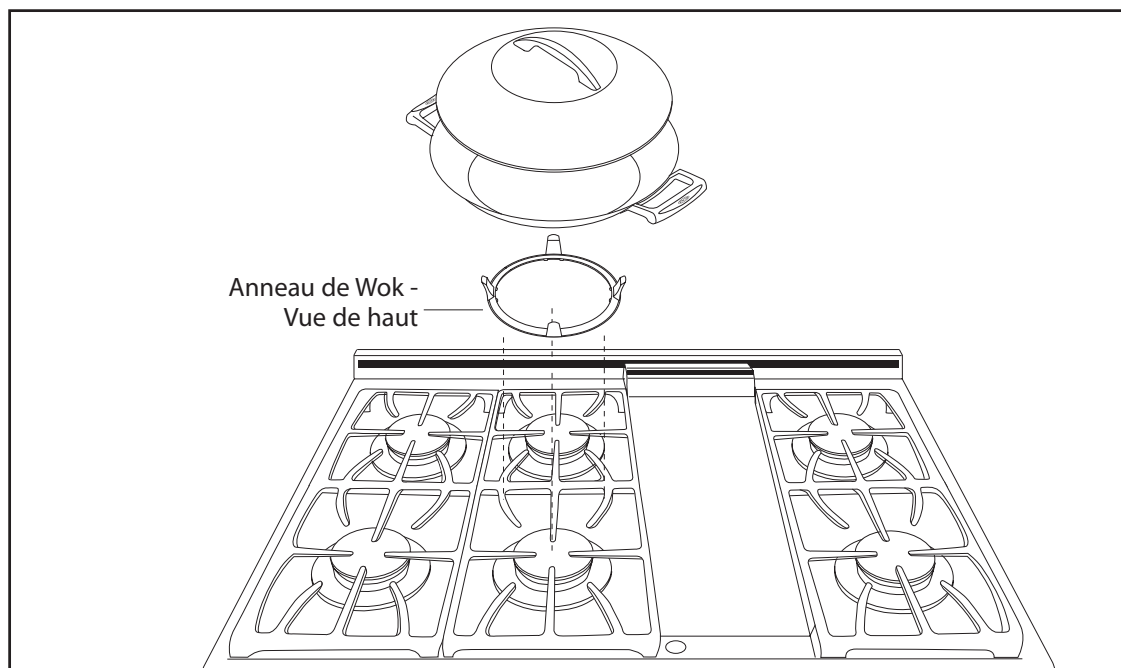


Fig. 8

## GRIL

Les deux grilles du gril sont réversibles (voir fig. 9). Placez le côté avec deux languettes rainurées vers l'arrière de la table de cuisson. Les grilles du gril sont faites d'émail de porcelaine sur fonte très durable. Un côté de la grille comporte des arêtes (côté A); il est conçu pour laisser passer la graisse provenant d'aliments gras (ex. bifteck ou galettes de hamburger). Les arêtes sont inclinées afin que le gras s'écoule vers l'avant du gril et se dirige facilement vers la section la plus froide de la lèchefrite, à l'écart de la chaleur intense du brûleur. L'autre côté de la grille (côté B) est conçu pour les aliments qui exigent un plus grand support durant la cuisson (du poisson p.ex.). Les aliments cuits sur le gril ont la même saveur que ceux que l'on cuit sur un gril de plein air. La chaleur intense produite par les tiges en céramique caramélise les matières grasses et les jus qui sont amenés à la surface des aliments, et leur donnent une saveur de barbecue.

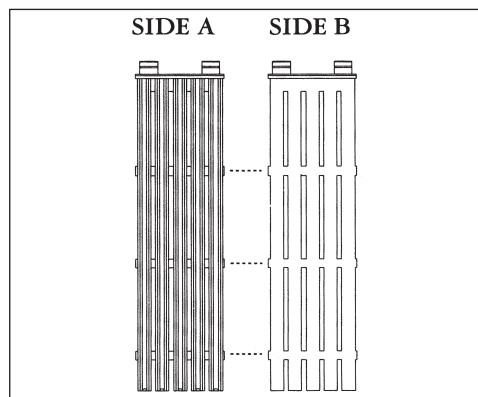


Fig. 9

**REMARQUE :** la cuisson à l'aide de ce gril à gaz peut être un peu plus rapide que vous n'en avez l'habitude.

## TIGES EN CÉRAMIQUE

À condition d'être bien entretenue, la rangée de tiges en céramique sous les grilles du gril peut durer de nombreuses années. Celles-ci sont montées sur le plateau radiant en usine, prêtes à être installées dans le foyer, sous les grilles du gril. Prenez soin de retirer tout le matériel d'emballage du plateau radiant et des tiges avant d'utiliser le gril. Vous pouvez vider les résidus d'aliments brûlés et les cendres

# UTILISATION DU GRIL

du plateau radiant, une fois refroidis, en les secouant dans une poubelle à déchets. Les tiges en céramique peuvent s'écailler ou se fissurer à mesure qu'elles deviennent cassantes avec l'âge, selon la fréquence d'utilisation. Ceci est tout à fait normal et n'affecte pas la cuisson. Ne remplacez pas le plateau radiant et les tiges en céramique par d'autres produits. Communiquez avec DCS pour obtenir des pièces de rechange d'origine.

## UTILISATION DU GRIL

La cuisson sur gril exige un feu vif pour rôtir les aliments et les braiser correctement. Vous devez généralement régler le feu sur HI durant la cuisson. Cependant, pour griller de gros morceaux de viande ou de volaille, il peut s'avérer nécessaire de baisser le feu après le braisage initial. Cela permet de cuire la nourriture sans en brûler l'extérieur. Pour les aliments arrosés d'une marinade sucrée ou d'une sauce barbecue, il est bon de réduire le feu vers la fin du temps de cuisson. ÉVITEZ de laisser le gril sans surveillance s'il est allumé. Avant d'entamer la cuisson sur le gril, assurez-vous que la lèchefrite et sa cuve sont en place et que les grilles du gril sont tournées vers le côté que vous désirez cuire. Mettez le bouton de réglage sur HI et préchauffez le gril pendant 15 minutes. Une fois le gril préchauffé, placez les aliments dessus. Cuisez selon le degré de cuisson voulu. Il peut s'avérer nécessaire d'ajuster le niveau du feu durant la cuisson. Le bouton de réglage peut être réglé à n'importe quelle position entre HI et LO. Une fois la cuisson terminée, laissez refroidir le gril et la lèchefrite avant de les nettoyer. Vous devez les nettoyer après chaque utilisation.

**REMARQUE : plus le gril est préchauffé, plus les marques du gril sont prononcées.**

## ÉRUPTIONS DE FLAMMES EXCESSIVES

Les gouttes de graisse peuvent parfois prendre feu. Dans ce cas, elles produisent de petites flammes pendant une ou deux secondes. Ceci est normal quand on cuit sur le gril. Conservez une bouteille d'eau munie d'un vaporisateur afin de pouvoir arroser les flammes en cas de besoin. Si les flammes sont excessives, retirez les aliments du gril. Réduisez le niveau du feu. Remplacez les aliments une fois les flammes maîtrisées. Pour éviter les éruptions de flammes, coupez le gras autour des bords de bifteck et de côtelette, utilisez du hamburger maigre, enlevez le gras de la volaille, etc. Lorsque vous retournez une sorte de viande ou de volaille quelconque, la graisse fondue s'égoutte sur les tiges en céramique et peut produire une éruption de flammes. Si cela se produit, servez-vous d'une spatule à long manche pour déplacer les aliments.

## CONSEILS DE CUISSON

Le degré de cuisson d'une viande dépend de l'épaisseur des morceaux. Il est impossible d'obtenir un degré de cuisson saignant avec un morceau de viande mince. Un bifteck doit avoir une épaisseur d'au moins 2,5 cm (1 po) pour qu'il soit saignant et juteux. Le temps de cuisson est affecté par la température de la viande au début de la cuisson, les dimensions et la forme du morceau et la sorte de viande cuite. Le degré de cuisson désiré affecte également le temps de cuisson.

Utilisez toujours une spatule pour retourner la viande car elle ne perce pas la viande et ne laisse pas le jus s'échapper. Ceci permet de conserver le jus de la viande. Retournez la viande une fois seulement car le jus se perd si la viande est retournée plusieurs fois. Ajoutez des épices ou du sel à la viande après la cuisson car ils ont tendance à sécher la viande. Veillez à enlever l'excès de gras de la viande et de la volaille. Pour empêcher les biftecks ou les côtelettes de se replier durant la cuisson, faites des entailles dans le gras, le long des bords, par intervalles de 5 cm (2po). Pour vérifier le degré de cuisson, faites un petit trou au centre de la viande.

# UTILISATION DE LA PLAQUE CHAUFFANTE

La plaque chauffante intégrée de votre table de cuisson est faite en acier inoxydable de type 304 hautement poli pour offrir une surface de cuisson lisse. Il est normal qu'elle noircisse à l'usage car les huiles cuisent en surface et forment une base antiadhésive ("conditionnement"). Comme la plaque chauffante est en acier inoxydable, sa surface ne rouille pas. Le brûleur de la plaque chauffante comporte un réglage thermostatique et s'allume et s'éteint de façon à maintenir la température choisie. Le voyant "Heating" indique que le brûleur est allumé. Ne retirez pas la plaque chauffante pour le nettoyage ; elle est retenue par deux vis à l'avant et une à l'arrière qui servent surtout à empêcher la plaque de bouger durant le transport et l'installation et éviter que des éléments d'allumage ne se brisent. Une fois l'appareil installé, vous pouvez retirer la vis arrière. Elle est située sous le couvercle du carneau de la plaque chauffante; soulevez-le pour le retirer (en faisant attention de ne pas égratigner le dossier). Retirez la vis de transport centrale. Les deux vis extérieures sont des vis d'inclinaison. Vous pouvez les visser pour mettre de niveau la plaque chauffante ou l'incliner vers l'avant pour faciliter l'évacuation des graisses et des huiles des aliments en train de cuire. Après quelques ajustements, vous pourrez juger de la meilleure inclinaison à donner en fonction des aliments cuits.

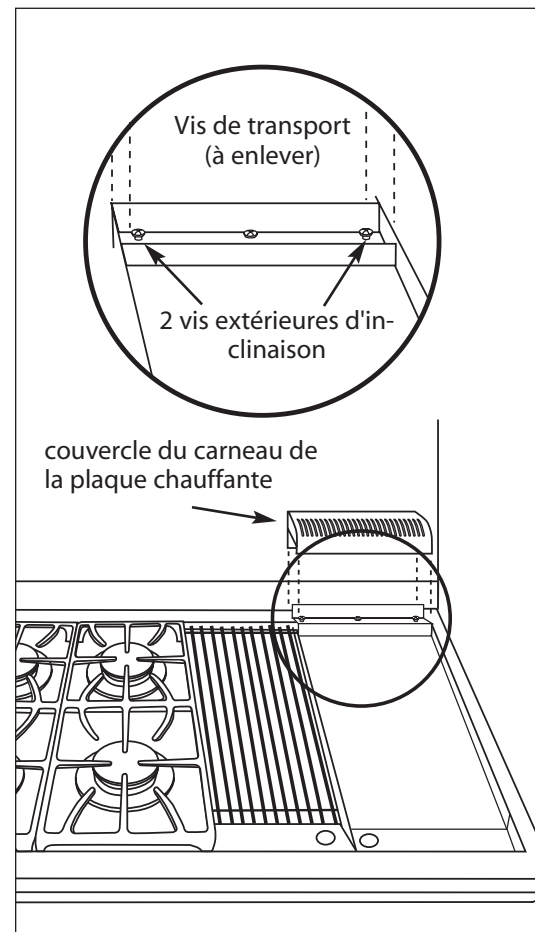


Fig. 10

## AVANT D'UTILISER LA PLAQUE CHAUFFANTE POUR LA PREMIÈRE FOIS OU POUR LA CONDITIONNER DE NOUVEAU

- 1) Nettoyez la plaque chauffante avec de l'eau savonneuse chaude afin d'éliminer toute couche de protection.
- 2) Rincez avec un mélange de 1 litre d'eau et 1 tasse de vinaigre blanc. Séchez soigneusement.
- 3) Versez 1 c. à t. d'huile végétale au centre de la plaque chauffante (évitiez l'huile de maïs car elle devient collante). Frottez l'huile sur toute la surface de la plaque chauffante à l'aide d'un gros chiffon.
- 4) Mettez le bouton de réglage à niveau moyen (175 °C/350 °F). Coupez le feu lorsque l'huile commence à dégager de la fumée. Laissez la plaque chauffante refroidir.
- 5) Répétez l'étape 3. Veillez à bien couvrir d'huile toute la surface.
- 6) Répétez l'étape 4. Laissez la plaque chauffante refroidir. Essayez toute la surface de la plaque chauffante avec un gros chiffon. Appliquez une très mince couche d'huile végétale. Vous pouvez présent utiliser la plaque chauffante. Si vous n'utilisez pas la plaque chauffante pendant une période prolongée, conditionnez-la de nouveau.

**REMARQUE :** *il est normal que la plaque chauffante noircisse à l'usage.*

# UTILISATION DE LA PLAQUE CHAUFFANTE

## UTILISATION DE LA PLAQUE CHAUFFANTE

Avant d'entamer la cuisson sur la plaque chauffante, assurez-vous que la lèchefrite et sa cuve sont en place. Préchauffez la plaque chauffante pendant 15 minutes en mettant le bouton de réglage à la température suggérée sur le tableau de cuisson. Le voyant HEATING s'éteint une fois le gril préchauffé. Placez les aliments sur la plaque chauffante et faites-les cuire jusqu'à obtenir le degré de cuisson désiré.

**REMARQUE :** *si la plaque chauffante a été conditionnée correctement, elle peut être utilisée sans aucun shortening supplémentaire. Vous pouvez toutefois en utiliser pour ajouter de la saveur. L'application d'une mince couche d'huile végétale sur la plaque chauffante froide avant la cuisson permet de tourner les aliments délicats plus facilement.*

## TABLEAU DE CUISSON DE LA PLAQUE CHAUFFANTE

ALIMENTS	TEMPÉRATURE
Œufs	de 105 à 120 °C (de 225 à 250 °F)
Bacon, jambon, côtelettes de porc	de 150 à 165 °C (de 300 à 325 °F)
Saucisse, sandwiches au fromage fondu	de 165 à 175 °C (de 325 à 350 °F)
Crêpes, pain doré	de 175 à 190 °C (de 350 à 375 °F)
Pommes de terre rissolées	de 205 à 220 °C (de 400 à 425 °F)

# UTILISATION DU FOUR

## ÉLÉMENTS DE CUISSON DU FOUR

Votre nouvelle cuisinière RDS professionnelle est équipée d'éléments de cuisson et de grilloir. Le four modèle 27 po cuit à 6000 W alors que les fours à gril modèles 27 et 24 po grillent à 4000 W. Sur les modèles RDS 305, le four de 24 po cuit à 3700 W. Le four d'apprêt de 12 po (modèles RDS 48 seulement) cuit à 3700 W et grille à 3600 W.

## FOUR

Votre nouveau four offre trois modes de cuisson; cuisson par convection, cuisson normale et grillage par convection. Lisez d'abord ces informations afin de déterminer le type de cuisson approprié. Rappelez-vous que ce four est neuf et que la précision de son thermostat a été vérifiée. Il se peut que le thermostat de votre ancien four soit devenu plus chaud ou plus froid avec le temps. Utilisez la durée de cuisson et la température indiquées sur vos recettes. Faites attention si vous utilisez la durée de cuisson et la température de votre ancien four. Il se peut que vous compensiez pour son mauvais réglage. Les modèles RDS-484GG, RDS-486GL et RDS-486GD comportent deux fours. Le four de 27 po sur le côté droit sert à la cuisson normale, la cuisson par convection assistée par ventilateur et la grillade. Il est également autonettoyant. Le four de 12 po sur le côté gauche sert à la cuisson normale, la grillade et l'apprêt des aliments cuits. Il est également idéal pour la cuisson de petites quantités de nourriture si vous ne désirez pas chauffer le grand four.

# UTILISATION DU FOUR

---

## CUISSON PAR CONVECTION

La cuisson par convection consiste en un mode de cuisson où le ventilateur à l'arrière du four fait circuler l'air chaud en continu autour des aliments. Cet air chaud réchauffe et cuit la surface des aliments de manière plus efficace qu'un four standard. Cela permet de cuire la plupart des aliments à des températures inférieures ou en moins de temps que ne le ferait une cuisson à température normale. L'air est maintenu en mouvement et réchauffé. Vous remarquerez une économie de temps particulièrement avec des aliments non couverts nécessitant une plus longue cuisson (gros morceaux de viande par ex.), des aliments pouvant être cuits dans des ustensiles de cuisson peu profonds ou des aliments soufflés. Vous pouvez également sauver du temps en utilisant plusieurs grilles en même temps, car cela permet de cuire plus d'aliments à la fois.

### Aliments appropriés pour la cuisson par convection

- Hors-d'œuvre
- Pains
- Repas au four (1 à 3 grilles)
- Biscuits
- Plats principaux
- Rôtis
- Tartes
- Volaille
- Aliments soufflés (gâteau des anges, soufflés, choux à la crème, coquilles de meringue)

## CUISSON NORMALE

La cuisson se fait à l'air chaud sans ventilateur. Le mouvement d'air provient d'une convection naturelle : à mesure que l'air se réchauffe, il s'élève vers le plafond du four. C'est le même mode que celui que vous utilisiez pour une cuisson sur une ou deux grilles.

### Aliments appropriés pour la cuisson au four

- Hors-d'œuvre
- Tartes, gâteaux
- Pains
- Desserts
- Plats principaux
- Repas au four (1 à 2 grilles)
- Volaille
- Rôtis

## GRILLAGE

Le grillage est un type de cuisson qui emploie le chauffage par rayonnement infrarouge intense procuré par le brûleur du grilloir situé en haut du four. Comme l'on emploie le chauffage par rayonnement, il n'est pas nécessaire d'utiliser le ventilateur à convection en mode de grillage.

### Aliments appropriés pour le grillage

- Brunir : ragoûts, pains
- Hors-d'œuvre
- Viandes
- Volaille
- Poisson

## CONVERSION DES RECETTES POUR LA CUISSON PAR CONVECTION

Les meilleurs résultats sont obtenus avec des ustensiles de cuisson peu profonds, car l'air chaud peut atteindre les aliments de tous les côtés plus facilement. Laissez la température du four identique à celle de la recette mais faites cuire les aliments pendant une durée moindre. La cuisson prendra probablement autant de temps que l'indique la recette même si vous baissez la température de 25 °F. Si vous trouvez que les aliments ont suffisamment brunis à l'extérieur mais qu'ils ne sont pas cuits au centre, abaissez de nouveau la température de 25 °F et augmentez la durée de cuisson. Si vous réduisez la température, vérifiez toujours le degré de cuisson, une minute ou deux avant l'écoulement de la durée minimum indiquée sur la recette, car vous pouvez toujours augmenter la durée de cuisson. Certaines recettes prennent moins de temps que d'autres.

# UTILISATION DU FOUR

Il n'est pas possible de prédire exactement la durée de cuisson de chaque recette lorsqu'on les convertit pour la cuisson par convection. Il vous sera plus facile d'utiliser la convection après quelques essais à mesure que vous comprendrez mieux son fonctionnement.

## SÉLECTION DES USTENSILES POUR LA CUISSON PAR CONVECTION

La cuisson par convection n'exige pas d'ustensiles de cuisson particuliers. Vous disposez probablement de plusieurs ustensiles appropriés dans votre cuisine. Pour en choisir un, tenez compte de son matériau, de ses dimensions et de sa forme, car tout cela affecte la durée de cuisson, la saveur et l'aspect du produit fini. Les plats de cuisson en métal (aluminium, acier et fonte) réduisent la durée de cuisson et donnent un meilleur résultat final. Les plats en aluminium sont les mieux appropriés pour tout type d'aliment cuit au four. Pour obtenir le meilleur brunissage dans la cuisson de tartes et de pains, utilisez un plat au fini foncé ou terne capable d'absorber la chaleur. Un fini brillant est mieux approprié pour les gâteaux et les biscuits, car il reflète une partie de la chaleur et donne une surface plus tendre. Les plaques à biscuits à une seule lèvre donnent les meilleurs résultats, car elles permettent à l'air chaud de circuler tout autour des aliments. Pour rôtir, utilisez le fond du lèchefrite et élevez la viande sur une grille à rôtir métallique. Les ustensiles en vitrocéramique ou en verre ne conduisent pas la chaleur aussi bien que le métal, mais vous pouvez les employer. Utilisez-les pour des aliments tels que les soufflés qui n'exigent pas une croûte brun foncé ni d'être croustillants.

La cuisson au four est plus rapide et uniforme si les portions sont plus petites : deux ou trois petits morceaux donnent un meilleur résultat qu'une seule grosse portion. S'il s'agit d'un aliment en un seul morceau, placez-le toujours au centre de la grille. S'il y a plusieurs morceaux, espacez-les uniformément sur la ou les grilles.

## CONDENSATION

Une certaine quantité d'humidité s'évapore de la nourriture durant toute cuisson. L'humidité contenue dans les aliments détermine la quantité d'humidité qui se condense dans le four. L'humidité se condense sur toute surface qui est plus froide que l'intérieur du four, tel que le panneau de contrôle ou le dessus de la porte.

## POUR OBTENIR LES MEILLEURS RÉSULTATS

### Cuisson :

- Utilisez les quantités et les ingrédients de la recette, y compris les dimensions et la forme d'ustensile de cuisson recommandées dans la recette.
- Évitez d'ouvrir la porte du four " pour jeter un coup d'oeil "; allumez plutôt la lampe intérieure du four et regardez par la fenêtre.
- Évitez d'utiliser le four comme lieu de stockage, particulièrement si vous cuisez au four. Tout ustensile supplémentaire qui ne sert pas à la cuisson peut affecter les aliments, la durée de cuisson, le brunissage et le résultat final.
- Si vous utilisez des ustensiles en verre, diminuez la température de 25 °F.
- Utilisez un minuteur et réglez-le à la durée minimum suggérée sur la recette

### Convection Baking:

- Suivez les trois premières recommandations ci-dessus.
- Les ustensiles en métal donnent de meilleurs résultats que ceux en verre pour la cuisson par convection. Si vous utilisez du verre, vous n'avez généralement pas besoin de diminuer la température de 25 °F de nouveau.

# UTILISATION DU FOUR

---

- Utilisez un minuteur et réglez-le à une durée inférieure à la durée minimum suggérée sur la recette la première fois que vous utilisez une recette en mode de convection. Prenez soin de noter la nouvelle durée de cuisson sur la recette pour consultation future.
- Prenez soin de lire les informations de base au sujet de la convection, à la page 15, avant d'utiliser le four pour la première fois.
- N'oubliez pas que les résultats en matière de cuisson par convection varient selon le type de produit. La cuisson normale donne, dans de nombreux cas, de meilleurs résultats que la cuisson par convection.

## PRÉCHAUFFAGE

Le préchauffage dure 10 à 15 minutes selon la température choisie. C'est généralement requis pour les aliments cuits à haute température pendant une courte durée, par ex. des biscuits à la cuiller. Le voyant de chauffage s'éteint lorsque le four atteint sa température.

## RÉGLAGE DU FOUR DE 12 PO POUR LA CUISSON (modèles 48 po seulement)

Pour utiliser le four d'apprêt de 12 po pour la cuisson, (petit four du côté gauche), enfoncez le sélecteur de cuisson (BAKE) situé sur le panneau de contrôle, au-dessus du bouton du four sur le petit four, puis tournez le bouton de réglage du four à la température recommandée sur la recette.

- 1) Le bouton du thermostat étant éteint (OFF), appuyez sur le bouton de sélection BAKE.
- 2) Réglez le thermostat à la température voulue.
  - Le voyant « OVEN ON » s'allume.
  - Le voyant « HEATING » s'allume.
  - Dès que le voyant « HEATING » s'éteint pour la première fois, le four est préchauffé.
  - Le voyant « OVEN ON » reste allumé jusqu'à ce que le bouton de sélection « OFF » est enfoncé ou que le thermostat est mis sur « OFF ».

## RÉGLAGE DU FOUR DE 27 ET 24 PO POUR LA CUISSON

Décidez du mode d'utilisation : BAKE ou CONVECTION BAKE (cuisson ou cuisson par convection). Ces modes de cuisson permettent de cuire, rôtir ou réchauffer avec une, deux ou trois grilles. Pour utiliser la cuisson normale, enfoncez le sélecteur de cuisson BAKE, situé sur le panneau de contrôle, au-dessus du bouton du grand four, puis tournez le bouton de réglage du four à la température recommandée sur la recette. Pour utiliser la cuisson par convection, enfoncez le sélecteur de convection (CONV BAKE, situé sur le panneau de contrôle), puis tournez le bouton de réglage du four à la température voulue.

- 1) Appuyez sur le bouton de sélection BAKE ou CONVECTION BAKE (cuisson ou cuisson par convection)
  - Le ventilateur à convection s'allume si « CONVECTION BAKE » est sélectionné.
- 2) Réglez le thermostat à la température voulue.
  - Le voyant « OVEN ON » s'allume.
  - Le voyant « HEATING » s'allume.
  - Dès que le voyant « HEATING » s'éteint pour la première fois, le four est préchauffé.
  - Le voyant « OVEN ON » reste allumé jusqu'à ce que le bouton de sélection « OFF » est enfoncé ou que le thermostat est mis sur « OFF ».



# UTILISATION DU FOUR

## FOURS 27 ET 24 PO

Le four à convection autonettoyant de 27 po est situé sur le côté droit de la cuisinière RDS de 48 po ou est le seul four d'une cuisinière de 36 po. Le four comprend trois grilles et des supports de grille à roulettes à trois positions. Une lèchefrite en acier vitrifié est incluse avec le four.

**REMARQUE : à propos des supports de grille à roulettes (four de 27 et 24 po seulement) :**

Spécialement fabriqués à base de matériaux résistants à des hautes températures conçus pour le four, ils sont capables d'assurer des années de service. Ils sont particulièrement utiles lorsque les grilles du four supportent des aliments lourds que l'on utilise généralement avec ce type de four à haute capacité. Ils doivent être retirés avant l'autonettoyage du four. Voir la page 30 au sujet de l'entretien des supports de grille. Les trois fours à carburant mixte sont livrés avec une lèchefrite en deux morceaux.

## FOUR DE 12 PO (CUISINIÈRES DE 48 PO SEULEMENT

Le four de 12 po comprend deux grilles de four et des supports de grille à trois positions. Les supports de grille peuvent être enlevés pour le nettoyage. Il comporte également une lèchefrite en aluminium et une cuve inférieure en acier vitrifié qui facilite le nettoyage.

## GRILLES DU FOUR

### **MISE EN GARDE :**

*n'utilisez jamais de papier aluminium pour recouvrir les grilles ou le fond du four. La chaleur emprisonnée peut endommager la porcelaine et l'air chaud ne peut atteindre adéquatement la nourriture qui cuit.*

## Cuisson

Vous pouvez utiliser une ou deux grilles simultanément durant la cuisson. Placez les grilles dans la bonne position avant d'allumer le four. Rangez les grilles inutilisées hors du four. La position de grille numéro 2 (deuxième à partir du bas) sera probablement plus souvent utilisée pour une cuisson à une grille. Si vous utilisez deux grilles en même temps, vérifiez les aliments de la grille inférieure avant que la durée minimum ne s'écoule. Les aliments placés sur la grille inférieure peuvent cuire un peu plus rapidement que ceux de la grille supérieure, en particulier si vous utilisez de gros ustensiles de cuisson.

Si vous utilisez deux grilles simultanément, prenez soin de décaler les ustensiles de cuisson pour qu'ils ne soient pas directement l'un au-dessus de l'autre et pour que l'air chaud puisse circuler librement autour de chaque plat. Laissez au moins 2,5 cm (1 po) d'espace entre les parois du four et les plats. Si vous utilisez des ustensiles de cuisson de grand taille ou de format commercial, les aliments prendront peut-être plus de temps à cuire, car l'air ne peut circuler aussi librement qu'avec un petit plat. Si vous employez des ustensiles de cuisson de format commercial, utilisez une grille seulement car la chaleur n'a pas assez d'espace pour circuler.

## Cuisson par convection

Il est permis d'utiliser toutes les grilles simultanément durant la cuisson par convection. Placez les grilles dans la bonne position avant d'allumer le four. Rangez les grilles inutilisées hors du four. La position de grille numéro 2 (deuxième à partir du bas) sera probablement plus souvent utilisée pour une cuisson à une grille. Nul besoin de décaler les plats si vous cuisinez avec plusieurs grilles. Laissez toutefois au moins 2,5 cm (1 po) d'espace entre les parois du four et les plats afin que l'air chaud puisse circuler.

# UTILISATION DU FOUR

---

## RÔTIR À HAUTE ALTITUDE

Les temps de cuisson et ceux indiqués sur les recettes varient si vous cuisinez à haute altitude. Pour obtenir des informations précises à ce sujet, écrivez à l'adresse suivante : Agriculture Extension Service, Colorado State University, Fort Collins, Colorado 80521. Indiquez le type d'informations recherchées et le mode de cuisson (par convection ou normale) voulu, par ex. gâteaux, biscuits, pains, etc. Vous pourriez encourir des frais pour l'obtention de ces informations.

## RÉGLAGE DU FOUR POUR LE GRILLAGE

Lorsque vous appuyez sur le bouton de sélection « Broil », vous entendez le ventilateur de refroidissement démarrer et vous sentez un courant d'air au-dessus de la porte du four. Le courant d'air permet de refroidir le panneau de contrôle au-dessus du four durant le grillage avec la porte du four ouverte. Le ventilateur de refroidissement doit être en marche pour que le grilloir puisse fonctionner. **NE GRILLEZ JAMAIS AVEC LA PORTE OUVERTE EN PRÉSENCE DES ENFANTS.**

## Préchauffage

Il n'est pas nécessaire de préchauffer le grilloir dans la plupart des cas. Toutefois, un court préchauffage de 2 à 3 minutes peut être nécessaire pour des aliments qui cuisent vite, tel que des tranches de viande ou poisson minces (préchauffez le grilloir pendant 10 minutes sur les modèles RDS 305, de préférence avec la porte fermée pour obtenir les meilleurs résultats), afin de permettre à la surface des aliments de brunir durant le laps de temps requis pour une cuisson complète des aliments.

## Pour obtenir les meilleurs résultats

- Décongelez les aliments avant la cuisson.
- Laissez la porte entrouverte à la fin du grillage.

**REMARQUE : si la porte est fermée durant le grillage, la cavité du four peut devenir suffisamment chaude pour allumer et éteindre successivement l'élément de grillage, donnant lieu à des aliments qui semblent être cuits ou rôtis plutôt que grillés.**

- Utilisez un minuteur et réglez-le à la durée minimum suggérée pour vérifier la nourriture. Les biftecks doivent avoir au moins un pouce d'épaisseur si vous les voulez saignants. Il est difficile d'atteindre un tel degré de cuisson avec une viande plus mince ou d'obtenir des morceaux de viande bien brunis.
- Après que la moitié de la durée totale de cuisson se soit écoulée, retournez les aliments une fois seulement. Il n'est pas nécessaire de retourner les aliments minces (filet de poisson, tranches de jambon, etc.). Les tranches de foie doivent être retournées.
- Si vous voulez brunir les aliments, utilisez des plats de cuisson en métal ou en vitrocéramique. ÉVITEZ d'utiliser du verre ou de la poterie calorifugée : ce type d'ustensiles ne peut supporter la chaleur intense du brûleur du grilloir.

**REMARQUE : vous ne pouvez pas utiliser le brûleur du grilloir et le brûleur de cuisson en même temps. Si l'un fonctionne, l'autre ne peut être allumé.**

## Utilisation d'un thermomètre à viande pour griller avec et sans convection

Pour déterminer précisément le degré de cuisson d'un bifteck ou d'une côtelette épaisse (1-1/2 po d'épaisseur ou plus), utilisez un thermomètre à viande. Introduisez la pointe du thermomètre par le côté de la viande jusqu'au centre. Cuisez le premier côté à 90 °F pour obtenir une viande saignante. Cuisez le premier côté à 100 °F pour obtenir une viande à point ou bien cuite. Cuisez le second côté selon le degré de cuisson voulu; saignant : de 135 °F à 140 °F; à point : de 150 °F à 155 °F; bien cuit : de

# UTILISATION DU FOUR

160 °F à 165 °F. La cuisson du porc se fait à 170 °F. Votre nouvelle cuisinière est livrée avec une grande lèchefrite en deux morceaux. Utilisez toujours les deux morceaux lorsque vous grillez. Évitez de recouvrir la grille de papier d'aluminium. Cette grille perforée permet aux gouttes de graisse de s'écouler vers le fond du lèchefrite, loin de la chaleur intense du brûleur infrarouge du grilloir. Cela contribue à minimiser les vapeurs et éclaboussures provenant des matières grasses.

**REMARQUE : il se peut que le ventilateur de refroidissement s'allume si le four fonctionne à haute température pendant une période prolongée. C'est normal. Le ventilateur de refroidissement se met en marche également durant le grillage et l'autonettoyage. Si le ventilateur ne fonctionne pas dans ces modes, n'utilisez pas le four. Faites venir un technicien qualifié pour réparer l'appareil.**

## Position des grilles du four

La position des grilles dépend du type et de l'épaisseur des aliments. Les morceaux de viande ou de volaille épais sont généralement grillés à la position de grille numéro 2, les biftecks, côtelettes et hamburgers à la position de grille numéro 3. S'il s'agit de brunir un ragoût ou du pain, l'épaisseur des aliments vous indiquera la position de grille à utiliser. Les ragoûts et pains sont généralement brunis à la position de grille numéro 2 ou 3.

## UTILISATION DU FOUR POUR UNE CUISSON LENTE OU À BASSE TEMPÉRATURE

Le four peut servir à garder les aliments chauds, les déshydrater, réchauffer les plats, faire une cuisson lente (dans une mijoteuse par ex.) et décongeler les aliments.

Vous pouvez garder des aliments cuits et chauds à la température de consommation. Réglez le four à la température suggérée sur le tableau. La viande saignante doit être consommée dès son retrait du four, car elle continue à cuire sous l'effet de sa propre chaleur.

- Pour garder les aliments humides, couvrez-les de papier d'aluminium ou d'un couvercle.
- Pour déshydrater les aliments, suivez les suggestions de la recette.
- Pour réchauffer les plats, consultez leur fabricant au sujet de la température recommandée.
- Pour utiliser le four pour une cuisson lente, réglez le bouton de réglage du four à 225 °F ; placez la nourriture dans le four dans un plat à couvercle étanche. Suivez les recettes pour ce type de cuisson.
- Pour décongeler des aliments non cuits congelés, réglez le bouton de réglage du four à « warm » (réchauffer). Assurez-vous que les aliments sont bien enroulés dans du papier aluminium. Décongelez les aliments juste assez pour pouvoir les manipuler. Faites-les cuire immédiatement. Évitez de les congeler de nouveau.
- Pour décongeler des aliments cuits congelés, mettez le bouton de réglage du four sur 170 °F. Desserrez l'emballage du congélateur.
- ÉVITEZ d'utiliser des enveloppes de plastique ou du papier ciré dans le four.

---

### **SALUBRITÉ ALIMENTAIRE :**

*le Département de l'agriculture américain stipule que l'on ne doit pas maintenir des aliments entre 40 °F et 140 °F pendant plus de 2 heures.*

# UTILISATION DU FOUR

## TEMPÉRATURES SUGGÉRÉES POUR GARDER LES ALIMENTS CHAUDS

Aliments	Température du four
Bœuf	
Saignant	150 - 155 °F
À point	155 - 170 °F
Bien cuit	170 - 180 °F
Bacon	200 - 225 °F
Biscuits et muffins (recouverts)	170 - 185 °F
Ragoût (recouvert)	170 - 200 °F
Poisson et fruits de mer	170 - 200 °F
Plats avec frites	200 - 225 °F
Sauce d'arrosage ou sauces à la crème (recouvertes)	170 - 180 °F

Aliments	Température du four
Rôtis d'agneau et de veau	170 - 200 °F
Crêpes et gaufres (recouvertes)	200 - 225 °F
Pommes de terre	
au four	200 °F
en purée (recouvertes)	170 - 185 °F
Tartes et pâtisseries	170 °F
Pizza (recouverte)	225 °F
Porc	170 - 200 °F
Volaille (recouverte)	170 - 200 °F
Légumes (recouverts)	170 - 175 °F

## TEMPÉRATURES DE CUISSON INTERNES

<b>Œufs et plats aux œufs</b>	Cuire jusqu'à ce que le jaune et le blanc d'œuf soient fermes.
Œufs	
Mets aux œufs	160 °F
Sauces aux œufs, crèmes	160 °F
<b>Viande hachée et mélanges de viandes</b>	
Dinde, poulet	165 °F
Bœuf, veau, agneau, porc	160 °F
<b>Bœuf, veau, agneau frais</b>	
Mi-saignant	145 °F
À point	160 °F
Bien cuit	170 °F
<b>Porc frais</b>	
À point	160 °F
Bien cuit	170 °F
<b>Rôti de bœuf</b>	
Cuisson commerciale, scellé sous vide et prêt à consommer	140 °F

<b>Volaille</b>	
Poulet, dinde entière	180 °F
Poulet, dinde-viande brune	180 °F
Volaille-blanc	170 °F
Canard et oie	180 °F
<b>Farce</b>	
Cuite seule ou dans la volaille	165 °F
<b>Sauces, soupes, sauces d'arrosage, marinades</b>	
Utilisées avec viande, volaille ou poisson cru	Porter à ébullition
<b>Fruits de mer</b>	
Poisson à nageoires	Cuire jusqu'à ce qu'il devienne opaque et s'écaille facilement à l'aide d'une fourchette
Crevettes, homard, crabe	Doit devenir rouge et la chair doit devenir blanche opaque
Coquilles Saint-Jacques	Doivent devenir blanches laiteuses ou opaques et fermes
Myes, moules, huîtres	Cuire jusqu'à ce que les coquilles s'ouvrent.
<b>Restes</b>	165 °F

# MODE D'APPRÊT ET D'AUTONETTOYAGE

## MODE D'APPRÊT - FOUR DE 12 PO

Cette fonction du four d'apprêt de 12 po maintient un environnement chaud sans courant d'air, utile pour l'apprêt des aliments levés à la levure.

## RÉGLAGE DU FOUR DE 12 PO POUR L'APPRÊT DES ALIMENTS

1) Placez la pâte dans un plat dans le petit four.

2) Appuyez sur le bouton de sélection « PROOF ».

- Le voyant « OVEN ON » et les lumières intérieures du four s'allument.
- Le voyant « HEATING » ne s'allume pas en mode d'apprêt. Le bouton de réglage du thermostat n'affecte pas la température d'apprêt.
- La température d'apprêt idéale est maintenant jusqu'à ce que l'on appuie sur le bouton « OFF ».

3) Utilisez un minuteur et réglez-le à une durée inférieure à la durée d'apprêt minimum.

**REMARQUES : A) Évitez d'ouvrir la porte du four pour rien car cela fait baisser la température du four et rallonge la durée d'apprêt.**

**B) Il se peut que la durée d'apprêt soit diminuée si vous utilisez le grand four en même temps que vous faites l'apprêt. Vérifiez tôt le pain produit pour éviter un apprêt excessif. Si vous utilisez le grand four pendant de longues périodes, nous vous recommandons, pour obtenir des résultats optimum, de terminer l'apprêt avant d'allumer le grand four.**

- ÉVITEZ d'utiliser le four d'apprêt pour réchauffer les aliments ou les garder chauds. La température du four d'apprêt n'est pas assez élevée pour conserver les aliments à la bonne température (au-dessus de 140 °F).

## MODE D'AUTONETTOYAGE DU FOUR

Votre nouvelle cuisinière est dotée d'un four autonettoyant pyrolytique. En mode de nettoyage CLEAN, le four, porté à une température élevée, réduit en cendres toutes les salissures. Lorsque le four est en mode CLEAN, seuls les brûleurs de la table de cuisson peuvent être utilisés. Le four d'apprêt électrique de 12 po, la plaque chauffante et le gril ne peuvent être utilisés. On observe fréquemment de la fumée ou des flammes durant le cycle de nettoyage en fonction du contenu du four et de la quantité de salissures encore présentes. Si des flammes persistent, éteignez le four et laissez-le refroidir avant d'ouvrir la porte pour essuyer les déchets restants. Il se peut que des cendres grises ou des résidus brûlés demeurent à l'intérieur du four à la fin du cycle de NETTOYAGE. Il s'agit de dépôts minéraux qui ne brûlent et ne fondent pas. La quantité de cendres dépend du degré de saleté du four avant le nettoyage. Elle peut être facilement éliminée, une fois le four refroidi, à l'aide d'une serviette en papier, éponge ou linge humide. Essuyez tout résidu de fumée sur le cadre avant à l'aide de Formula

# MODES D'AUTONETTOYAGE DU FOUR

## VERROUILLAGE DE LA PORTE DU FOUR DURANT L'AUTONETTOYAGE

Au démarrage du cycle de nettoyage, le voyant de verrouillage s'allume puis le cycle de verrouillage automatique de la porte s'active. Évitez d'ouvrir la porte lorsque le voyant de verrouillage est allumé. Pour arrêter le cycle, appuyez sur le bouton Off. Le voyant de verrouillage s'éteint seulement après que le four refroidit à moins de 550 °F et que le verrouillage automatique de la porte conclut son cycle et revient à sa position d'ouverture.

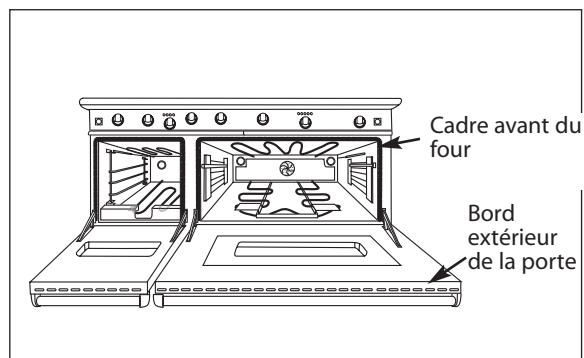


Fig. 11

## AVANT D'EFFECTUER L'AUTONETTOYAGE DU FOUR :

- Retirez tous les ustensiles et grilles
- Nettoyez le cadre avant du four et les bords extérieurs de la porte. Essuyez les gros débordements et dépôts graisseux. (Voir fig. 11.)
- Assurez-vous que les ampoules et les vitres couvrantes sont en place.
- Allumez la hotte de ventilation au-dessus de la cuisinière et laissez-la en marche jusqu'à ce que le four termine son cycle d'aut nettoyage.
- Retirez les grilles et les coulisses à grilles.

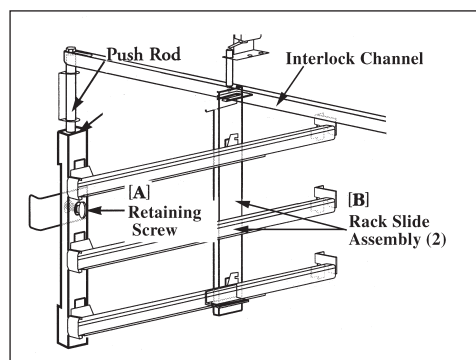


Fig. 12

**REMARQUE :** un système de verrouillage a été conçu afin que le cycle d'autonettoyage ne s'active pas avant que les ensembles de coulisses à grilles ne soient retirés. Les supports de grille à roulettes sont conçus pour supporter la plage de température du thermostat de cuisson. Ils ne peuvent supporter les températures extrêmes de l'autonettoyage pyrolytique. Pour retirer les ensembles de coulisses :

A) Retirez, de chaque côté, la vis de retenue.

B) Soulevez légèrement puis tirez l'ensemble entièrement. Mettez-le de côté. Remplacez les ensembles et leurs vis de retenue une fois le cycle d'autonettoyage terminé.

## ENSEMBLE DE COULISSE DE GRILLE DU FOUR DE 27 PO

Essuyez les plaques de graisse et les salissures faciles à enlever. Éliminez les salissures à l'extérieur du joint de la porte. Cet appareil est conçu pour nettoyer l'intérieur du four et la partie de la porte qui se trouve à l'intérieur du four. Les bords extérieurs de la porte et la cavité du four ne font pas partie de la zone de nettoyage. Essuyez cette zone avant de régler le four sur autonettoyage.

- Allumez la hotte de ventilation au-dessus de la cuisinière et laissez-la en marche jusqu'à ce que le four termine son cycle d'autonettoyage.

# MODES D'AUTONETTOYAGE DU FOUR

## RÉGLAGE DU FOUR POUR L'AUTONETTOYAGE

1) Enfoncez le bouton de sélection « CLEAN ».

2) Réglez le bouton de réglage du four sur « CLEAN ».

- Le ventilateur de refroidissement s'allume;
- Les voyants OVEN ON et HEATING s'allument;
- Le voyant LOCK s'allume.
- Le processus de fermeture de la porte prend environ 60 secondes, après quoi la porte est verrouillée.

## À LA FIN DU CYCLE DE NETTOYAGE :

Le cycle de nettoyage dure 5 heures. Le voyant OVEN ON s'éteint une fois le cycle terminé.

1) Enfoncez le bouton de sélection OFF. Le verrou de la porte s'ouvre automatiquement après que la température du four tombe au-dessous de 550 °F et que le cycle de verrouillage automatique de la porte de 60 secondes s'achève à la position OPEN.

2) Mettez le bouton de réglage du four sur OFF. Essayez les résidus de cendre blanche avec un linge ou une éponge humide (après que le four ait refroidi) avant de replacer les grilles du four.

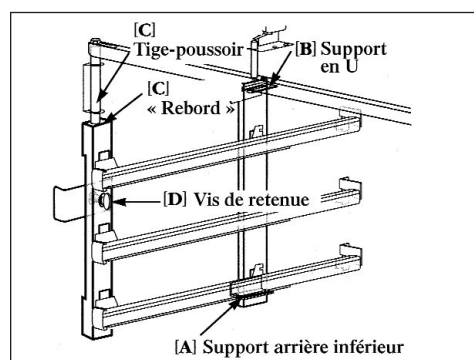


Fig. 13

3) Remplacez les ensembles de coulisses à grilles de la façon suivante :

- A) Guidez la partie arrière de l'ensemble de coulisse dans le support arrière inférieur sur le côté du four;
- B) Guidez la partie arrière supérieure de l'ensemble de coulisse dans le support en U sur le côté du four;
- C) Soulevez la tige-poussoir pour qu'elle repose sur le " rebord " du support latéral de l'ensemble, et
- D) Vissez bien l'ensemble au four à travers le trou situé sur la section avant centrale du support latéral. Faites de même pour l'autre côté du four.

4) Remplacez les grilles du four.

## **MISE EN GARDE :**

*l'intérieur du four est encore à la température de cuisson lorsque le voyant de verrouillage s'éteint et que la porte du four peut être ouverte. Soyez prudent car le four peut être suffisamment chaud pour provoquer des brûlures.*

# ENTRETIEN ET MAINTENANCE

---

## **DURANT LE NETTOYAGE DE LA CUISINIÈRE OU TABLE DE CUISSON :**

**Faites très attention lorsque vous nettoyez les parties de l'appareil lorsqu'il est chaud.**

L'appareil tout entier peut être nettoyé avec de l'eau savonneuse chaude, puis rincé, séché et bien poli à l'aide d'un chiffon à poils épais et doux. Essayez cela en premier, c'est la façon la plus douce de le nettoyer.

- 1) Employez la méthode de nettoyage la plus douce d'abord. Certains produits de nettoyage de même type sont plus forts que d'autres. Lisez leur mode d'emploi. La présence de parfum ou de gaz propulseur peut avoir un effet significatif; veuillez lire la liste des ingrédients. Faites un essai sur une petite surface au préalable.
- 2) Pour ne pas gâcher la surface, frottez toujours la finition du métal dans le sens du polissage; de plus, le nettoyage est plus efficace dans ce sens.
- 3) Pour nettoyer ou récurer, utilisez uniquement des éponges propres, des tissus doux, des essuie-tout, des tampons à récurer savonneux non-métalliques en plastique (utilisez uniquement des tampons contenant encore du savon; un tampon sec peut égratigner la surface), tel que recommandé dans cette section.
- 4) Rincez soigneusement et séchez en essuyant pour éviter de laisser des marques d'eau.

## **NOMS DE MARQUE**

La référence à des noms de marques dans cette section est donnée à titre indicatif et ne saurait constituer un acte de promotion. L'omission d'une marque de nettoyant particulière ne signifie pas qu'elle est adéquate ou non. De nombreux produits sont distribués dans certaines régions seulement et sont disponibles dans les marchés et grands magasins locaux.

## **TABLE DE CUISSON**

Éteignez tous les brûleurs et laissez les grilles refroidir avant de nettoyer la table de cuisson. Si vous essayez une partie de la table de cuisson alors qu'elle est chaude, faites-le avec précaution car vous pourriez vous brûler à la vapeur si vous utilisez une éponge ou un linge humide.

## **GRILLES DES BRÛLEURS**

Faites attention lorsque vous soulevez les grilles car elles sont lourdes. Placez-les sur une surface protégée pour qu'elles n'égratignent pas celle-ci. Les grilles des brûleurs sont faites d'émail de porcelaine mat sur fonte. Une fois les grilles refroidies, vous pouvez les placer dans le lave-vaisselle ou les nettoyer à l'aide d'une solution savonneuse chaude et les essuyer pendant qu'elles sont sur la table de cuisson. Les grilles des brûleurs ne rouillent pas car elles sont couvertes d'émail de porcelaine mat des deux côtés pour une durabilité accrue.

L'utilisation occasionnelle de nettoyant abrasif doux tel que Bon-AmiMD, Soft ScrubMD ou un tampon à récurer métallique savonneux est acceptable. L'utilisation vigoureuse ou trop fréquente de nettoyants abrasifs peut finir par endommager l'émail. Appliquez le produit avec une éponge humide, rincez abondamment puis séchez. À cause des changements de température rapides qui se produisent lorsque les brûleurs sont allumés, la porcelaine recouvrant les bords des grilles pourrait éclater en morceaux. Ne vous en faites pas car ceci n'entraîne pas une détérioration des grilles. Le métal en fonte devient foncé en peu de temps et se fond à l'émail de porcelaine. Essayez avec précaution les endroits où l'émail a éclaté, car les bords peuvent être tranchants.



# ENTRETIEN ET MAINTENANCE

## BRÛLEURS

Pour assurer un bon allumage et une bonne performance des brûleurs, gardez-les dans un état propre. Vous devez nettoyer les brûleurs s'ils ne s'allument pas même si l'allumeur clique, après chaque débordement important ou si la flamme ne devient pas bleue. Assurez-vous que tous les boutons des brûleurs sont en position OFF avant d'essayer de nettoyer les brûleurs. Les brûleurs ont été conçus pour être faciles à nettoyer. Une fois les grilles et brûleurs refroidis, retirez les grilles. Les capuchons de brûleur et les couronnes en laiton peuvent être facilement enlevés. Lavez ces pièces dans de l'eau savonneuse chaude, rincez et séchez soigneusement. Les capuchons de brûleur sont en émail de porcelaine; suivez les instructions données à la page précédente concernant les grilles des brûleurs.

Utilisez au besoin une brosse en soies

pour nettoyer les ports dentés des brûleurs. Le démontage de la couronne de mijotage n'est pas recommandé; cela peut toutefois s'avérer nécessaire si les ports restent bouchés après un nettoyage normal. Si vous devez retirer la couronne de mijotage de sa base, enlevez l'écrou hex de la partie supérieure de la couronne de mijotage. Nettoyez la couronne de mijotage avec de l'eau savonneuse chaude à l'aide d'une brosse en soies douce métallique ou en plastique, puis séchez soigneusement. Réassemblez les pièces à l'aide de l'écrou hex. Après le nettoyage, il est important de vous assurer que la broche de position au bas de la couronne de mijotage est correctement alignée avec le trou correspondant de la base et que la broche de position (voir encart) au bas de la couronne en laiton est correctement alignée avec l'encoche de position en haut de la couronne de mijotage. Un mauvais alignement produira une flamme potentiellement dangereuse et entraînera un mauvais fonctionnement du brûleur (voir fig. 14).

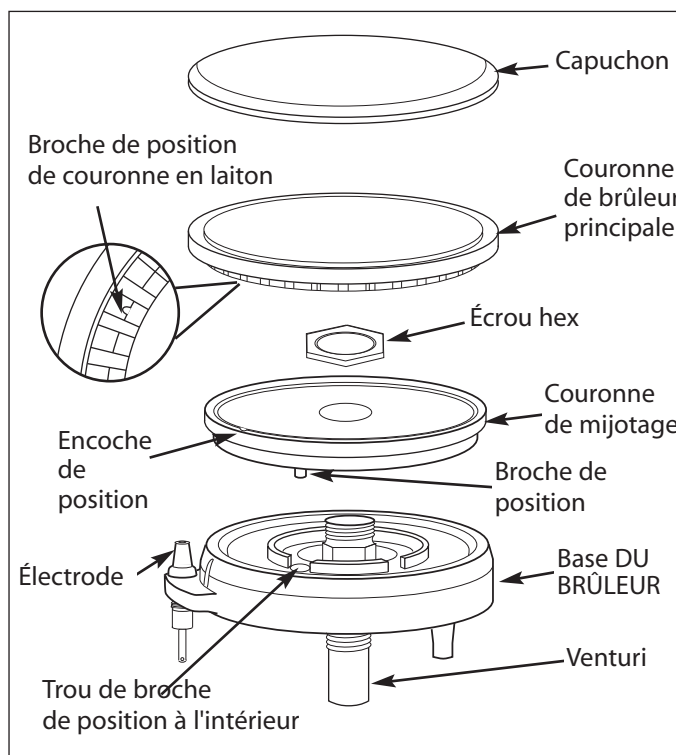


Fig. 14

## ALLUMEURS

Essuyez avec un coton-tige imbibé d'eau en faisant attention de ne pas endommager l'allumeur (voir fig. 15).

## LÈCHEFRITES ET TUBES D'ÉGOUTTEMENT

Les modèles à plaque chauffante et gril sont dotés d'une cuve de lèchefrite. Les lèchefrites sont en acier inoxydable et supportées par des roulettes, ce qui permet de les retirer et de les replacer facilement. Il suffit de tirer la lèchefrite pour l'enlever. Nettoyez immédiatement de la lèchefrite tout déversement pour éviter que les salissures ne " cuisent " sur place. La graisse provenant de la plaque chauffante ou du gril s'écoule du tube d'égouttement dans la lèchefrite et la cuve en dessous. ÉVITEZ de laisser la graisse s'accumuler dans la lèchefrite car elle peut poser un risque d'incendie. Nettoyez le tube et la lèchefrite dès qu'ils ont refroidi. Nettoyez-les avec de l'eau

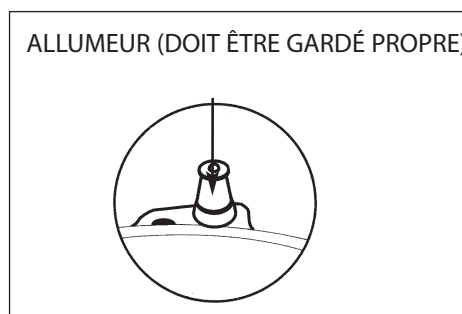


Fig. 15

# ENTRETIEN ET MAINTENANCE

savonneuse chaude. Utilisez un flacon à brosse à détergent pour nettoyer le tube. Utilisez un nettoyant abrasif doux tel que Bon-Ami ou Soft Scrub. Pour les taches difficiles, utilisez un tampon à récurer métallique savonneux ou un nettoyant abrasif, tel que CometMD ou AjaxMD, en frottant légèrement. Rincez soigneusement toutes les pièces.

## PLAQUE CHAUFFANTE

Pendant que la plaque est encore chaude, éliminez soigneusement la graisse et les salissures à l'aide d'une spatule à angles vifs. Une fois la plaque chauffante tiède, frottez sa surface légèrement avec de l'huile végétale (évitée l'huile de maïs car elle devient collante). Essuyez soigneusement la plaque chauffante à l'aide d'une toile ou d'un linge épais et rugueux pour nettoyer les restes de résidus et de particules. En cas d'accumulation de graisse, utilisez une c. à s. de vinaigre dans une demi-tasse d'eau; nettoyez avec un linge à récurer tel que Chore BoyMD. En cas de coloration sous l'effet de la chaleur, utilisez un nettoyant pour acier inoxydable tel que Revere WareMD. Lavez dans de l'eau savonneuse chaude, rincez puis séchez. Si des salissures ou résidus d'aliments sont cuits sur la plaque chauffante, utilisez une pierre ponce fine ou un produit de dégraissage (tous deux disponibles chez les fournisseurs en restauration) en respectant le mode d'emploi du fabricant. Lavez dans de l'eau savonneuse chaude, rincez puis séchez. Si vous nettoyez la plaque chauffante avec de l'eau savonneuse chaude, du vinaigre, de la poudre à récurer, de la laine d'acier ou des tampons à récurer métalliques, vous devez la conditionner de nouveau. Suivez les instructions de la page 13 concernant le conditionnement de la plaque chauffante.

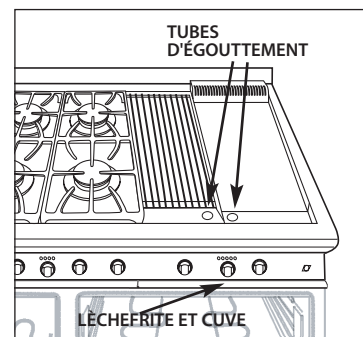


Fig. 16

**N'ASPERGEZ JAMAIS UNE PLAQUE CHAUFFANTE CHAUDE AVEC DE L'EAU FROIDE. Cela peut fissurer ou déformer la plaque chauffante..**

## GRIL

Nettoyez le gril immédiatement après la cuisson. Éteignez le brûleur. Portez un gant de barbecue pour vous protéger la main de la chaleur et de la vapeur. Frottez le gril en trempant fréquemment une brosse à poils fins en laiton dans un bol d'eau. La vapeur produite au contact de l'eau facilite le nettoyage en ramollissant les particules d'aliments. Les particules tombent dans la lèchefrite ou le plateau radiant contenant les radiants. Prenez soin de nettoyer le tube d'égouttement, la lèchefrite et la cuve une fois refroidis. Suivez le mode d'emploi ci-dessus. Retirez périodiquement le plateau radiant et les radiants (une fois refroidis) et secouez-les au-dessus d'une couche de papier journal à jeter.

## BOUTONS DE RÉGLAGE DE LA TABLE DE CUISSON ET DU FOUR

Ceux-ci sont en plastique et peuvent être nettoyés dans de l'eau chaude savonneuse. Pour retirer les boutons du panneau de contrôle, saisissez-les et tirez vers vous. Lavez-les sans les laisser tremper. Rincez et séchez soigneusement. Il est important de remettre les boutons sur la bonne valve à gaz du panneau de contrôle. Les boutons de réglage de la table de cuisson et du gril sont similaires; ceux de la table de cuisson comportent un réglage « Simmer » (mijotage) contrairement à ceux du gril. Les boutons de réglage du four et de la plaque chauffante sont également similaires; tous deux indiquent des températures; le bouton du four comporte un réglage « Broil » (griller) contrairement à celui de la plaque chauffante.

## DOSSERET

Il est en acier inoxydable. Employez la méthode de nettoyage la plus douce d'abord. Lavez dans de l'eau savonneuse chaude, rincez puis séchez. S'il y a encore des souillures alimentaires sur le panneau,

# ENTRETIEN ET MAINTENANCE

essayez un nettoyant de cuisine d'usage général tel que FantastikMD, Simple GreenMD ou Formula 409MD. Pour les salissures plus coriaces, utilisez un nettoyant pour acier inoxydable tel que Bon-AmiMD, CameoMD ou Bar Keepers Friend. Appliquez le produit avec une éponge humide, rincez abondamment puis séchez. Frottez toujours dans le sens du grain. N'utilisez pas de laine d'acier car elle peut égratigner la surface. Pour réparer des égratignures visibles à l'œil nu, frottez très légèrement avec du papier de verre fin, dans le sens du grain. Après le nettoyage, utilisez un produit à polir pour acier inoxydable tel que Stainless Steel MagicMD. Il est possible que le panneau en acier inoxydable vertical se décolore sous l'effet de la chaleur du brûleur si les brûleurs supérieurs arrière sont utilisés très souvent à haute température. Cette décoloration peut être éliminée à l'aide du nettoyant pour acier inoxydable Revere Ware.

## INTÉRIEUR DU FOUR ET DE LA PORTE

Si la porte du four devient mal alignée, remettez-la en place en suivant cette procédure toute simple : ouvrez grand la porte. Fermez les verrous de charnière (voir fig. 17). Une fois les deux charnières verrouillées, soulevez doucement la porte en la sortant légèrement de son axe jusqu'à ce qu'elle soit bien alignée sur toute la ligne. Remettez la porte à sa place en la glissant de manière uniforme et assurez-vous que les charnières sont bien centrées sur leur rouleau. La porte du four étant grande ouverte, déverrouillez les verrous de charnière; vous pouvez à présent fermer la porte. Assurez-vous que le four et la porte sont froids avant de les nettoyer. Ils sont couverts d'émail de porcelaine mat. C'est un matériau qui résiste mais n'est pas à l'épreuve de l'acide. Par conséquent, les aliments acides tels que le vinaigre, la rhubarbe, l'alcool, les jus citriques ou le lait doivent être essuyés avant qu'ils ne puissent durcir sous l'effet de la cuisson. Essayez des nettoyants doux tels que Bon-Ami, de l'ammoniaque, une solution d'ammoniaque et d'eau, ou Soft Scrub. Appliquez les poudres sur une éponge ou un linge humide. Frottez légèrement. Rincez abondamment puis séchez. Si les aliments ont brûlé sur le four et sont difficiles à enlever, trempez les taches à l'aide d'un linge saturé d'ammoniaque ménager. Laissez tremper pendant une heure ou deux avec la porte fermée. Vous devriez pouvoir éliminer facilement les salissures à l'aide d'un linge imbibé d'eau savonneuse ou d'un produit abrasif doux. Pendant la nuit, appliquez sur le four tiède (et non pas chaud) une solution de trois c. à s. d'ammoniaque dans une demi-tasse d'eau. Cela permet de ramollir les déversements et les résidus endurcis afin de pouvoir les essuyer facilement avec une éponge ou un linge humide propre. Pour les taches difficiles, utilisez un tampon à récurer métallique savonneux. L'utilisation occasionnelle de nettoyant abrasif est acceptable; cependant, une utilisation trop fréquente ou trop vigoureuse peut finir par endommager l'émail. Mouillez le tampon, frottez la surface légèrement, rincez abondamment puis séchez. Vous pouvez utiliser des nettoyants commerciaux prévus pour les fours, tels que Easy OffMD ou DowMD, pour nettoyer l'intérieur du four. Suivez le mode d'emploi du fabricant. Les nettoyants commerciaux pour les fours sont corrosifs pour l'ampoule du thermostat et le brûleur de grilloir à infrarouge : évitez de les utiliser pour vaporiser ou essuyer ces deux éléments. Si un nettoyant atteint l'ampoule ou le brûleur de grilloir, essuyez-les immédiatement à l'aide d'un linge humide propre.

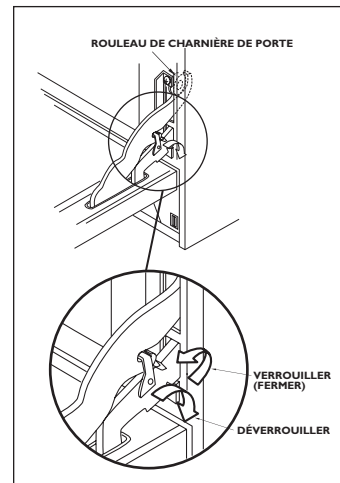


Fig. 17

## GRILLES DU FOUR ET SUPPORTS DE GRILLE

Toutes les grilles du four et les supports des grilles du four de 12 po sont en acier chromé. Les supports de grille à roulettes sont en acier inoxydable. Pour retirer les supports, enlevez d'abord les grilles, puis saisissez les supports et tirez-les vers le haut pour les extraire. Pour replacer les supports, remettez le haut en premier. Voir la page 23 au sujet du retrait des ensembles de supports de grille à roulettes du

# ENTRETIEN ET MAINTENANCE

---

four autonettoyant. Évitez d'immerger les ensembles de coulisses à grilles ou de les laver dans un lave-vaisselle. Nettoyez-les à l'aide d'une éponge, d'un linge ou d'une laine d'acier humide avec un détergent doux. Les nettoyeurs de chrome, tel que Soft Scrub, Cameo ou Bar Keepers Friend peuvent être appliqués avec une éponge humide suivant le mode d'emploi inscrit sur l'emballage. Rincez puis séchez. Appliquez un nettoyant en poudre tel que Bon-Ami ou Comet à l'aide d'une éponge ou d'un linge humide, frottez légèrement, rincez, puis séchez. Pour les souillures alimentaires difficiles à enlever, utilisez un tampon à récurer métallique savonneux, rincez et séchez. Vous pouvez utiliser sur les grilles des nettoyeurs forts commerciaux prévus pour les fours, tels que Easy Off ou Dow. Ces produits ne sont toutefois pas recommandés pour les ensembles de coulisses à grilles ou l'intérieur du four. De plus, certains produits commerciaux à nettoyer les fours tendent à produire un noircissement et une décoloration. Testez le nettoyant sur une petite section de la grille et vérifiez s'il y a de la décoloration avant de nettoyer la grille toute entière. Appliquez le produit abondamment. Laissez reposer pendant 15 à 20 minutes. Rincez abondamment puis séchez. Si les grilles ne glissent pas facilement après le nettoyage, versez une petite quantité d'huile de cuisson sur une serviette en papier et frottez légèrement sur les rails latéraux.

## CADRE, CÔTÉS, EXTÉRIEUR DE PORTE, DÉFLECTEUR

Ces pièces sont en acier inoxydable; suivez les instructions du dossier. Faites attention lorsque vous nettoyez le dessus de porte et ne laissez pas l'eau ou les nettoyeurs s'écouler par les événements, car ils pourraient strier le verre à l'intérieur de la porte.

## JOINT DE PORTE

Utilisez un nettoyant de cuisine en aérosol d'usage général, tel que Formula 409MD ou FantastikMD. Vaporisez puis séchez avec un linge. Évitez de frotter. Évitez d'enlever ou d'endommager la maille.

## REPLACEMENT DE L'AMPOULE DE LAMPE DU FOUR

Pour remplacer l'ampoule de la lampe du four, utilisez une ampoule de 40 watts, 120 volts, pour appareil électroménager uniquement. Celles-ci sont disponibles dans les supermarchés. ÉVITEZ d'utiliser des ampoules normales dans les fours car elles casseront sous l'effet de la chaleur.

1. Assurez-vous que l'interrupteur de la lampe du four est en position OFF (éteint). Son bouton doit être enfoncé. Laissez le couvercle et l'ampoule refroidir complètement.
2. Retirez le couvercle de la lampe. Tournez le couvercle vers la gauche (dans le sens contraire des aiguilles d'une montre) pour le dévisser.
3. Retirez l'ampoule brûlée. Remplacez-la par une ampoule de 40 watts pour appareil électroménager uniquement.
4. Remplacez le couvercle. Remettez le disjoncteur s'il était coupé. (Voir la mise en garde.)

---

### **MISE EN GARDE :**

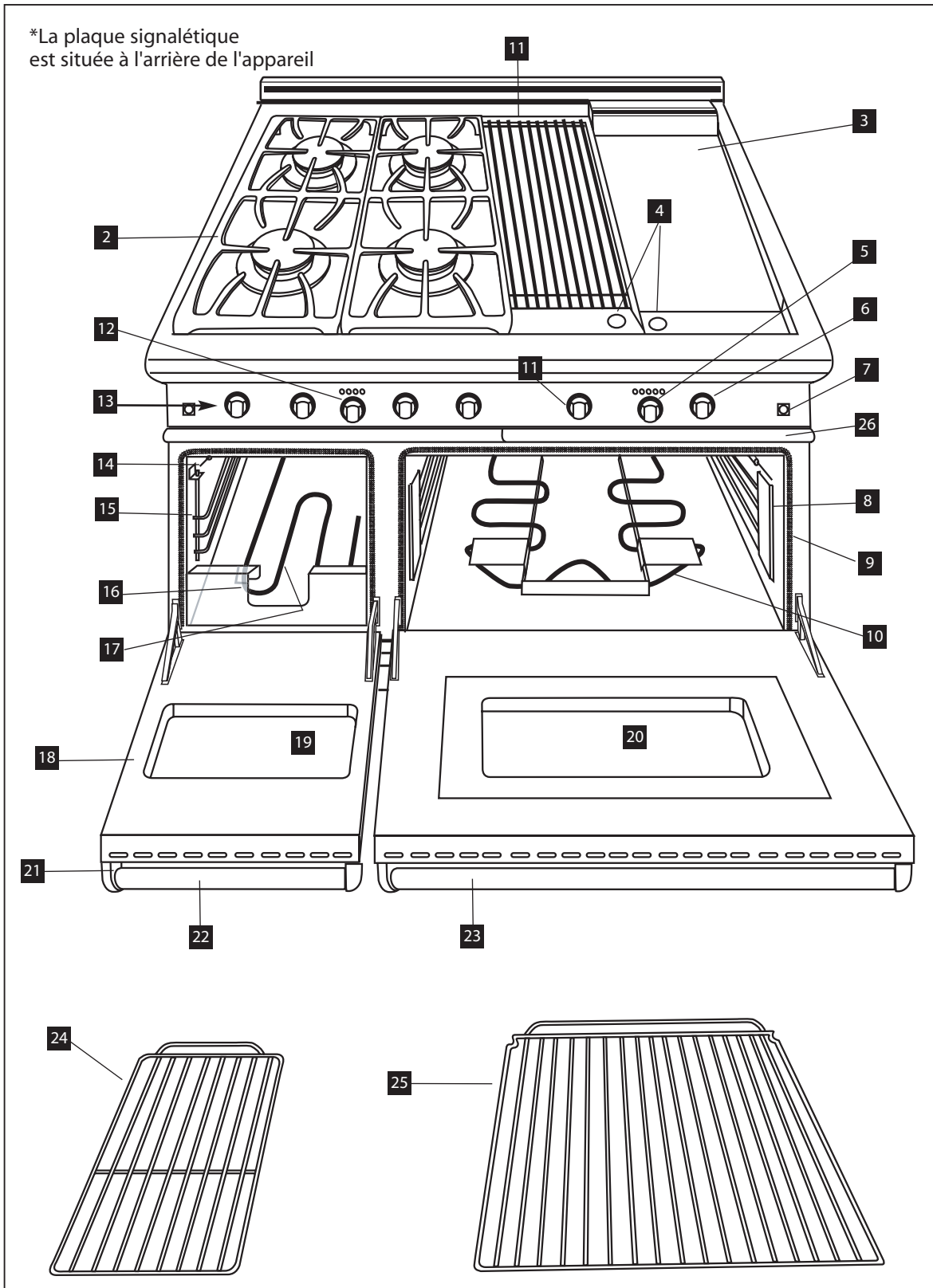
*assurez-vous que l'interrupteur de la lampe du four est en position OFF et que le couvercle est froid. Si l'ampoule se détache de sa base, coupez le courant du four par le panneau à disjoncteurs avant d'essayer de retirer la base de l'ampoule de la douille.*

## PANNE D'ALIMENTATION

Les brûleurs du grilloir et du four ne peuvent être allumés durant une panne d'alimentation. Pour allumer les brûleurs à tête ouverte, mettez le bouton de réglage sur « LITE », allumez une allumette et approchez-la de la couronne. Dès que la flamme s'allume tout autour du brûleur, réglez-la. Il est nécessaire d'allumer chaque brûleur séparément chaque fois que vous voulez l'utiliser.

# IDENTIFICATION DES PIÈCES

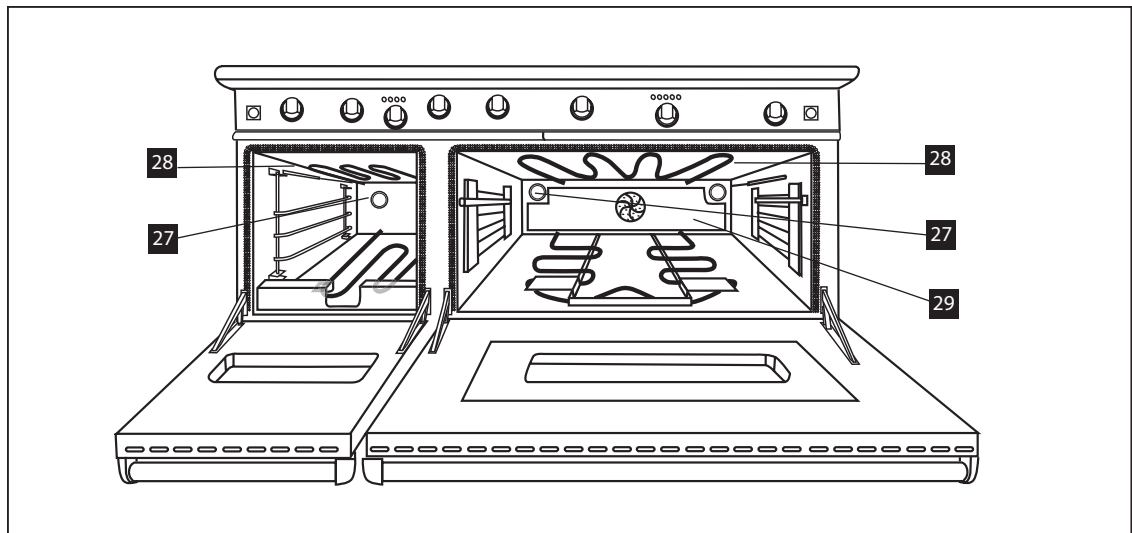
\*La plaque signalétique est située à l'arrière de l'appareil



# IDENTIFICATION DES PIÈCES

ARTICLE	DESCRIPTION
1	Gril
2	Grilles des brûleurs
3	Plaque chauffante
4	Tubes d'égouttement
5	Bouton de réglage du four de 27 po
6	Bouton de réglage de la plaque chauffante
7	Bouton d'éclairage du four
8	Coulisses des grilles du four
9	Joint de porte du four
10	Élément de chauffage du four
11	Bouton de réglage du gril
12	Bouton de réglage d'apprêt
13	Bouton de réglage du brûleur
14	Ampoule du thermostat
15	Coulisses des grilles du four

ARTICLE	DESCRIPTION
16	Cuve ramasse-miettes du four de 12 po
17	Élément de chauffage du four
18	Porte du four de 12 po
19	Fenêtre du four de 12 po
20	Fenêtre des fours de 27 et 24 po
21	Capuchon d'extrémité
22	Poignée de la porte du four de 12 po
23	Poignée de la porte du four de 27 et 24 po
24	Grille du four de 12 po
25	Grilles du four de 27 et 24 po
26	Lèche-frîte
27	Lampe de four
28	Élément de chauffage du four
29	Défecteur du ventilateur à convection



# POUR L'OBTENTION DE SERVICE

## AVANT D'APPELER LE SERVICE TECHNIQUE

- Est-ce que le disjoncteur s'est déclenché ou que le fusible est grillé?
- Y a-t-il une coupure de courant dans le secteur?

## SI LES BRÛLEURS DE LA TABLE DE CUISSON NE S'ALLUMENT PAS

- Est-ce que le brûleur à deux morceaux est monté correctement?
- Est-ce que la tête du brûleur est alignée correctement?
- Est-ce que le robinet d'arrêt manuel est ouvert? Il est généralement situé là où le gaz provient du mur.

Pour le service sous garantie, contactez le centre DCS agréé le plus proche au (888) 281-5698. Avant d'appeler, veuillez avoir les informations suivantes à portée de main :

- Numéro de modèle
- Numéro de série
- Date d'installation
- Brève description du problème

Votre satisfaction revêt la plus grande importance pour nous. Si un problème n'est pas résolu à votre entière satisfaction, veuillez communiquer avec nous par courrier, fax ou courriel :

Écrivez-nous à l'adresse suivante :

DCS

Attention :Consumer Relations  
5800 Skylab Road  
Huntington Beach, CA 92647

Faxez-nous au numéro suivant : (714) 372-7004

Email : [support@dcsappliances.com](mailto:support@dcsappliances.com)

# GARANTIE

---

## DURÉE DE LA GARANTIE

Un (1) an, pièces et main-d'œuvre sur tout le produit.

Cinq (5) ans de garantie limitée sur les brûleurs de surface, plaque chauffante, gril et four

Dix (10) ans de garantie limitée sur le four en porcelaine et le panneau de porte intérieur en porcelaine

## DCS COUVRE LES FRAIS SUIVANTS :

Frais de main-d'œuvre et de réparation de pièces jugées défectueuses pour cause de vice de matière ou de fabrication, et ce pendant une année complète avec garantie « À DOMICILE » pendant la première année d'achat. Cette garantie ne s'applique pas si l'appareil a été soumis à une utilisation autre qu'une utilisation domestique normale. Le service doit être fourni par un agent agréé de l'usine durant les heures ouvrables normales. Il n'y aura pas de frais facturés pour les réparations ou remplacements effectués sur le site de l'installation initiale ou en usine pour des pièces renvoyées port payé, par l'intermédiaire du distributeur, pendant la période de garantie, et jugées défectueuses par DCS.

Les remplacements sont effectués franco à bord DCS; DCS n'est pas responsable des frais de transport, de main-d'œuvre ou des tarifs douaniers s'appliquant à l'exportation. Cette garantie ne saurait s'appliquer, et nous n'assumons aucune responsabilité pour les dommages pouvant résulter du fait de ne pas avoir respecté les consignes du fabricant ou des codes en vigueur, ou d'avoir trafiqué ou altéré l'appareil de quelque façon, ou d'avoir, selon nous, soumis l'appareil à une mauvaise utilisation, à de la négligence ou à un accident. Toute garantie implicite ne pourra s'étendre au-delà de la durée de cette garantie écrite. Cette garantie remplace toutes les autres garanties, explicites ou implicites, ainsi que toutes les autres obligations ou responsabilités relatives à la vente de cet appareil.

## DCS NE COUVRE PAS LES FRAIS SUIVANTS :

- Installation ou démarrage
- Dommages subis durant le transport.
- Service effectué par un centre non agréé.
- Dommages ou réparations causés par un service effectué par un centre non agréé ou par l'utilisation de pièces non autorisées.
- Service effectué en dehors des heures ouvrables normales
- Mauvaise installation, telle qu'un branchement incorrect, etc.
- Visites de service pour vous apprendre comment utiliser l'appareil, corriger l'installation, réarmer les disjoncteurs ou remplacer les fusibles de la maison
- Réparations dues à une utilisation autre qu'une utilisation domestique normale.
- Dommages causés par accident, abus, altération, mauvaise utilisation, installation incorrecte ou installation non conforme aux codes en vigueur
- Appareils installés dans le cadre d'applications non résidentielles telles que garderies, auberges, lieux de culte, maisons de soin, restaurants, hôtels, écoles, etc.

Cette garantie s'applique aux appareils utilisés dans des applications résidentielles. Elle ne couvre pas les utilisations commerciales. Cette garantie couvre les produits achetés et utilisés dans les 50 états des États-Unis, le District de Columbia et au Canada. La garantie s'applique même si vous déménagez durant la période de garantie. Si l'appareil est vendu par l'acheteur initial durant la période de garantie, le nouveau propriétaire continue de bénéficier de la protection jusqu'à la date d'expiration de la période de garantie de l'acheteur initial. Cette garantie vous donne des droits juridiques spécifiques. Il se peut que vous ayez d'autres droits pouvant varier d'une juridiction à l'autre.







PERFECT HEAT.™

5800 Skylab Road, Huntington Beach, CA 92647  
Tel: 714.372.7000 • Fax: 714.372.7001  
Customer Service: (888) 281-5698  
[www.dcsappliances.com](http://www.dcsappliances.com)

DCS améliore constamment ses produits et se réserve le droit de modifier les spécifications ou la conception de ses produits sans aucun préavis.

As product improvement is an ongoing process at DCS, we reserve the right to change specifications or design without notice.

Réf. 17434 Rév. C  
Lithographie aux États-Unis 01/2003