

## FEATURES

92.1% AFUE

Heating input range 50,000-125,000 BTUH

Cooling capacity supported 1 1/2 - 5 ton

Downflow/horizontal right application flexibility

Electronic air cleaner connection (115V)

Humidifier connection (115V)

5 amp fused low voltage circuit protection

Time delay off for air conditioner SEER enhancement

Twinning Compatible

## WARRANTY

Limited Lifetime warranty on heat exchanger, 5-years limited warranty on covered components (see warranty certificate for details)

## HEAT EXCHANGER ASSEMBLY

Crimp-Tite™ crimped aluminized steel primary heat exchanger for longer life and safe operation

Stainless steel secondary heat exchanger maximizes durability.

## VENTING

Category IV appliance

Can be vented horizontally or vertically using 2" or 3" Schedule 40 PVC, ABS, or CPVC (see installation manual for details)

Approved for 2-pipe (direct vent) or single-pipe applications

Approved for installations with listed concentric vent kit

## CONTROLS

Direct 115V Hot Surface Ignition system with LED diagnostic for fast, accurate troubleshooting

Slow opening valve for quiet, smooth ignition

Electronic fan timer control

## SAFETY

CSA certified for US and Canada

Safety limits prevent overheating

## CABINET

Heavy-gauge, insulated cabinet provides strength and quiet comfort

Ducane diagnostic sleeve for fast, safe troubleshooting.

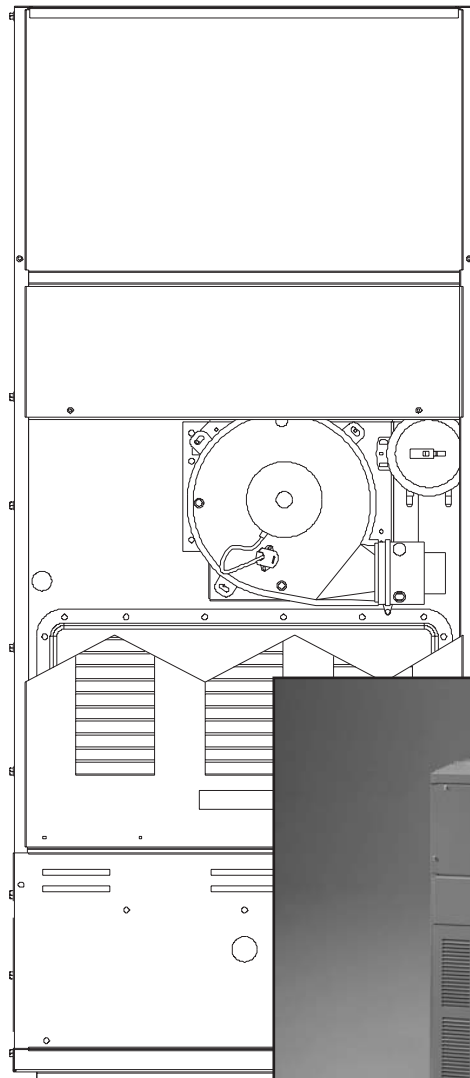
## INDOOR AIR BLOWER

Three-speed PSC blower motor

Ducane Gas Furnace

# FITS-ALL 92™

DOWNFLOW/HORIZONTAL-RIGHT



# Ducane®

**AIR CONDITIONING  
AND HEATING**

THE DIFFERENCE IS QUALITY.™  
WWW.DUCANEHVAC.COM



# Ducane Gas Furnace

# FITS-ALL 92™

## UNIT SPECIFICATIONS

	CMPB050C3B	CMPB075C3B	CMPB100C4B	CMPB125C5B
GAS	NATURAL (LP WITH CONVERSION KIT)			
INPUT RATE (BTU per Hour)	50,000	75,000	100,000	125,000
AFUE (ISOLATED COMB. SYSTEM)	92%			
TEMPERATURE RISE	35-65°F	40-70°F		
VOLTS/PHASE/HERTZ	115/1/60			
STATIC PRESSURE (certified max)	0.50"W.C.			
HEATING, AIR FLOW @ .20" STATIC (w/o FILTER)	1060CFM	1280CFM	1690CFM	1940CFM
COOLING, AIR FLOW @ .50" STATIC (w/o FILTER)	1205CFM		1795CFM	2115CFM
BLOWER MOTOR HORSEPOWER	1/3		1/2	3/4
BLOWER WHEEL SIZE (dia x width)	10 X 6		12 X 9	12 X 12
NUMBER OF HEAT EXCHANGERS	2	3	4	5
FLUE AND AIR INLET PIPE-DIAMETER (schedule 40 PVC, ABS or CPVC used on all)	2"		3"	
LIMIT CONTROL, SNAP DISC STYLE	150°F	170°F		
GAS VALVE/IGNITION CONTROL	INTEGRATED FURNACE CONTROL W/115V HSI SYSTEM			
TRANSFORMER	40 VA. 115 VAC PRIMARY, 24 VAC SECONDARY, FOOT-MOUNTED			
MAXIMUM OUTLET TEMPERATURE	180°F			
SHIPPING WEIGHTS	152	158	187	217

NOTES: **C**= Counterflow (CMPB050**C**3)

## AIR FLOW DATA

MODEL NUMBER	BLOWER SPEED	EXTERNAL STATIC									
		0.1	0.2	0.3	0.4	0.5	0.6	0.7	0.8	0.9	1.0
<b>CMPB050C3B</b> <i>(10 X 6 WHEEL, 1/3 HP MOTOR)</i>	LOW	1080	1060	1030	1000	965	905	840	765	655	525
	MED	1330	1280	1225	1175	1110	1040	965	875	770	630
	HIGH	1490	1420	1360	1285	1205	1125	1070	985	880	750
<b>CMPB075C3B</b> <i>(10 X 6 WHEEL, 1/3 HP MOTOR)</i>	LOW	1080	1060	1030	1000	965	905	840	765	655	525
	MED	1330	1280	1225	1175	1110	1040	965	875	770	630
	HIGH	1490	1420	1360	1285	1205	1125	1070	985	880	750
<b>CMPB100C4B</b> <i>(12 X 9 WHEEL, 1/2 HP MOTOR)</i>	LOW	1420	1400	1360	1335	1290	1245	1190	1120	1060	995
	MED	1715	1690	1665	1610	1550	1480	1400	1320	1245	1145
	HIGH	2055	2020	1945	1865	1795	1710	1640	1535	1410	1340
<b>CMPB125C5B</b> <i>(12 X 12 WHEEL, 3/4 HP MOTOR)</i>	LOW	1425	1400	1375	1345	1320	1290	1245	1185	1120	1035
	MED	1980	1940	1895	1835	1785	1720	1645	1575	1475	1385
	HIGH	2395	2340	2275	2210	2115	2025	1925	1825	1720	1610

NOTES: 1) Air flow values in cubic feet per minute (CFM), rounded to nearest five (5) CFM  
2) Data taken without filters or AC coil in place

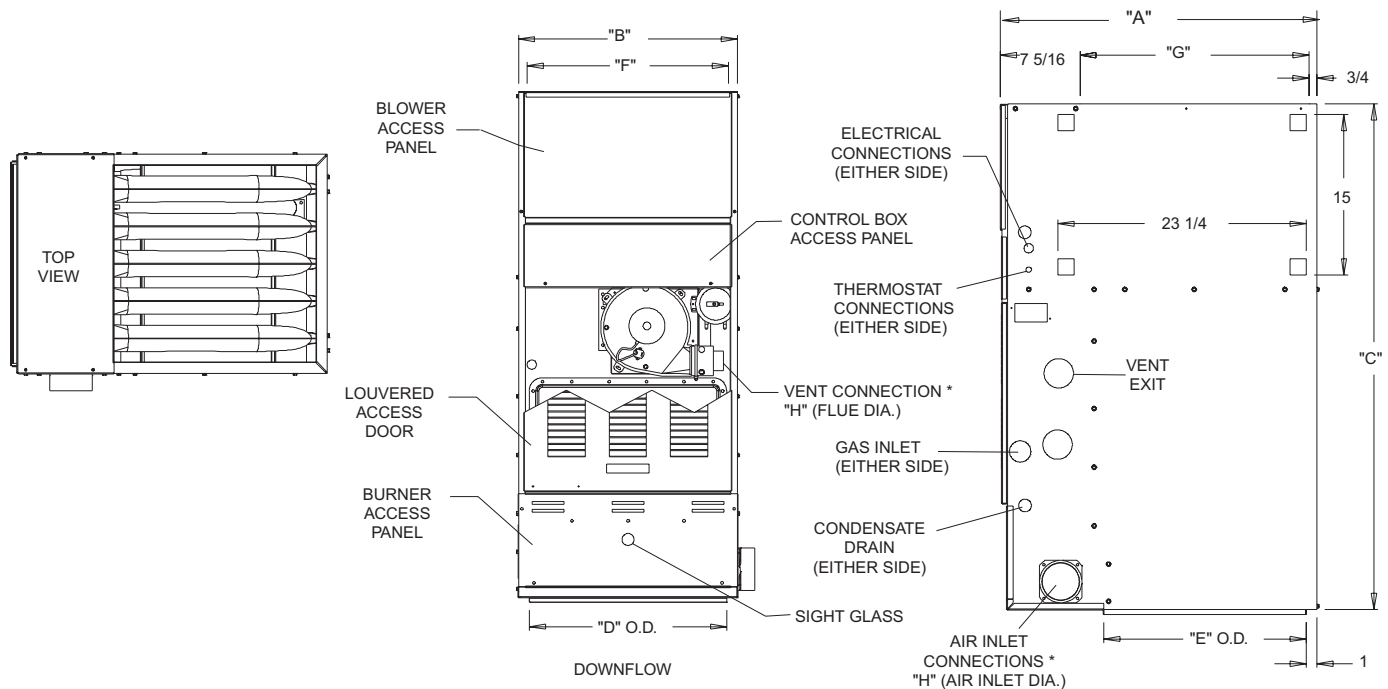
# MAX VENT LENGTHS FOR COUNTERFLOW

APPLICATION	Allowable Max Vent Lengths of 2" Dia. PVC, ABS or CPVC SCH 40 PIPE				
Number of elbows	1	2	3	4	5
Non-direct Vent (1Pipe) System 50,000 & 75,000 BTUH	60	58	55	53	50
Direct Vent (2 Pipe) System 50,000 & 75,000 BTUH	60	58	55	53	50
APPLICATION	Allowable Max Vent Lengths of 3" Dia. PVC, ABS or CPVC SCH 40 PIPE				
Number of elbows	1	2	3	4	5
Non-direct Vent (1Pipe) System 50,000 & 75,000 BTUH	80	76	73	70	65
Direct Vent (2 Pipe) System 50,000 & 75,000 BTUH	80	76	73	70	65
Non-direct Vent (1Pipe) System 100,000 BTUH	65	61	58	55	50
Direct Vent (2 Pipe) System 100,000 BTUH	65	61	58	55	50
Non-direct Vent (1Pipe) System 125,000 BTUH	50	46	43	39	35
Direct Vent (2 Pipe) System 125,000 BTUH	50	46	43	39	35

## GENERAL LAYOUT

MODEL NUMBER	UNIT DIMENSIONS			DUCT SUPPLY OPENING		DUCT RETURN CUT-OUT		AIR INLET & VENT PIPE DIA.
	LENGTH	WIDTH	HEIGHT	D	E	F	G	H
<b>CMPB050C3B</b>	29-1/2	13-1/2	47-3/8	11-1/2	18-15/16	12	21-5/8	2
<b>CMPB075C3B</b>	29-1/2	13-1/2	47-3/8	11-1/2	18-15/16	12	21-5/8	2
<b>CMPB100C4B</b>	29-1/2	17	47-3/8	15	18-15/16	15-1/2	21-5/8	3
<b>CMPB125C5B</b>	29-1/2	20-1/2	47-3/8	18-1/2	18-15/16	19	21-5/8	3

\* all dimensions in inches



# ACCESSORIES

	CMPB050C3B	CMPB075C3B	CMPA100C4B	CMPA125C5B
FLOOR BASE KIT FOR COUNTERFLOW	20066503	20066503	20066501	20066502
NATURAL TO LP GAS CONVERSION KIT	20490602			
LP TO NATURAL GAS CONVERSION KIT	20272002			
NATURAL TO LP GAS CONVERSION KIT HIGH ALTITUDE	20269402			
HIGH ALTITUDE PRESSURE SWITCH KIT	20274505			20274506
FILTER RACK KIT	20069901			20069902
CON. 2" DIA. VENT TERM. KIT	20280901			
CON. 3" DIA. VENT TERM. KIT	20280902			

## NOTES



[www.ducanehvac.com](http://www.ducanehvac.com)

For more information, contact your local Ducane distributor.

SPECIFICATIONS SUBJECT TO CHANGE WITHOUT NOTICE DUE TO CONTINUOUS PRODUCT REFINEMENTS.  
© 2002 EXCEL COMFORT SYSTEMS

193400 WP/GA 1/01 50K  
20592502 Replaces 20091128