

Official Worldwide Olympic Partner



50 Hz

2008/4

**3CCD Convertible Cameras**  
**Pan-tilt Systems**  
**Compact Live switchers**



**Panasonic camera systems for a wide range of locations**



# Panasonic's extensive lineup enables configuration of the

You can configure peripheral components around a high image quality 3CCD convertible camera to achieve the ideal system for any application.

High resolution, high image quality

Original key benefits such as the 12-bit A/D converter enable sophisticated image processing.

Flexible system configuration

Panasonic's extensive lineup lets you create a system boasting

Broad selection of peripherals

Enables optimum system configuration

## 3CCD Convertible Cameras

Panasonic's cameras offer high quality images by advanced

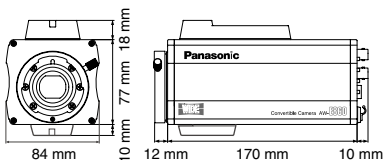
### 2/3-inch Bayonet Mount

#### AW-E860



##### 16:9/4:3 Switchable Wide Image Shooting Camera

- 2/3" 3CCD high image quality
- Switchable 16:9/4:3 aspect ratios
- Horizontal resolution: 850 lines
- Signal to noise ratio: 65 dB (NTSC)/ 63 dB (PAL) (DNR on)
- High sensitivity: 2 000 lx, F11
- Minimum illumination: 0.4 lx, (F1.7, Night Eye H)
- Wide dynamic range: 600 %
- Compact size, light weight and low power consumption



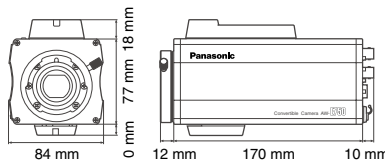
Power supply	DC12 V
Power consumption	Approx. 15.4 W
Dimensions (W x H x D)	84 mm x 95 mm x 192 mm (3-5/16" x 3-3/4" x 7-9/16")
Weight	Approx. 1.15 kg (2.5 lbs)

#### AW-E750



##### High Sensitivity, Wide Dynamic Range Camera

- 2/3" 3CCD high image quality
- Horizontal resolution: 850 lines
- Signal to noise ratio: 67 dB (NTSC)/ 65 dB (PAL) (DNR on)
- High sensitivity: 2 000 lx, F14
- Minimum illumination: 0.005 lx, 0.00005 lx (2-second CCD charge accumulation)
- Wide dynamic range: 600 %
- Compact size, light weight and low power consumption



Power supply	DC12 V
Power consumption	Approx. 12.6 W
Dimensions (W x H x D)	84 mm x 95 mm x 192 mm (3-5/16" x 3-3/4" x 7-9/16")
Weight	Approx. 1.1 kg (2.4 lbs)

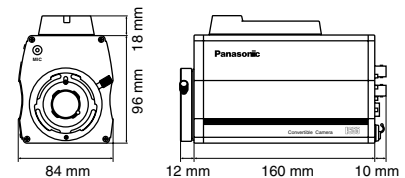
### 1/2-inch Bayonet Mount

#### AW-E655



##### Camera Equipped with Motor-driven Optical Filter

- 1/2" 3CCD high sensitivity
  - Horizontal resolution: 850 lines
  - Signal to noise ratio: 67 dB (NTSC)/ 65 dB (PAL) (DNR on)
  - High sensitivity: 2 000 lx, F14
  - Minimum illumination: 0.005 lx, 0.00005 lx (2-second CCD charge accumulation)
  - Motor-driven optical filter (Normal, 1/16ND, 1/64ND, IR through)
- The AW-E655's optical filter rotates to facilitate its use as an infrared camera capable of shooting completely dark scenes from a distance.



Power supply	DC12 V
Power consumption	Approx. 12 W
Dimensions (W x H x D)	84 mm x 114 mm x 182 mm (3-5/16" x 4-1/2" x 7-3/16")
Weight	Approx. 1.2 kg (2.6 lbs)

### 2/3" Lenses for AW-E860/E750

#### AW-LZ17MD9A

- 17x MD zoom lens
- Focal length: 9 mm-153 mm (F1.9-2.6)



#### AW-LZ17ST9A

- 17x studio zoom lens
- Focal length: 9 mm-153 mm (F1.9-2.6)



### 1/2" Lenses for AW-E655/E650

#### AW-LZ16MD73

- 16x MD zoom lens
- Focal length: 7.3 mm-117 mm (F1.9-2.3)



# optimum system for your needs.

Panasonic's exceptional reliability throughout.

for a wide range of applications including program production.



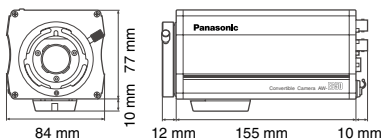
## Digital Signal Processor (DSP) with clean Digital Noise Reduction (DNR) and 12 vector matrix masking.

### AW-E650



#### High Sensitivity, High Image Quality Camera

- 1/2" 3CCD high image quality
- Horizontal resolution: 850 lines
- Signal to noise ratio: 67 dB (NTSC)/ 65 dB (PAL) (DNR on)
- High sensitivity: 2 000 lx, F14
- Minimum illumination: 0.005 lx, 0.00005 lx (2-second CCD charge accumulation)
- Compact size, light weight and low power consumption



Power supply	DC12 V
Power consumption	Approx. 11.8 W
Dimensions (W x H x D)	84 mm x 77 mm x 177 mm (3-5/16" x 3-1/32" x 7")
Weight	Approx. 0.92 kg (2.02 lbs)

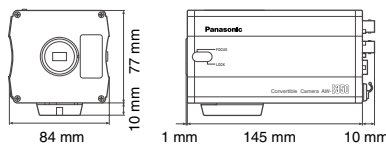
### 1/3-inch C-Mount

### AW-E350



#### Cost Effective C-Mount Lens Camera

- 1/3" 3CCD C-mount lens camera
- Horizontal resolution: 850 lines
- Signal to noise ratio: 66 dB (NTSC)/ 63 dB (PAL) (DNR on)
- High sensitivity: 2 000 lx, F9.5
- Minimum illumination: 0.015 lx, 0.00015 lx (2-second CCD charge accumulation)
- Compact size, light weight and low power consumption



Power supply	DC12 V
Power consumption	Approx. 11.3 W
Dimensions (W x H x D)	84 mm x 77 mm x 156 mm (3-5/16" x 3-1/32" x 6-1/8")
Weight	Approx. 0.8 kg (1.8 lbs)

### Feature Cards

#### SDI Card AW-PB504

Digital connecting card for video equipment with SDI input jack

- Output: Serial digital interface (SMPTE259M [4:2:2 SDI])
- Zoom/focus of the MD lens can be controlled by contact closure type pan-tilt head control or a controller without a pan-tilt head.

\*Lens control is not servo type control.



#### Studio Card AW-PB305A

Studio camera system card

- Output: RGB, Y/Pr/Pb, Y/C, VBS
- 4-inch EVF (Zebra, safety zone, and center marker are included), and intercom input and output, and tally output compatible
- EVF interface bracket is included



#### SDI Studio Card AW-PB506A

Studio and SDI Cards are integrated into one.

- SDI Output: SMPTE259M compatible
- View finder connector is mounted
- Intercom jack and intercom audio volume mounted on the EVF interface bracket
- EVF interface bracket is included



### Lens Control kit

#### AW-LK30

- For MD (Motor Drive) Lenses
- Cable Length: 190 cm



#### WV-LK36

- For Studio Zoom Lens AW-LZ17ST9A AW-LZ17ST66



#### WV-LK35

- For Canon Zoom Lens

#### AW-LK50

- For Studio Zoom Lens AW-LZ16ST55



### AW-LZ17ST66

- 17x studio zoom lens
- Focal length: 6.6 mm-114 mm (F1.5-1.9)



### 1/3" Lenses for AW-E350

#### AW-LZ16MD55

- 16x MD zoom lens
- Focal length: 5.5 mm-88 mm (F1.4-1.8)



#### AW-LZ16ST55

- 16x studio zoom lens
- Focal length: 5.5 mm-88 mm (F1.4-1.8)



## Pan-tilt Heads

Multiple types of pan-tilt heads are available for professional camera applications both indoors and outdoors.

### Indoor



High Performance Pan-tilt Head

## AW-PH400

A high performance, high speed, quiet pan-tilt head

- Pan range: 400 ° Tilt range: 300 °
- Maximum pan/tilt speed: 90 ° /sec (variable speed)
- Stop accuracy (±30 seconds) (0.008 °)
- Noise: Under NC30 (at 30 ° /sec)
- Maximum load: 8 kg (17.6 lbs)
- 10 tracing memories (Maximum time: 600 seconds)
- RS-232C controllable (Through AW-RP400)
- Tally lights are available
- Maximum control distance: 500 m (1 640 ft.) from AW-RP400 (Maximum 1 000 m (3 280 ft.) using protocol converter AW-IF400)
- Last position can be stored.
- Diagonal motion is possible.
- Optional camera rolling unit (AW-RL400) is available
- Teletypewriter output
- Both broadcast and industrial motor driven lenses are acceptable.
- Power Supply (standard accessory) can be installed in pan-tilt head.



With Camera Rolling Unit

Camera Rolling Unit

## AW-RL400

- Power is supplied from AW-PH400.
- Convertible cameras are mountable
- Controlled by AW-RP400.

Power supply	DC24 V
Power consumption	Approx. 24 W
Maximum load	4 kg (8.8 lbs)
Rotation range	380 ° (±190 °)
Maximum speed	60 ° /s
Weight	Approx. 3.9 kg (8.8 lbs)
Dimensions(W x H x D)	205 mm x 198 mm x 260 mm (8-1/16 " x 7-13/16 " x 10-1/4 ")

Indoor Pan-tilt Head

## AW-PH405

A compact pan-tilt head for heavy load



- High pan-tilt speed: 45 ° /sec
- Quiet motion: Noise level under NC35 (at 30 ° /sec)
- Stop accuracy (±3 minutes) (0.05 °)
- Maximum load: 15 kg (33.1 lbs) (using with a camera, a lens and a teletypewriter)
- Pan range: 300 ° Tilt range: 300 °
- 50 preset positions and 10 tracing memories (Maximum time: 300 sec) are available when using the pan-tilt head controller AW-RP655.\*
- Up to five camera systems can be controlled using Panasonic controllers (AW-RP655/RP555/RP400\*\*)
- Maximum control distance: 1 500 m (4 920 ft.)...AW-RP400 + AW-IF400 (optional protocol converter) 1 000 m (3 280 ft.)...AW-RP655/RP555
- A removable tally light is available on the pan-tilt head.
- RS-232C controllable (through Panasonic controllers)
- Professional motor drive lenses and broadcast ENG lenses\*\*\* can be connected.

\* You can't use tracing memories if you use the AW-RP400 in combination with the AW-IF400.  
\*\* Use together with the AW-IF400 if you use the AW-RP400.  
\*\*\* Use an optional cable if you use a broadcast ENG lens.

Indoor Pan-tilt Head

## AW-PH360

A compact pan-tilt head with a wide pan-tilt range



- Pan angle: 300 ° Tilt angle: 190 °
- High performance: Quiet (Under NC40)  
Pan speed (30 ° /sec) / Tilt speed (25 ° /sec)
- Stop accuracy (±3 minutes) (0.05 °)
- Smooth starts and stops with soft landing function
- 50 preset memories
- Maximum load: 4 kg (8.8 lbs)
- Maximum control distance 500 m (1 640 ft.) from AW-RP400\* 1 000 m (3 280 ft.) from AW-RP655/RP555
- RS-232C interface

\* AW-PH360 requires Power Supply AW-PS300A.



With AK-HC1500 and AK-LZ20M85

Power Supply

## AW-PS300A

Power supply	AC120 V/4.9 A, AC220 V to 240 V*
Dimensions(W x H x D)	210 mm x 51 mm x 275 mm (8-1/4 " x 2 " x 10-13/16 ")
Weight	Approx. 2.2 kg (4.8 lbs)

\* The values vary depending on the region.

### Outdoor



Outdoor Pan-tilt Head

## AW-PH650

Waterproof design for stable shooting despite the rain

- Pan angle: 320 ° (±160 °) Tilt angle: +50 ° -90 °
- High performance: Quiet (Under NC40)  
Pan speed (20 ° /sec) Tilt speed (20 ° /sec)
- In addition to zooming, panning and tilting functions, heater, wiper and defroster functions for the housing can also be controlled by the controller.
- 50 preset memories
- Maximum load: 10 kg (22 lbs)
- Maximum control distance: 1 000 m (3 280 ft.)
- Camera housing, power supply and cables are included with the AW-PH650.
- Accessories: power cable (approx. 30 m (98 ft.)), control cable (approx. 10 m (32.8 ft.)), camera cable (approx. 0.4m (1.312 ft.) for C-CAM/AK-HC910/HC1500)

Housing	
Dimensions(W x H x D)	246 mm x 314 mm x 685 mm (9-11/16 " x 12-3/8 " x 26-15/16 ")
Weight	Approx. 18 kg (39.7 lbs)
Power Supply	
Dimensions(W x H x D)	200 mm x 131 mm x 280 mm (7-7/8 " x 5-3/16 " x 11-1/16 ")
Weight	Approx. 4.2 kg (9.3 lbs)

## Control Panels

Pan-tilt systems for multiple cameras ready for a wide range of applications.

### Multi-function Controller

## AW-RP655



(Rear view)

### High performance multi-function controller with full camera control function

- Controls maximum five cameras and five pan-tilt heads without hub unit.
- Full camera control by LCD menu
- Control speed can be adjusted by the angle of the operation lever and high speed and low speed mode can be switched.
- 50 pre-set memories per camera
- Ergonomically designed joystick controller
- 10 tracing memories (Maximum time: 300 sec)
- Maximum control distance from controller to pan-tilt head: 1 000 m (3 280 ft.) (AW-PH360,AW-PH650) This controller can control an AW-PH400 by using a protocol converter (AW-IF400).
- The motion direction of the operation lever can be reversed.
- Two additional controllers can be connected.
- This controller can be placed on a desk or mounted in a rack.
- Power Supply AW-PS505A is required.

Power supply	DC12 V
Power consumption	Approx. 9.0 W
Dimensions(W x H x D)	420 mm x 52 mm x 220 mm (16-1/2 " x 2-1/16 " x 8-11/16 ")
Weight	Approx. 3.5 kg (7.7 lbs)
Accessories	Rack mounting adapters (5U) x 2 Mounting screws (M4 x 8 mm) x 4

### Compact Size Controller

## AW-RP555



(Rear view)

### Compact controller with full camera control function

- Controls up to five cameras and five pan-tilt heads.
- Full camera control by camera menu
- Speed of controls can be adjusted by the angle of the operation lever.
- 10 pre-set memories per camera
- Maximum control distance from pan-tilt head to controller: 1 000 m (3 280 ft.) (AW-PH360,AW-PH650)
- With a protocol converter (AW-IF400), this controller can control the AW-PH400.
- The motion direction of the operation lever can be reversed or changed.
- This controller can be placed on a desk or mounted in a rack. (The position of input and output connectors can be changed by 90 degrees)
- Power Supply AW-PS505A is required.

Power supply	DC12 V
Power consumption	Approx. 9.0 W
Dimensions(W x H x D)	210 mm x 58 mm x 177 mm (8-1/4 " x 2-5/16 " x 7 ")
Weight	1.4 kg (3.08 lbs)
Accessories	Rack mounting adapters (5U) x 2 Mounting screws (M4 x 8 mm) x 4

### Pan-tilt Controller

## AW-RP400

Joystick controller can be changed for seesaw controller. (Standard accessory)



Seesaw controller



(Rear view)

### High performance controller for professional and broadcast use

- Changeable zoom/focus controller (joystick/seesaw)
  - Joystick with camera roll control
  - 50 preset positions
  - 5 pan-tilt heads control
  - Zoom/Focus/Pan/Tilt speed control
  - Tally/Intercom function
  - 10 minutes tracing memory (60 seconds x 10 positions)\*
  - RS232C interface
  - Maximum control distance:500 m (1 640 ft.)\*\*
  - Cross control by two controllers
  - Camera control inputs (AW-CB400)
  - +DC12 V operation (Power Supply AW-PS505A is required.)
- \* This function does not work for AW-PH405/PH650.  
\*\* Maximum 1 000 m (3 280 ft.) by using the Protocol Converter AW-IF400.

Power supply	DC12 V
Power consumption	Approx. 13 W
Weight	Approx. 3.8 kg (8.4 lbs)
Dimensions(W x H x D)	320 mm x 85 mm x 266 mm (12-5/8 " x 3-3/8 " x 10-1/2 ")
Accessories	Zoom switch x 1, Plug (D-SUB 15pin) for tally/INCOM system x 1 set, Rack-mounting adapters x 2, Mounting screws (M4 x 8 mm) x 4

Availability of the tracing memory function

	AW-PH400	AW-PH405	AW-PH360	AW-PH650
AW-RP655	●	●	●	●
AW-RP555	—	—	—	—
AW-RP400	●	—	●*	—

\* When you use it with AW-IF400, activating the extended distance transmission function is required.

# Camera Controller/Switcher

## Remote Operation Panel

### AW-CB400



(Rear view)



#### Remote control panel enabling full control of up to five cameras

- Controls five cameras
- Full camera control
- +DC12 V operation\*
- Tally/Intercom function\*\*

\* Power is supplied from AW-RP400.  
Power supply AW-PS505A is required for controlling cameras directly (Maximum control distance: 1 000m (3 280 ft.))  
\*\* Intercom function is not available if the AW-CB400 is connected directly to the camera.

Power supply	DC12 V
Power consumption	Approx. 3.8 W
Weight	Approx. 1.4 kg (3.08 lbs)
Dimensions(W x H x D)	100 mm x 85 mm x 266 mm (4" x 3-3/8" x 10-7/16")
Accessories	Pan-tilt controller connection cable (10 m (32.8 ft.))

## Remote Control Unit (RCU)

### AW-RC600



(Rear view)

#### Basic camera controls on the front panel and full camera control by camera menu

- Composite, Y/C and component (Y/Pb/Pr, R/G/B) outputs
- By using RCU cable (AW-CA50A26) and extension cables (WV-CA26T26, WV-CA26U/15/30/100), this unit can control a camera at a maximum distance of approx. 100 m (328 ft.) (with viewfinder AW-VF64)
- Camera power can be supplied by this RCU.
- Equipped with tally/intercom, AUX (for line view) inputs, and contact-closure type pan-tilt head control input terminal (15-pin D-sub)

Power supply	AC120 V/AC220 V to 240 V*
Power consumption	Approx. 67 W
Dimensions(W x H x D)	420 mm x 88 mm x 250 mm (16-1/2" x 3-7/16" x 9-13/16")
Weight	Approx. 5.6 kg (13.2 lbs)
Accessory	Power cable x 2, Rack angle handles x 2, Rack-mount angles x 2, Rack angle handle fixing screws x 4, Mounting screws x 4

\* The values vary depending on the region.

## Cable Compensation Unit

### AW-RC400



(Rear view)

- Five channels compensation
- Composite, Y/C, Y/Pb/Pr, R/G/B (Composite, Y/C, Y/Pb/Pr, R/G/B video signals can be compensated by maximum 500 m (1 640 ft.))
- +DC12 V operation (Power Supply AW-PS505A is required.)

Power supply	DC12 V
Power consumption	Approx. 9 W
Weight	Approx. 3.7 kg (8.2 lbs)
Dimensions(W x H x D)	420 mm x 88 mm x 250 mm (16-1/2" x 3-7/16" x 9-13/16")
Accessories	Rack-mount angles x 2, Mounting screws (M4 x 8 mm) x 4

## Compact Live Switcher

### Compact Live Switcher AW-SW350



(Rear view)



#### High quality five input live switcher for multi use

- Five inputs (composite and Y/C) in compact body (half rack size)
- Three program outputs and one preview output
- Selectable bus switching system
- 10 bit, 5-channel frame synchronizer/genlock system are switchable
- Frame capture, soft wipe and linear key
- +DC12 V operation
- Tally and intercom function
- Power Supply AW-PS505A is required.

Power supply	DC12 V
Power consumption	Approx. 16 W
Dimensions(W x H x D)	210 mm x 86 mm x 176 mm (8-1/4" x 3-3/8" x 6-15/16")
Weight	Approx. 2.2 kg (4.8 lbs)
Accessories	Tally/Intercom connector x 5, Rack mounting clamp x 2, Connection bracket, Screw kit, Image transfer setup CD

# Cable/Other Peripheral

## Cables

Name	Number	Connection apparatus		Length	Note
Cable joint adapter	WV-CA26T26	AW-E750 etc.	WV-CA26U15 etc.		Connects AW-CA50A26 to longer lengths
Studio cable (26P-26P)	WV-CA26U15 / 30 / 100	AW-E750 etc.	AW-RC600	15 m, 30 m, 100 m	
Lens extension cable	AW-CA12T12A	AW-E750 etc.		0.15 m	12P-12P
RCU cable	AW-CA50A26	AW-E750 etc.	AW-RC600	15 m	
RGB cable	AW-CA50T6	AW-E750 etc.	Monitor, VTR etc.	5 m	BNCx5 + S terminal
RS-232C pan-tilt cable	AW-CA28T9	AW-PH360	PC.	5 m	A pan-tilt head is controlled by a PC.
RS-232C camera control cable	AW-CA50T9	AW-E750 etc.	PC.	10 m	A camera is controlled by a PC.
Camera control cable	AW-CA50T8	AW-E750 etc.	AW-CB400	10 m	
Pan-tilt cable kit	AW-CAK4H1	AK-HC1500	AW-PH400/PH405	0.7 m/3 m	Pan-tilt cable: 0.7 m, Control cable: 3 m
Pan-tilt cable	AW-CA15H29	AK-HC1500	AW-PH400/PH405	0.7 m	
Lens cable for Fujinon ENG lens	AW-CA4FLZ	Fujinon ENG (RD) lens	AW-PH400/PH405	0.8 m	for AK-HC1500/AW-E860
Lens cable for Canon digital lens	AW-CA4DLZ	Canon ENG digital lens	AW-PH400/PH405	0.8 m	for AK-HC1500/AW-E860
Lens cable for Canon analog lens	AW-CA4ALZ	Canon ENG analog lens	AW-PH400/PH405	0.8 m	for AK-HC1500/AW-E860
Pan-tilt control extension cable	AW-CA24T24	AW-PH650	AW-RP655/RP555/RP400	20 m	

## Other Peripherals

### Protocol Converter

#### Protocol Converter AW-IF400



(Rear view)

- High performance pan-tilt head (AW-PH400) can be controlled by controllers (AW-RP555, AW-RP655) by using this protocol converter (AW-IF400). (Max.control distance: 1 500 m (4 920 ft.))
- Outdoor pan-tilt head (AW-PH650) can be controlled by a high performance controller (AW-RP400) by using this protocol converter (AW-IF400). (Max.control distance: 1 500 m (4 920 ft.))
- By using protocol converter AW-IF400, control distance between AW-PH400 & AW-RP400 can be extended up to 1 000 m (3 280 ft.).
- Power Supply AW-PS505A is required.

Power supply	DC12 V
Power consumption	Approx. 1.5 W
Dimensions(W x H x D)	145 mm x 30 mm x 85 mm (5-11/16 " x 1-3/16 " x 3-3/8 ")
Weight	Approx. 0.4 kg (0.88 lbs)

#### Public Telephone Line Connecting Adapter/ RS232C Distribution Adapter

#### AW-DU600

Enables remote control of camera and pan-tilt head



- Power Supply AW-PS505A is required.
- Using a public telephone line enables remote control of camera and pan-tilt head through the AW-RP555/ RP655 series models and a PC.
- Up to five sets of camera and pan-tilt heads can be controlled with the distribution function.
- Directly controllable pan-tilt and zoom/focus.

\* The product is not available in some areas.  
\*\* A modem is required.

#### Power Supply

#### AW-PS505A

The unit can supply power to Convertible cameras, Live switchers, the AW-RP655, AW-RP555, AW-DU600 and other units.



Power supply	AC120 V/AC220 V to 240 V*
Power consumption	Approx.76 W
Dimensions (W x H x D)	132 mm x 51 mm x 275 mm (5-3/16 " x 2 " x 10-13/16 ")
Weight	Approx. 1.6 kg (3.5 lbs)
Accessories	DC cable with 4-pin Canon connector (for AW-RP400.etc.): Approx. 2 m (6.5 ft.) DC cable with ø5.5 plug (for AW-RC400.etc.): Approx. 3 m (9.8 ft.) DC cable with ø6.5 plug (for convertible cameras): Approx. 3 m (9.8 ft.)

\* The value vary depending on the region.

#### 4" B/W Viewfinder

#### AW-VF64



\* Aspect ratio: 4:3 only

Power supply	DC12 V (supplied from camera head)
Power consumption	Approx. 9 W
Dimensions (W x H x D)	128 mm x 158 mm x 330 mm (5-1/16 " x 6-1/4 " x 12-15/16 ")
Weight	Approx. 1.6 kg (3.5 lbs)
Accessories	Mounting base x 1, Mounting screw x 2

# Indoor Event Shooting

**Quiet, accurate and high speed pan-tilt motion for event shooting**

### Key points

- Compact size camera and pan-tilt head
- Quiet, accurate and high speed pan-tilt head
- Pre-set memory function
- Multi-function control
- Maximum control distance: 1 000 m (3 280 ft.)

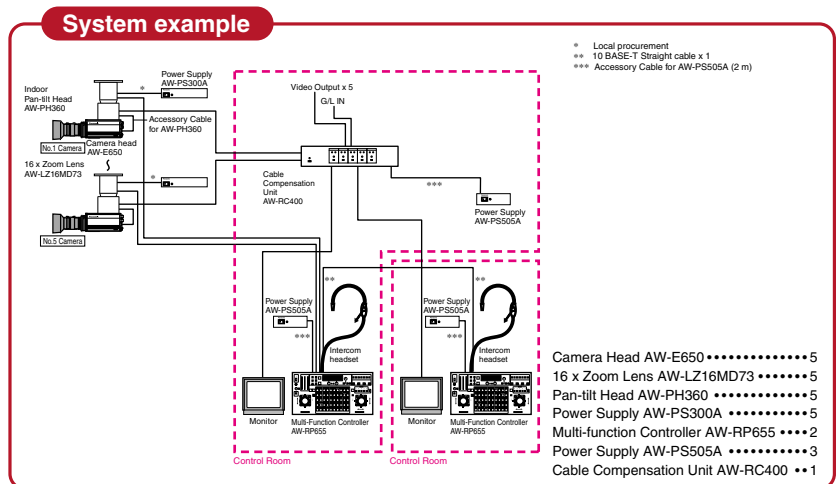
## Parliament/Hall

Many cameras and quiet pan/tilt-heads can be controlled from several control rooms.



Convertible cameras (AW-E750/E655/E650) can shoot in dark settings such as parliament, halls or theaters thanks to high sensitivity (Minimum illumination: 0.005 lx).

By using the Multi-function Controller AW-RP655 and five cameras, a total of 250 pre-set memories (50 presets per camera) can memorize 250 seats in a conference hall.



## Address/Sports Relay

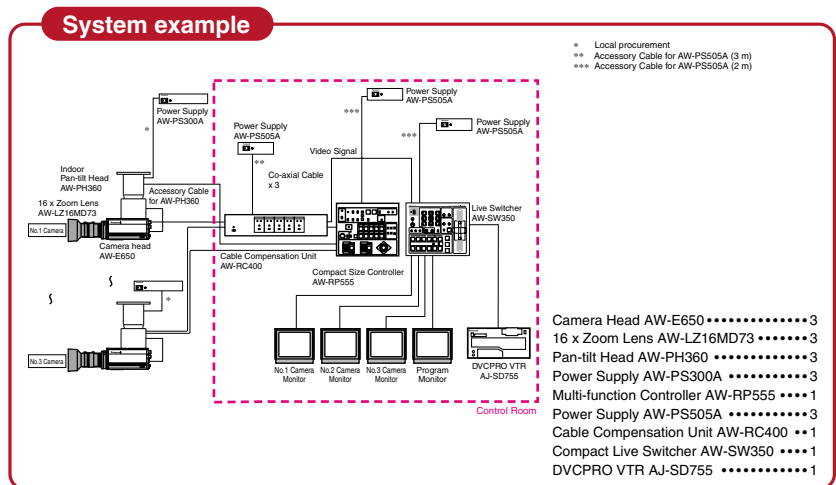
Compact size camera and pan-tilt head can be controlled in small event shooting spaces.



Quiet indoor pan-tilt system with no disturbing noise. The pan-tilt head and camera are compact, as well as extremely quiet.

The videographer does not need to move around the hall, and is able to shoot without disturbing the scene.

Ideal for wedding or religious ceremonies where the atmosphere and mood are very important.





# Remote Studios

**Content production at small, cost effective studios**

## Key points

- Many cameras can be used in a small studio.
- SDI video system by SDI card (AW-PB504)
- One operator can control many cameras and pan-tilt heads.
- Quiet pan-tilt motion for shooting in a quiet studio

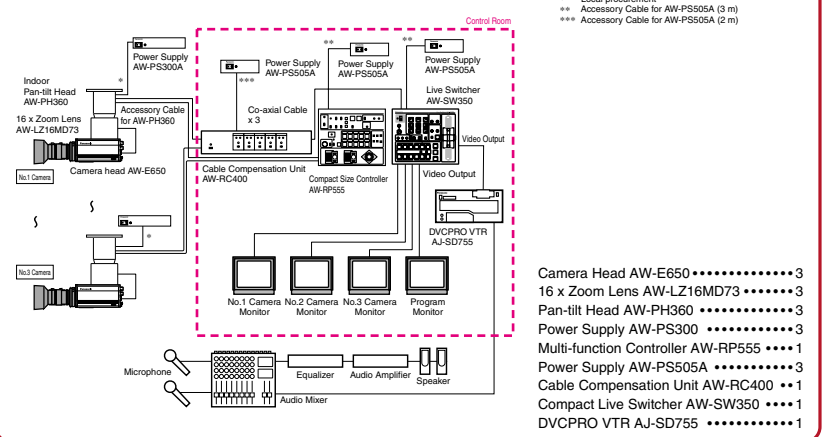
## Remote Studio

**A single camera operator can control three cameras in a quiet studio.**



One control panel controls three cameras and pan-tilt heads in the studio. By using compact pan-tilt heads, many cameras can be controlled in a small studio. Using the compact live AW-SW350 switcher also enables an operator to produce independently creative images with wipes and other special effects.

### System example



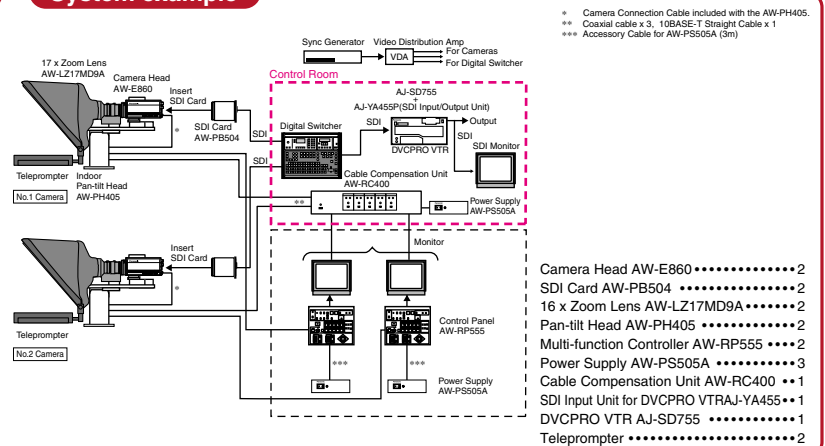
## CATV Studio

**High quality image SDI recording system for minimizing deterioration of video images.**



When equipped with the AW-PB504 SDI card, Panasonic convertible cameras can be easily integrated into a SDI broadcast system to record high quality video with little degradation. Panasonic cameras are an ideal choice for professional studio use.

### System example



# Production systems

Studio systems can be configured using optional studio cards.

### Key points

- 3CCD (2/3", 1/2" or 1/3") high quality camera  
Resolution: 850 lines, S/N 67 dB (NTSC)/  
65 dB (PAL)(DNR ON)  
: 860 lines, S/N 65 dB (NTSC)/  
63 dB (PAL)(DNR ON)
- Two types of studio card: Analog (Composite, Component) output card/SDI output card
- Intercom, viewfinder, lens control kit and RCU (remote control kit) can be used for studio system.

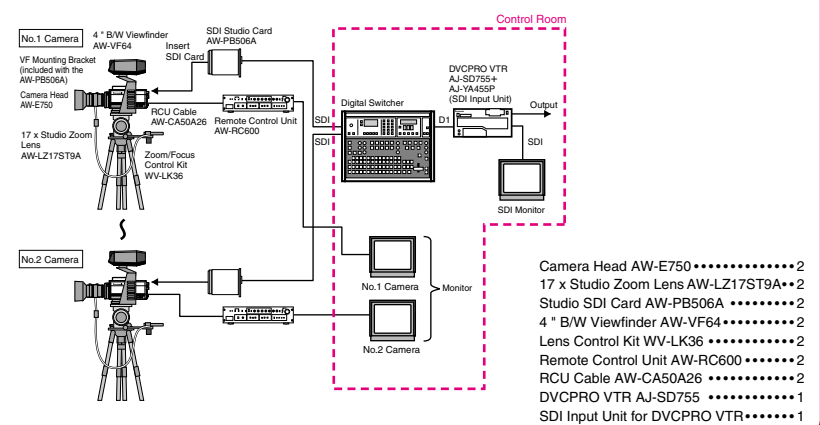
## Production Studio

A convertible camera can be used as a production studio camera by inserting an SDI studio card.



The 2/3" high quality camera AW-E860 or AW-E750 with the SDI studio card AW-PB506A (with two SDI outputs) can be used as high quality studio cameras in production houses or community stations.

### System example



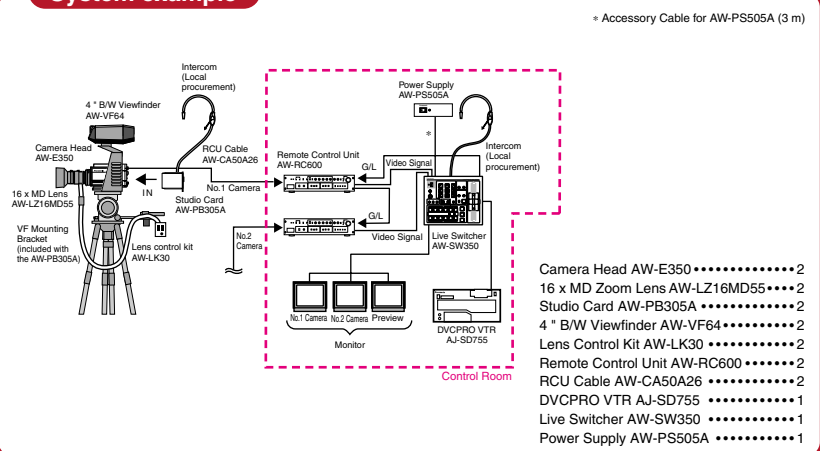
## College Studio

A simple, cost effective studio system can be configured by inserting a studio card.



A compact, easy to operate, low-cost system can be set up by inserting a Studio card into the camera, which is ideal for small size studios in schools, companies, etc.

### System example



# Multi-purpose systems

High quality images indoors and out make them ideal for everything from live sports coverage to use as ceiling cameras.

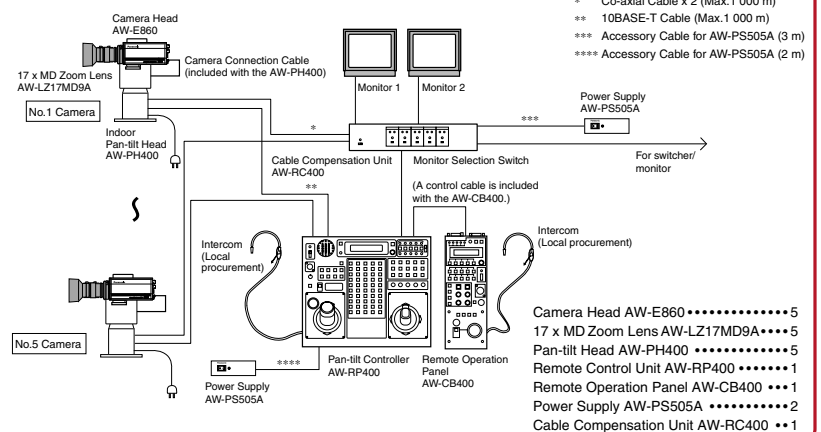
## High speed pan-tilt system

High speed and accurate camera operation can be achieved.



By using the high speed (90°/s) pan-tilt head AW-PH400 and high quality controller AW-RP400, high-level camera operation for sports relays or music video production can be achieved.

### System example



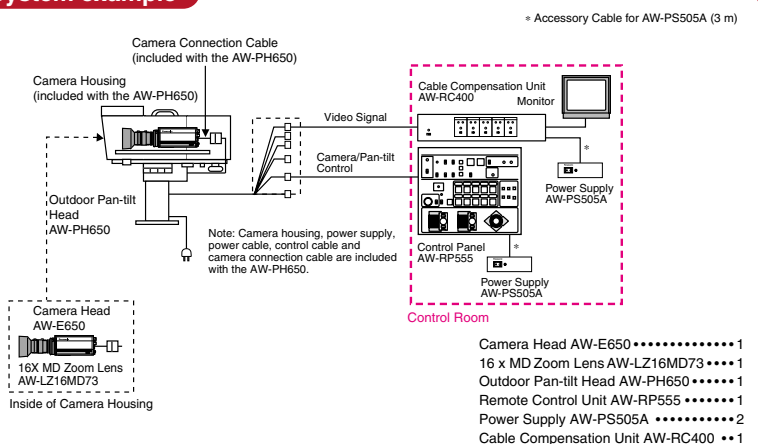
## Weather/traffic information camera

High quality images can be supplied in any weather conditions.



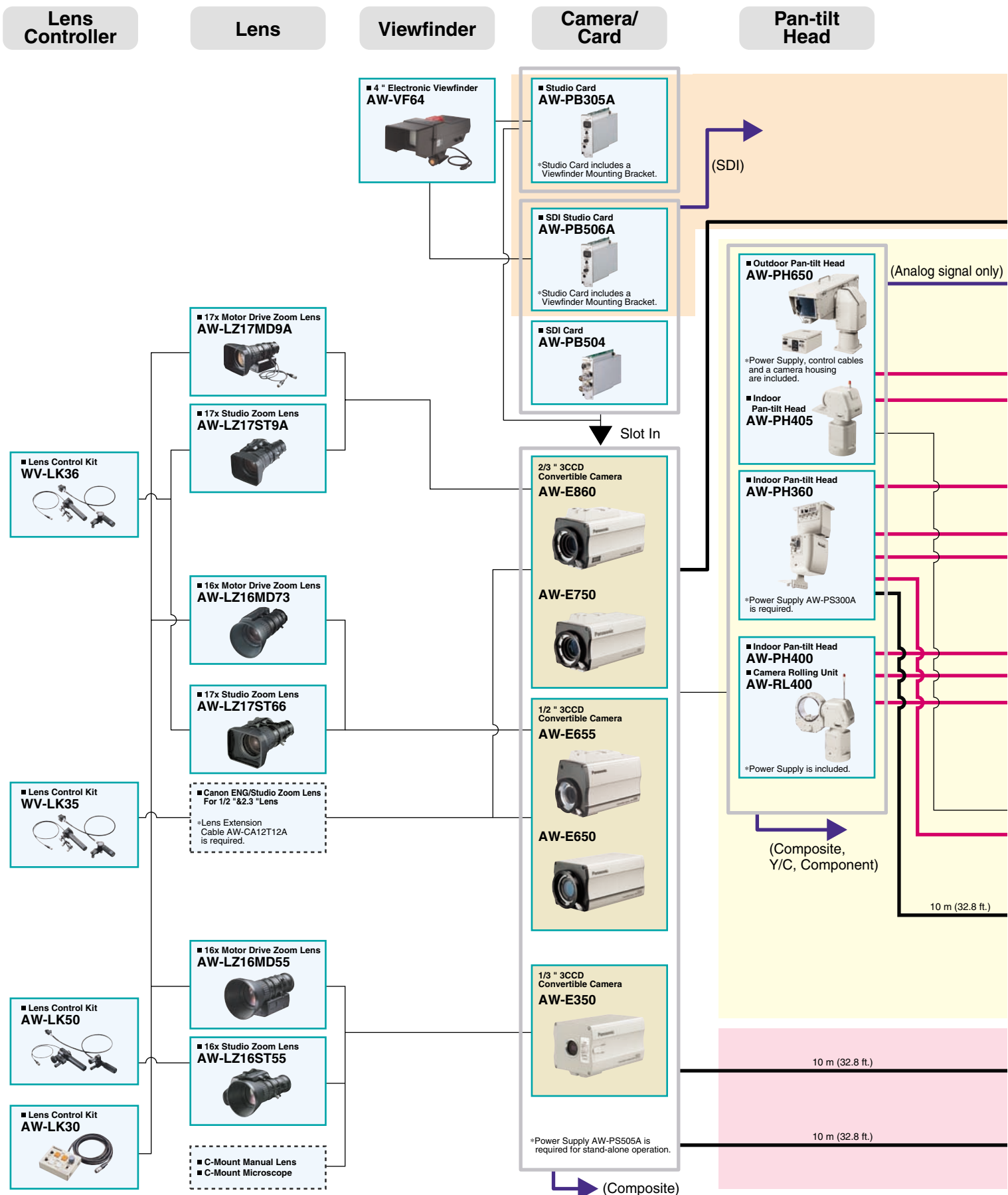
Weather/traffic camera system with a waterproof, outdoor pan-tilt head. The camera can be operated by remote control via a PC connection to enable projection of faraway situations on the monitor.

### System example



# Product configuration diagram

## Shooting section



# Control section

## Control Unit

## Live Switcher

### Studio System

- RCU Cable  
**AW-CA50A26** (15 m (49 ft.))
- RCU Cable Joint Adapter  
**WV-CA26T26**
- Studio Extension Cable  
**WV-CA26U15** (15 m (49 ft.))  
**WV-CA26U30** (30 m (98 ft.))  
**WV-CA26U100** (100 m (328 ft.))

■ Remote Control Unit  
**AW-RC600**



(Composite, Y/C)  
(Composite, Y/C, Component)

■ Live Switcher  
**AW-SW350**



\*Power Supply AW-PS505A is required.

### Pan-tilt Control System

- Video Cable  
**Coaxial Cable** (Max. 500 m (1 640 ft.))\*\*


■ Cable Compensation Unit  
**AW-RC400**



\*Power Supply AW-PS505A is required.


(Composite, Y/C, Component)

■ Compact Size Control Panel  
**AW-RP555**



\*Power Supply AW-PS505A is required.

■ Multi-Function Control Panel  
**AW-RP655**



\*Power Supply AW-PS505A is required.

■ Pan-tilt Control Panel  
**AW-RP400**



\*Power Supply AW-PS505A is required.

■ Remote Operation Panel  
**AW-CB400**



\*Power Supply AW-PS505A is required for connecting cameras directly.

### Other Peripherals

■ Power Supply  
**AW-PS505A**

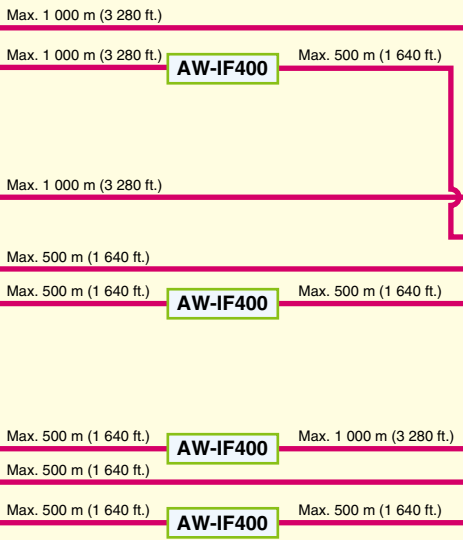


\*Power cables are included.

■ Protocol Converter  
**AW-IF400**



\*Power Supply AW-PS505A is required.



10 m (32.8 ft.)

PC Control Cable  
**AW-CA50T9**

RS232C Cable (For extension: RS-422 conversion)

RS232C Cable

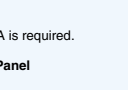
### (Direct Control)

■ Dial-up Adapter (Public Telephone Line Connecting Box/RS232C Distribution Box)  
**AW-DU600**



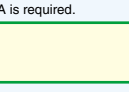
\*Power Supply AW-PS505A is required.

■ Compact Size Control Panel  
**AW-RP555**



\*Power Supply AW-PS505A is required.

■ Multi-Function Control Panel  
**AW-RP655**



\*Power Supply AW-PS505A is required.


Modem  
\*Use a factory-approved modem.

(Telephone Line)

Modem  
\*Use a factory-approved modem.

### Dial-up Adapter Control

■ Dial-up Adapter (Public Telephone Line Connecting Box/RS232C Distribution Box)  
**AW-DU600**



\*Power Supply AW-PS505A is required.

- RS-232C Control Cable  
**AW-CA28T9**

- RS-232C Camera Control Cable  
**AW-CA50T9** (D-Sub 9pin 10 m (32.8 ft.))

■ Personal Computer



### Camera Control System

- Camera Control Cable  
**AW-CA50T8** (10 m (32.8 ft.))

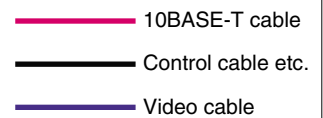
10BASE-T Cable (Max. 1 000 m (3 280 ft.))

■ Remote Operation Panel  
**AW-CB400**



\*Power Supply AW-PS505A is required for connecting cameras directly.

(Composite, Y/C, Component)



\*\* By turning on the compensation switch of pan-tilt head, it can be extended up to 1 000 m (3 280 ft.) \*\*\* The control cable is included in the AW-CB400.

## HD camera system

Panasonic also makes it easy to switch from conventional

As the demand for HD production systems continues to grow, Panasonic is there to support you. Panasonic's HD models offer the flexibility for use with conventional SD systems, while making you more familiar with the HD production environment.



### 2/3-inch Bayonet Mount

#### Multi-purpose HD Box Camera **AK-HC1500**



#### Global multi-format HD/SD compatibility in a compact unit designed for a wide range of applications.

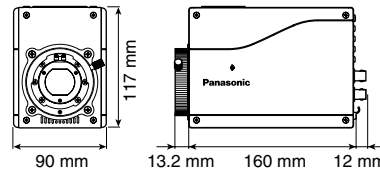
The camera is compatible with multiple formats at worldwide. What's more, original Panasonic devices such as the 14-bit A/D converter, newly developed DSP and 2/3-inch IT-3CCD assure exceptional image quality and reliability. As well as being ideal for a wide range of applications, this high cost performance HD camera helps assure an easy transition from an SD system to an HD system.

\* This camera can be mounted with Fujinon HD 2/3" bayonet mount lenses or Canon HD 2/3" bayonet mount lenses.

### 2/3-inch Lens

#### **AK-LZ20M85**

- 20x Zoom Lens
- Focal length: 8.5 mm-170 mm (F1.8-2.7)



For more details please consult a separate brochure.

#### Multi-format Live Switcher **AV-HS400**



#### HD/SD format compatible, compact live switcher with a built-in multiviewer display function.

Multi-format HD/SD compatibility lets you meet changing needs as production switches to HD worldwide. It also helps assure a trouble-free transition from conventional SD operation to HD operation. Better still, it comes standardly equipped with a wide range of effect functions and a multiviewer display function allowing you to output up to 10 images on to a single monitor. It flexibly responds to a variety of environments from live operation to full-scale studio production.

### Option Boards

#### SDI INPUTS

#### **AV-HS04M1**

- INPUTS: HD/SD-SDI x2 (BNC)(Built-in Up-converter)

#### ANALOG INPUTS

#### **AV-HS04M2**

- INPUTS: HD/SD Analog Component x2 (Y/Pb/Pr)(Built-in Up-converter)

#### DVI INPUTS

#### **AV-HS04M3**

- INPUTS: DVI-I x2(Built-in Scaler)

#### ANALOG OUTPUTS

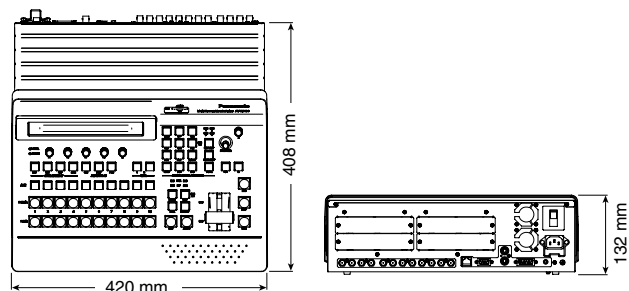
#### **AV-HS04M4**

- OUTPUTS: Analog Component x2 (Y/Pb/Pr)

#### DVI/ANALOG OUTPUTS

#### **AV-HS04M5**

- OUTPUTS: DVI-I x1, Analog x1



For more details please consult a separate brochure.

# SD systems to an HD production environment.

*News remote studio camera*



*Sports relays*



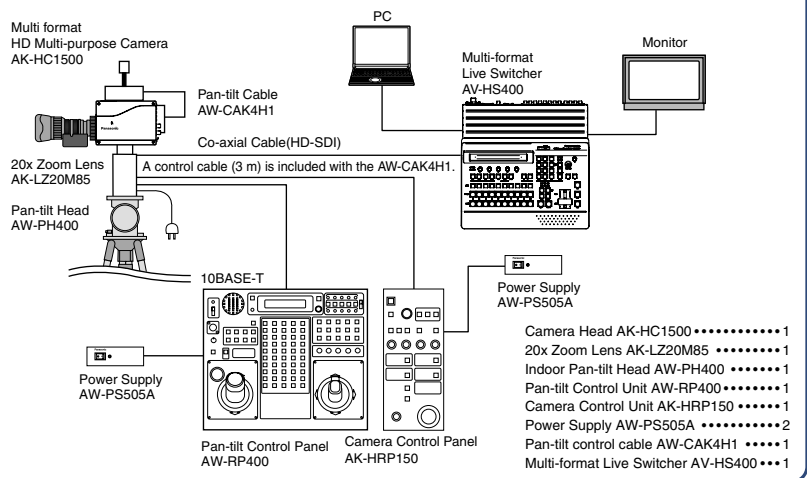
## System example

### HD camera ideal for live sports coverage and other broadcast applications.



Combining the AK-HC1500 HD Multi-Format Camera with the high-speed, exceptionally quiet AW-PH400 Pan-Tilt System lets you shoot and record high-definition, broadcast-quality images. And with the AV-HS400 Live Switcher, you can use transitions and versatile titling effects for results with incredible presence.

#### System example



#### AK-HC1500 specifications

CCD	2/3" 1.0-megapixel IT-3CCD
Image sensing method	GBR Image sensing method
Total number of pixels	1 370(H)x744(V)
Effective number of pixels	1 280(H)x720(V)
Optical prism	F1.4 Prism
Optical filter	(ND) 100 %, 25 %, 6.3 %, 1.6 %
Lens mount	2/3" Bayonet type
Output format	1080: 60i/59.94i/50i/30psF/29.97psF/25psF/24psF/23.98psF 720: 60p/59.94p/50p
Sensitivity	F10.0 at 2 000 lx, 3 200 K, white reflection rate 89.9 %
Minimum illumination	0.015 lx (F1.4 / 68 dB)
Gain	72 dB
S/N	54 dB
Smear	Less than -130 dB
M.T.F.	45 % (27.5 MHz, 720 p / 60 p)
Synchronize System	Internal and external synchronization (Tri-level SYNC/Black Burst)
Input	GENLOCK: BNC x 1, Interface: Mini D-sub 15pin terminal
Output	HD-SDI: BNC x 1
Input/output	Lens aperture connector, lens zoom focus connector
Storage temperature	-20 °C to 60 °C (-4 °F to 140 °F)
Operating temperature	0 °C to 40 °C (32 °F to 104 °F)
Power supply	DC12 V
Power consumption	Approx. 17 W
Dimensions(WxHxD)	Approx. 90 mm x 117 mm x 160 mm (3-9/16" x 4-5/8" x 6-5/16")
Weight	Approx. 1.5 kg (3.3 lbs)

#### AV-HS400 specifications

Video processing	Video format	SD (480/59.94i, 576/50i) HD (1080/59.94i, 1080/50i, 720/59.94p, 720/50p)
Input	Video processing	<Y:Cb:Cr>4:2:2 10 bit, <RGB>4:4:4 8 bit
	Video	<Standard>-4 inputs, <Option>A maximum of 4 inputs
	Key	Assign one out of video inputs
	DSK	Assign one out of video inputs
Output	Reference	Black burst/TRI (loop through) x1
	Video	<Standard>-4 outputs, <Option>A maximum of 4 outputs
WIPE/DVE	Reference	Loop through x1 (Genlock), or Black burst x2 (internal synchronization)
	Pattern	WIPE x12, Squeeze x11, SLIDE x8, 3D DVE x12(3 directions)
Transition	Transition method	FADER, AUTO
	Transition type	Cut, mix, wipe (including DVE), background and key can be selected.
KEYER	Key source	BUS
	Key fill	BUS, MATTE
	Key mode	Linear key, Lum key, Chroma key (key only)
PIP	Transition method	AUTO (PIP only)
	Transition type	MIX
Interface	Serial (EDITOR)	Dsub9pin x1:RS-422 (GVG protocol compatible)
	Tally output	Dsub15pin x1, open collector output
	GPI	ø 3.5 Stereo mini jack
	LAN	10 Mbps x1 (Service purpose)
Removable media	SD memory card slot	1 (for transferring still image files and providing an upgrade capability)
Operating temperature / Humidity		0 °C to +40 °C (32 °F to 104 °F) / 10 % to 90 % (no condensation)
Power / Power consumption		AC 120 V / Approx. 98 W
Dimensions(W x H x D)		420 mm (16-1/2") x 132 mm (5-3/16") x 408 mm (16-1/8") (excluding protrusions)
Weight		Approx. 6.4 Kg (14.1 lbs); without options Approx. 7.2 Kg (15.9 lbs); with options

\* Features and specifications in this document are subject to change without notice due to continual improvements.

■ Camera specifications (NTSC<PAL>)

	AW-E860	AW-E750	AW-E655	AW-E650	AW-E350
Image elements	2/3" IT-3CCD		1/2" IT-3CCD		1/3" IT-3CCD
Pixels	Total elements	Approx.510 000 <595 728>			
	Effective elements	Approx.460 000 <538 200>			
Imaging area (H x V)	9.6 mm x 5.4 mm (2/3" 16:9) (16:9/4:3 switchable)	8.8 mm x 6.6 mm (equivalent to 2/3")	6.4 mm x 4.8 mm (equivalent to 1/2")		4.8 mm x 3.6 mm (equivalent to 1/3")
Scanning system	2:1 interlaced NTSC system <2:1 interlaced PAL system>				
Scanning frequency	Horizontal=15.734 kHz,Vertical=59.94 Hz <Horizontal=15.625 kHz, Vertical=50 Hz>				
Lens mount	2/3" Bayonet Mount		1/2" Bayonet Mount		1/3" C Mount *
Optical filter	None		1/16ND,1/64ND,Normal, IR Through	None	
Synchronize system	Internal/external synchronization				
Standard illumination	2 000 lx, F11	2 000 lx, F14			2 000 lx, F9.5
Minimum illumination	0.4 lx (F1.7, Night Eye H)	0.005 lx (F1.4) 0.00005 lx (F1.4) (2-sec. CCD accumulation)			0.015 lx (F1.4) 0.00015 lx (F1.4) **
Signal-to-noise ratio	65 dB (DNR on) <63 dB (DNR on)>		67 dB (DNR on) <65 dB (DNR on)>		66 dB (DNR on) <63 dB (DNR on)>
Horizontal resolution	850 lines (high-band DTL ON, centre area)				
Registration	0.05 % (entire screen, excluding effects of lens)				
Image enhancer	Horizontal/vertical				
White balance	AWC A,AWC B(R/B gain,painting),AT W,3 200 K,5 600 K preset				
Black balance	Auto (R/B pedestal, painting function)				
Color bar	SMPTE color bar (setup 0/7.5IRE) <full>				
Shutter speed	OFF,1/100 <1/120>,1/250,1/500,1/1 000,1/2 000,1/4 000,1/10 000 Synchro-scan ELC				
Gain	Manual: max. 42 dB (0 to 30 dB in steps, Night Eye H/L) Auto: max. 42 dB (AGC 0 to 30 dB, Night Eye/H)	Manual: max. 72 dB (0 to 30 dB in steps, Night Eye/H, Digital Gain 0 to 30 dB in 6 dB steps) Auto: max. 42 dB (AGC 0 to 30 dB, Night Eye/H)			
Iris	Auto (Manual by RCU control)				
Video output	<Composite> 1.0 Vp-p/75 Ω (BNC,D-sub 50p), <Y/C> Y: 1.0 V p-p/75 Ω ; C: 0.286 Vp-p<0.3 Vp-p>/75 Ω (burst)(D-sub 50p), <Y/Pr/Pb> Y: 1.0 Vp-p/75 Ω ; Pr,Pb: 0.7 Vp-p<0.525 Vp-p>/75 Ω (D-sub 50p), <RGB> G: 1.0 Vp-p/75 Ω ; RB: 0.7 Vp-p/75 Ω (D-sub 50p)				
Power supply	DC 12 V				
Power consumption	Approx. 15.4 W	Approx. 12.6 W	Approx. 12 W	Approx. 11.8 W	Approx. 11.3 W
Operating temperature	-10 °C to 45 °C (14 °F to 113 °F)				
Weight	Approx. 1.15 kg (2.5 lbs)	Approx. 1.1 kg (2.4 lbs)	Approx. 1.2 kg (2.6 lbs)	Approx. 0.92 kg (2.02 lbs)	Approx. 0.8 kg (1.8 lbs)
Dimensions (W x H x D)	84 mm x 95 mm x 192 mm (3-5/16" x 3-3/4" x 7-9/16")	84 mm x 95 mm x 192 mm (3-5/16" x 3-3/4" x 7-9/16")	84 mm x 114 mm x 182 mm (3-5/16" x 4-1/2" x 7-3/16")	84 mm x 77 mm x 177 mm (3-5/16" x 3-1/32" x 7")	84 mm x 77 mm x 156 mm (3-5/16" x 3-1/32" x 6-1/8")

\* The lens should be within 4.3 mm from the lens mount face. Otherwise, there is a risk of damaging the camera unit.

\*\* 2-sec.CCD charge accumulation.

■ Pan-tilt head specifications

	Indoor pan-tilt head			Outdoor pan-tilt head
	AW-PH400	AW-PH405	AW-PH360	AW-PH650
Pan-tilt range/speed	Pan: 400 °(90 °/s), Tilt: 300 °(90 °/s)	Pan: 300 °(45 °/s), Tilt: 300 °(45 °/s)	Pan: 300 °(30 °/s), Tilt: 190 °(25 °/s)	Pan: 320 °(20 °/s), Tilt: 145 °(20 °/s)
Repeatability	±30 seconds (0.008 °)	±3 minutes (0.05 °)	±3 minutes (0.05 °)	Less than ±5 °
Noise level	Under NC30 (at 30 °/s)	Under NC35 (at 30 °/s)	Under NC30	Less than NC40
Maximum load	8 kg (17.6 lbs)	15 kg (33.1 lbs)	4 kg (8.8 lbs)	10 kg (22 lbs)
Maximum control distance	1.5 km(AW-RP655/RP555 with AW-IF400), 1 km(AW-RP400 with AW-IF400), 500 m(AW-RP400)	1.5 km(AW-RP400 with AW-IF400), 1 km(AW-RP655/RP555)	1 km(AW-RP655/RP555), 500 m(AW-RP400), 1km(AW-RP400 with AW-IF400)	1.5 km(AW-RP400 with AW-IF400), 1 km(AW-RP655/RP555)
Power supply	AC120 V/AC220 V to 240 V *	AC120 V/AC220 V to 240 V *	DC12 V	AC120 V/AC220 V to 240 V * (Power supply)
Power consumption	Approx. 145 W	Approx. 120 W	1.3 A(pan-tilt head only)	Approx. 120 W
Operating temperature	0 °C to 45 °C (32 °F to 113 °F)	-5 °C to 45 °C (23 °F to 113 °F)	-10 °C to 45 °C (14 °F to 113 °F)	-20 °C to 45 °C (-4 °F to 113 °F)
Dimensions(W x H x D)	315 mm x 534 mm x 188 mm (12-3/8" x 21" x 7-3/8")	319 mm x 416 mm x 168 mm (12-9/16" x 16-3/8" x 6-5/8")	130 mm x 244 mm x 192 mm (5-1/8" x 9-5/8" x 7-9/16")	Head: 237 mm x 511 mm x 213 mm (9-5/16" x 20-1/8" x 8-3/8")
Weight	10.2 kg (22.5 lbs)	10.0 kg (20.0 lbs)	3.5 kg (7.7 lbs)	Head: 19 kg (41.9 lbs)

\* The values vary depending on the region.

\* Features and specifications are subject to change without notice due to continual improvements.

\* Weight and dimensions shown are approximate.

# Panasonic

Matsushita Electric Industrial Co., Ltd.  
Panasonic System Solutions Company  
Corporate Broadcast and Multimedia Business Unit

4-3-1 Tsunashima-Higashi,  
Kohoku-ku, Yokohama City 223-8639, Japan

<http://panasonic.biz/broad/>

[Countries and Regions]

Argentina	+54 1 308 1610	Kuwait	+965 481 2123	Sweden	+46 (8) 680 26 41
Australia	+61 2 9986 7400	Lebanon	+961 1 216827	Switzerland	+41 (0)41 259 96 32
Austria	+43 (0)1 610 80 773	Malaysia	+60 3 5549 5422	Taiwan	+886 2 2725 9100
Bahrain	+973 252292	Mexico	+52 5 488 1000	Thailand	+66 2 731 8888
Belgium	+32 (0)2 481 04 57	Montenegro, Serbia	+41 (0)26 466 25 20	Turkey	+90 216 578 3700
Bulgaria	+359 2 946 0786	Netherlands	+31 73 64 02 577	U.A.E.	+971 4 282201
Brazil	+55 11 3889 4035	New Zealand	+64 9 272 0100	Ukraine	+380 44 4903437
Canada	+1 905 624 5010	Norway	+47 67 91 78 00		+380 44 4903438
China	+86 10 6515 8828	Pakistan	+92 5370320 21		[ext. 112]
(Hong Kong)	+852 2313 0888	Panama	+507 229 2955	U.K.	+44 (0) 1344 70 69 20
Czech Republic	+420 236 032 552/511	Peru	+51 145 29470	U.S.A.	+1 201 348 5300
Denmark	+45 43 20 08 57	Philippines	+63 2 633 6162		+1 800 528 8601
Egypt	+20 2 3938151	Poland	+48 (22)338 1100	Vietnam	+84 88370280
Finland, Latvia, Lithuania, Estonia	+358 (9)521 52 53	Portugal	+351 21 425 77 04		
France	+33 (0)1 49 46 43 59	Puerto Rico	+1 787 750 4300		
Germany	+49 (0)611 235 401	Romania	+40 21 211 4855		
Greece	+30 210 96 92 300	Russia & CIS	+7 495 980 42 06		
Hungary	+36 (1)382 60 60	Saudi Arabia	+966 1 465 0709		
Indonesia	+62 21 385 9449	Singapore	+65 6270 0110		
Iran	+98 21 2271463	Slovak Republic	+421 (0)2 52 92 14 23		
Italy	+39 02 67 88 449	Slovenia, Croatia, Bosnia, Macedonia	+44 (0)20 76 63 36 57		
Jordan	+961 6 586 1914	South Africa	+27 11 313 1400		
Kazakhstan	+7 3272 980 891	Spain	+34 (93) 425 93 00		
Korea	+82 2 2106 6666				