



# Illustrated Parts List

## Model Series

# 09A400

TYPE NUMBERS  
0201 through 0522.

### TABLE OF CONTENTS

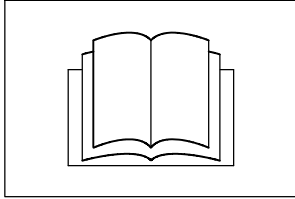
|                                   |   |
|-----------------------------------|---|
| Blower Housing/Shrouds .....      | 5 |
| Camshaft .....                    | 2 |
| Carburetor .....                  | 4 |
| Carburetor Overhaul Kit .....     | 4 |
| Controls .....                    | 3 |
| Crankcase Cover/Sump .....        | 3 |
| Crankshaft .....                  | 2 |
| Cylinder .....                    | 2 |
| Cylinder Head .....               | 2 |
| Exhaust System .....              | 3 |
| Flywheel .....                    | 5 |
| Gasket Set - Engine .....         | 3 |
| Gasket Set - Valve .....          | 3 |
| Governor Spring .....             | 3 |
| Ignition .....                    | 5 |
| Lubrication .....                 | 3 |
| Operator's Manual .....           | 2 |
| Piston/Rings/Connecting Rod ..... | 2 |
| Rewind Starter .....              | 5 |
| Warning Label .....               | 2 |



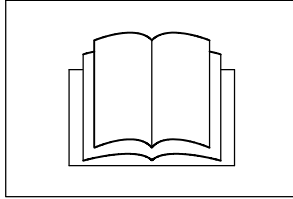
PRINTED IN U.S.A.

COPYRIGHT by BRIGGS & STRATTON CORPORATION  
All rights reserved. No part of this material may be reproduced or transmitted, in any form or by any means, electronic or mechanical, including photocopying, recording or by any information storage and retrieval system, without permission in writing from Briggs & Stratton Corporation.

1058 OPERATOR'S MANUAL



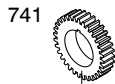
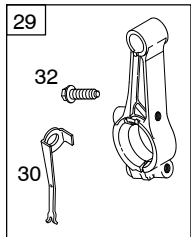
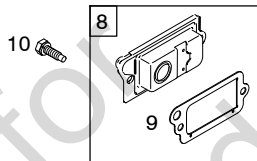
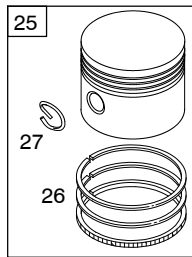
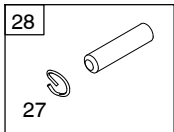
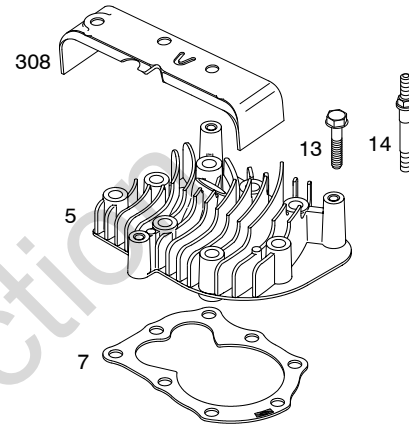
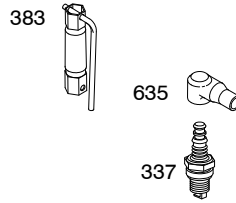
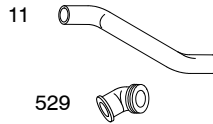
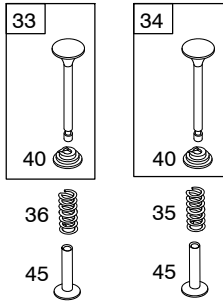
1330 REPAIR MANUAL



1319 WARNING LABEL

|                |  |
|----------------|--|
| <b>WARNING</b> |  |
|                | Read and follow Operating Instructions before running engine.                    |
|                | Gasoline is flammable. Allow engine to cool at least 2 minutes before refueling. |
|                | Engines emit carbon monoxide, DO NOT run in enclosed area.                       |
|                | Muffler area temperature may exceed 150°F. Do not touch hot parts.               |

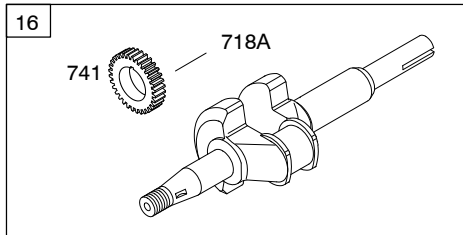
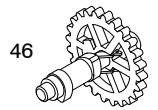
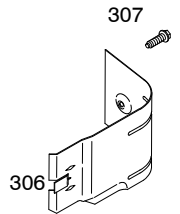
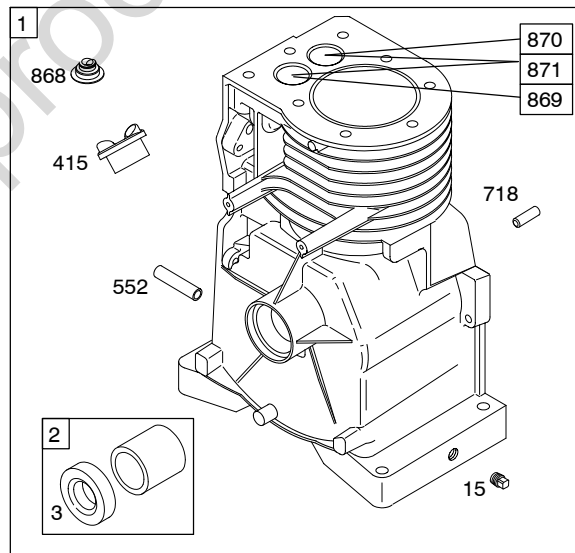
**REQUIRED** when replacing parts with warning labels affixed.



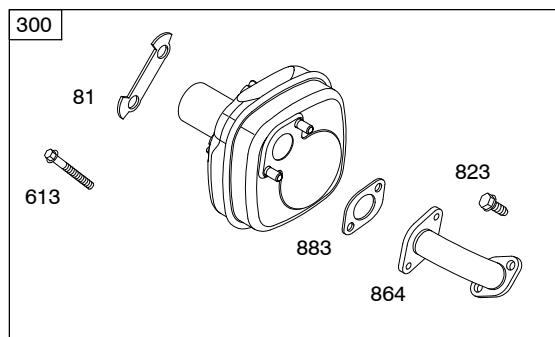
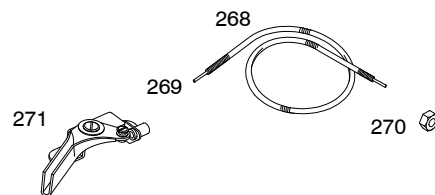
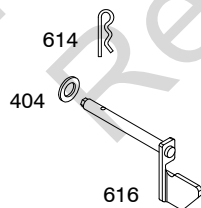
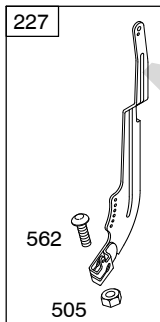
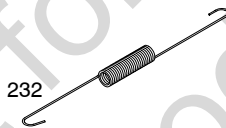
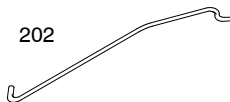
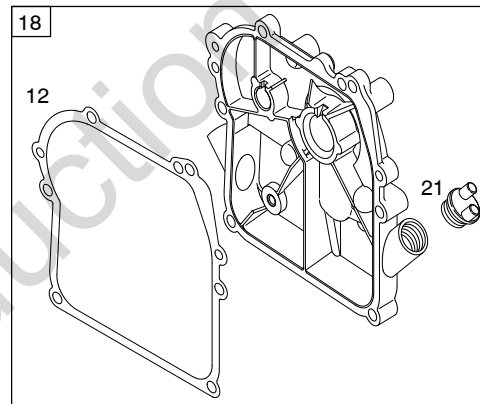
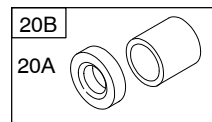
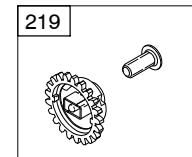
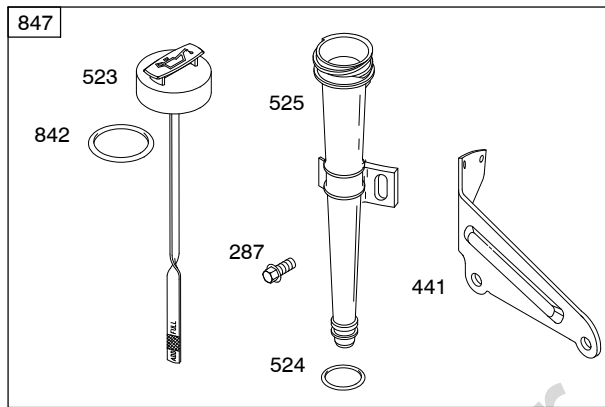
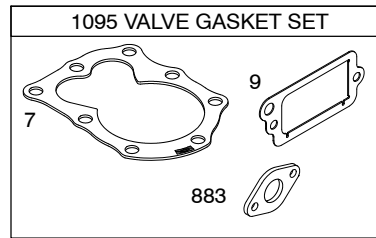
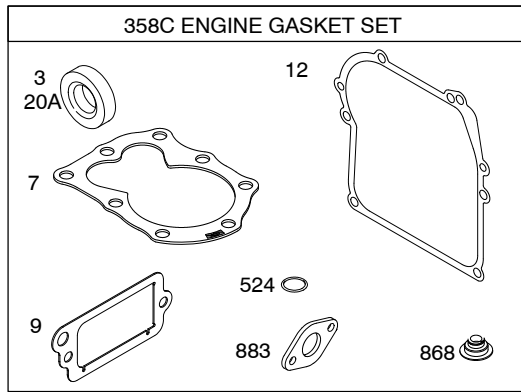
Timing Mark is an Oval



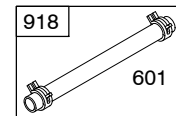
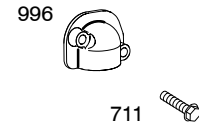
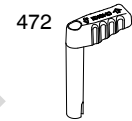
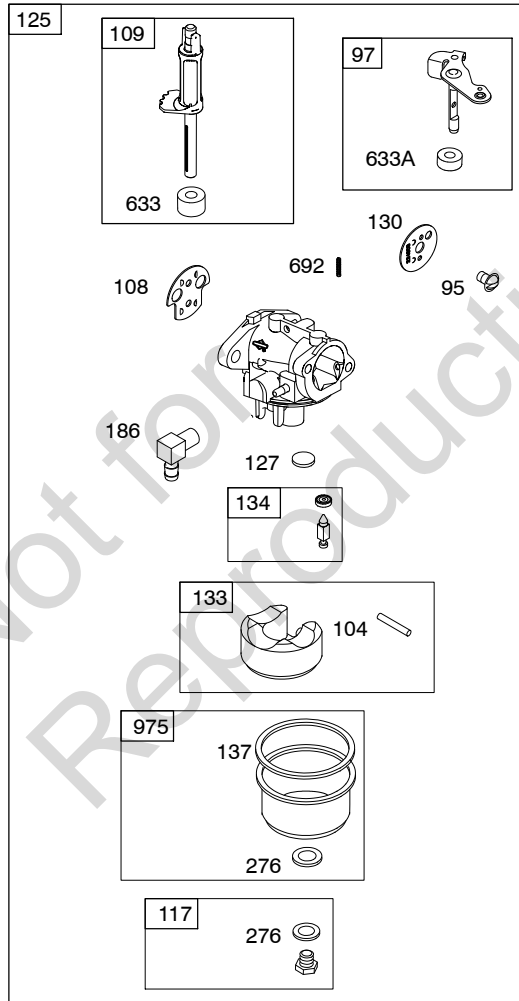
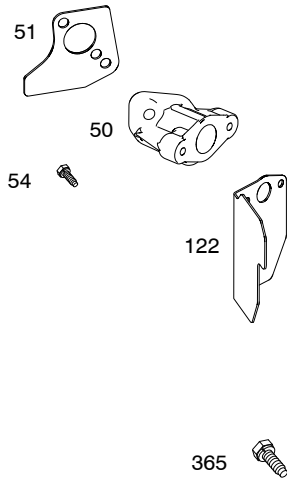
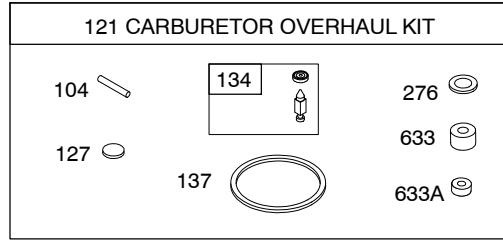
Timing Mark is a Circle

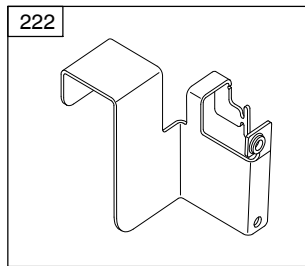
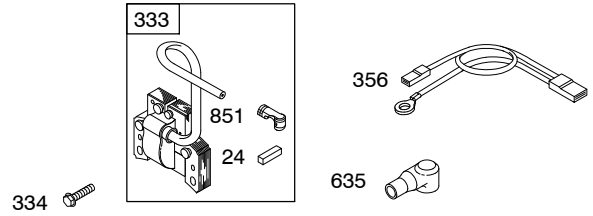
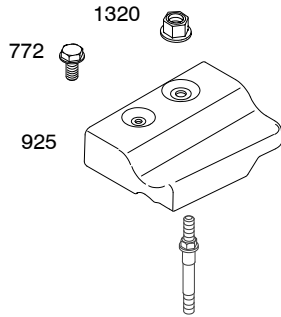


Illustrations cover a range of engines. Parts shown without corresponding text may not be used on your specific engine. Assemblies include all parts shown in frames.

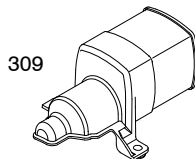
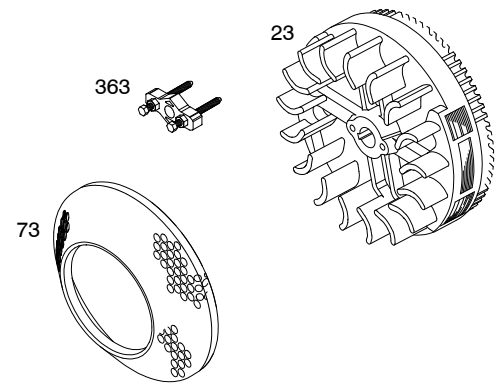
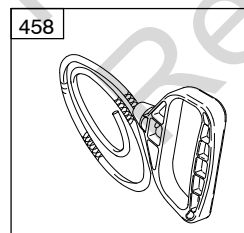
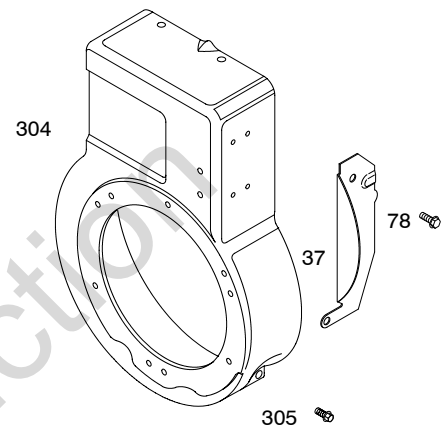
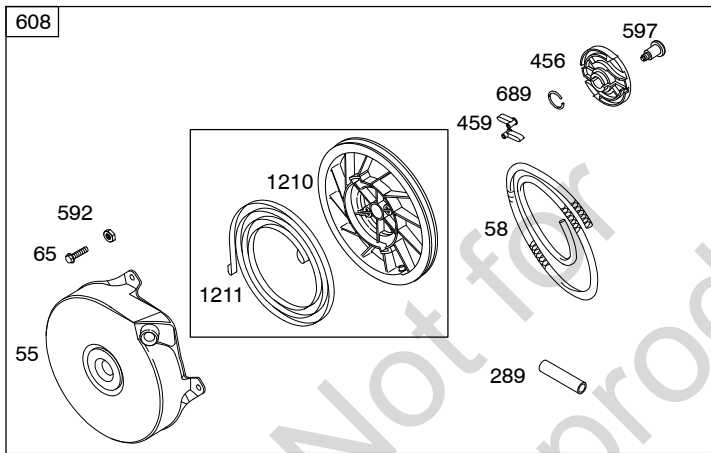


Illustrations cover a range of engines. Parts shown without corresponding text may not be used on your specific engine.  
 5652 Assemblies include all parts shown in frames. 04/08/2009





1036 EMISSIONS LABEL



Illustrations cover a range of engines. Parts shown without corresponding text may not be used on your specific engine. 5652 Assemblies include all parts shown in frames. 04/08/2009

# 09A400

| REF. NO. | PART NO. | DESCRIPTION  | REF. NO. | PART NO. | DESCRIPTION   | REF. NO. | PART NO. | DESCRIPTION  |
|----------|----------|--|----------|----------|---|----------|----------|--|
| 1        | 791356   | Cylinder Assembly<br>(Used After Code Date 07090300).<br>----- <b>Note</b> -----<br>699088 Cylinder Assembly<br>(Used Before Code Date 07090400).                  | 16       | 793156   | Crankshaft  | 26       | 795690   | Ring Set<br>(Standard)   |
| 2        | 399269   | Kit-Bushing/Seal<br>(Magneto Side)   | 18       | 699096   | Cover-Crankcase   |          |          | (Used After Code Date 08021200).<br>----- <b>Note</b> -----<br>795132 Ring Set<br>(Standard)                               |
| 3        | 299819S  | Seal-Oil<br>(Magneto Side)   | 20A      | 299819S  | Seal-Oil<br>(PTO Side)  |          |          | (Used After Code Date 07072900 and Before Code Date 08021300).<br>790909 Ring Set<br>(Standard)                            |
| 5        | 790169   | Head-Cylinder  | 20B      | 691356   | Seal-Oil<br>(PTO Side)  |          |          | (Used After Code Date 05051800 and Before Code Date 07073000).<br>695169 Ring Set<br>(Standard)                            |
| 7        | 698717   | Gasket-Cylinder Head   | 21       | 281658S  | Cap-Oil Fill  |          |          | (Used Before Code Date 05051900).<br>795688 Ring Set<br>(.020" Oversize)   |
| 8        | 791779   | Breather Assembly<br>(Used After Code Date 05102400).<br>----- <b>Note</b> -----<br>699448 Breather Assembly<br>(Used Before Code Date 05102500).                  | 22       | 691129   | Screw<br>(Crankcase Cover/Sump)<br>----- <b>Note</b> -----<br>691128 Screw<br>(Crankcase Cover/Sump)  |          |          | (Used After Code Date 08021200).<br>795134 Ring Set<br>(.020" Oversize)  |
| 9        | 695890   | Gasket-Breather  | 23       | 699573   | Flywheel<br>Used on Type No(s).<br>0201, 0202, 0203,<br>0267, 0522.   |          |          | (Used After Code Date 08021200).<br>795131 Piston Assembly<br>(Standard)   |
| 10       | 691666   | Screw<br>(Breather Assembly)   | 24       | 222698S  | Key-Flywheel  |          |          | (Used After Code Date 05051800 and Before Code Date 08021300).<br>695172 Ring Set<br>(.020" Oversize)                      |
| 11       | 691246   | Tube-Breather<br>(Used Before Code Date 03061200).   | 25       | 795691   | Piston Assembly<br>(Standard)<br>(Used After Code Date 08021200).<br>----- <b>Note</b> -----<br>795131 Piston Assembly<br>(Standard)  |          |          | (Used Before Code Date 05051900).<br>27 691588 Lock-Piston Pin   |
| 12       | 692218   | Gasket-Crankcase<br>(.015" Thick)<br>(Standard)<br>----- <b>Note</b> -----<br>270895 Gasket-Crankcase<br>(.005" Thick)<br>270896 Gasket-Crankcase<br>(.009" Thick) |          |          | 790908 Piston Assembly<br>(Standard)<br>(Used Before Code Date 07073000).<br>795689 Piston Assembly<br>(.020" Oversize)<br>(Used After Code Date 07072900).<br>792532 Piston Assembly<br>(.020" Oversize)<br>(Used After Code Date 05051800 and Before Code Date 07073000). | 28       | 699659   | Pin-Piston<br>(Standard)<br>(Used After Code Date 05051800).<br>----- <b>Note</b> -----<br>298909 Pin-Piston<br>(Standard) |
| 13       | 691640   | Screw<br>(Cylinder Head)   |          |          |   |          |          | (Used Before Code Date 05051900).<br>298908 Pin-Piston<br>(.005" Oversize)<br>(Used Before Code Date 05051900).            |
| 14       | 690361   | Stud<br>(Cylinder Head)<br>(Use in Position 8)   |          |          |   |          |          |  |
| 15       | 691686   | Plug-Oil Drain   |          |          |   |          |          |  |

Illustrations cover a range of engines. Parts shown without corresponding text may not be used on your specific engine.  
5652-6 Assemblies include all parts shown in frames. 04/08/2009

# 09A400

| REF. NO. | PART NO. | DESCRIPTION                              | REF. NO. | PART NO. | DESCRIPTION  | REF. NO. | PART NO. | DESCRIPTION   |
|----------|----------|--|----------|----------|--|----------|----------|---|
| 29       | 699655   | Rod-Connecting (Standard)                | 127      | 694468   | Plug-Welch   | 305      | 692198   | Screw (Blower Housing)  |
| 30       | 691719   | Dipper-Connecting Rod                    | 130      | 691203   | Valve-Throttle   | 306      | 690461   | Shield-Cylinder   |
| 32       | 691664   | Screw (Connecting Rod)                   | 133      | 398187   | Float-Carburetor   | 307      | 691660   | Screw (Cylinder Shield)   |
| 33       | 497871   | Valve-Exhaust                            | 134      | 398188   | Kit-Needle/Seat  | 308      | 690462   | Cover-Cylinder Head   |
| 34       | 296677   | Valve-Intake                             | 137      | 693981   | Gasket-Float Bowl  | 309      | 699098   | Motor-Starter Used on Type No(s). 0201, 0202, 0522.                     |
| 35       | 690520   | Spring-Valve (Intake)                    | 186      | 692317   | Connector-Hose   |          |          | ----- Note -----  |
| 36       | 690520   | Spring-Valve (Exhaust)                   | 188      | 691637   | Screw (Control Bracket)                                    |          |          | 699455 Motor-Starter Used on Type No(s). 0203.                          |
| 37       | 690463   | Guard-Flywheel Used on Type No(s). 0267. | 202      | 692351   | Link-Mechanical Governor                                   | 332      | 690662   | Nut (Flywheel)  |
| 40       | 692194   | Retainer-Valve                           | 209      | 691858   | Spring-Governor (Yellow)                                   | 333      | 793281   | Armature-Magneto  |
| 45       | 691762   | Tappet-Valve                             | 219      | 496786   | Gear-Governor  | 334      | 691061   | Screw (Magneto Armature)  |
| 46       | 691998   | Camshaft                                 | 220      | 691724   | Washer (Governor Gear)                                     | 337      | 802592S  | Plug-Spark Used on Type No(s). 0202E2, 0522.                            |
| 50       | 691922   | Manifold-Intake                          | 222      | 698681   | Bracket-Control  |          |          | ----- Note -----  |
| 51       | 273113S  | Gasket-Intake                            | 227      | 691412   | Lever-Governor Control                                     |          |          | 697451 Plug-Spark Used on Type No(s). 0201, 0202E1, 0202E3, 0203, 0267. |
| 54       | 691689   | Screw (Intake Manifold)                  | 232      | 691846   | Spring-Governor Link                                       | 356      | 699576   | Wire-Stop   |
| 55       | 692144   | Housing-Rewind Starter                   | 268      | 691025   | Casing-Control Wire (Cut To Required Length)               | 358C     | 794209   | Gasket Set-Engine   |
| 58       | 697316   | Rope-Starter (88 5/8" Long)              | 269      | 691026   | Wire-Control (Cut To Required Length)                      | 363      | 19069    | Puller-Flywheel   |
| 60       | 691915   | Grip-Starter Rope                        | 270      | 691027   | Nut (Control Wire Casing)                                  | 365      | 691688   | Screw (Carburetor)  |
| 65       | 690837   | Screw (Rewind Starter)                   | 271      | 691028   | Lever-Control  | 383      | 89838S   | Wrench-Spark Plug   |
| 73       | 699850   | Screen-Rotating                          | 276      | 271716   | Washer-Sealing   | 404      | 691691   | Washer (Governor Crank)   |
| 78       | 690364   | Screw (Flywheel Guard)                   | 287      | 695733   | Screw (Dipstick Tube)                                      | 415      | 693463   | Plug (Cylinder)   |
| 81       | 691729   | Lock-Muffler Screw                       | 289      | 230228S  | Pin-Starter Grip   | 441      | 690484   | Bracket-Oil Fill  |
| 95       | 691636   | Screw (Throttle Valve)                   | 300      | 699565   | Muffler  | 455      | 691236   | Cup-Flywheel Used on Type No(s). 0201, 0202, 0203, 0267, 0522.          |
| 97       | 496861   | Shaft-Throttle                           | 304      | 699093   | Housing-Blower Used on Type No(s). 0201, 0202, 0203, 0522. | 456      | 692299   | Plate-Pawl Friction   |
| 104      | 691242   | Pin-Float Hinge                          |          |          | ----- Note -----   | 458      | 699334   | Kit-Handle/Rope   |
| 108      | 695807   | Valve-Choke                              |          |          | 694144 Housing-Blower Used on Type No(s). 0267.            | 459      | 281505S  | Pawl-Ratchet  |
| 109      | 695729   | Shaft-Choke                              |          |          |  |          |          |   |
| 117      | 498978   | Jet-Main (Standard)                      |          |          |  |          |          |   |
| 121      | 498260   | Kit-Carburetor Overhaul                  |          |          |  |          |          |   |
| 122      | 699086   | Spacer-Carburetor                        |          |          |  |          |          |   |
| 125      | 699103   | Carburetor                               |          |          |  |          |          |   |

Illustrations cover a range of engines. Parts shown without corresponding text may not be used on your specific engine.  
5652-7 Assemblies include all parts shown in frames. 04/08/2009

# 09A400

| REF. NO. | PART NO. | DESCRIPTION   | REF. NO. | PART NO. | DESCRIPTION                                  | REF. NO. | PART NO. | DESCRIPTION  |
|----------|----------|---|----------|----------|--|----------|----------|--|
| 472      | 791534   | Knob-Choke Shaft<br>(Used After Code Date 05042800).                | 633A     | 691321   | Seal-Choke/Throttle Shaft<br>(Throttle)      | 870      | 691702   | Seat-Valve<br>(Exhaust)  |
|          |          | ----- Note -----  | 635      | 66538S   | Boot-Spark Plug                              | 871      | 262001   | Bushing-Valve Guide  |
|          |          | 699100 Knob-Choke Shaft<br>(Used Before Code Date 05042900).        | 689      | 691855   | Spring-Friction                              | 883      | 691880   | Gasket-Exhaust   |
| 505      | 691251   | Nut<br>(Governor Control Lever)                                     | 692      | 690572   | Spring-Detent                                | 918      | 791880   | Hose-Vacuum  |
| 523      | 791205   | Dipstick  | 711      | 699470   | Screw<br>(Carburetor Shield)                 | 925      | 699097   | Cover-Linkage  |
| 524      | 691876   | Seal-Dipstick Tube  | 718      | 690959   | Pin-Locating<br>(Cylinder)                   | 975      | 493640   | Bowl-Float   |
| 525      | 699090   | Tube-Dipstick   | 718A     | 499047   | Pin-Locating<br>(Crankshaft)                 | 976      | 394281   | Primer-Carburetor  |
| 529      | 692187   | Grommet   | 741      | 791124   | Gear-Timing<br>(Timing Mark is an Oval {O})  | 996      | 699099   | Shield-Carburetor  |
| 552      | 690508   | Bushing-Governor Crank  |          |          | (Used After Code Date 05013000).             | 1036     |          | Label-Emissions<br>(Available From A Briggs & Stratton Authorized Dealer)                      |
| 562      | 92613    | Bolt<br>(Governor Control Lever)                                    | 741A     | 691805   | Gear-Timing<br>(Timing Mark is a Circle {O}) | 1058     | 277104   | Manual-Operator's<br>----- Note -----<br>277614 Manual-Operator's<br>Used on Type No(s). 0522. |
| 592      | 690800   | Nut<br>(Rewind Starter)   |          |          | (Used Before Code Date 05013100).            | 1095     | 498526   | Gasket Set-Valve   |
| 597      | 691696   | Screw<br>(Pawl Friction Plate)                                      | 772      | 691003   | Screw<br>(Linkage Cover)                     | 1210     | 499901   | Pulley/Spring<br>Assembly<br>(Pulley)  |
| 601      | 791850   | Clamp-Hose  | 823      | 699554   | Screw<br>(Muffler Adapter)                   | 1211     | 499901   | Pulley/Spring<br>Assembly<br>(Spring)  |
| 608      | 699105   | Starter-Rewind<br>Used on Type No(s). 0201, 0202, 0203, 0267, 0522. | 842      | 691031   | Seal-O Ring<br>(Dipstick Tube)               | 1320     | 691105   | Nut<br>(Linkage Cover)   |
| 613      | 691413   | Screw<br>(Muffler)  | 847      | 791204   | Dipstick/Tube<br>Assembly                    | 1319     | 794467   | Label-Warning  |
| 614      | 691620   | Pin-Cotter  | 851      | 493880S  | Terminal-Spark Plug                          | 1330     | 270962   | Repair Manual  |
| 616      | 692016   | Crank-Governor  | 864      | 699568   | Adapter-Muffler                              |          |          |  |
| 633      | 693867   | Seal-Choke/Throttle Shaft<br>(Choke)                                | 868      | 697338   | Seal-Valve                                   |          |          |  |
|          |          |   | 869      | 691701   | Seat-Valve<br>(Intake)                       |          |          |  |

Illustrations cover a range of engines. Parts shown without corresponding text may not be used on your specific engine.



Not for  
Reproduction

Not for  
Reproduction

Not for  
Reproduction

Not for  
Reproduction

