

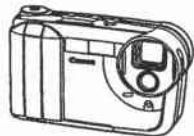
Canon

Digital Camera PowerShot™ 600

QUICK REFERENCE

Unpacking Your Camera

Make sure the following items were included in the packaging:



PowerShot 600
Digital Camera



Camera Station
CS-36



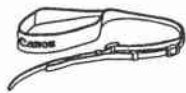
Battery Charger
CB-15N



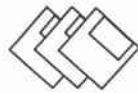
Ni-Cd Battery Pack
NB-6N



Battery Case



Neck Strap
NS-121



PowerShot
TWAIN Driver



Ulead Systems
PhotoImpact™ (Win 95)
ImagePals™ (Win 3.1)

Also included:

- Quick Reference
- Pocket Guide
- User's Manuals
- Software License Agreement
- Warranty Card
- Registration Card

System Requirements

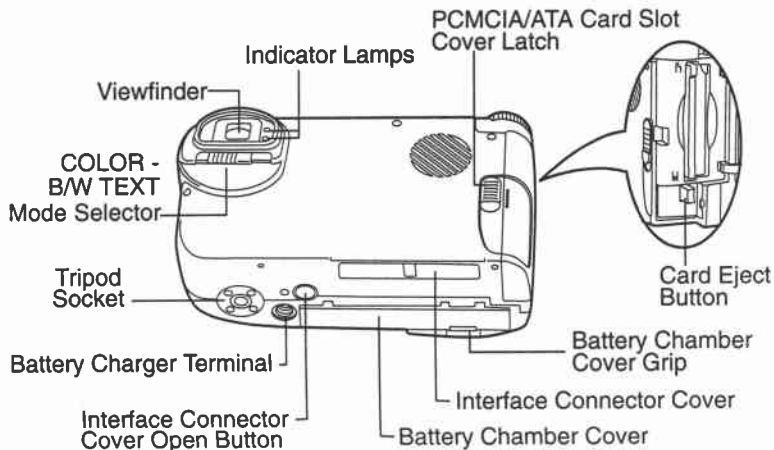
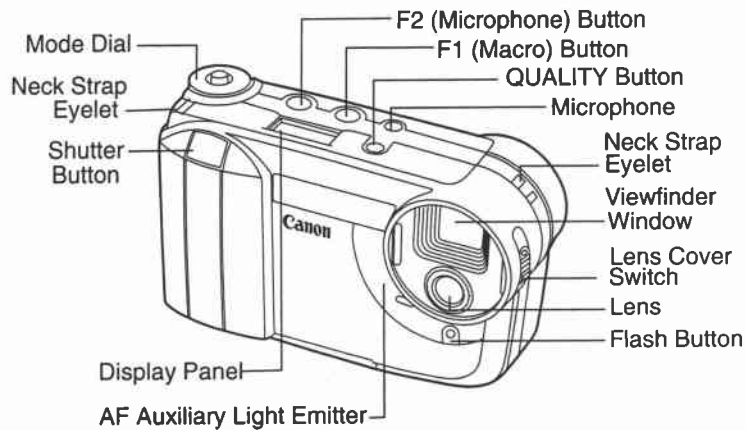
The following is the minimum configuration needed to use the PowerShot Camera with your personal computer:

- IBM® PC or 100% compatible with a 486 DX2 66MHz or higher CPU
- At least 8 MB (megabytes) of available memory and 20 MB of available hard disk space (5 MB for the PowerShot TWAIN Driver and 15 MB of temporary file space for images).
- VGA or MCGA/Super-VGA color display system, 640 x 480 resolution or higher, 256 color or higher
- Microsoft® Windows® 3.1 running in enhanced mode, or Windows® 95
- 3.5" diskette drive for installing the PowerShot TWAIN Driver
- CD-ROM drive to install the bundled graphics software
- Windows 3.1 or Windows 95 compatible sound card and speaker system (or headphones) to play sound annotations.

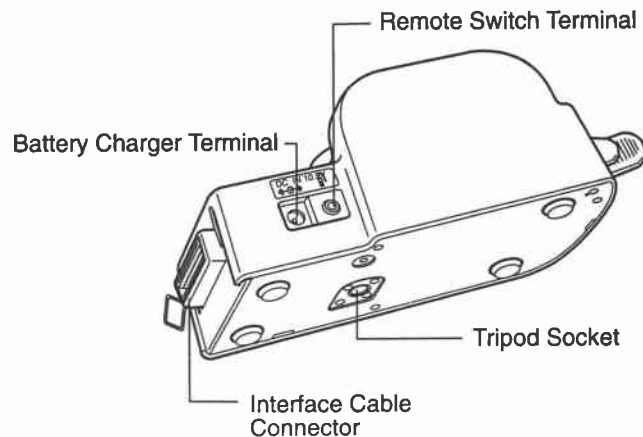
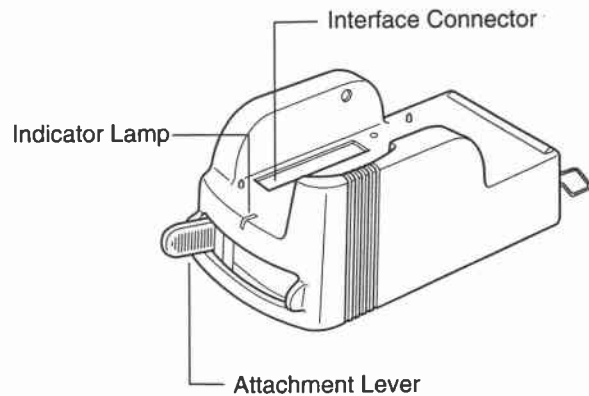
For faster processing and more realistic color presentation, the following configuration is recommended:

- Pentium® CPU, 16 MB or more of RAM
- MCGA/Super-VGA color display system, 16 million colors

Camera Overview



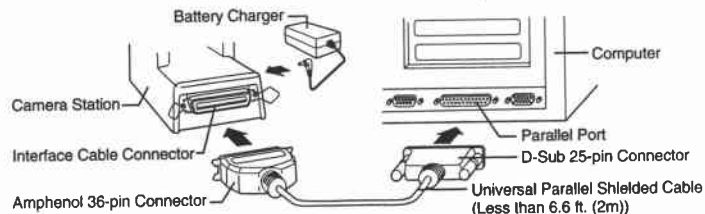
Camera Station Overview



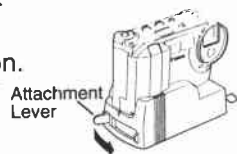
Before Taking Pictures

Connect the Camera to Your Computer

1. Turn off the computer.
2. Connect the Camera Station to the computer.



3. Make sure the Lens Cover of the camera is closed.
4. Confirm there is no camera activity before performing each of the following steps (see note below).
5. Insert the battery into the camera.
6. Place the camera in the Camera Station.
7. Push the Attachment Lever to "LOCK."
8. Plug in the Battery Charger.
9. Turn on the computer.



Important: Ensure there is no camera activity before removing the camera from the Camera Station (or inserting or removing the battery from the camera).

That is, make sure that:

1. The Display Panel on the camera does not show "----", "bBUSY" or "LOCK."
2. The camera Indicator Lamps are not on.
3. The Camera Station Indicator Lamp is not on.

If there is no camera activity, ensure the Lens Cover is closed, then turn the Attachment Lever to "RELEASE" and remove the camera.

Charge the Battery Pack

Follow steps 3 to 8 above to charge the battery before you use it for the first time. Disconnect the Battery Charger when done.

Install the PowerShot TWAIN Driver

1. Start Windows and make a backup copy of the PowerShot TWAIN Driver diskettes. Then place installation diskette number one into the appropriate drive.
2. From Windows 95, click the **Start** button, then **Run**. From Windows 3.1, choose the **File** menu, then **Run**. In the Run dialog box, type a: \setup or b: \setup.
3. Then click **OK** to start the installation.
4. Follow the instructions on the screen. Restart Windows when the installation is complete.

Set the Time and Date in your Camera

1. Connect the camera to the computer.
2. From Windows, run a TWAIN-compliant graphics application.
3. Choose the menu option to select the TWAIN source. Select **Canon PowerShot Camera**, then click on **OK**.
4. Display the PowerShot TWAIN interface by selecting the menu option that will retrieve or acquire an image.
5. From the PowerShot TWAIN Driver, click on the **camera icon**.
6. Enter the information displayed, then click **OK**.



The PowerShot TWAIN Driver

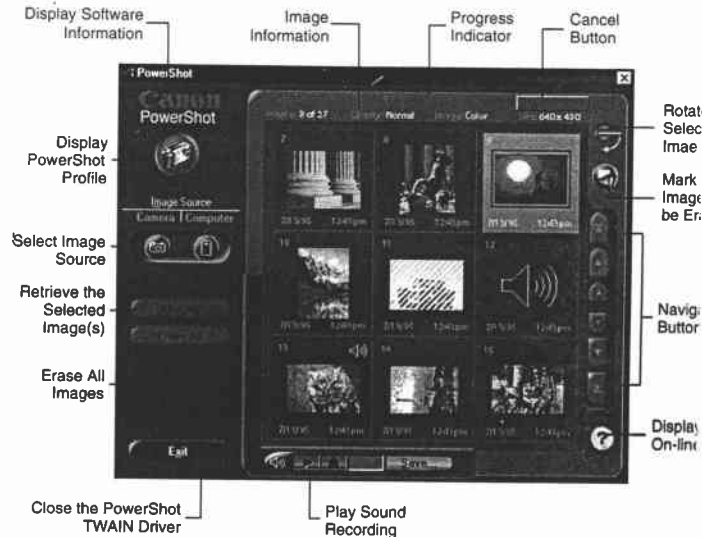
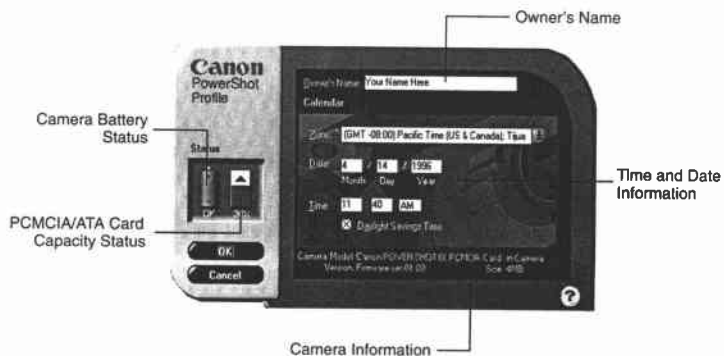
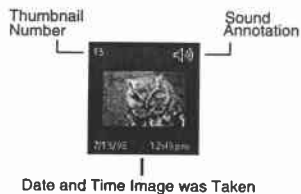


Image Gallery



Sound Recording (No Image)



Image Marked for Erasing



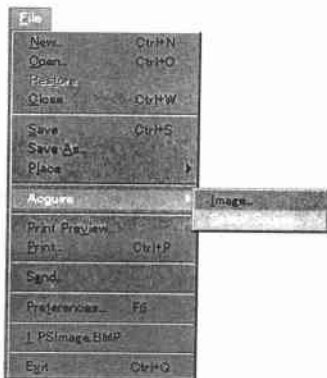
Selected and Focused Image



Selected Image: Indicated by a Light Border
 Focused Image: Indicated by a Dotted Black or Solid Blue Line

Loading Images from Camera

- 1 Close the Lens Cover.
- 2 Connect the Camera Station to your computer, then place the camera into the Camera Station.
- 3 Run a TWAIN-compliant graphics application.
- 4 Choose the File menu option in the graphics application that displays the TWAIN source selection window. For example:



- 5 Select "Canon PowerShot Camera" as the TWAIN source.
- 6 Choose the File menu option in the graphics application that acquires an image. The PowerShot TWAIN Driver will appear.

- 7 Click on "Camera" as the image source:



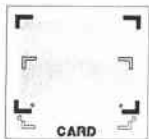
The PowerShot TWAIN Driver will display thumbnail representations of the images in your camera.



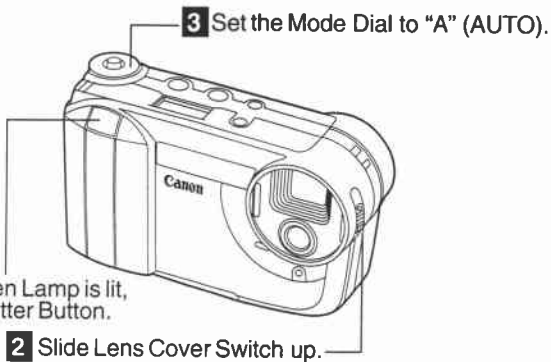
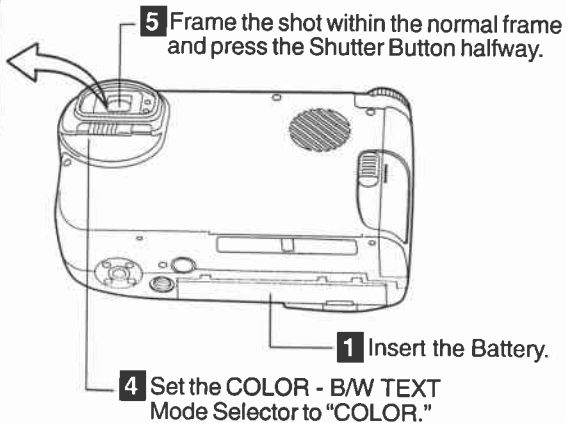
- 8 Double click on the image to load, or click on an image and then click on the Acquire button.
- 9 Click on the Exit button to close the PowerShot TWAIN Driver.

Taking Pictures

Basic Picture Taking



Normal Frame



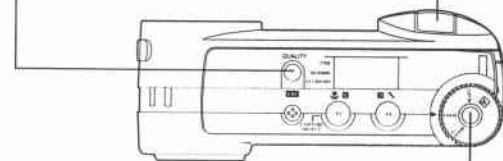
Erasing Images

Erasing an Image with Your Camera

Perform the following steps to erase the last image taken (the image with largest serial number displayed). Repeat to delete additional images.

- 2 Press and hold down the Quality Button.
- 3 Press the Shutter Button.

- 1 Hold down the button in the center of the Mode Dial and turn the dial to "ERASE."



Erasing All Images

Perform the following steps to erase *all* images in the camera.

Caution: There is no way to "unerase" the images once they are erased!

- 2 Press and hold down the Quality Button.
- 3 Press the Shutter Button.

- 1 Hold down the button in the center of the Mode Dial and turn the dial to "ALL ERASE."

