

FRIGIDAIRE

Factory Parts Catalog



Product No.	FPMC2785KFA
	39257773D90S1
Series	27" elec
Color	stainless
Market	North America
Wiring Diagram	318046267
Owner's Guide	318205149
Installation Instructions	318201533
Service Data Sheet	318047455

 **Electrolux**

Electrolux Major Appliances
North & Latin America
P.O. BOX 212378
AUGUSTA, GA 30917

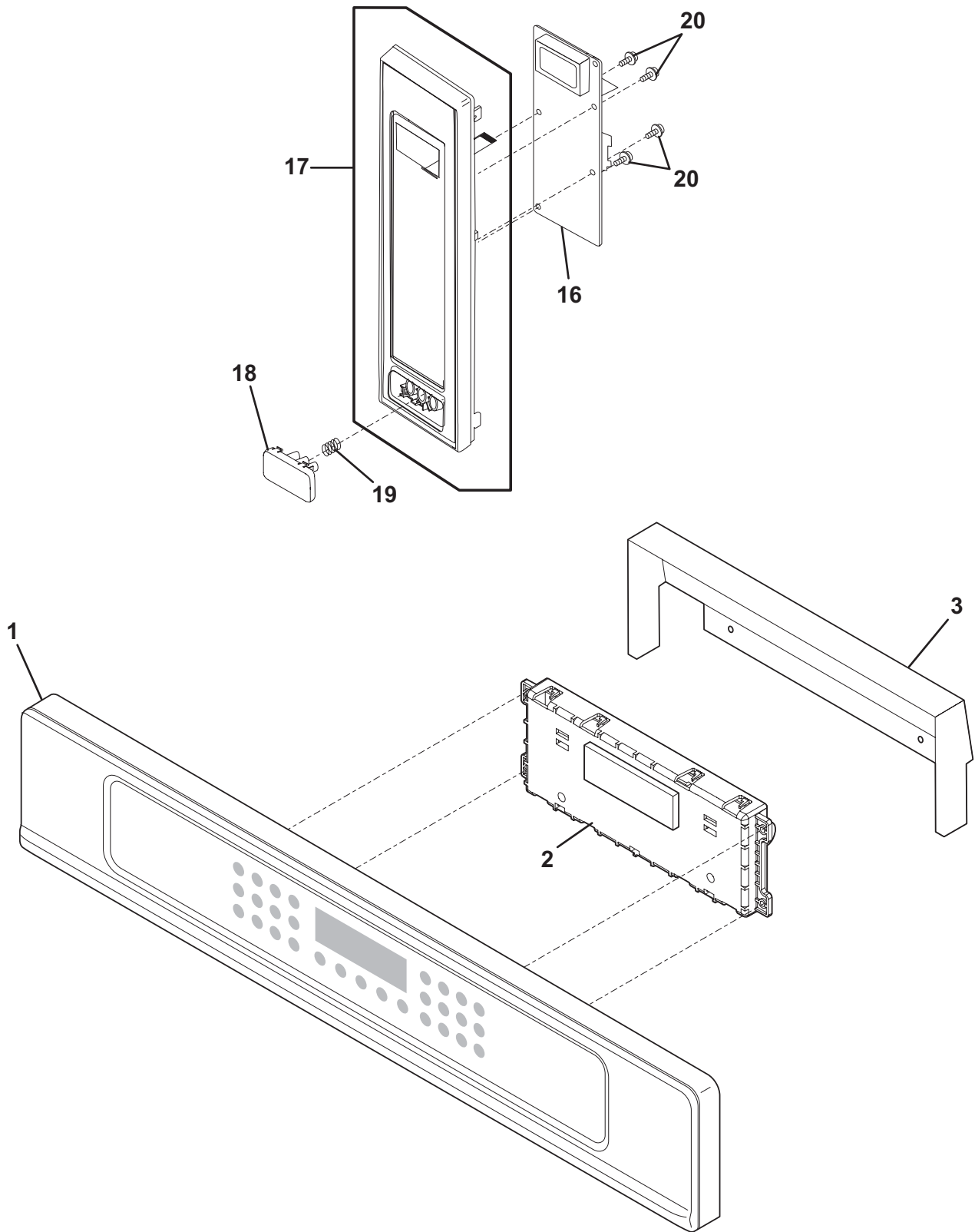
Publication No.
5995550992
09/09/01
(EN/SERVICE/ECL)
377

**27" WALL OVEN /
MICROWAVE COMBO**

Model No.
FPMC2785K

Copyright © 2009 Electrolux Home Products, Inc.
All rights reserved.

CONTROL PANEL

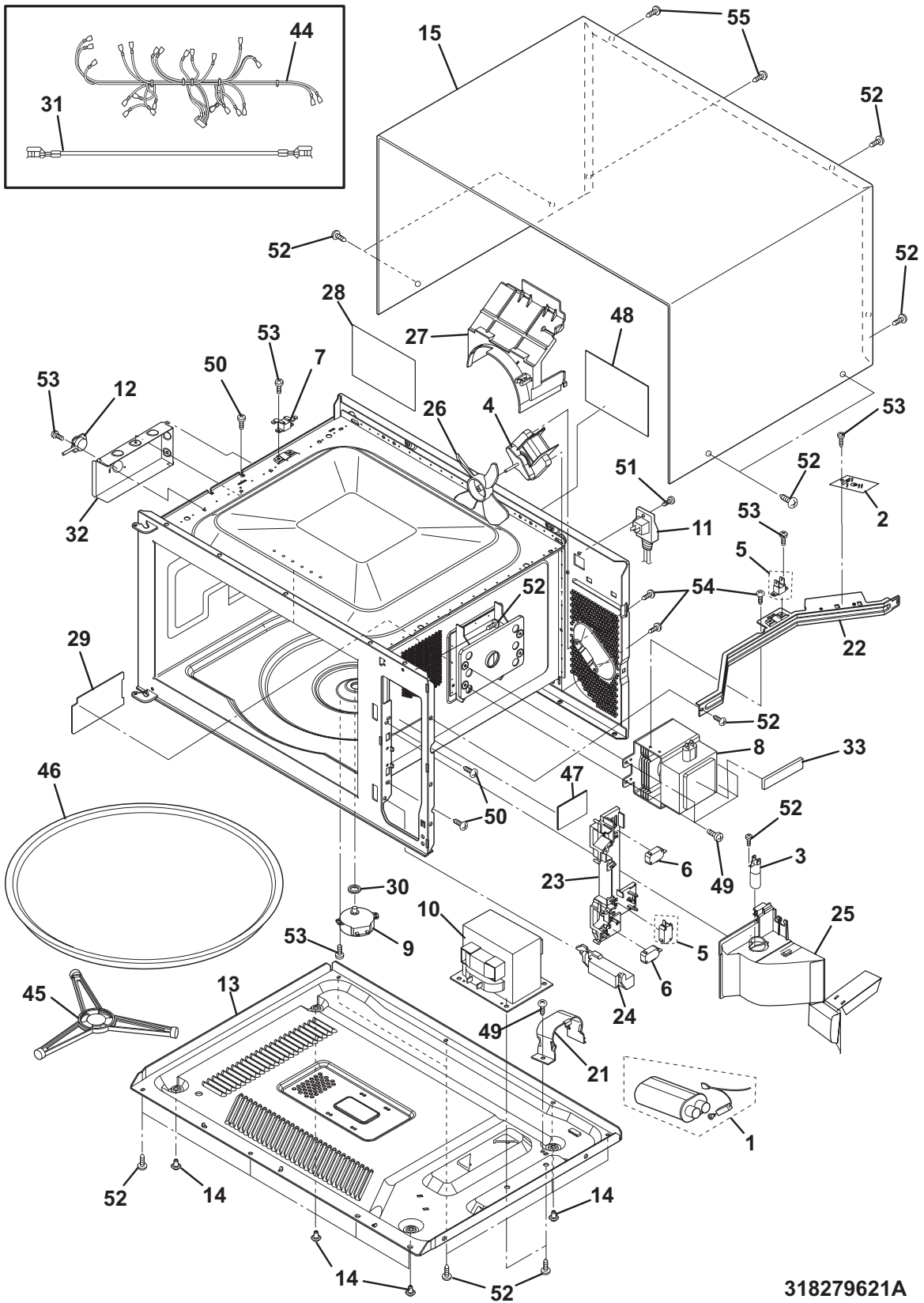


CFPMC3085KFA

CONTROL PANEL

POS. NO	PART NO.	DESCRIPTION
1 #	318575136	Panel Assembly, control, stainless, w/overlay-trim
2 #	316560151	Controller, electronic, ES530W2/W3
*	5303311306	Screw, 8-18 x 0.375, (6)
3	318295705	Deflector, timer
*	5303211311	Screw, 8 x 0.500
16 #	5304474853	Control Board, assembly, microwave
17 #	5304472841	Control Panel Assy, stainless
18	5304472845	Push Button, door, stainless
19	5304440831	Spring, door button
20	5304456930	Screw, 3 mm x 10 mm
*	5304436875	Screw, 8-18 X 1/2, black

MICROWAVE

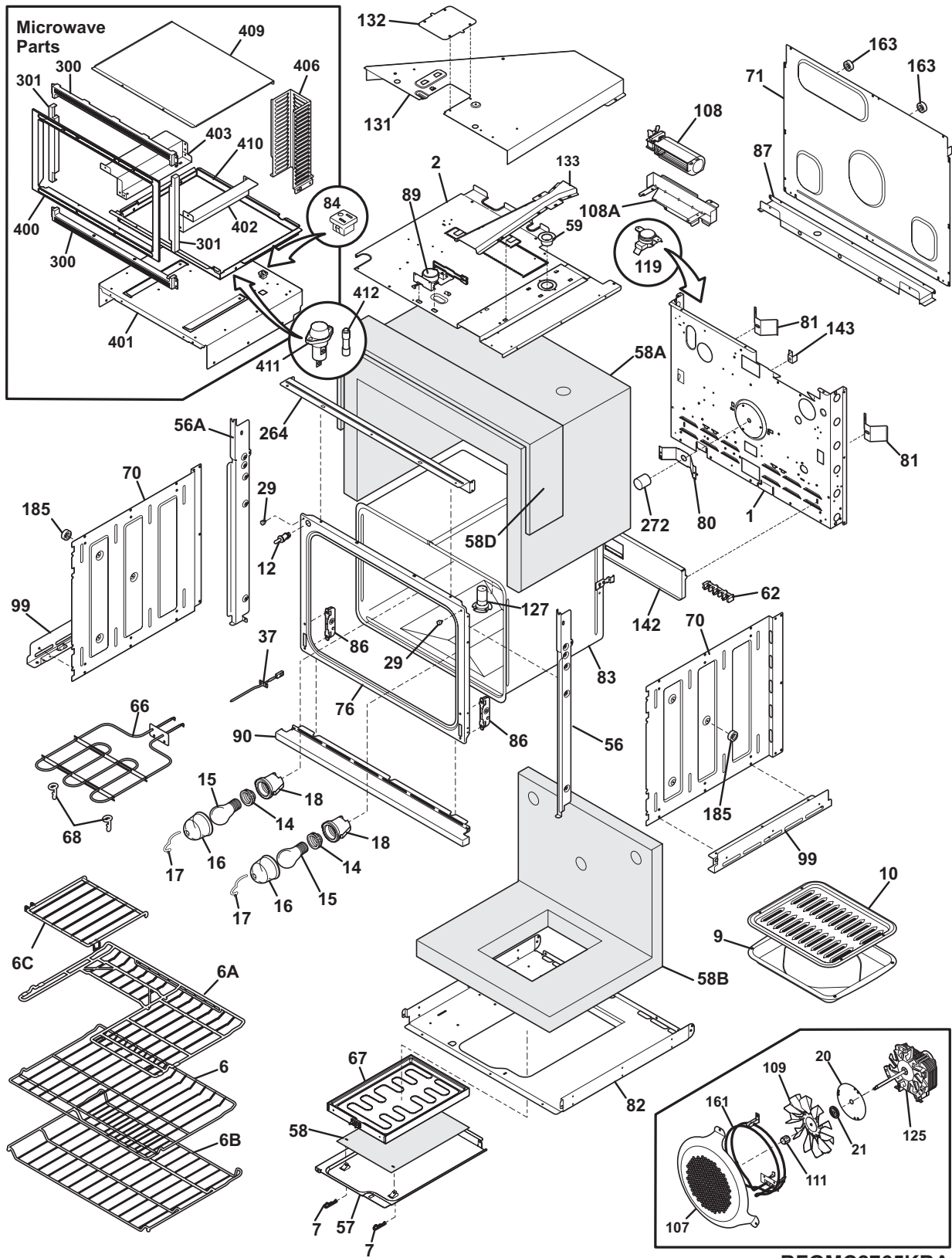


318279621A

MICROWAVE

POS. NO	PART NO.	DESCRIPTION
1 #	5304462258	Capacitor/Rectifier Assy, HV
2 #	5303322968	Filter, noise, electronic
3 #	5304440779	Lamp Assy, with socket
4 #	5304448490	Motor, cooling fan
5 #	5304440027	Switch Kit, monitor, with CT fuse
6 #	5304440026	Switch, interlock, door sensor
7 #	5304440780	Fuse, cavity temp, 20 Amp, 250 V
8 #	5304472253	Magnetron
9 #	5304440782	Motor, turntable
10 #	5304473321	Transformer, power
11 #	5304440784	Power Cord, electric
12 #	5304440785	Sensor, humidity, cook control
13	5304440814	Base, unit chassis
14	5304474852	Foot, cabinet support
15	5304440816	Cabinet, outer casing, black
21	5304440838	Retainer, capacitor strap
22	5304462313	Bracket, chassis support
23	5304440840	Latch Hook
24	5304464899	Lever, door release
25	5304440842	Duct, magnetron
26 #	5304440843	Fan Blade, cooling fan
27	5304472846	Duct, cooling fan
28	5304465314	Label, NHW caution
29	5304462314	Cover, waveguide
30	5304440288	Bushing, motor shaft, turntable
31 #	5304440870	Wire, high voltage-A
32	5304440847	Duct, AH sensor
33	5304441910	Cushion, magnetron pad
44 #	5304440878	Wiring Harness, main
45	5304440284	Support Assy, turntable
46	5304440868	Tray, turntable, glass
47	5304440334	Label, Caution-monitor
48	5304440333	Label, Caution-DHHS
49	5303319636	Screw
50	5303319641	Screw
51	5304462315	Screw, 4 mm x 12 mm, ground
52	5304451553	Screw, 4 mm x 12 mm
53	5304453725	Screw, 3mm x 8mm
54	5304450253	Screw, 4 mm x 8 mm
55	5304440873	Screw, Torx, T20H/GTXH20-100
*	5304400794	Screw, 10-32 x 3/4, (4)

LOWER OVEN

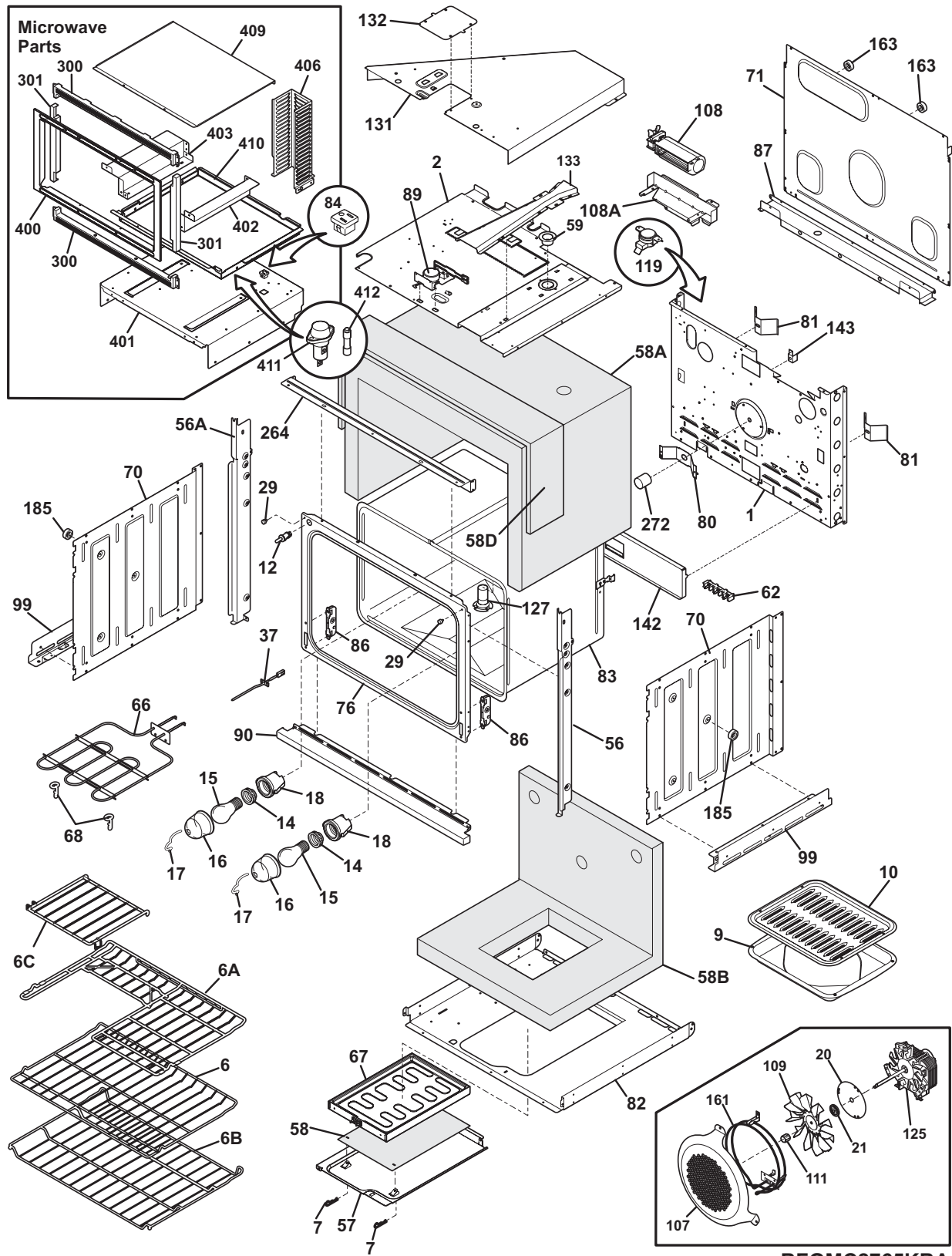


BFGMC2765KBA

LOWER OVEN

POS. NO	PART NO.	DESCRIPTION
1	318259213	Back, main
2	318258920	Shield, insulation, upper
6	318922300	Rack, oven
6A	318926804	Rack, half, oven
6B	318919800	Rack, oven
6C	318929703	Insert, half rack
7	318368300	Pin, locking, (2)
9	5303317977	Pan, broiler, OPTIONAL ACCESSORY
10	5303317976	Insert, broiler pan, OPTIONAL ACCESSORY
12	316445501	Switch, oven light, door frame
14	318224000	Receptacle, oven light
14*	318268099	Insulation, oven light
15	5303013071	Bulb/Lamp, light
16	08011086	Lens, oven light, glass
17	5304400195	Retainer, light cover
18	318222400	Housing, oven light
18*	318368501	Seal, housing, flat washer
20	318389400	Plate, retainer
21	318389000	Seal, ring
29	316517600	Spacer, oven door
37 #	316217002	Probe, oven temp
56	318276328	Trim, side filler, grey, RH
56A	318276329	Trim, side filler, grey, LH
57	318902701	Panel, service
58	318330503	Insulation, service panel
58A	318386110	Insulation, oven wrapper
58B	318330510	Insulation, back & bottom, oven
58D	318372006	Insulation, 1/2" thick, 43 x 9.5
59	318072577	Duct, oven vent
62	316056000	Terminal Block
62*	5303323139	Screw, 10-24 x 0.906
62*	5303323144	Nut, 10-32
66 #	318255601	Element, broil, 3400W
67 #	318902502	Element, hidden bake, 1450W
* #	318231870	Wiring Harness, bake element
*	5303323130	Screw, 8 x 1/4, (6)
68	5304403015	Support, hanger, (4), broil element
70	318259105	Shield, insulation, sides, (2)
71	318260001	Panel, rear box
76	318056224	Front, oven
80	5303320846	Plate, oven mtg
81	318192400	Spring, oven
*	5303323129	Screw, 8 X 0.750
82	318258774	Shield, insulation, lower
83	318261810	Liner, oven
84 #	318146833	Outlet-electrical, miniature, black-glossy
86	318561100	Receptacle, hinge, (2)
86*	5304461333	Screw, 10-32 x 17/32
87	318260623	Bracket, cable mtg.
89 #	318261215	Motor, latch assy
* #	318402209	Wiring Harness, main, latch

LOWER OVEN

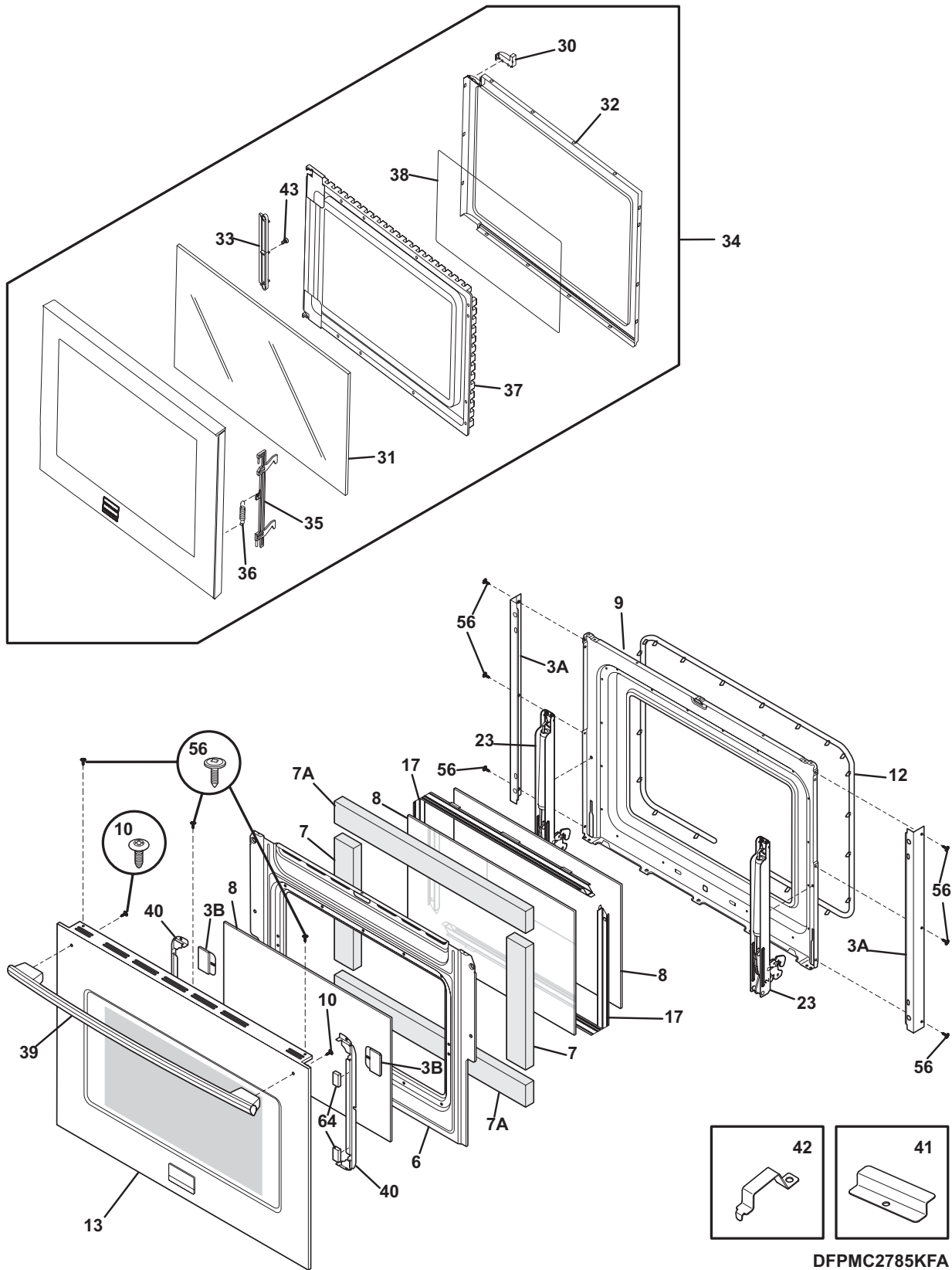


BFGMC2765KBA

LOWER OVEN

POS. NO	PART NO.	DESCRIPTION
90	318259838	Trim, base, stainless
99	318256201	Bracket, side, bottom, (2)
107	318219405	Cover, fan
108#	318073028	Motor, blower
*	08016432	Screw, truss head, 8-18 x 0.375
108A	318251300	Bracket, fan support
109	318398300	Fan Blade
111	316136600	Nut, fan retainer
119#	318004900	Switch, thermal
*	5303308450	Screw, 8 x 0.375, (10)
125#	318398200	Motor, fan
*	5303324184	Screw, 8-18 x 5/16, black, (4)
127	318357001	Adapter Assembly, w/vent tube, and catalyst
131	318272901	Box, vent
132	318003000	Plate, shield
133	318347800	Chimney
142	318123910	Deflector
143	318172904	Support, wire
161#	318255504	Element, convection, 350 W
163	318531703	Spacer, (4)
185	318531800	Spacer, oven shield, (2)
264	318257721	Trim, oven, black, front
272	318249409	Tube, protector
300	318925002	Trim, microwave frame, grey, top/bottom, (2)
301	318925105	Trim, microwave frame, grey, sides, (2)
400	318930303	Frame, microwave, stainless
*	5303307406	Screw, 6-32 x 3/8, black, (2)
401	318297206	Plate, support, microwave, 27"
402	318276204	Bracket, base pad, RH
403	318276206	Bracket, base pad, LH
406	318277201	Shield, microwave rear
409	318295301	Bracket, top trim
410	318297111	Flue, black
411#	5304442354	Holder, fuse
*	5304453707	Screw, 8-18 X 1/2
412#	5304442353	Fuse, 20 Amp
* #	318394442	Box & wires assy
* #	318532182	Harness, wiring, main
*	318165800	Spacer
*	5303211311	Screw, 8 x 0.500
*	5303323136	Screw ground
*	5303323277	Screw, 8-18 X 13/32
*	5304415832	Screw, 8-18 x 0.406

DOORS



DOORS

POS. NO	PART NO.	DESCRIPTION
3A	318260401	Trim, oven door, side, (2)
3B	318262101	Cover, rear door, black, (2)
6	318260510	Baffle, door
7	318372000	Insulation, door, (2)
7A	318372001	Insulation, door, 20.5 x 2.375, (2)
8	318212200	Glass, oven door, heat barrier
9	318259656	Liner, upper door
10	5304472906	Screw, handle mtg, #10-24 x 1.5, (2)
12	318053126	Gasket, oven door seal
13	318927811	Door Assembly, outer, steel/glass, stainless/black, w/badge
17	318264700	Spacer, glass, (2)
23	318567105	Hinge, oven door, (2)
*	5304461333	Screw, 10-32 x 17/32
30	5304442145	Door Stop
31	5304472853	Panel, door glass, silver
32	5304440861	Choke Cover, inner door
33	5304440862	Door Stop
34	5304475289	Door Assembly, complete, stainless, w/badge
35	5304440856	Latch, door
36	5304440316	Spring, door latch
37	5304472852	Panel, inner door, light gray
38	5304440860	Seal, door, film
39	318919700	Handle, door, stainless
40	318242702	Bracket, glass holder, door, (2)
41	318370600	Bracket, glass retainer, (2)
42	318382301	Bracket, glass retainer, (4)
43	5304452259	Screw
56	5304436875	Screw, 8-18 X 1/2, black
64	318165800	Spacer
*	5303300265	Screw, 8-18 X 1/2, silver, (4)

WIRING DIAGRAM

