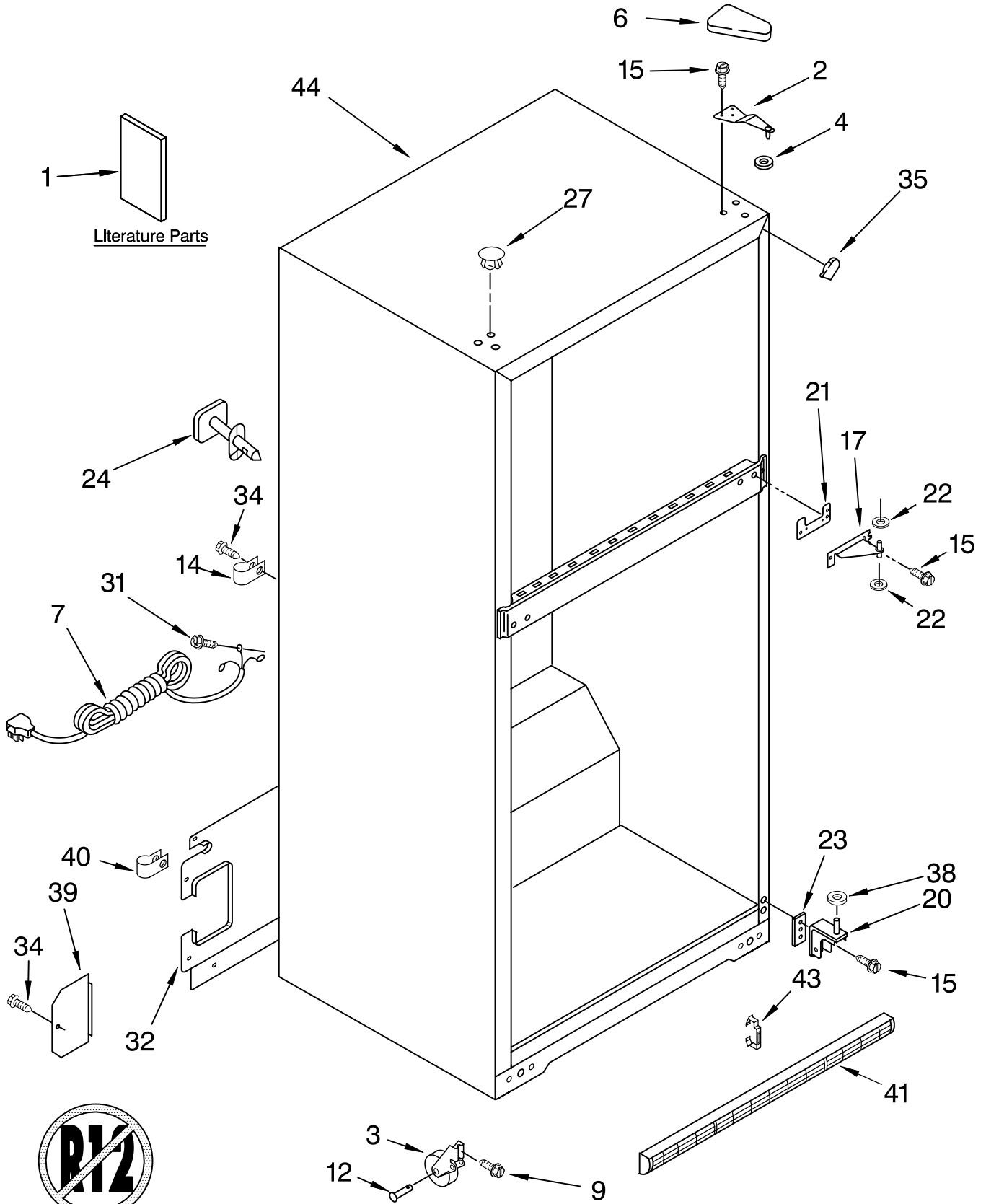




CABINET PARTS

For Models: 5ET2DTKXLQ02
(White)

REFRIGERATOR



FOR ORDERING INFORMATION REFER TO PARTS PRICE LIST

CABINET PARTS

For Models: 5ET2DTKXLQ02
(White)

Illus. No.	Part No.	DESCRIPTION
1		Literature Parts
	LIT2225305	Service & Wiring Sheet
	LIT2218469	Use & Care Guide English
	LIT2218474	Use & Care Guide Hebrew

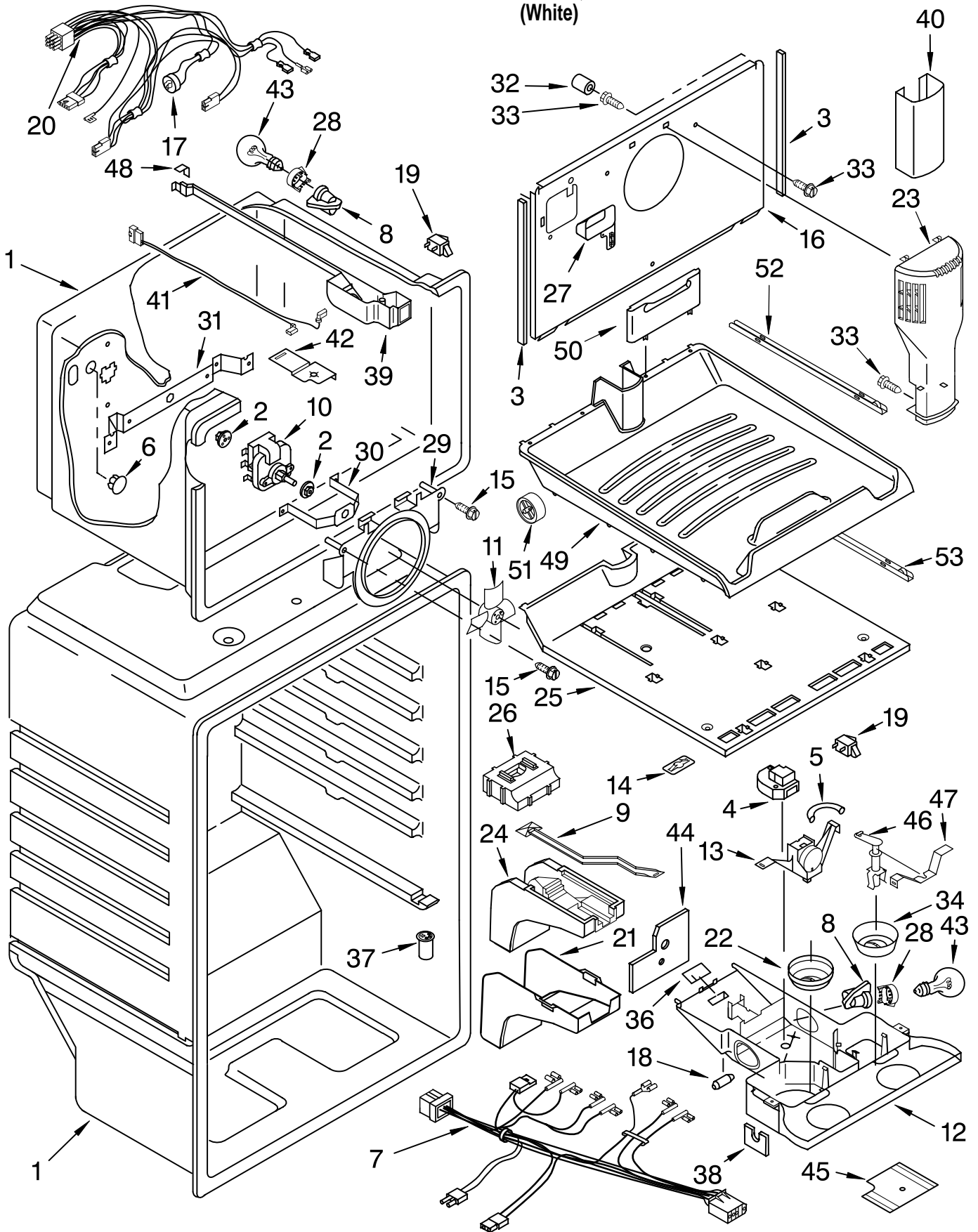
Following May Be Purchased

DO-IT-YOURSELF REPAIR MANUALS

	LIT677969	Do-It-Yourself Manual Ref./Fzr.
2	2189410	Hinge (Top)
3	2166108	Roller, Front
4	487576	Washer, Nylon
6	2213360	Cover, Hinge
7	2205329	Cord, Service
9	3400504	Screw
12	981126	Rivet
14	489348	Clamp, Tube
15	489497	Screw
17	2183972	Bracket, Hinge Assembly
20	2189194	Hinge Butt
21	2183854	Shim, Hinge Center
22	489341	Washer
23	2172743	Shim, Bottom Hinge
24		Fitting, Water Tube (Not Serviced)
27	2201012	Hole Plug (6)
31	489442	Screw
32	2210542	Cover, Unit
34	489464	Screw
35	2201014	Corner Filler
38	487576	Washer
39	2166251	Cover, Valve
40	489385	Clamp
41	2201006	Grille
43	2189356	Clip, Grille
44		Cabinet (Not A Serviceable Part)

LINER PARTS

For Models: 5ET2DTKXLQ02
(White)



FOR ORDERING INFORMATION REFER TO PARTS PRICE LIST

LINER PARTS

For Models: 5ET2DTKXLQ02
(White)

Illus. No.	Part No.	DESCRIPTION	Illus. No.	Part No.	DESCRIPTION	Illus. No.	Part No.	DESCRIPTION
1		Liner (Not A Serviceable Part)	20	2187571	Wire Assembly, Freezer Compartment	38	2179838	Foil, Control Box
2	2197380	Grommet (2)	21	2176281	Cover, Air Diffuser	39	2184633	Housing Base
3	2221653	Gasket, Evaporator Cover (Side)	22	2200863	Knob, Thermostat	40	2179712	Sleeve
4	2187236	Timer, Defrost	23	2182340	Air Tower	41	2187601	Wiring Harness, Freezer Light
5	2212485	Thermostat Tube Barrier	24	2189452	Air Diffuser, Bottom	42	2193491	Electrical Shield, Freezer Light
6	941839	Hole Plug	25	2190589	Freezer Floor	43	851682	Light Bulb
7	2187306	Wire Assy. Control Box	26	2204690	Air Diffuser, Top	44	2204639	Shield
8	2162085	Socket, Light (2)	27	2205003	Cover, Hole	45	2201082	Shield, Heat
9	2179858	Damper, Air	28	2175210	Shroud	46	2179859	Post, Damper
10	2221679	Fan Motor	29	2218696	Bracket, Fan Motor	47	2163810	Bracket, Damper Knob
11	2200509	Fan Blade	30	2214979	Bracket Evap. Fan, Front	48	2166284	Gasket, Rear
12	2200820	Control Box	31	2214976	Bracket Evap. Fan, Rear	49	2189449	Pullout, Freezer Floor
13	2210379	Thermostat Assembly	32	487996	Cap	50	2198768	Rear Fence, Pull-Out Freezer Floor
14	2176341	Clip, Defrost Timer	33	489478	Screw	51	2176246	Roller, Slide
15	693995	Screw	34	2176297	Knob, Damper	52	2179713	Side Support, Floor Assembly
16	2201180	Cover, Evaporator	36	2205079	Seal, Rear Thermostat	53	2179714	Center Support, Floor Assembly
17	2221678	Defrost Bi-metal	37	2210509	Valve, Release			
18	2200831	Weight, Thermal						
19	1118894	Rocker Arm Switch						

FOR ORDERING INFORMATION REFER TO PARTS PRICE LIST

SHELF PARTS

For Models: 5ET2DTKXLQ02
(White)

Illus. No.	Part No.	DESCRIPTION
1	2210522	Shelf, Ladder (2)
2	2202821	Shelf, Ladder Center
3	2163762	Cup, Shelf Mtg.
4	2216624	Egg Bin
7	2174447	Frame Assembly, Shelf (2)
9	2210524	Crisper Cover
11	2210573	Glass, Crisper Cover
12	2205162	Frame Assembly, Meat Shelf
13	2172684	Gasket, Crisper Cover
15	2163832	Crisper, Support
17	2184667	Shelf, Freezer
19	2218139	Pan, Crisper Includes 32,33,34.
20	2218132	Pan, Meat Includes #35.
32	2176222	Slide, Crisper
33	2212446	Body, Humidity Control
34	2195341	Trim, Crisper Pan
35	2176357	Trim, Meat Pan
36	841180	Ice Cube Tray
37	2195347	Shelf Assembly, Spillguard
38	489478	Screw
39	2212770	Shelf, Ice Tray

FOR ORDERING INFORMATION REFER TO PARTS PRICE LIST

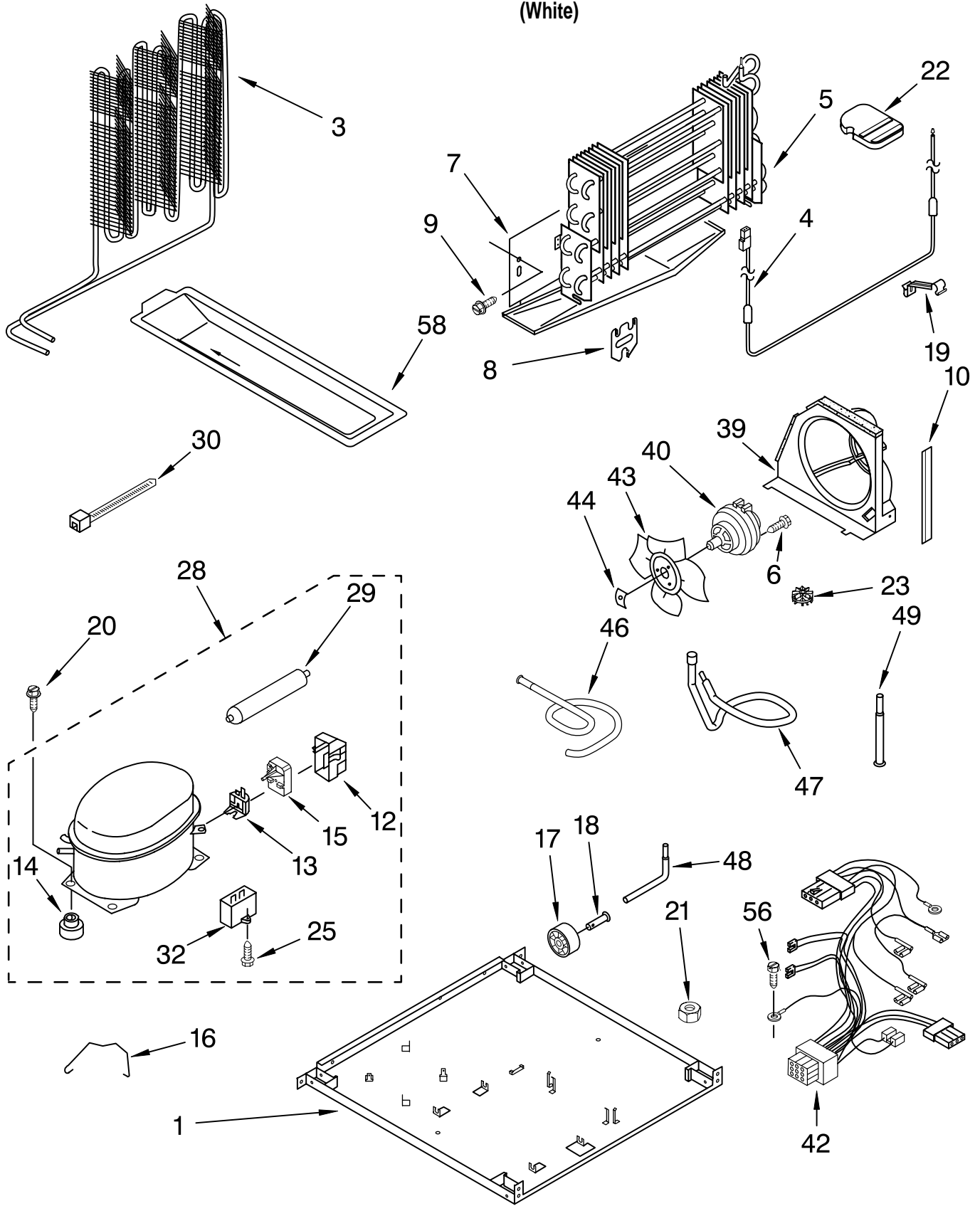
REFRIGERATOR DOOR PARTS

For Models: 5ET2DTKXLQ02
(White)

Illus. No.	Part No.	DESCRIPTION
1	2183868	Refrigerator Door (Includes #8 & #12)
4	2189202	Bracket, Door Stop
5	488921	Screw, 8 x 1/2
6	8281206	Screw, 8-15 x 1/2
7	2212648	Hole Plug
8		Door Gasket, Magnetic
	2202875	Mist Beige
11	2210566	Housing Compartment
12	2183003	Thimble
13	2195388	Tray, Door
16	489357	Screw
17	8281146	Screw
19	2213112W	Handle
20	2179606	Bin, Door Shelf (4)
21	2195948	Trim, Door Shelf
22	2218109	Door Compartment
23	2159306	Trim, Door Shelf
24	2189000	Hole Plug, Handle
27	2193353W	Cover, Endcap
38	2177340	Endcap, Door Trim
39	2156006	Plug, Trim

UNIT PARTS

For Models: 5ET2DTKXLQ02
(White)



FOR ORDERING INFORMATION REFER TO PARTS PRICE LIST

UNIT PARTS

For Models: 5ET2DTKXLQ02
(White)

Illus. No.	Part No.	DESCRIPTION
1	2205340	Plate, Unit Mounting
3	2210454	Condenser
4	2166872	Heater, Defrost
5	2195390	Evaporator Assy.
6	489494	Screw
7	2172620	Drain Pan
8	2176301	Bracket, Heater
9	489478	Screw
10	2163780	Extension, Air Baffle
12	4387959	Cover (Service Only)
13	4387962	Overload (Service Only)
14		Grommet (4)
	1100826	Production
	4387558	Service
15	2221780	Start-Device Combination Start Relay and Overload for Production Compressor Only)
16	2254216	Strap
17	2150304	Roller (2)
18	2179826	Rivet
19	2182338	Clip, Heater
20	489373	Screw

Illus. No.	Part No.	DESCRIPTION
21		Nut (Not Serviced)
22	2201185	Support Block
23	531933	Grommet
25	488687	Screw
28	2187203	Compressor (Includes Items 12,13,14,29 & 32) (Also Order 482801 Installation Kit & 876765 Tube Kit)
29		Drier
	2199167	Production
	4387019	Service
30	2155774	Clamp
32		Capacitor
	2254217	Production
	4387874	Service
39	2188262	Air Baffle
40	2188539	Motor, Condenser
42	2187586	Wire Assembly, Unit
43	2190685	Fan Blade
44	486692	Nut
46	2205533	Tube, Discharge
47	2214924	Tube, Suction
48	2154109	Tube, Process
49	2212603	Tube, Transition
56	3400518	Screw
58	2210451	Evaporator Tray

Illus. No.	Part No.	DESCRIPTION
------------	----------	-------------

Following Parts Not Illustrated and Optional Parts Not Included

978025	Valve, Access (1/4")
978026	Valve, Access (5/16")
978027	Valve, Access (3/8")
978028	Valve, Access (1/2")
978029	Valve, Access (5/8")
978030	Valve, Access (3/4")
876764	Valve, Access (3/16")

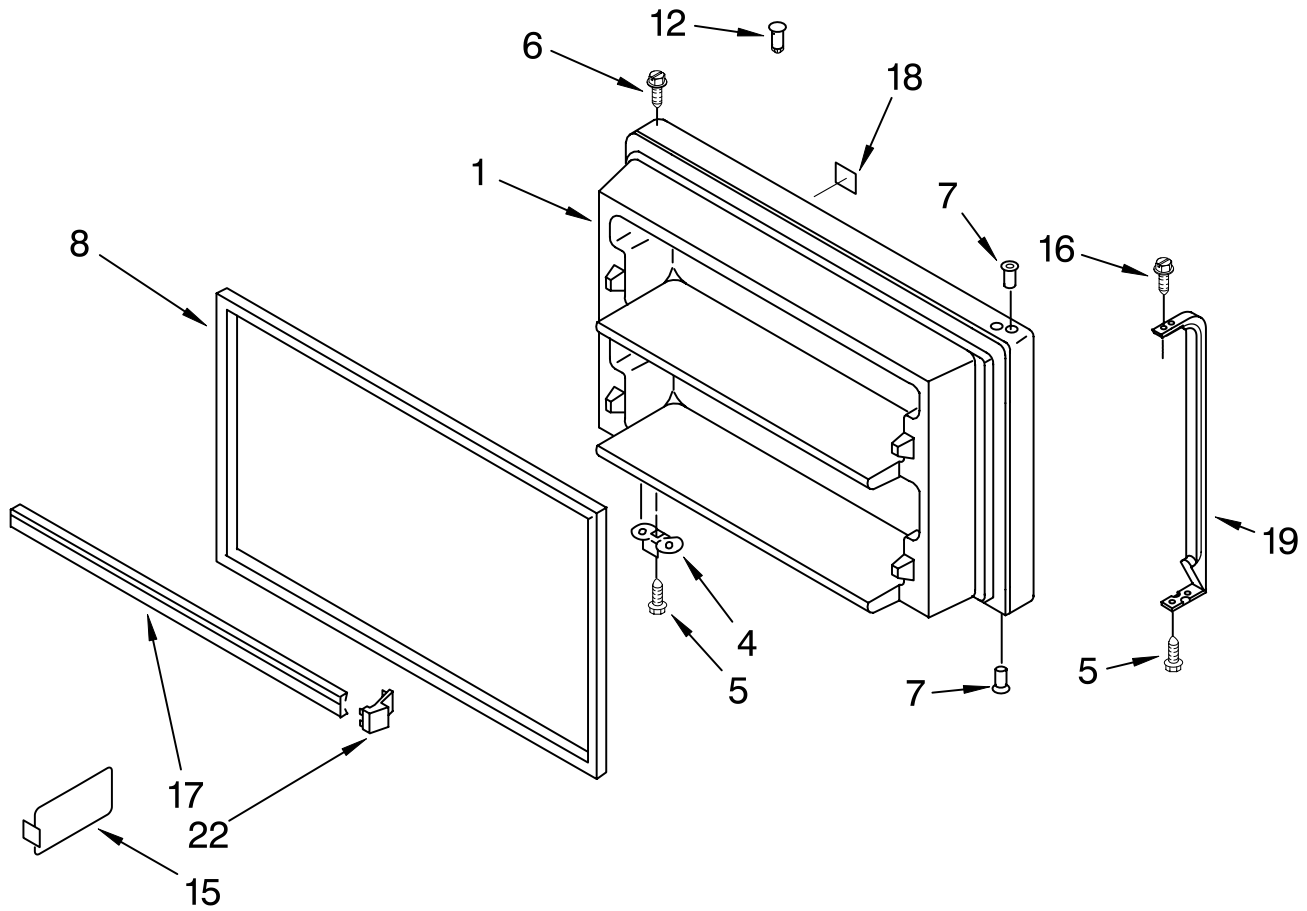
REFRIGERANT CHARGE

4.0 Ozs.
(R134A)



FREEZER DOOR PARTS

For Models: 5ET2DTKXLQ02
(White)



Illus. No.	Part No.	DESCRIPTION
1	2183862	Freezer Door (Includes #8 & #12)
4	2189202	Bracket, Door Stop
5	488921	Screw
6	8281206	Screw, 8-15 x 1/2
7	2212648	Hole Plug
8		Door Gasket, Magnetic
	2214967	Mist Beige
12	2183003	Thimble
15	1123293	Divider, Door Shelf
16	489357	Screw
17	2195947	Trim, Door Shelf (2)
18	2195063	Nameplate
19	2213111W	Handle
22	2195916	EndCap, Trim (4)

FOR ORDERING INFORMATION REFER TO PARTS PRICE LIST

OPTIONAL PARTS

For Models: 5ET2DTKXLQ02
(White)

Illus. No.	Part No.	DESCRIPTION
Parts Not Illustrated and Optional Parts (Not Included)		
	978941	Insulation, Fiberglass (63-1/2" x 35-1/2" x 2-5/8")
	212643	Sealer, Gum (4 Feet)
	479502	Tape, Vinyl (3/4" x 108")
	876305	Kit, Insulation (14 Pcs. 3" x 24" x 48")
	876370	Kit, Insulation (2 Pcs. 3" x 24" x 48")
	876029	Kit, Foam Slab (30" x 32-1/2" x 1-1/2")
	505587	Sealer, Mastic (1 Qt.)
	511873	Touch-Up, White Porcelain (2 Oz.)
	542638	Grease, Silicone (1/2 Oz.)
	542639	Cement, Alumilastic (1-1/4 Oz.)
	606755	Bag, Insulation (36-5/8" x 46")
	799833	Kit, Evaporator Repair (Aluminum Epoxy)
	799832	Kit, Porcelain Repair (White)
	503695	Cork Sealer (1/4 Pound)

Illus. No.	Part No.	DESCRIPTION
Customer Touch-Up Material		
	*350942	Primer, White (12 Oz. Spray Can)
	*350939	Enamel, Black (12 Oz. Spray Can)
	*350930	Enamel, White (12 Oz. Spray Can)
	*350956	Enamel, Almond (12 Oz. Spray Can)
	72017	Brush Touch-Up Kit (White)
	72032	Brush Touch-Up Kit (Black)
Refinishing Material		
	799344	Enamel, White (1 Qt. Uncut)
	978883	Enamel, Almond (1 Qt. Uncut)
	833938	Kit, Terminal Connector
<p>*Important: The spray paint is not to be used where the paint may make contact with the door gaskets.</p>		

Illus. No.	Part No.	DESCRIPTION
ICE MAKER FIELD INSTALLABLE		
	1129316	ECKMF87
TORX SCREW WRENCH		
	1117510	Torx Key