



281H00

Illustrated Parts List Model Series 281H00

TYPE NUMBERS
0111 THROUGH 0384.

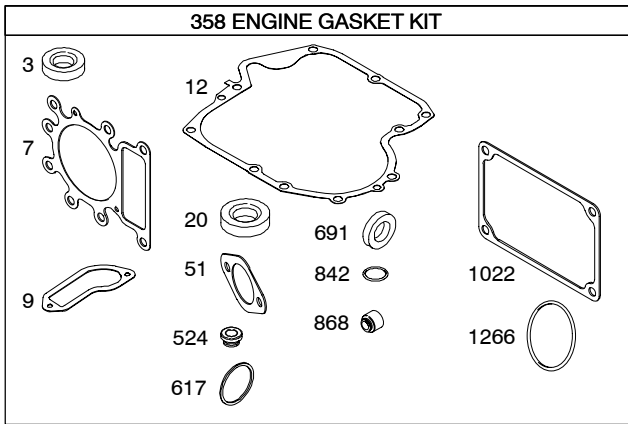
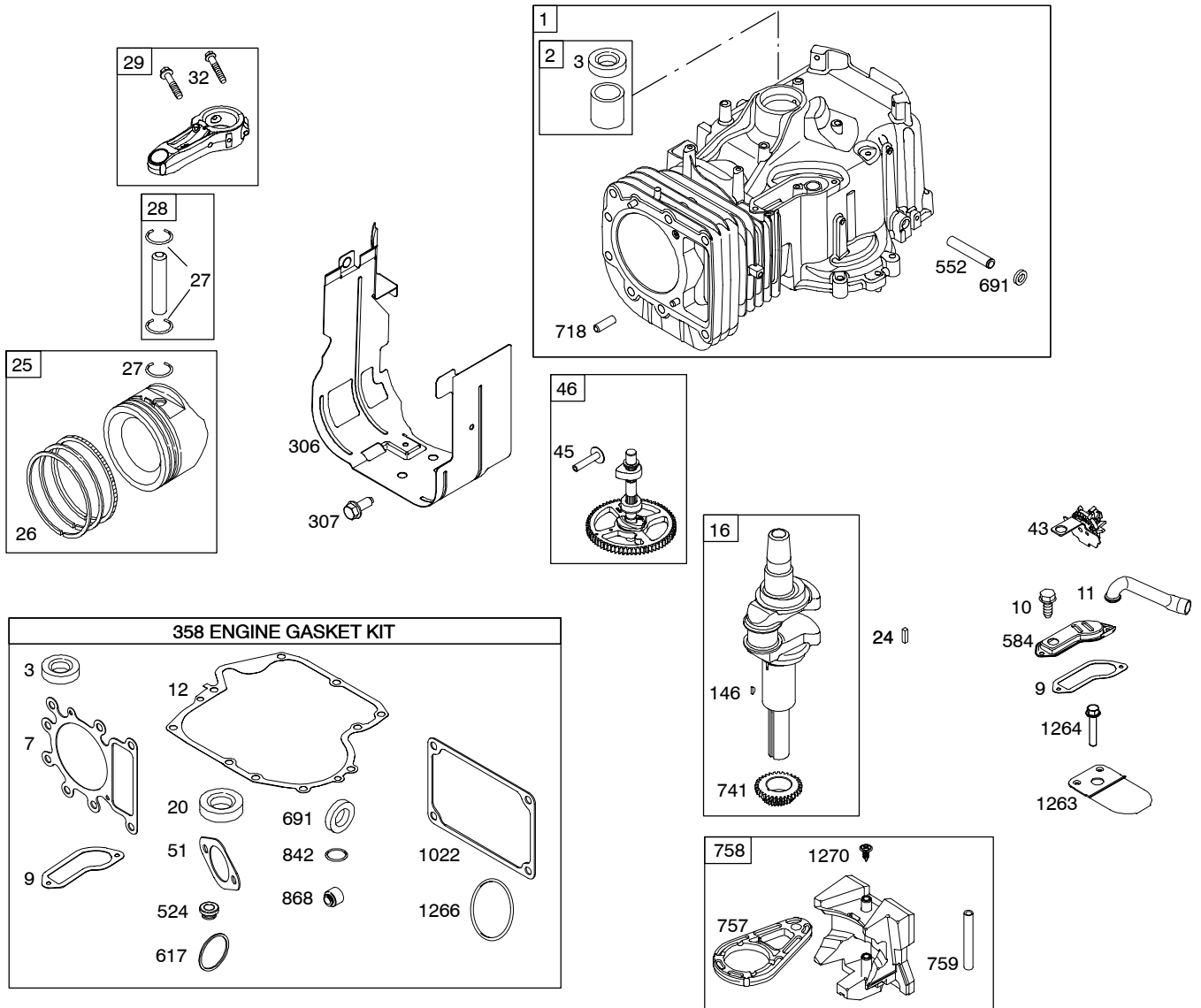
TABLE OF CONTENTS

Air Cleaner	5
Alternator	7
Blower Housing	5
Camshaft	2
Carburetor	4
Controls	7
Crankshaft	2
Cylinder	2
Cylinder Head	3
Electric Starter	7
Engine Sump	2
Flywheel	6
Fuel Supply	4
Gasket Set - Engine	2
Gasket Set - Valve	3
Governor Spring	7
Ignition	7
Kit - Carburetor Overhaul	4
Lubrication	3
Piston, Rings, Connecting Rod	2
Valves	3



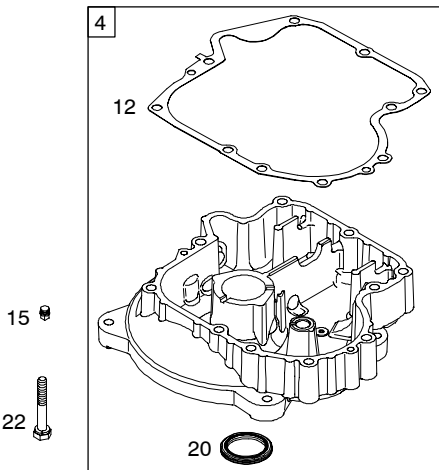
PRINTED IN U.S.A.

COPYRIGHT by BRIGGS & STRATTON CORPORATION
All rights reserved. No part of this material may be reproduced or transmitted, in any form or by any means, electronic or mechanical, including photocopying, recording or by any information storage and retrieval system, without permission in writing from Briggs & Stratton Corporation.

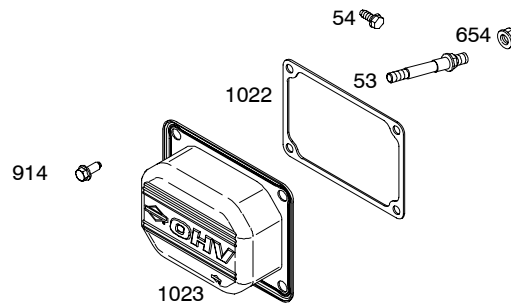
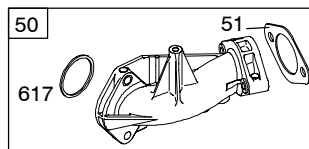
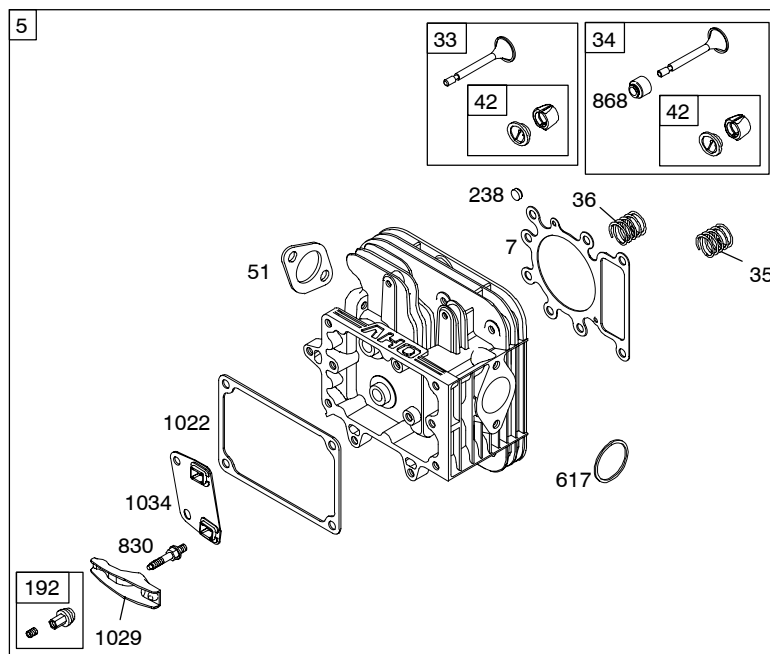
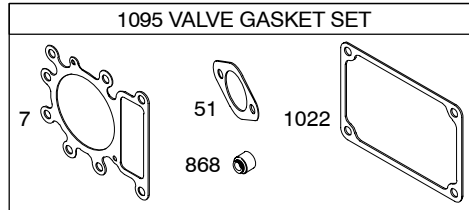
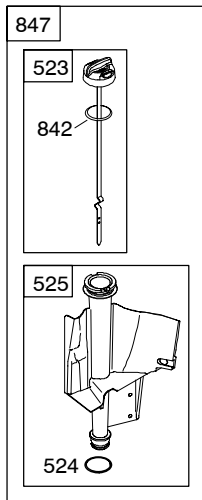


1058 OWNER'S MANUAL

1330 REPAIR MANUAL

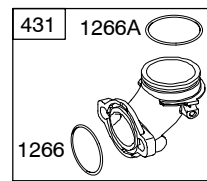
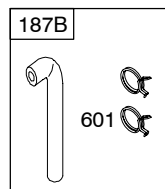
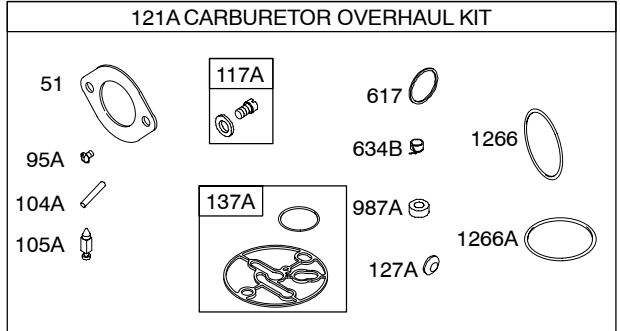
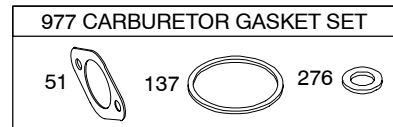
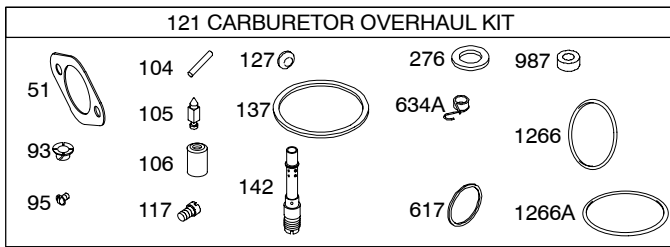
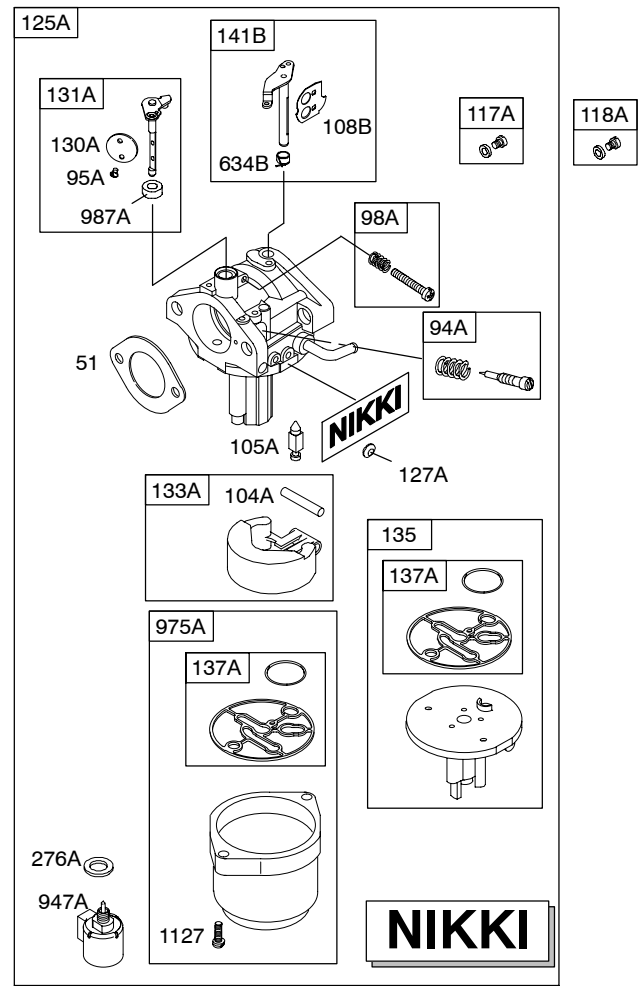
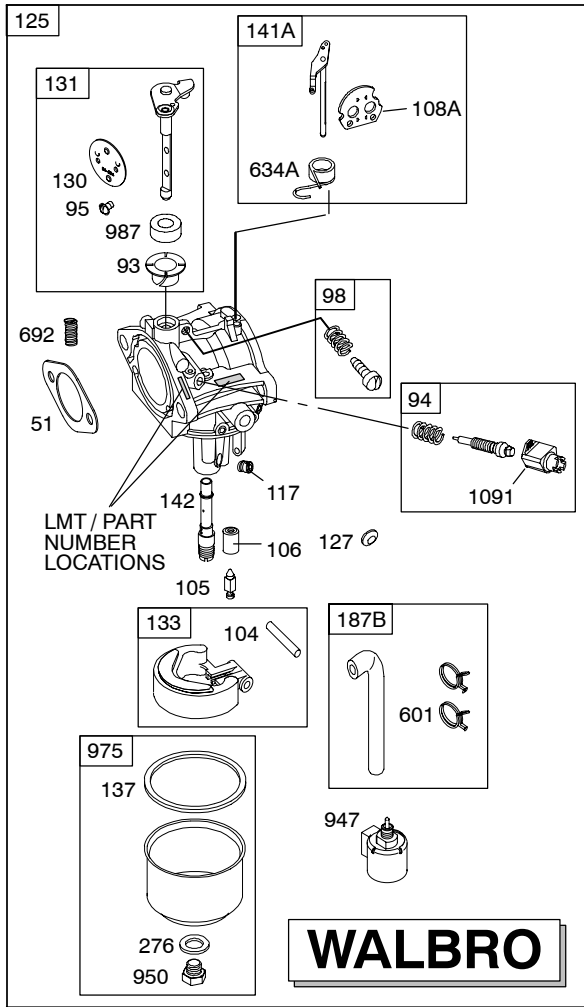


Illustrations cover a range of engines. Parts shown without corresponding text may not be used on your specific engine.



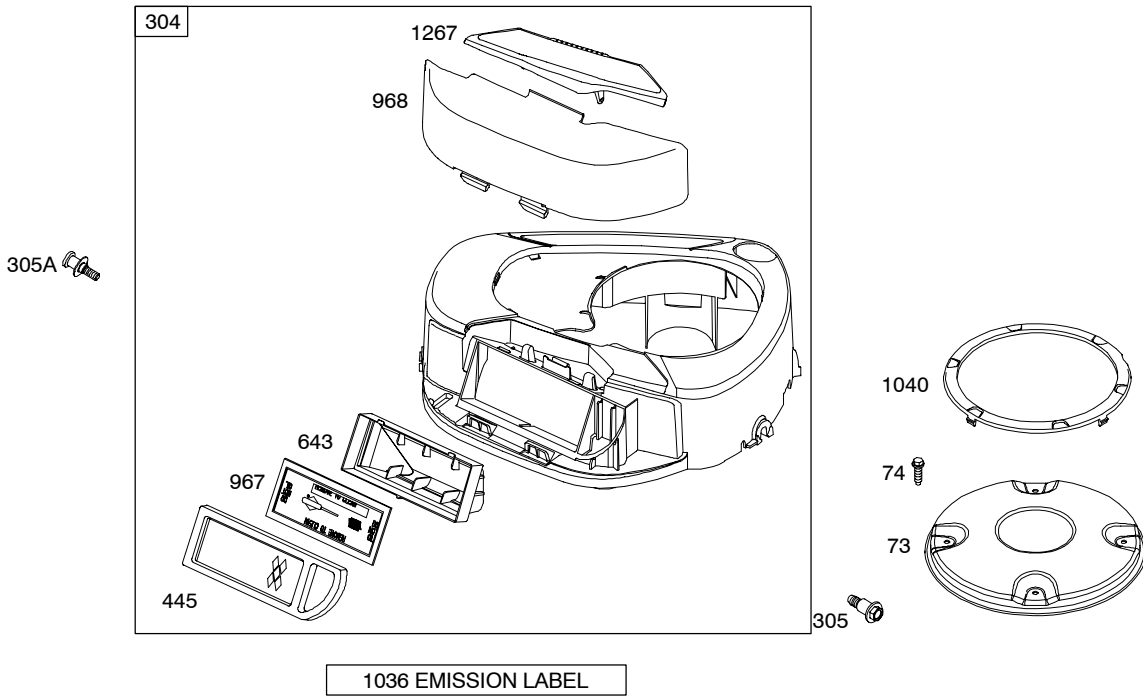
Illustrations cover a range of engines. Parts shown without corresponding text may not be used on your specific engine.
 5447-3 Assemblies include all parts shown in frames. 09/01/2006

281H00

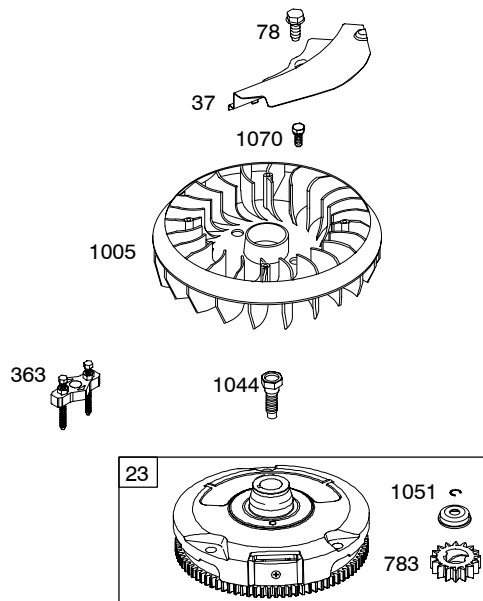


344

Illustrations cover a range of engines. Parts shown without corresponding text may not be used on your specific engine.



Illustrations cover a range of engines. Parts shown without corresponding text may not be used on your specific engine.
5447-5 Assemblies include all parts shown in frames.



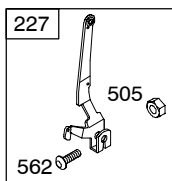
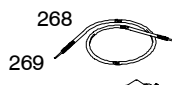
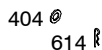
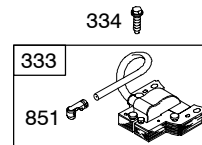
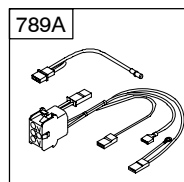
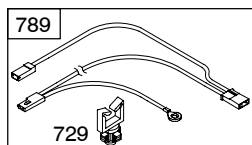
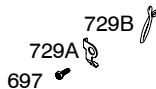
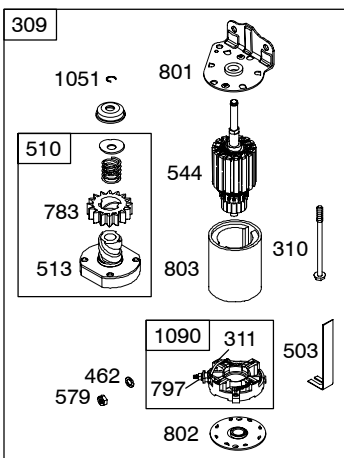
Illustrations cover a range of engines. Parts shown without corresponding text may not be used on your specific engine.

DUAL CIRCUIT		TRI CIRCUIT	
474A	1059	474B	1059
877		877B	
878		878A	



NOTE: All stators use a No. 1119 mounting screw.

NOTE: The proper flywheel part number and/or the alternator magnet size will determine the alternator type or output. See repair instruction manual for additional information.



281H00

REF. NO.	PART NO.	DESCRIPTION	REF. NO.	PART NO.	DESCRIPTION	REF. NO.	PART NO.	DESCRIPTION
1	697132	Cylinder Assembly	37	697352	Guard-Flywheel	125A	791858	Carburetor
2	399265	Kit-Bushing/Seal (Magneto Side)	42	499586	Keeper-Valve			(Nikki)(Gravity Feed)
3	★391086	Seal-Oil (Magneto Side)	43	691968	Slinger-Governor/Oil			Used on Type No(s). 0372, 0384.
4	697106	Sump-Engine	45	690564	Tappet-Valve	127	●695005	Plug-Welch
5	792360	Head-Cylinder	46	790400	Camshaft	127A	●690727	Plug-Welch
7	△★273280	Gasket-Cylinder Head	50	690193	Manifold-Intake	130	691750	Valve-Throttle
9	★697109	Gasket-Breather	51△★◆692137	Gasket-Intake	130A	699500	Valve-Throttle	
10	697157	Screw (Breather Assembly)	53	690227	Stud (Carburetor)	131	790901	Kit-Throttle Shaft
11	697113	Tube-Breather	54	691148	Screw (Intake Manifold)	131A	699501	Kit-Throttle Shaft
12	★697110	Gasket-Crankcase	73	697133	Screen-Rotating	133	494381	Float-Carburetor
13	690360	Screw (Cylinder Head)	74	697897	Screw (Rotating Screen)	133A	694914	Float-Carburetor
15	690946	Plug-Oil Drain (3/8" Standard)	78	691003	Screw (Flywheel Guard)	135	698780	Tube-Fuel Transfer
16	697127	Crankshaft	93	●690602	Bushing- Throttle Shaft	137	●281165	Gasket-Float Bowl
20	★690947	Seal-Oil (PTO Side)	94	498030	Kit-Idle Mixture	137A	●698781	Gasket-Float Bowl
22	692125	Screw (Crankcase Cover/ Sump)	94A	695425	Kit-Idle Mixture	141A	495931	Kit-Choke Shaft
23	693556	Flywheel Used on Type No(s). 0111, 0112, 0113. ----- Note ----- 693557 Flyqhwvl Used on Type No(s). 0372, 0384.	95	●691636	Screw (Throttle Valve)	141B	698778	Kit-Choke Shaft
24	222698	Key-Flywheel	95A	●690718	Screw (Throttle Valve)	142	●697140	Nozzle-Carburetor (Standard)
25	792307	Piston Assembly (Standard) ----- Note ----- 792728 Piston Assembly (.020" Oversize)	98	495800	Kit-Idle Speed	146	691639	Key-Timing
26	792308	Ring Set (Standard) ----- Note ----- 792601 Ring Set (.020" Oversize)	98A	695408	Kit-Idle Speed	187B	791805	Line-Fuel (Formed)(10-1/4 Inches Long)(Cut to Required Length)
27	698469	Lock-Piston Pin	104	●690525	Pin-Float Hinge	188	691693	Screw (Control Bracket)
28	697099	Pin-Piston (Standard)	104A	●694918	Pin-Float Hinge	192	691986	Adjuster-Rocker Arm
29	697126	Rod-Connecting (Standard)	105	●231855	Valve-Float Needle	202	691841	Link-Mechanical Governor
32	692852	Screw (Connecting Rod)	105A	●696136	Valve-Float Needle	209	692208	Spring-Governor (Green) Used on Type No(s). 0111, 0372, 0384. ----- Note ----- 260902 Spring- Governor (Plain) Used on Type No(s). 0112. 690576 Spring- Governor (Gold) Used on Type No(s). 0113.
33	791934	Valve-Exhaust	106	●690577	Seat-Inlet (Gravity Feed)	216	691840	Link-Choke
34	695761	Valve-Intake	108A	692344	Valve-Choke	222	694042	Bracket-Control
35	791935	Spring-Valve (Intake)	108B	695419	Valve-Choke	227	691374	Lever-Governor Control
36	691279	Spring-Valve (Exhaust)	117	●694352	Jet-Main (Standard)	232	691842	Spring-Governor Link
			117A	●699457	Jet-Main (Standard)	238	691843	Cap-Valve
			118	697228	Jet-Main (High Altitude)	240	394358	Filter-Fuel (White, 75 Microns)
			118A	699458	Jet-Main (High Altitude)			
			121	697241	Kit-Carburetor Overhaul (Walbro)			
			121A	699521	Kit-Carburetor Overhaul (Nikki) (Walbro)			
			125	791888	Carburetor (Walbro)(Gravity Feed) Used on Type No(s). 0111, 0112, 0113.			

★ Included in Engine Gasket Set-Ref. No.358.

● Included in Carburetor Overhaul Kit-Ref. No. 121 or 121A.

◆ Included in Carburetor Gasket Set-Ref. No. 977.

△ Included in Valve Gasket Set-Ref. No 1095.

Illustrations cover a range of engines. Parts shown without corresponding text may not be used on your specific engine.

REF. NO.	PART NO.	DESCRIPTION	REF. NO.	PART NO.	DESCRIPTION	REF. NO.	PART NO.	DESCRIPTION
265	691024	Clamp-Casing	344	693675	Screw (Cable Clamp)	616	692012	Crank-Governor
267	690804	Screw (Casing Clamp) Used on Type No(s). 0111, 0112, 0113. ----- Note ----- 695134 Screw Used on Type No(s). 0372, 0384.	356	697089	Wire-Stop	617	★692138	Seal-O Ring (Intake Manifold)
268	691025	Casing-Control Wire (Cut To Required Length)	358	697151	Gasket Set-Engine	634A	●690802	Spring/Seal Assembly
269	691026	Wire-Control (Cut To Required Length)	363	19203	Puller-Flywheel	634B	●698779	Spring/Seal Assembly
270	691027	Nut (Control Wire Casing)	383	89838	Wrench-Spark Plug	635	691909	Boot-Spark Plug
271	691028	Lever-Control	404	691691	Washer (Governor Crank)	643	698401	Retainer-Air Filter
276	●692255	Washer-Sealing	431	697122	Elbow-Intake	654	690958	Nut (Carburetor)
276A	695410	Washer-Sealing	445	698083	Filter-Air Cleaner Cartridge (Non Washable)	691	★692407	Seal-Governor Shaft
304	698599	Housing-Blower (Black) Used on Type No(s). 0111, 0112, 0113. ----- Note ----- 698402 Housing- Blower (Red) Used on Type No(s). 0372, 0384.	462	691261	Washer (Starter Cable)	692	690572	Spring-Detent
305	697102	Screw (Blower Housing)	474A	696459	Alternator (Dual Circuit) Used on Type No(s). 0372, 0384.	697	690372	Screw (Drive Cap)
305A	697103	Screw (Blower Housing)	474B	696457	Alternator (Tri Circuit) Used on Type No(s). 0111, 0112, 0113.	718	690959	Pin-Locating
306	697107	Shield-Cylinder	501	691185	Regulator	729	691335	Clip-Wire (Wire Saddle)
307	691003	Screw (Cylinder Shield)	503	691532	Strap-Starter	729A	691224	Clip-Wire (Aluminum Coated Steel)
309	693551	Motor-Starter	505	691251	Nut (Governor Control Lever)	729B	694123	Clip-Wire (Nylon)
310	690323	Bolt (Starter Motor)	510	693699	Drive-Starter	741	697128	Gear-Timing
311	497608	Brush Set	513	692024	Clutch-Drive	757	793242	Link-Counterweight
333	492341	Armature-Magneto	521	690581	Shield-Cable	758	697134	Counterweight
334	691061	Screw (Magneto Armature)	523	699908	Dipstick	759	697392	Pin-Counterweight
337	491055	Plug-Spark Used on Type No(s). 0111, 0112, 0113, 0372. ----- Note ----- 691043 Plug-Spark Used on Type No(s). 0384.	524	★691032	Seal-Dipstick Tube	783	693713	Gear-Pinion
			525	697184	Tube-Dipstick	789	692037	Harness-Wiring Used on Type No(s). 0111, 0112, 0113.
			526	697348	Screw (Regulator)	789A	698329	Harness-Wiring Used on Type No(s). 0372, 0384.
			544	692034	Armature-Starter	797	693167	Nut (Brush Retainer)
			552	697144	Bushing-Governor Crank	801	691283	Cap-Drive
			559	697561	Screw (Remote Choke Stop) Used on Type No(s). 0384.	802	691286	Cap-End
			562	691119	Bolt (Governor Control Lever)	803		Housing-Starter (Not Serviced Separately, Order Starter Motor 693551)
			579	691029	Nut (Starter Cable)	830	691095	Stud-Rocker Arm
			584	697112	Cover-Breather Passage	842	★691031	Seal-O Ring (Dipstick Tube)
			601	95162	Clamp-Hose	847	790442	Dipstick/Tube Assembly
			614	691620	Pin-Cotter	851	692424	Terminal-Spark Plug
						868	Δ★690968	Seal-Valve
						877	393456	Wire/Connector- Alternator (Dual Circuit) Used on Type No(s). 0372, 0384.

★ Included in Engine Gasket Set-Ref. No.358.

● Included in Carburetor Overhaul Kit-Ref. No. 121 or 121A.

◆ Included in Carburetor Gasket Set-Ref. No. 977.

Δ Included in Valve Gasket Set-Ref. No 1095.

Illustrations cover a range of engines. Parts shown without corresponding text may not be used on your specific engine.

281H00

REF. NO.	PART NO.	DESCRIPTION	REF. NO.	PART NO.	DESCRIPTION	REF. NO.	PART NO.	DESCRIPTION
877B	393537	Wire/Connector–Alternator (Tri Circuit) Used on Type No(s). 0111, 0112, 0113.	987	●691326	Seal–Throttle Shaft	1058	276394	Operator’s Manual
878	691237	Harness–Alternator (Dual Circuit) Used on Type No(s). 0372, 0384.	987A	●698777	Seal–Throttle Shaft	1059	698516	Kit–Screw/Washer
878A	691955	Harness–Alternator (Tri Circuit) Used on Type No(s). 0111, 0112, 0113.	1005	699043	Fan–Flywheel	1070	690372	Screw (Flywheel Fan)
914	691108	Screw (Rocker Cover)	1022	Δ★272475	Gasket–Rocker Cover	1090	691293	Retainer–Brush
947	694393	Solenoid–Fuel	1023	692492	Cover–Rocker	1091	691333	Cap–Limiter
947A	699915	Solenoid–Fuel	1026	692003	Rod–Push (Intake) ----- Note ----- 692011 Rod–Push (Exhaust)	1095	691581	Gasket Set–Valve
950	691657	Screw–Float Bowl	1029	691751	Arm–Rocker	1119	691183	Screw (Alternator)
967	697015	Filter–Pre Cleaner	1034	690822	Guide–Push Rod	1127	695407	Screw (Float Bowl)
968	698403	Cover–Air Cleaner	1036		Label–Emission (Available from an Authorized Briggs & Stratton Service Dealer)	1263	697124	Reed–Breather
975	495933	Bowl–Float	1040	698368	Plate–Trim	1264	697104	Screw (Breather Reed)
975A	699502	Bowl–Float	1044	698139	Screw (Flywheel)	1266	★●691917	Seal–O Ring (Intake Elbow)
977	690192	Gasket Set–Carburetor	1051	691265	Ring–Retaining	1266A	●697123	Seal–O Ring (Intake Elbow)
			1054	280275	Tie–Cable	1267	697419	Latch–Blower Housing
						1270	697156	Plug–AVS Counterweight
						1330	272147	Repair Manual

★ Included in Engine Gasket Set–Ref. No.358.

● Included in Carburetor Overhaul Kit–Ref. No. 121 or 121A.

◆ Included in Carburetor Gasket Set–Ref. No. 977.

Δ Included in Valve Gasket Set–Ref. No 1095.

Illustrations cover a range of engines. Parts shown without corresponding text may not be used on your specific engine.