

# RotoFlex™ Pump

309793 A

## Part No. 234156

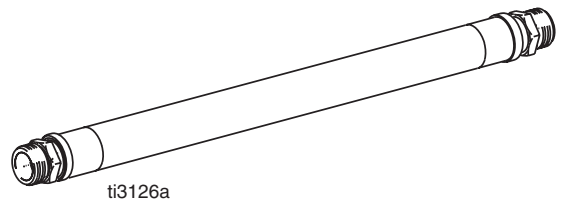
60 psi (4.1 bar) Maximum Working Pressure







### Pressure Relief Procedure

To reduce the risk of serious bodily injury, including electric shock and splashing fluid in eyes, follow this procedure whenever you stop spraying:

1. Shut OFF air source.
2. Disconnect power source.
3. Turn gun air valve ON.

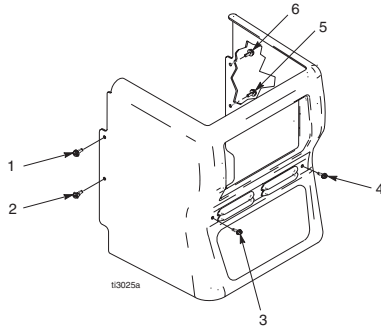


WARNINGS	
 	<p><b>Pressurized Equipment Hazard</b></p> <p>Fluid from gun, leaks or ruptured components can splash in the eyes or on skin and cause serious injury.</p> <ul style="list-style-type: none"> <li>• Follow <b>Pressure Relief Procedure</b> when you stop spraying and before cleaning, checking or servicing.</li> <li>• Wear protective clothing, gloves, and eyewear.</li> </ul>
	<p><b>Electric Shock Hazard</b></p> <p>To reduce the risk of electric shock:</p> <ul style="list-style-type: none"> <li>• Be sure sprayer is adequately grounded through electrical outlet.</li> <li>• Use only 3-wire, extension cords.</li> <li>• Make sure ground prongs are intact on sprayer and extension cords. Improper installation of grounding plug will result in a risk of electrical shock, fire or explosion that could cause serious injury or death.</li> <li>• Turn off sprayer. Follow <b>Pressure Relief Procedure</b> and unplug unit, before removing any parts.</li> </ul>
	<p><b>Pinch Hazard</b></p> <ul style="list-style-type: none"> <li>• Do not operate with cover removed.</li> <li>• Keep clear of moving parts.</li> </ul>

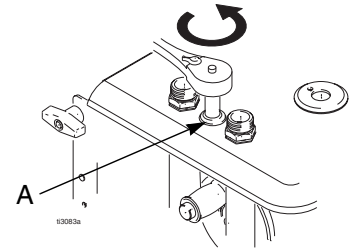
# RotoFlex Pump Repair Kit

## Disassembly

1. **Relieve Pressure**, page 1.
2. Unplug sprayer from outlet.
3. Remove shroud (6 bolts).

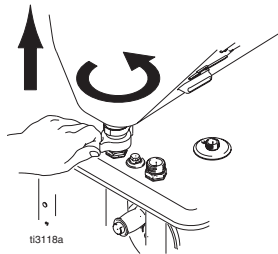


6. Loosen bolt (A) located between air and material hose outlets. Unscrew bolt to lower plate, leaving about 4-5 threads on bolt.

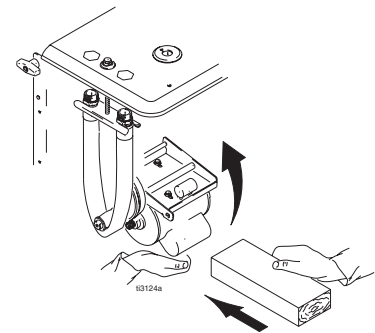


**DO NOT REMOVE BOLT COMPLETELY.**

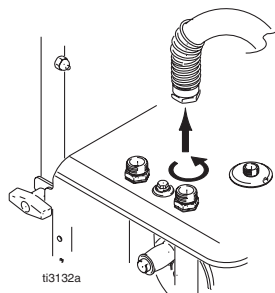
4. Remove hopper by loosening bottom fitting and then lifting hopper straight up, off unit.



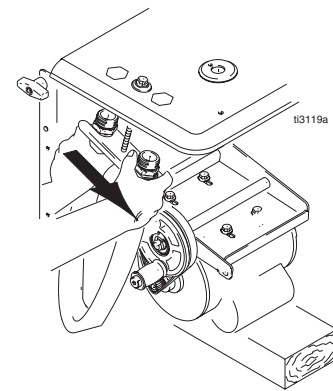
7. Slide a wood block under motor for support.



5. Remove material hose.



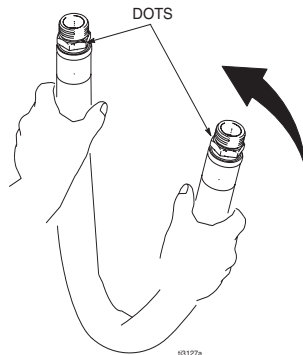
8. Rotate plate. Slide hose off by pushing outward on hose fittings.



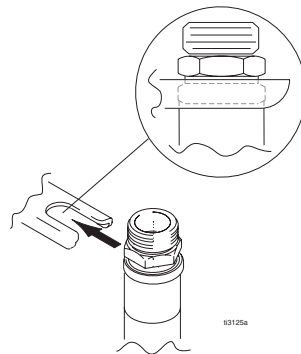
## Reassembly

Reinstall RotoFlex Pump hose on plate.

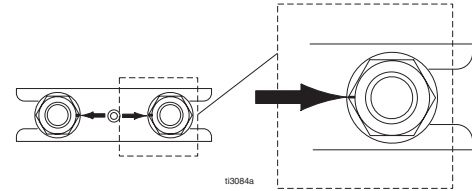
1. Kink hose as shown, making sure dots located on hose fitting face each other.



2. Slide hose onto plate as shown below, making sure plate slides into slot between hex fitting on end of hose.



3. Align dots located on hose fitting, making sure they are facing each other at all times to ensure the hose does not twist during reinstallation.



4. Reposition plate, aligning hex fittings with enclosure openings.
5. Remove wood block support under motor.
6. Tighten bolt. As bolt is tightened the plate will snug back into place.
7. Replace shroud (6 bolts).
8. Replace hopper.
9. Break in new pump by running dry or with warm water for 3-5 minutes.

All written and visual data contained in this document reflects the latest product information available at the time of publication.  
Graco reserves the right to make changes at any time without notice.

**Sales Offices:** Minneapolis, Detroit  
**International Offices:** Belgium, Korea, Hong Kong, Japan  
PRINTED IN USA 309793 1/2003