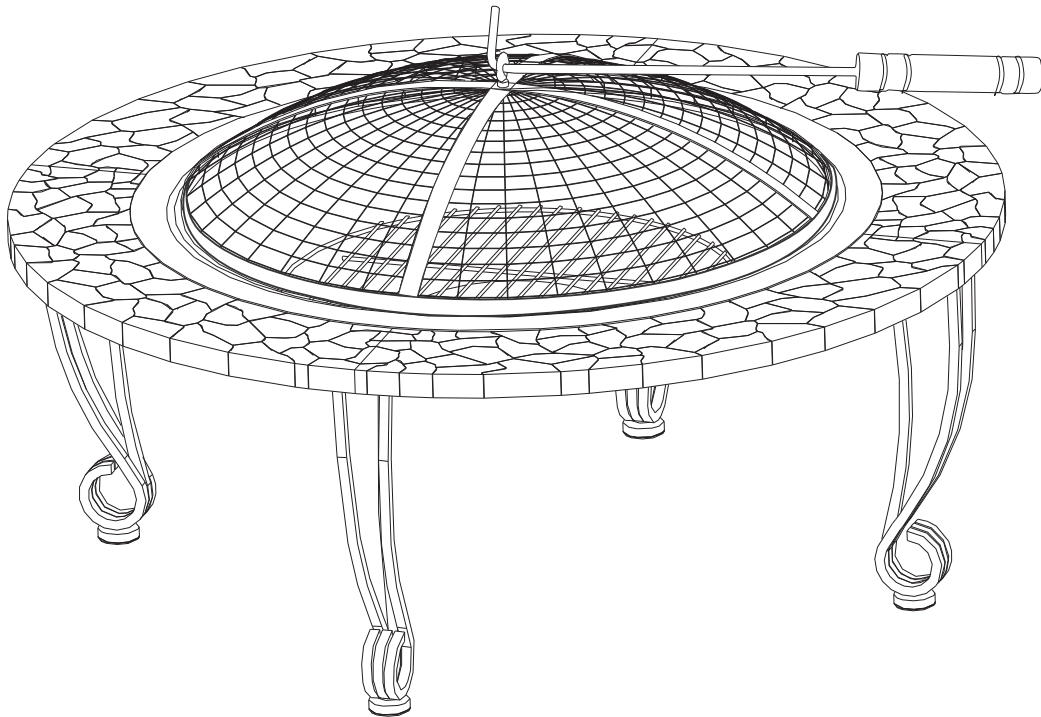


# Outdoor Fire Pit



 **WARNING**  
**FOR YOUR SAFETY:**  
**For Outdoor Use Only**  
(outside any enclosure)

-  **WARNING**  
**FOR YOUR SAFETY:**
1. Improper installation, adjustment, alteration, service or maintenance can cause injury or property damage.
  2. Read the installation, operation, and maintenance instructions thoroughly before installing or servicing this equipment.
  3. Failure to follow these instructions could result in fire or explosion, which could cause property damage, personal injury, or death.

Save these instructions for future reference.  
If you are assembling this unit for someone else, give this manual to him or her to read and save for future reference.

## Table of Contents

Important Safeguards .....	2
Exploded View & Hardware .....	3
Assembly Instructions .....	4
Operating Instructions .....	5
Lighting .....	5
Tending the Fire .....	5
Extinguishing .....	5
Cleaning and Care .....	5
Inspecting .....	5
Cleaning .....	5
Storing .....	5
Product Registration .....	5

# Outdoor Fire Pit



## **WARNING** FOR YOUR SAFETY

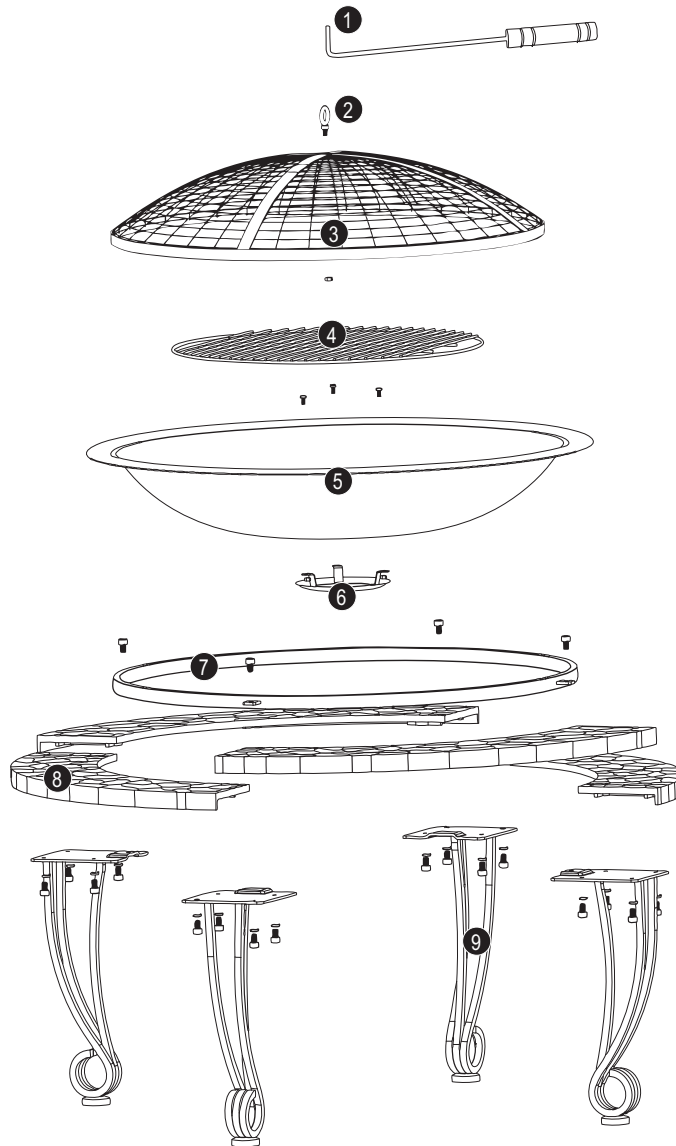
1. This appliance is for outdoor use only, and shall NOT be used in a building, garage, or any other enclosed area.
2. Do NOT use this outdoor fire pit for indoor heating. TOXIC carbon monoxide fumes can accumulate and cause asphyxiation.
3. This outdoor fire pit is NOT for commercial use.
4. This outdoor fire pit is NOT to be operated by children.
5. This outdoor fire pit is NOT to be used in or on boats or recreational vehicles.
6. Always use in accordance with all applicable local, state and national codes. Contact your local fire department for details on outdoor burning.
7. When using this outdoor fire pit, exercise the same precautions you would with any open fire.
8. The use of alcohol, prescription or non-prescription drugs may impair the consumer's ability to properly assemble or safely operate this outdoor fire pit.
9. Do NOT use this outdoor fire pit without reading the entire "Owner's Manual".
10. This outdoor fire pit is for use with dry, seasoned hardwood. It will burn hotter, more completely and create less smoke.
11. Do NOT burn charcoal briquets, lump charcoal, manufactured logs, driftwood, trash, leaves, paper, cardboard, plywood, painted or stained or pressure treated wood. Avoid using softwoods such as pine or cedar that can throw sparks.
12. Do NOT alter this outdoor fire pit in any manner.
13. Do NOT use this outdoor fire pit until it is COMPLETELY assembled and all parts are securely fastened and tightened.
14. Do NOT store or use gasoline or other flammable vapors or liquids in the vicinity of this or any other appliance.
15. Do NOT store or use an LP gas cylinder within 10 feet (3.05 m) of this outdoor fire pit while it is in operation.
16. Do NOT use this outdoor fire pit near automobiles, trucks, vans or recreational vehicles.
17. Do NOT use in an explosive atmosphere. Keep outdoor fire pit area clear and free from combustible materials, gasoline and other flammable liquids.
18. Do NOT use this outdoor fire pit under any overhead or near any unprotected combustible constructions. Avoid using near or under overhanging trees and shrubs.
19. Always use this outdoor fire pit on a hard, level non-combustible surface such as concrete, rock or stone. An asphalt or blacktop surface may not be acceptable for this purpose. Do NOT use on wooden decks.
20. Always empty this outdoor fire pit before each use. Leave a thin layer of ash to protect the bottom.
21. Do NOT wear flammable or loose clothing when operating this outdoor fire pit.
22. Do NOT use in windy conditions.
23. Do NOT use this outdoor fire pit unless spark guards are securely in place.
24. Do NOT use gasoline, kerosene, diesel fuel, lighter fluid or alcohol to light or relight fires.
25. Keep all electrical cords away from a hot fire pit.
26. All surfaces of this outdoor fire pit are hot when in operation. To avoid burns, do NOT touch fire pit until it has completely cooled unless you are wearing protective gear (Potholders, gloves, BBQ mittens, hot pads & etc.). Never touch ashes or coals to see if they are hot.
27. Do NOT leave a lit outdoor fire pit unattended, especially around children and pets.
28. Do NOT attempt to move or store this outdoor fire pit until all ashes and coals are completely extinguished.
29. Do NOT remove ashes or coals until they are completely and fully extinguished.
30. Use heat-resistant gloves or hot pads when contacting handles.
31. Use long, sturdy fire pit tools when adding or moving logs.
32. Do NOT place wood directly into bottom of the outdoor fire pit. Place wood only on the wood grid.
33. Do NOT overload the fire pit. Do not add additional firewood until the fire burns down. NOTICE: If any portion of the bowl, lid or spark guards of this outdoor fire pit are glowing red it is overloaded.
34. Do NOT lean over this outdoor fire pit when lighting or when in use.
35. Do NOT place a hot spark guard or hot fire pit tools onto combustible surfaces such as grass, wooden deck or furniture.
36. Avoid breathing smoke from the fire and avoid getting it into your eyes.
37. This outdoor fire pit should be thoroughly inspected and cleaned on a regular basis.
38. After a period of storage and/or non-use, check for signs of damage and creosote build-up. Do NOT operate until necessary repairs and/or cleanup are executed.
39. Deaths, serious injury or damage to property may occur if the above is not followed exactly.

# Outdoor Fire Pit



## Exploded View

1. Fire tool
2. Handle
3. Spark Arrestor
4. Wood Grate
5. Bottom Bowl
6. Ash Receiver
7. Bowl Support
8. Hearth (4)
9. Leg (4)



### Hardware / Actual Size

- A. Screw 3 pcs

M5x10 Phillips Truss Head Screw



- B. Socket head Screw 20 pcs

M8 Black Nickel Plated Hex Screw



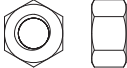
- C. Small Nut 3 pcs

M5 Black Nickel Plated Hex Nut



- D. Large Nut 1 pc

M6 Black Nickel Plated Hex Nut



- E. Lock Washer 16 pcs

M8 Black Nickel Plated Lock Washer

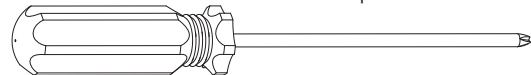


- F. 6mm Allen Wrench\* 1 pc



### Additional Hardware Needed:

- G. Screwdriver\* 1 pc



\*Not shown at actual size.

# Outdoor Fire Pit



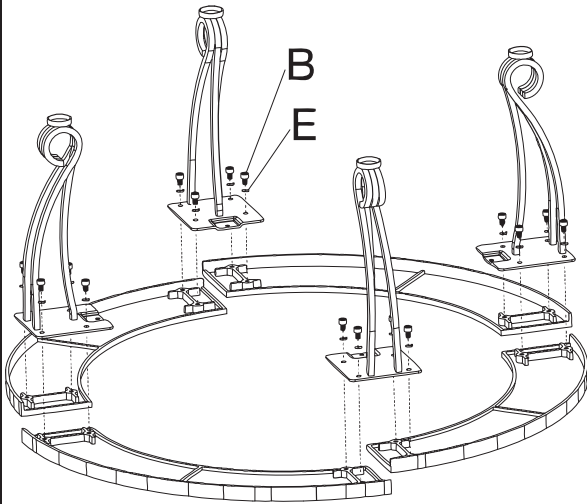
## Assembly Instructions

For Easiest Assembly:

- To avoid losing any small components or hardware, assemble your product on a hard level surface that does not have cracks or openings.
- Clear an area large enough to layout all components and hardware.
- When applicable, tighten all hardware connections by hand first. Once the step is completed go back and fully tighten all hardware.
- Follow all steps in order to properly assemble your product.

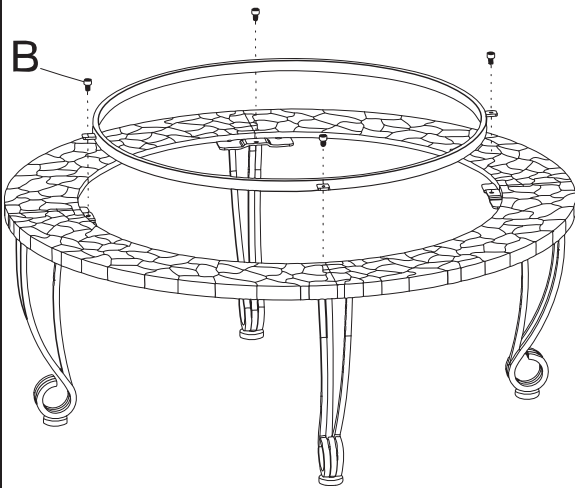
### Step 1 Assemble legs

Attach legs to hearth using 16 sets of hex screws (B) and lock washers (E).



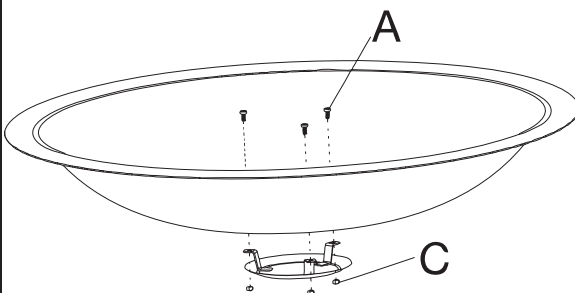
### Step 2 Attach bowl support

Attach bowl support to legs using 4 hex screws (B).



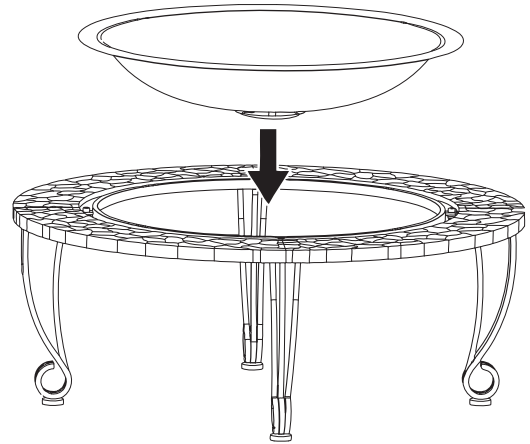
### Step 3 Assemble bottom bowl

Attach ash receiver to bottom bowl using 3 sets of screw (A) and small nut (C).



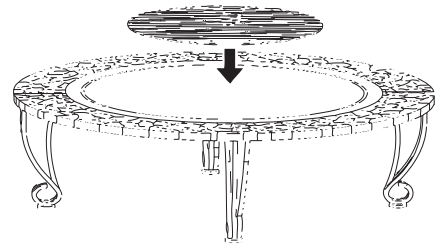
### Step 4 Insert bottom bowl

Insert bottom bowl onto bowl support.



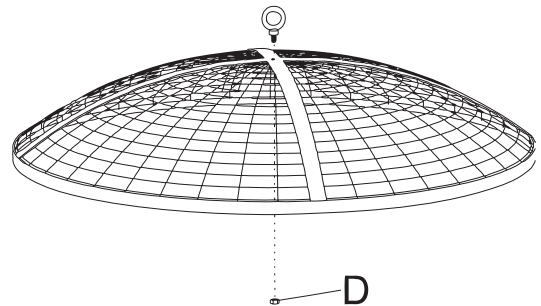
### Step 5 Insert wood grate

Insert wood grate into bottom bowl.



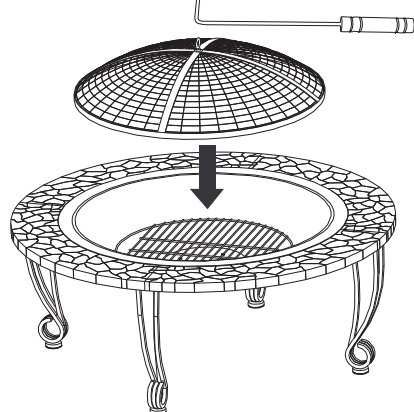
### Step 6 Assemble spark arrestor

Attach the handle to spark arrestor using large nut (D).



### Step 7 Place spark arrestor

- A. Place spark arrestor onto bottom bowl.
- B. Use fire tool to remove and replace spark arrestor.



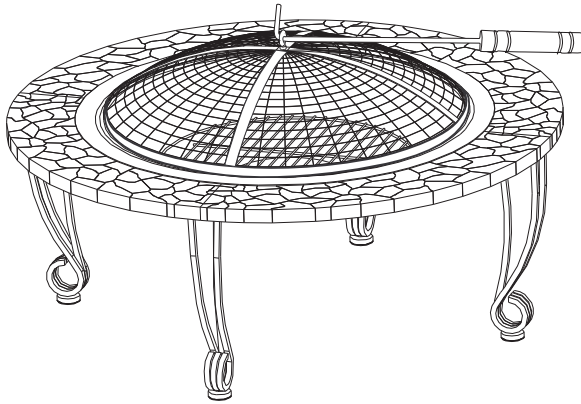
# Outdoor Fire Pit



## Step Completed

# 8

Congratulations your assembly is now complete. Read Operating Instructions before proceeding.



## Operating Instructions



### **WARNING** FOR YOUR SAFETY

Before using this outdoor fire pit, make sure you have read, understand and are following all information provided in the Important Safeguards presented on page 1. Failure to follow those instructions can cause death, serious injury or property damage.

### Lighting

1. Make sure there is only a small amount of ash in the bottom of the bowl.
2. Place a layer of dry kindling or a natural firestarter such as Fatwood™ onto the center of the grate.
3. Place above that a layer of dry seasoned hardwood that is cut to lengths no more than 3/4 the diameter of the bowl.
4. Use a match to light kindling or firestarter.
5. Replace spark arrestor by using the fire tool once the kindling or firestarter is lit.

### Tending the Fire

You may need to shift and/or add logs for an ideal experience.

#### Reminders:

- Always wear protective gloves or a pot holder when tending a fire.
  - Wait until glowing coals have developed before adding any additional wood.
  - Do NOT add gasoline, kerosene, diesel fuel, lighter fluid or alcohol to relight or enhance an existing fire.
1. Carefully remove spark arrestor by using the fire tool.
  2. While using a long handled fireplace tool, shift coals and logs to allow additional airflow.
  3. If additional wood is required, place wood on top coals. Be careful not to shift ashes.
  4. Replace spark arrestor by using the fire tool.

### Extinguishing

1. Allow fire to burn itself out.
2. Do NOT use water to extinguish as this is dangerous and can cause damage to this outdoor fire pit.

## Cleaning & Care

### Inspecting

This outdoor fire pit should be inspected on a regular basis to ensure product safety and longer product life.

**Do NOT attempt to inspect this outdoor fire pit until the fire is COMPLETELY out.**

1. Check handles to make sure they are secure.
2. Check components for any signs of damage or rust.
3. If damage to any component is detected, do NOT operate until repairs are executed.

### Cleaning

This outdoor fire pit should be cleaned on a regular basis to promote safer experiences and longer product life.

Note: After repeated use, a slight discoloration of the finish may occur.

**Do NOT attempt to clean this outdoor fire pit until the fire is COMPLETELY out.**

**Do NOT use oven cleaner or abrasive cleaners as they will damage this product.**

**Do NOT clean any part of this outdoor fire pit in a self cleaning oven as it may damage the finish.**

1. Wipe exterior surfaces with a mild dishwashing detergent or baking soda.
2. For stubborn surfaces use a citrus based degreaser and a nylon scrubbing brush.
3. Rinse clean with water.
4. Remove built-up creosote from components with a chimney cleaning product.

### Storage

Do NOT move or store this outdoor fire pit until the fire is COMPLETELY out.

1. Once the fire is out, coals are cold and outdoor fire pit is cool to the touch, remove ashes and properly dispose.
2. Cover outdoor fireplace with a durable vinyl cover designed to fit this unit.
3. Store assembled in a location away from children and pets.

Note: If you do not use a cover, store this outdoor fire pit in a dry location to maximize product life.

Distributed by Well Traveled Living  
Amelia Island, FL  
Customer Service: 1-866-985-7877(1-866-WTL-SUPP)  
Email: [cservice@welltraveled.net](mailto:cservice@welltraveled.net)



**Distributed By:**

Well Traveled Living  
716 S 8<sup>th</sup> Street  
Amelia Island, FL 32034  
Toll Free: 866-WTL-SUPP



Web: [www.wtliving.com](http://www.wtliving.com)  
Email: [cservice@welltraveled.net](mailto:cservice@welltraveled.net)

**1 YEAR LIMITED WARRANTY – Customers in the Continental US**

All components are warranted for a period of 1 year after date of purchase by the original owner against defects in materials and workmanship under normal use. This warranty does NOT cover normal wear and weathering, assembly and/or maintenance OR use in a commercial application. At Well Traveled Living's sole discretion, products under warranty will be repaired and/or replaced at no charge to the customer. Any returns sent back to Well Traveled Living must be sent via prepaid freight and in the original retail packaging.

For warranty service contact Well Traveled Living at the address, phone numbers or internet site and email listed in this owner's manual. Be sure to have your sales receipt, date of purchase and catalogue/model numbers available when calling. All warranty service will be coordinated by the Well Traveled Living's, Amelia Island, Florida service center.

This warranty is extended only to the original purchaser. Proof of purchase will be required before warranty service is rendered. The sales receipt is the only valid proof of purchase. This warranty only covers failures due to defects in materials or workmanship which occur during normal use. Failures and/or damage which result from accident, negligence, misuse, abuse, neglect, mishandling, alteration or modification, failure to maintain, improper assembly or maintenance, service by unauthorized agency or use of unauthorized components or damage that is attributable to acts of God are NOT covered.

**\*\*\*THERE ARE NO EXPRESS WARRANTIES EXCEPT AS LISTED ABOVE\*\*\***

**\*\*\*PURCHASER ASSUMES ALL RISKS IN THE ASSEMBLY AND OPERATION OF THIS UNIT\*\*\***

**\*\*\*FAILURE TO FOLLOW WARNINGS AND OPERATIONAL INSTRUCTIONS CONTAINED IN THIS MANUAL CAN RESULT IN SEVERE PROPERTY DAMAGE AND/OR PERSONAL INJURY\*\*\***

**IN NO EVENT WILL WELL TRAVELED LIVING, OR ITS DIRECTORS, OFFICERS OR AGENTS BE LIABLE TO THE PURCHASER OR ANY THIRD PARTY, WHETHER IN CONTRACT, IN TORT, OR ON ANY OTHER BASIS, FOR ANY INDIRECT, SPECIAL, PUNITIVE, EXEMPLARY, CONSEQUENTIAL, OR INCIDENTAL LOSS, COST, OR DAMAGE ARISING OUT OF OR IN CONNECTION WITH THE SALE, MAINTENANCE, USE, OR INABILITY TO USE THE PRODUCT, EVEN IF WELL TRAVELED LIVING OR ITS DIRECTORS, OFFICERS OR AGENTS HAVE BEEN ADVISED OF THE POSSIBILITY OF SUCH LOSSES, COSTS OR DAMAGES, OR IF SUCH LOSSES, COSTS, OR DAMAGES ARE FORESEEABLE. IN NO EVENT WILL WELL TRAVELED LIVING, OR ITS OFFICERS, DIRECTORS, OR AGENTS BE LIABLE FOR ANY DIRECT LOSSES, COSTS OR DAMAGES THAT EXCEED THE PURCHASE PRICE OF THE PRODUCT.**

**SOME JURISDICTIONS DO NOT ALLOW THE EXCLUSION OR LIMITATION OF INCIDENTAL OR CONSEQUENTIAL DAMAGES, SO THE ABOVE LIMITATION OR EXCLUSION MAY NOT APPLY TO THE PURCHASER.**

This limited warranty gives you specific legal rights and you may also have other rights which vary from jurisdiction to jurisdiction. The provisions of the United Nations Convention on Contracts for the Sales of Goods shall not apply to this limited warranty or the sale of products covered by this limited warranty.

**\*\*\*IMPORTANT NOTICE\*\*\***

-Do **NOT** return to place of purchase-  
For customer service and warranty issues  
contact our Customer Service Center at:  
(866)-985-7877 OR

Email: [cservice@welltraveled.net](mailto:cservice@welltraveled.net)

Customer Service Hours: Mon. – Fri. 9:00 a.m. – 6:00 p.m. (EST)